

US00D718655S

(12) **United States Design Patent**  
**Fischer**

(10) **Patent No.:** **US D718,655 S**  
(45) **Date of Patent:** **\*\* Dec. 2, 2014**

(54) **SQUARE SHAPED BABY TOOTH SETTING IN  
A SQUARE SHAPED METALLIC BEZEL ON A  
JEWELRY ARTICLE**

D668,576	S *	10/2012	Outland	.....	D11/79
D691,913	S *	10/2013	Outland	.....	D11/79
2002/0025392	A1	2/2002	Yardley et al.		
2003/0194678	A1	10/2003	Viltro et al.		
2008/0053149	A1	3/2008	Benos		
2012/0288644	A1	11/2012	Fischer		

(71) Applicant: **John G. Fischer**, Irving, TX (US)

(72) Inventor: **John G. Fischer**, Irving, TX (US)

(73) Assignee: **Shawdon, LP**, Irving, TX (US)

(\*\*) Term: **14 Years**

(21) Appl. No.: **29/450,330**

(22) Filed: **Mar. 16, 2013**

(51) **LOC (10) Cl.** ..... **11-01**

(52) **U.S. Cl.**  
USPC ..... **D11/86**

(58) **Field of Classification Search**  
CPC ..... A44C 5/02  
USPC ..... D11/1-2, 7, 40-44, 46-49, 53, 56, 57,  
D11/59-61, 63, 65, 79-83, 86-87, 89-90,  
D11/91-92, 99, 101, 106, 114-116,  
D11/200-201; 63/18-20

See application file for complete search history.

(56) **References Cited**

**U.S. PATENT DOCUMENTS**

5,755,116	A	5/1998	Sparacino et al.		
5,762,502	A	6/1998	Bahn et al.		
D397,064	S *	8/1998	Nelson	.....	D11/222
6,200,507	B1	3/2001	Dennis		
D545,240	S *	6/2007	Taussig	.....	D11/91
7,228,602	B2	6/2007	Weisbrot et al.		
8,226,877	B2	7/2012	Fischer		

**FOREIGN PATENT DOCUMENTS**

JP	2002-219009	8/2002
JP	2006-255367 A	9/2006
JP	2002-085124	8/2008
JP	2008-194384	8/2008
TW	2008-819092 A	5/2008

**OTHER PUBLICATIONS**

Human Teeth Jewelry, <http://www.stylelist.com/2007/05/22/human-teeth-jewelry>; published Aug. 22, 2007.

\* cited by examiner

*Primary Examiner* — Zenia Bennett

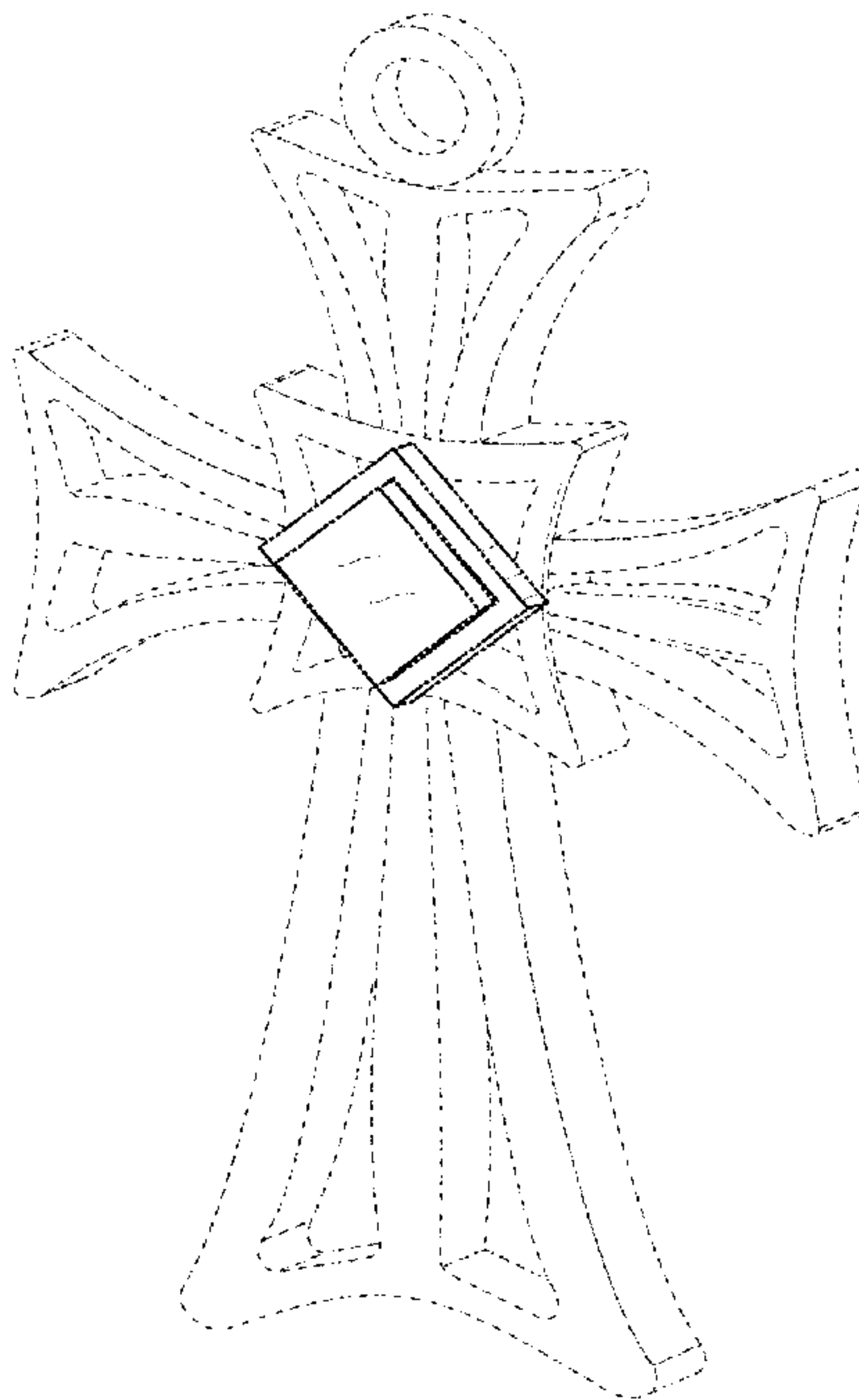
(57) **CLAIM**

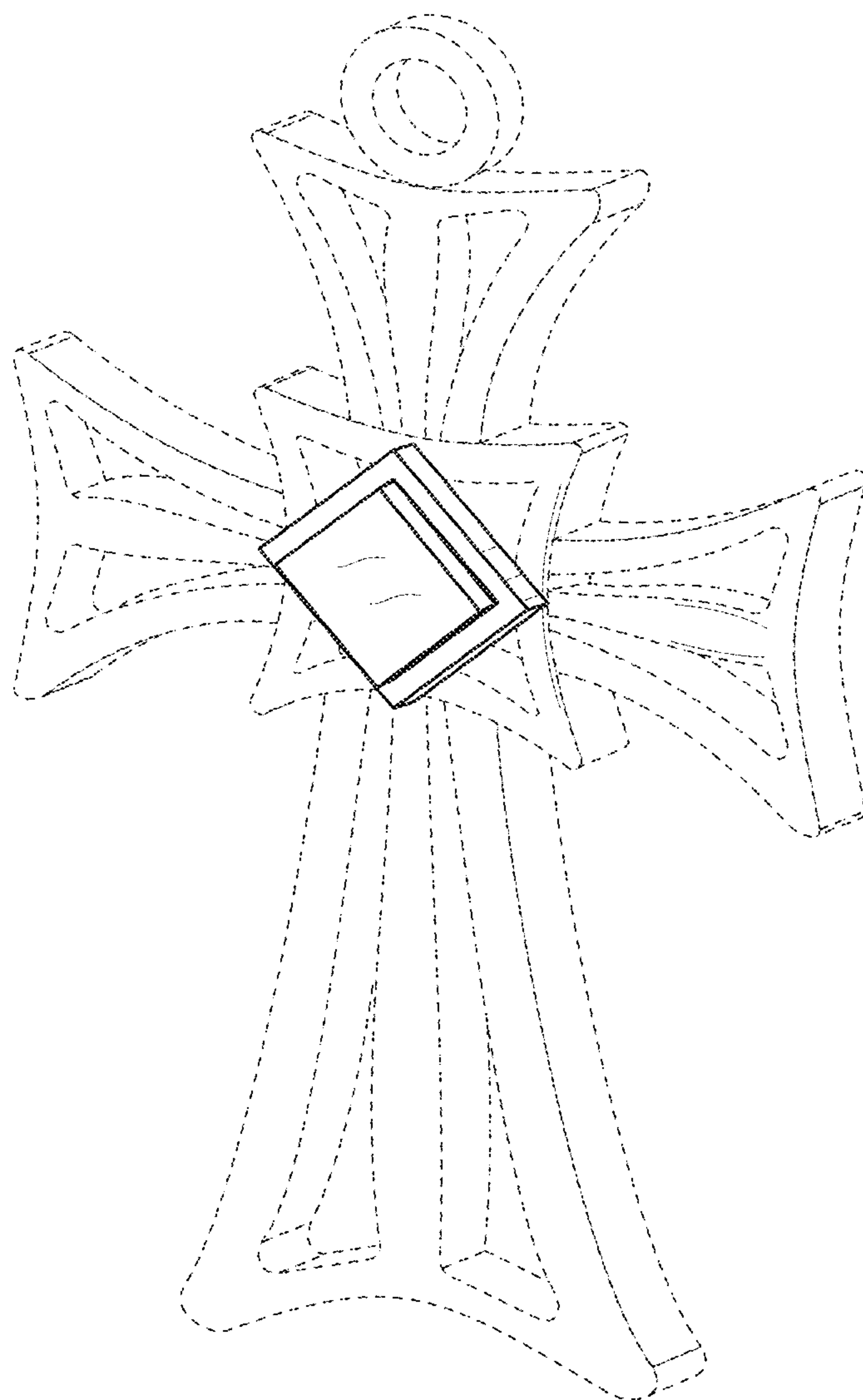
The ornamental design for a square shaped baby tooth setting in a square shaped metallic bezel on a jewelry article, as shown.

**DESCRIPTION**

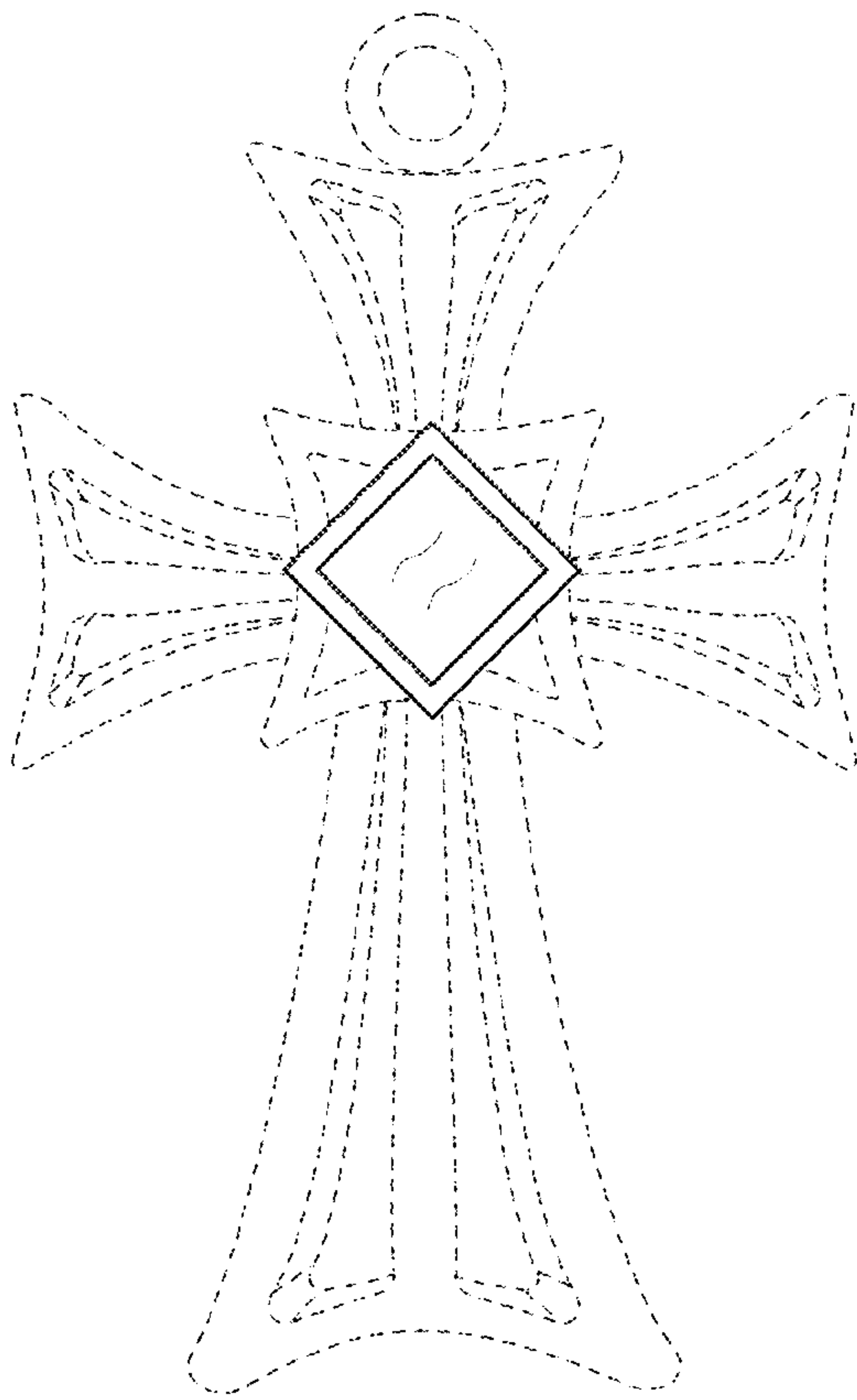
FIG. 1 is a perspective view thereof;  
FIG. 2 is front side perspective view thereof;  
FIG. 3 is a back side perspective view thereof;  
FIG. 4 is a right side perspective view thereof;  
FIG. 5 is a left side perspective view thereof;  
FIG. 6 is a top perspective view thereof; and,  
FIG. 7 is a bottom view of FIG. 1.

**1 Claim, 3 Drawing Sheets**

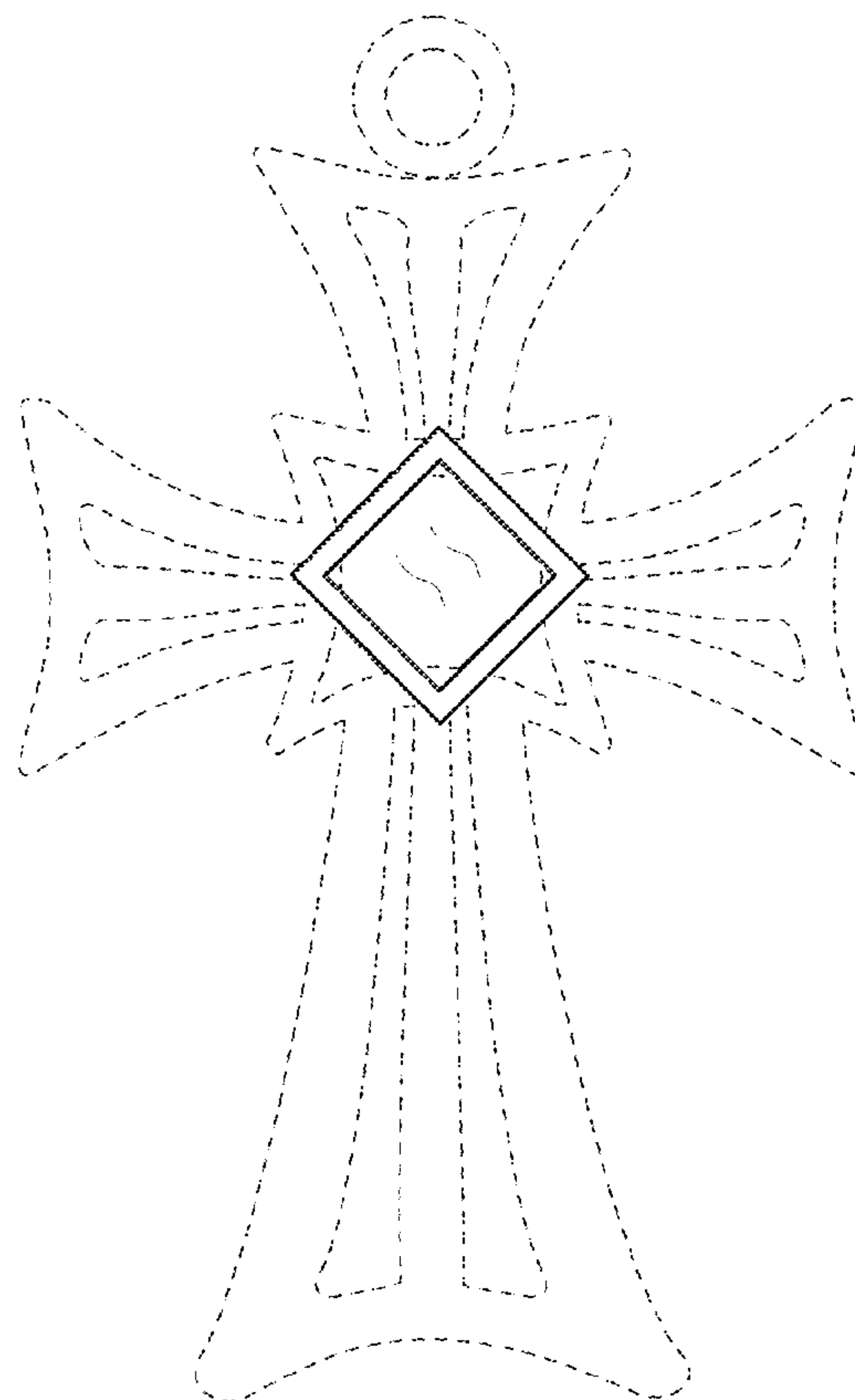




*FIG. 1*



*FIG. 2*



*FIG. 3*



FIG. 4



FIG. 5

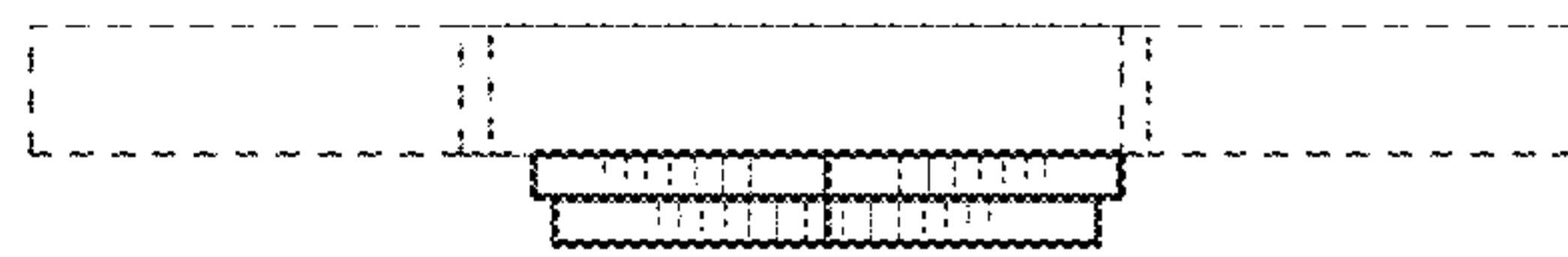


FIG. 6

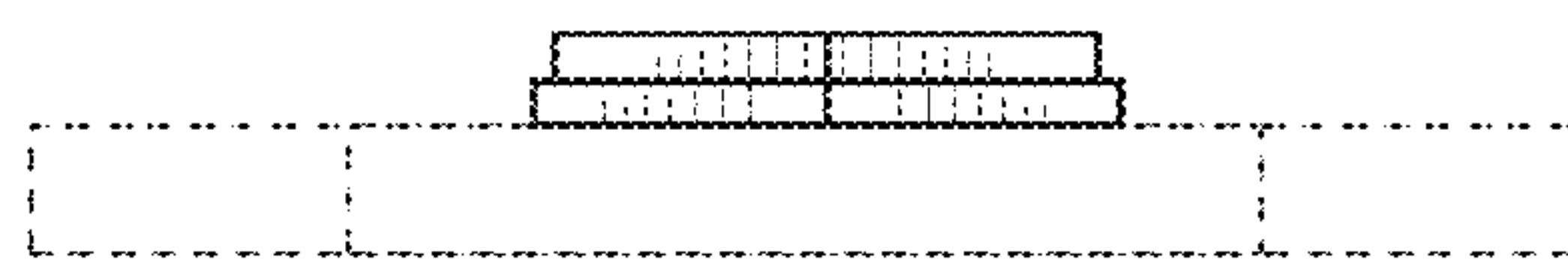


FIG. 7