



US00D718653S

(12) **United States Design Patent**  
**Attia**

(10) **Patent No.:** **US D718,653 S**  
(45) **Date of Patent:** **\*\* Dec. 2, 2014**

(54) **PENDANT**  
(71) Applicant: **Meir Nadav Attia**, Haifa (IL)  
(72) Inventor: **Meir Nadav Attia**, Haifa (IL)  
(\*\*) Term: **14 Years**  
(21) Appl. No.: **29/469,043**

D517,445 S \* 3/2006 Benarrouch ..... D11/96  
D519,053 S \* 4/2006 Meyer ..... D11/70  
D526,242 S \* 8/2006 Cavness ..... D11/157  
D536,381 S \* 2/2007 Cho ..... D20/23  
D569,300 S \* 5/2008 Glinberg ..... D11/96  
D572,166 S \* 7/2008 Freer-Heeter ..... D11/108  
D629,327 S \* 12/2010 Schanzer ..... D11/81  
D635,485 S \* 4/2011 Schanzer ..... D11/81  
D679,625 S \* 4/2013 McSwain ..... D11/96  
D691,216 S \* 10/2013 Drori ..... D21/444

(22) Filed: **Oct. 7, 2013**  
(51) **LOC (10) Cl.** ..... **11-01**  
(52) **U.S. Cl.**  
USPC ..... **D11/81**; D11/70  
(58) **Field of Classification Search**  
CPC ..... A44C 1/00; A44C 25/00; A44C 25/001;  
A44C 25/007; A44C 21/00; A44C 15/001;  
A44C 15/003  
USPC ..... D11/1, 204, 79-86, 33, 63-68, 95, 96,  
D11/70, 69, 97, 98, 99, 108, 124, 149;  
63/1.11, 18, 19, 20, 21, 22, 23, 35  
See application file for complete search history.

**OTHER PUBLICATIONS**

[online] [http://www.markdefrates.com/images/pentagram\\_yinyangsm.jpg](http://www.markdefrates.com/images/pentagram_yinyangsm.jpg). Retrieved Jul. 31, 2014.\*  
[online] <http://www.markdefrates.com/images/pentyylg.jpg>. Retrieved Jul. 31, 2014.\*

\* cited by examiner

*Primary Examiner* — Garth Rademaker  
*Assistant Examiner* — Melanie Pellegrini  
(74) *Attorney, Agent, or Firm* — Roach Brown McCarthy & Gruber, P.C.; Kevin D. McCarthy

(56) **References Cited**

(57) **CLAIM**  
The ornamental design for a pendant, as shown and described.

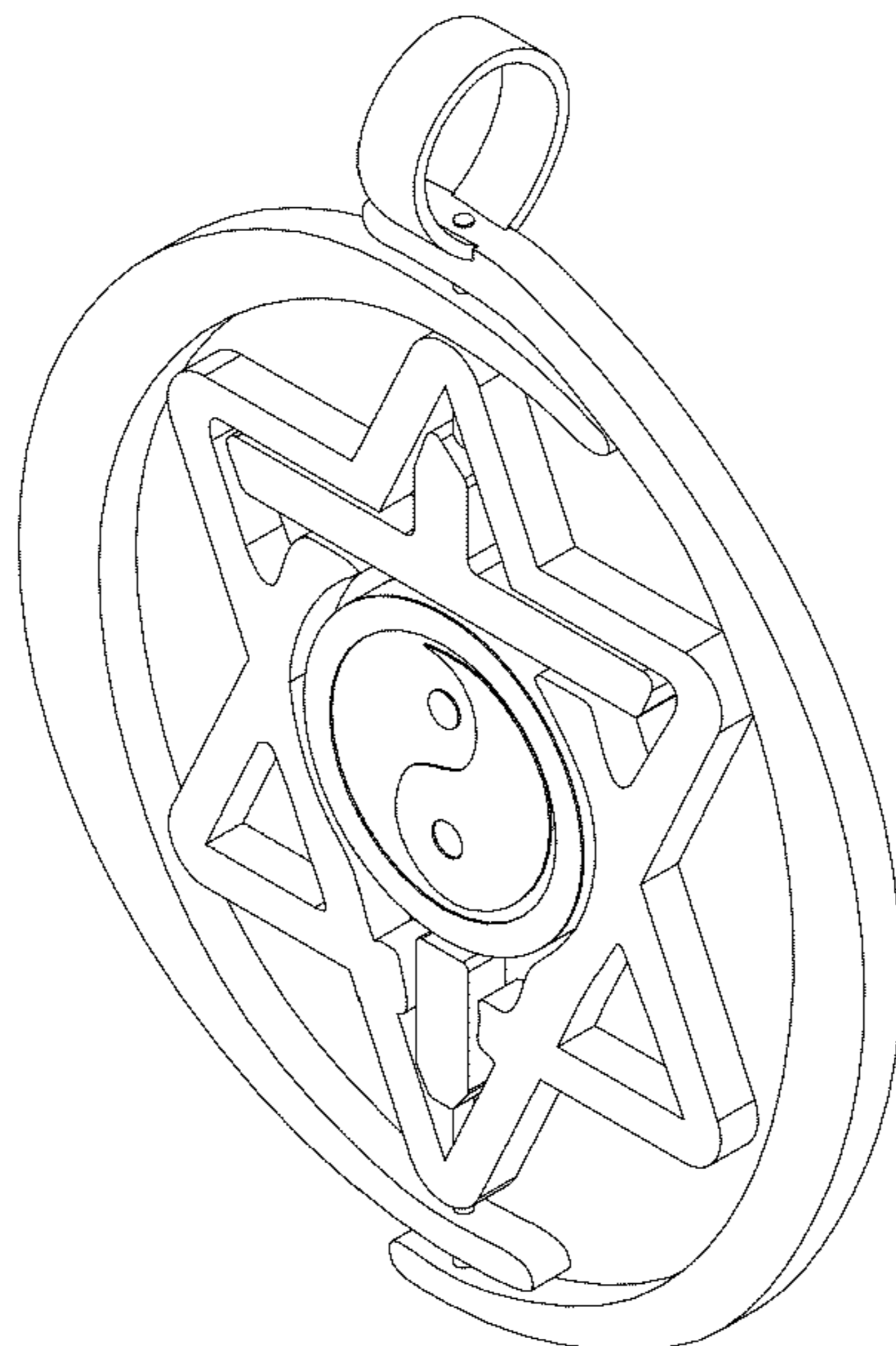
**U.S. PATENT DOCUMENTS**

**DESCRIPTION**

D66,529 S \* 2/1925 Denney ..... D11/79  
D67,032 S \* 4/1925 Hartline ..... D11/96  
D234,776 S \* 4/1975 Moskowitz et al. .... D11/96  
D243,346 S \* 2/1977 Samuels ..... D27/192  
D246,607 S \* 12/1977 Radisich ..... D99/25  
D250,518 S \* 12/1978 Friedman ..... D11/108  
D252,868 S \* 9/1979 Cunningham ..... D11/96  
D258,544 S \* 3/1981 Benedetto ..... D99/27  
D259,032 S \* 4/1981 Reyes ..... D11/70  
D299,579 S \* 1/1989 Jones ..... D99/27  
D367,436 S \* 2/1996 Bloch et al. .... D11/108  
D479,763 S \* 9/2003 Miller ..... D99/25

FIG. 1 is a perspective view of a pendant;  
FIG. 2 is a front view thereof;  
FIG. 3 is a rear view thereof;  
FIG. 4 is a top view thereof;  
FIG. 5 is a bottom view thereof;  
FIG. 6 is a right side view thereof; and,  
FIG. 7 is a left side view thereof.

**1 Claim, 7 Drawing Sheets**



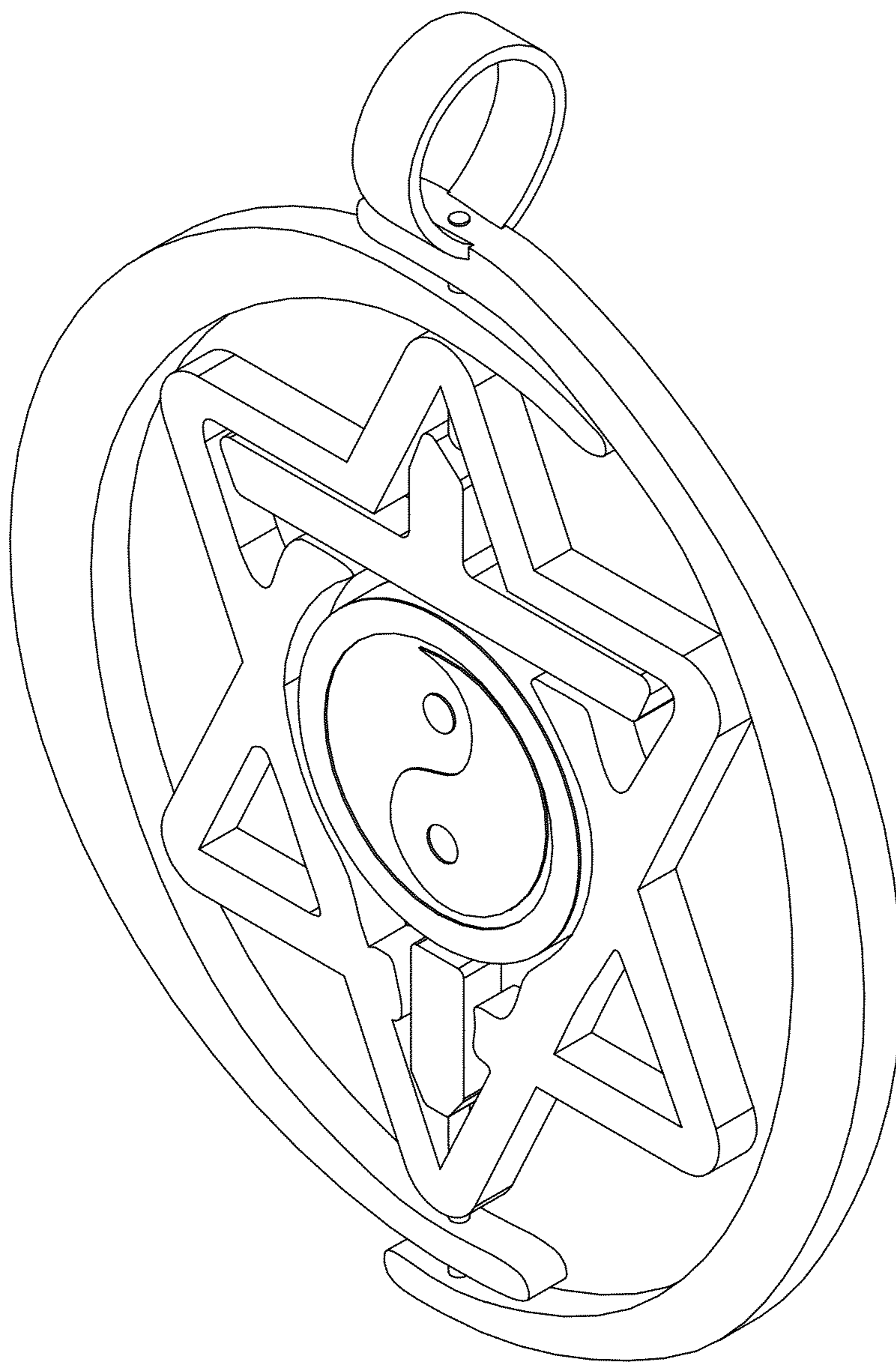


Fig. 1

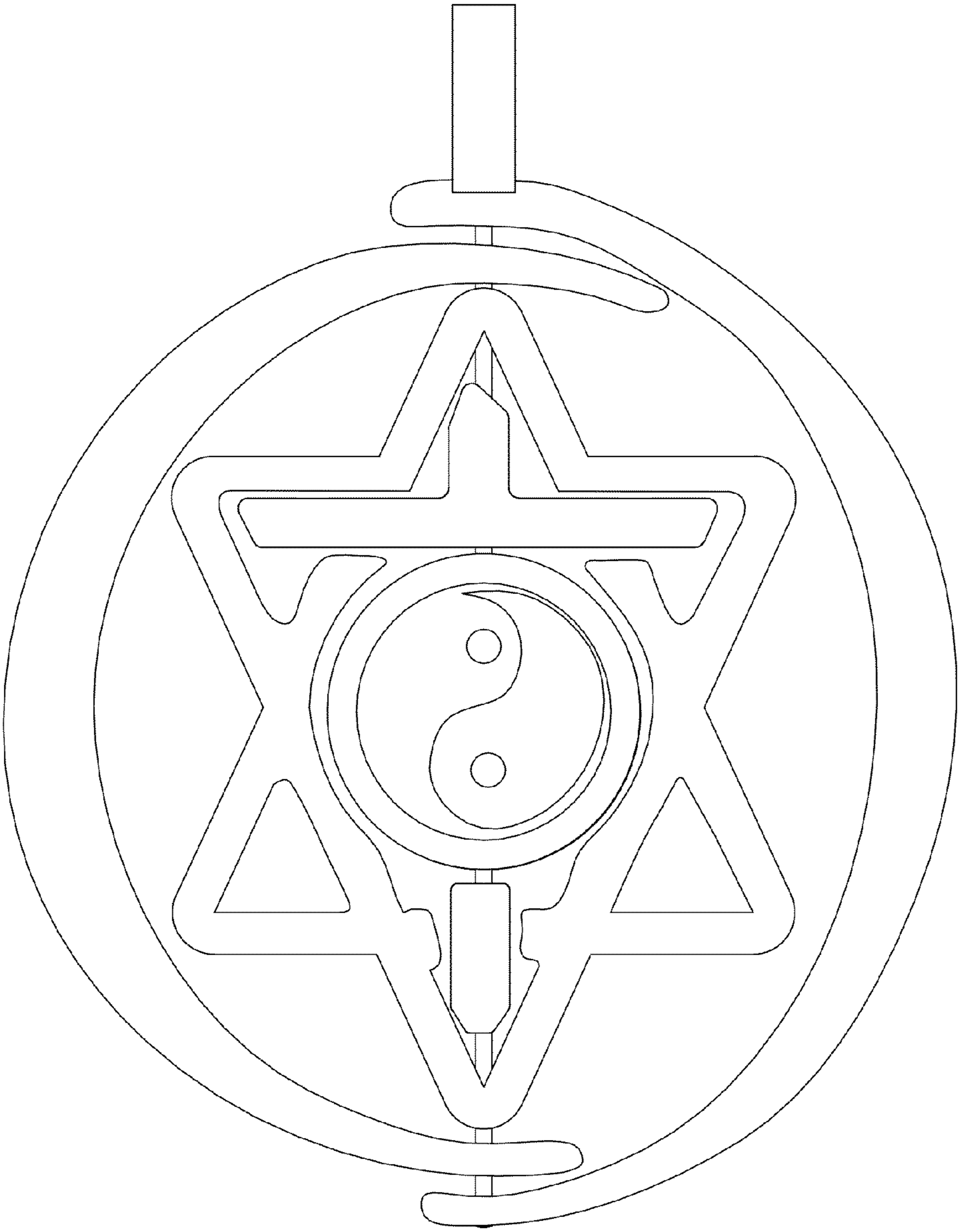


Fig. 2

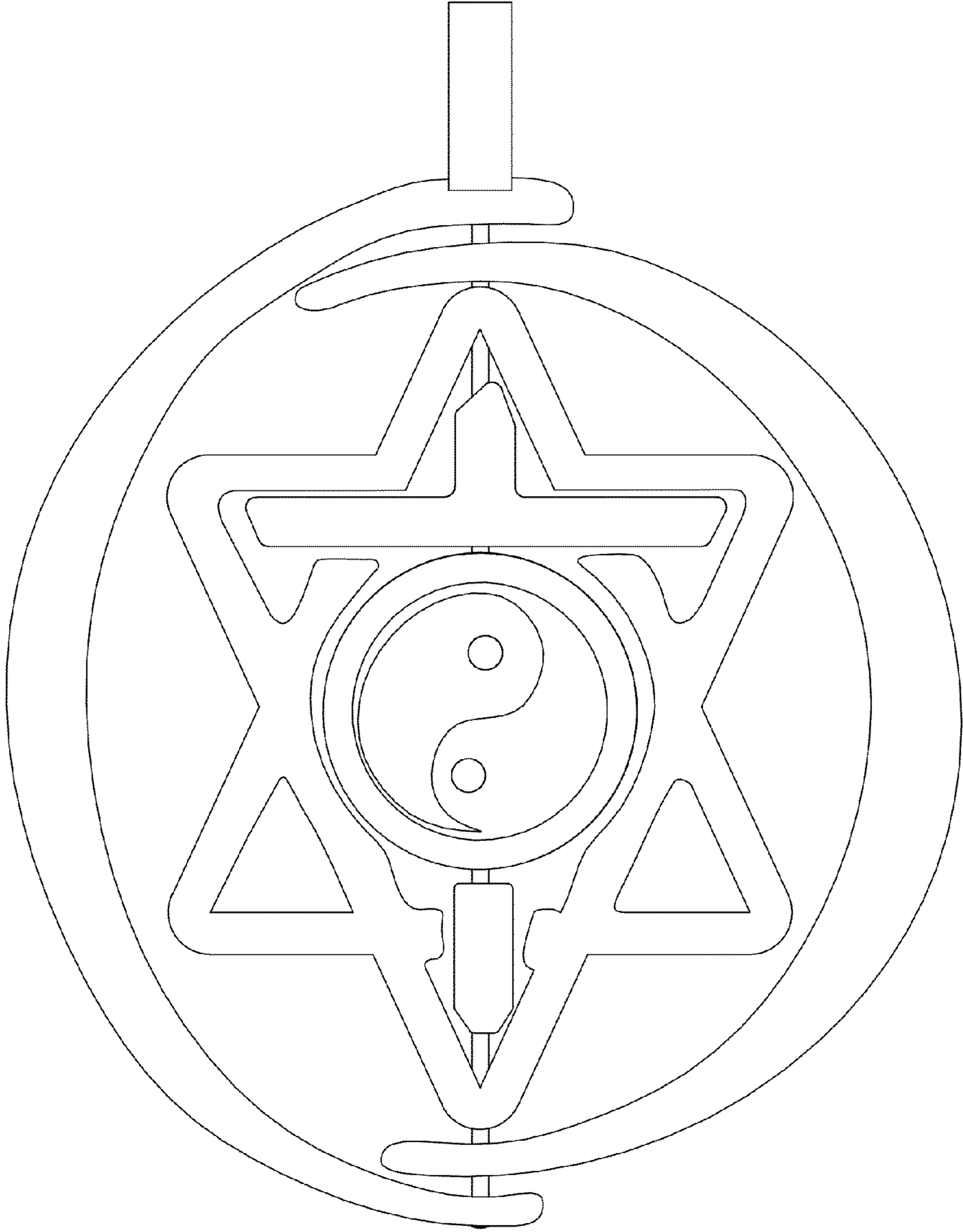


Fig. 3

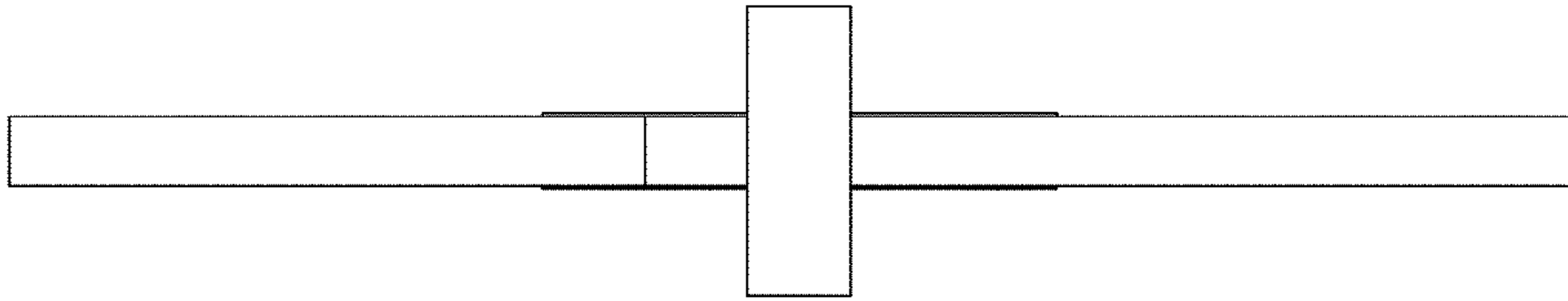


Fig. 4

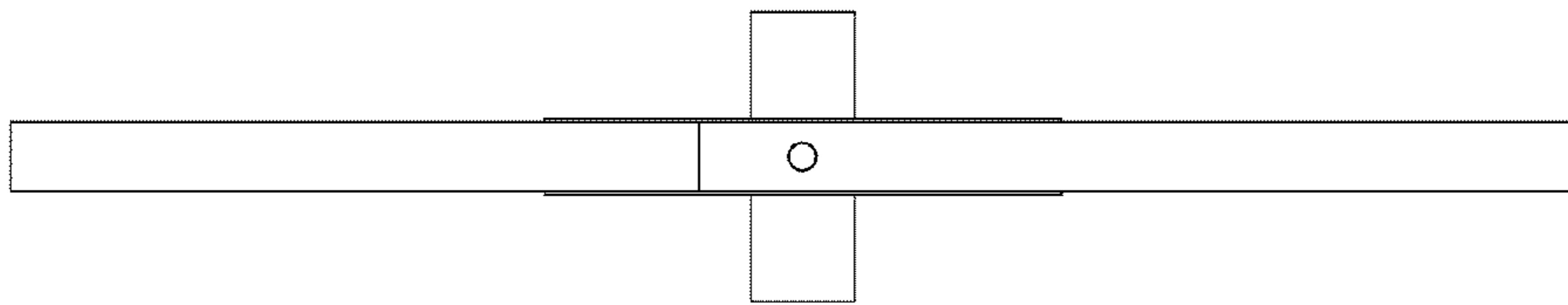


Fig. 5

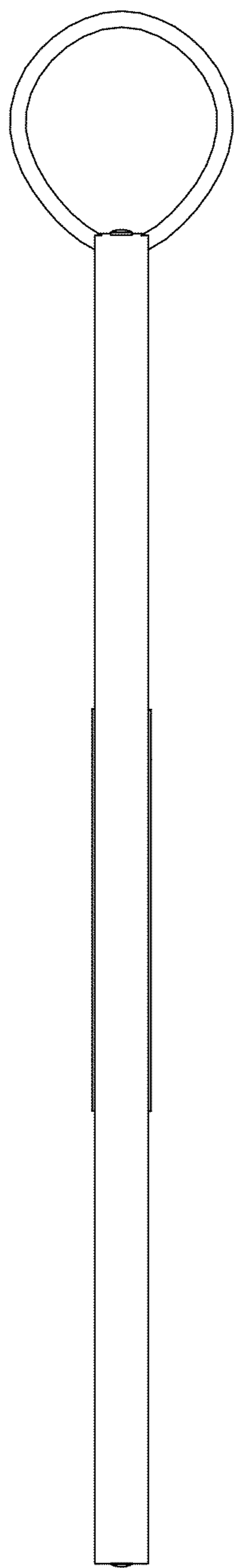


Fig. 6

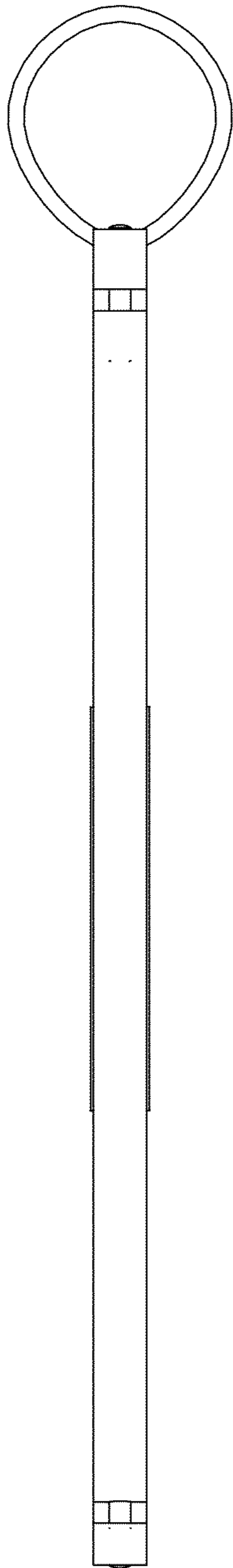


Fig. 7