



US00D718650S

(12) **United States Design Patent**
Weems

(10) **Patent No.:** **US D718,650 S**
(45) **Date of Patent:** **** Dec. 2, 2014**

(54) **EARRING**

(71) Applicant: **Origami Owl, LLC**, Chandler, AZ (US)
(72) Inventor: **Christian H. Weems**, Gilbert, AZ (US)
(73) Assignee: **Origami, Owl. LLC**, Chandler, AZ (US)
(**) Term: **14 Years**

(21) Appl. No.: **29/483,822**

(22) Filed: **Mar. 3, 2014**

(51) **LOC (10) Cl.** **11-01**

(52) **U.S. Cl.**
USPC **D11/42**

(58) **Field of Classification Search**
USPC D11/79-86, 90, 91, 92, 1, 2, 40-47, 16,
D11/7, 8; 63/1.11, 18-20, 26-28, 12, 13
See application file for complete search history.

(56) **References Cited**

U.S. PATENT DOCUMENTS

5,184,481	A *	2/1993	Joseph et al.	63/12
D374,837	S *	10/1996	Austin	D11/40
D393,604	S *	4/1998	Webber	D11/40
D418,079	S *	12/1999	Porcell	D11/40
D420,304	S *	2/2000	Porcell	D11/40
6,128,923	A *	10/2000	Brams	63/12
6,581,244	B1 *	6/2003	Peters	16/386
D481,646	S *	11/2003	Bonifacio	D11/40
7,121,118	B2 *	10/2006	David	63/13
7,128,751	B2 *	10/2006	Reil	606/188
2005/0120744	A1 *	6/2005	Kim	63/12
2013/0319044	A1 *	12/2013	Baik	63/12

OTHER PUBLICATIONS

[Online] <http://www.origamiowl.com/PWPSHOWProduct.ashx?ProgramProductId=4349&ProgramCategoryId=127>. Retrieved Sep. 4, 2014.*
[online] http://www1.macys.com/shop/product/inc-international-concepts-rose-gold-tone-disco-hoop-earrings?ID=1655506&CategoryId=55287&LinkType=fn=EARRINGS_STYLE%3DHoop%26sp%3D1%26spc%3D680%26rule-Id%3D%26slotId%3D10. Retrieved Sep. 4, 2014.*

* cited by examiner

Primary Examiner — Garth Rademaker
Assistant Examiner — Melanie Pellegrini
(74) *Attorney, Agent, or Firm* — The Noblitt Group, PLLC

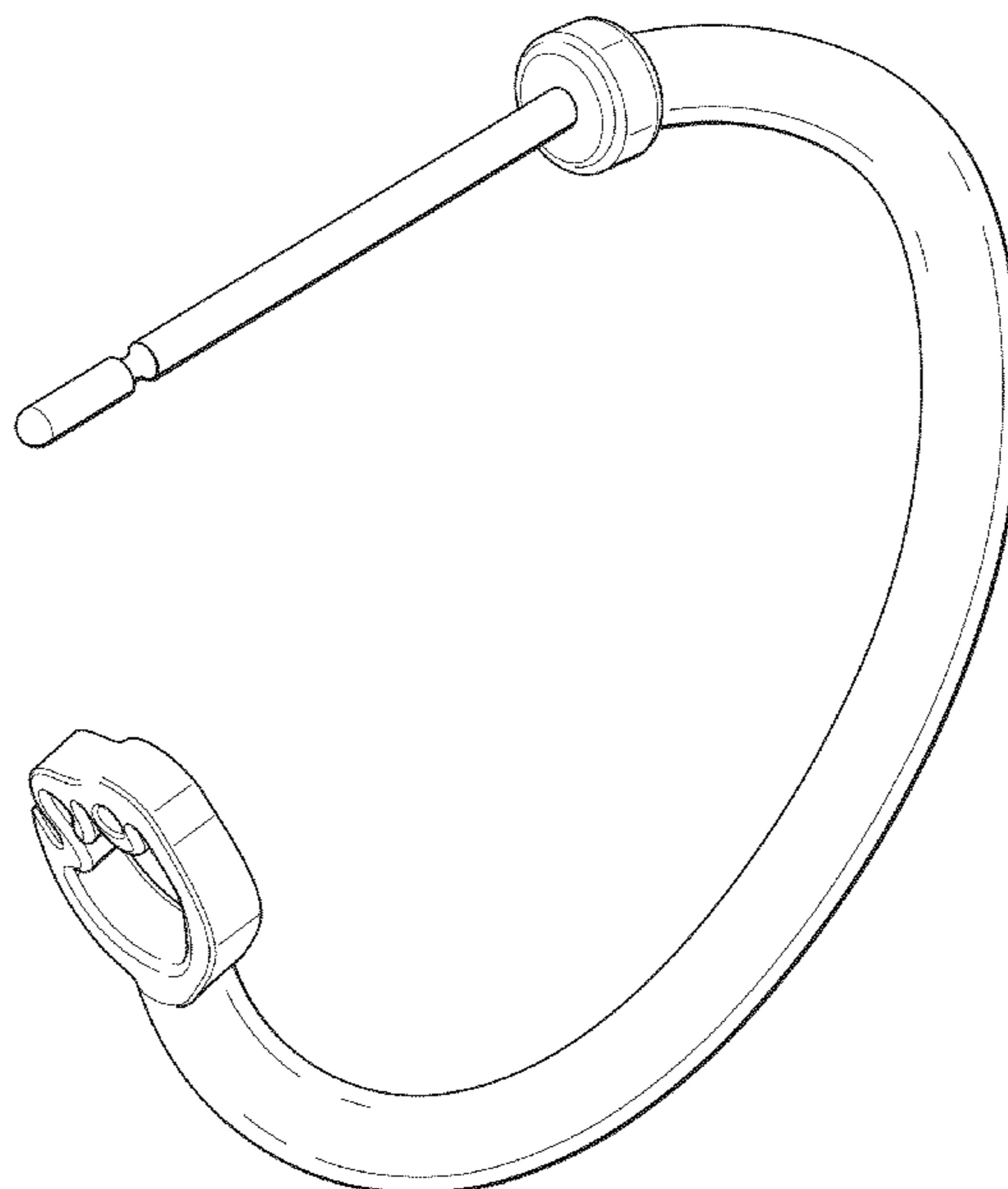
(57) **CLAIM**

The ornamental design for an earring, as shown and described.

DESCRIPTION

FIG. 1 is a perspective view of an earring;
FIG. 2 is a front view the earring shown in FIG. 1;
FIG. 3 is a back view the earring shown in FIG. 1;
FIG. 4 is a right side view of the earring shown in FIG. 1;
FIG. 5 is a left side view of the earring shown in FIG. 1;
FIG. 6 is a top view of the earring shown in FIG. 1; and,
FIG. 7 is bottom view the earring shown in FIG. 1.

1 Claim, 5 Drawing Sheets



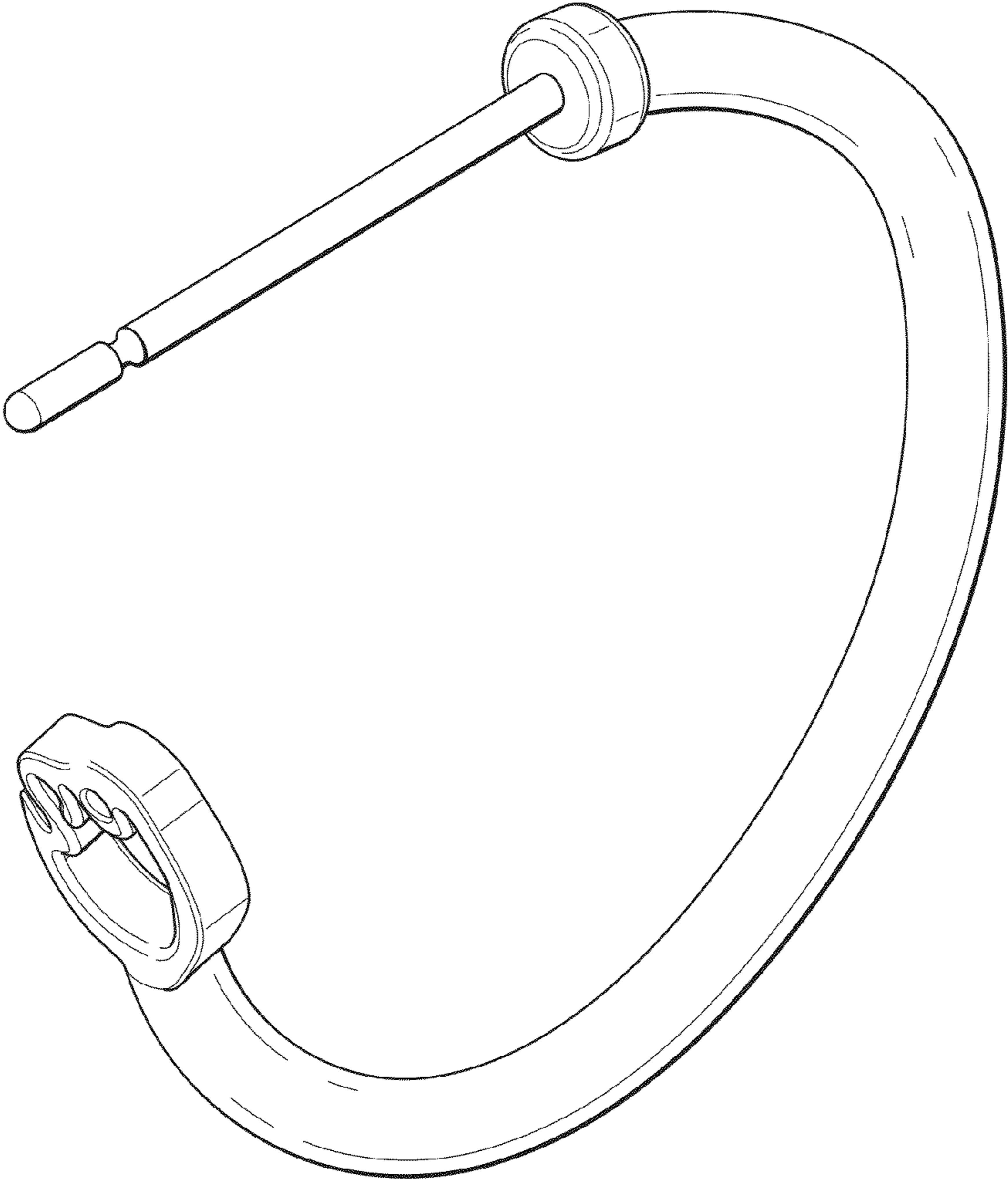


FIG. 1

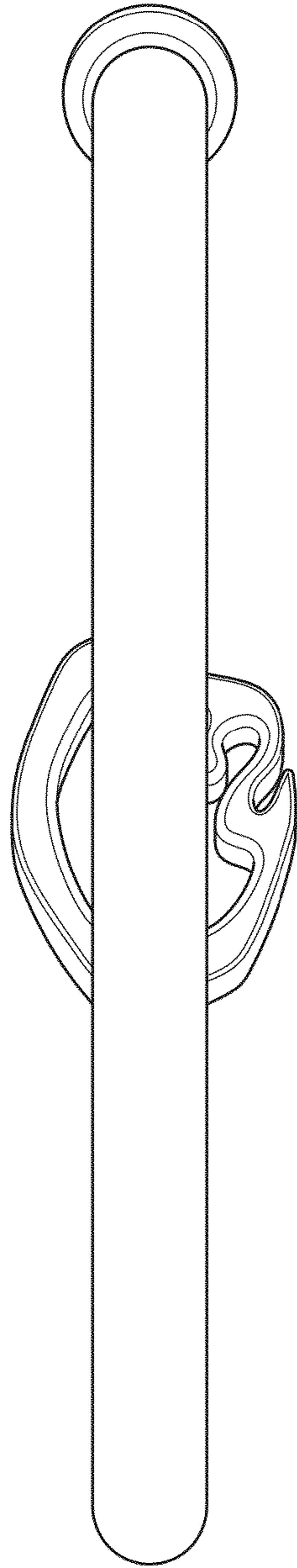


FIG. 2

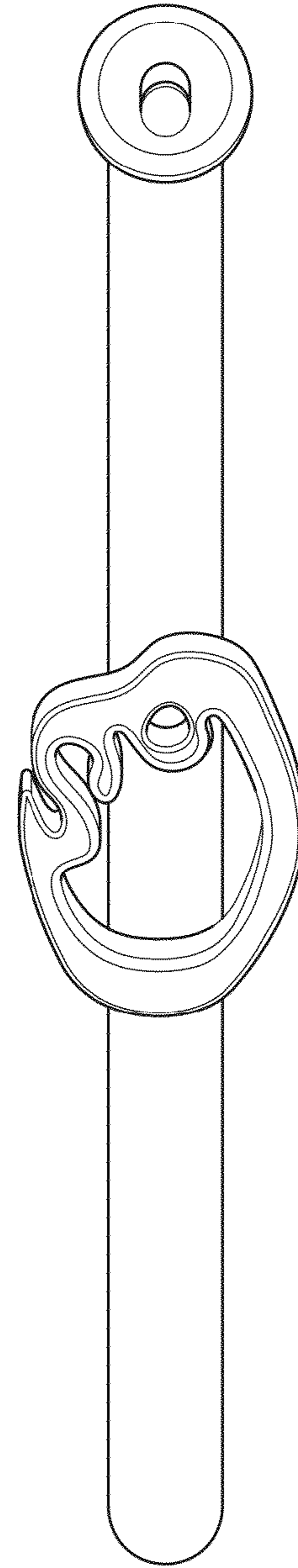


FIG. 3

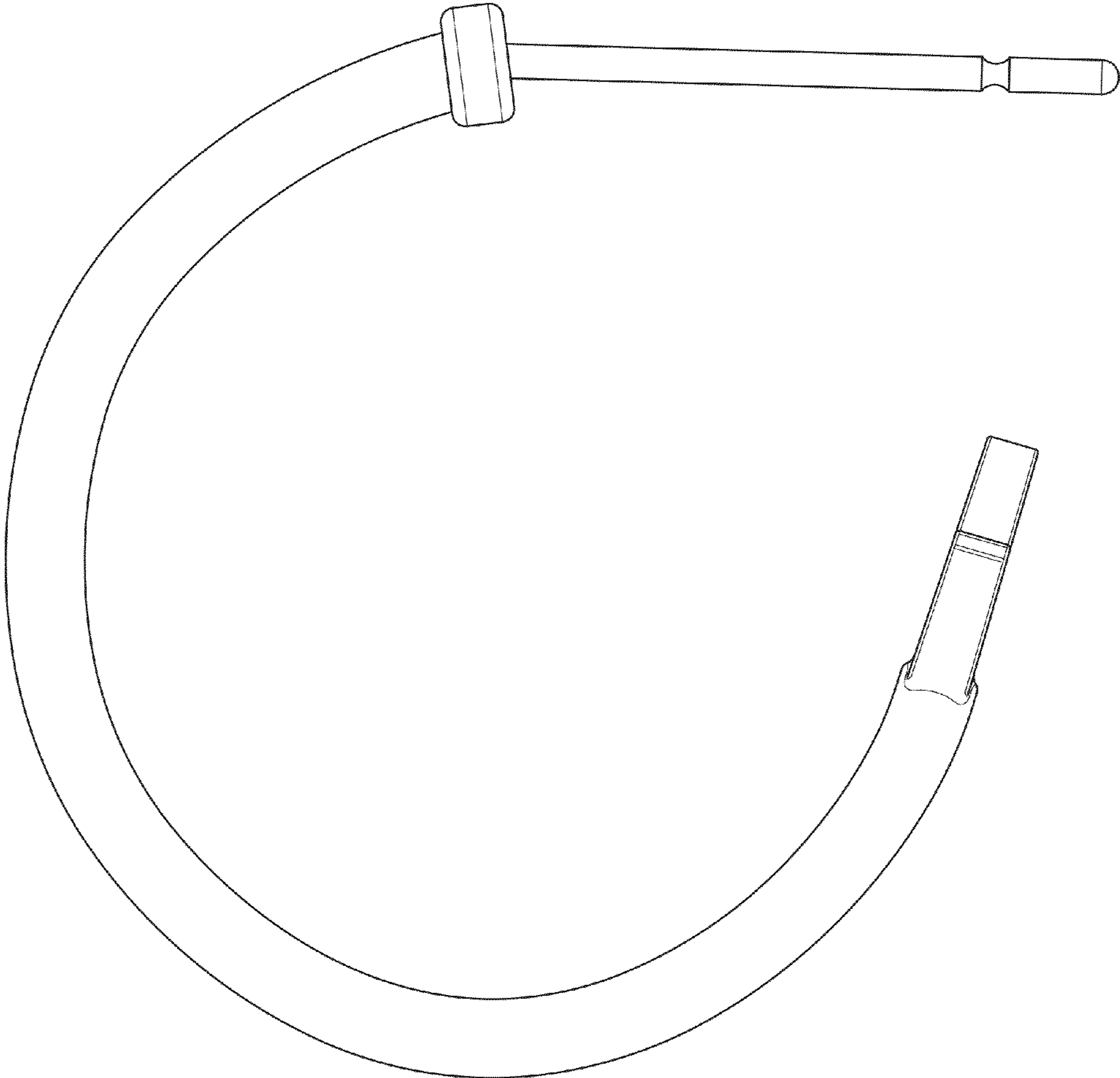


FIG. 4

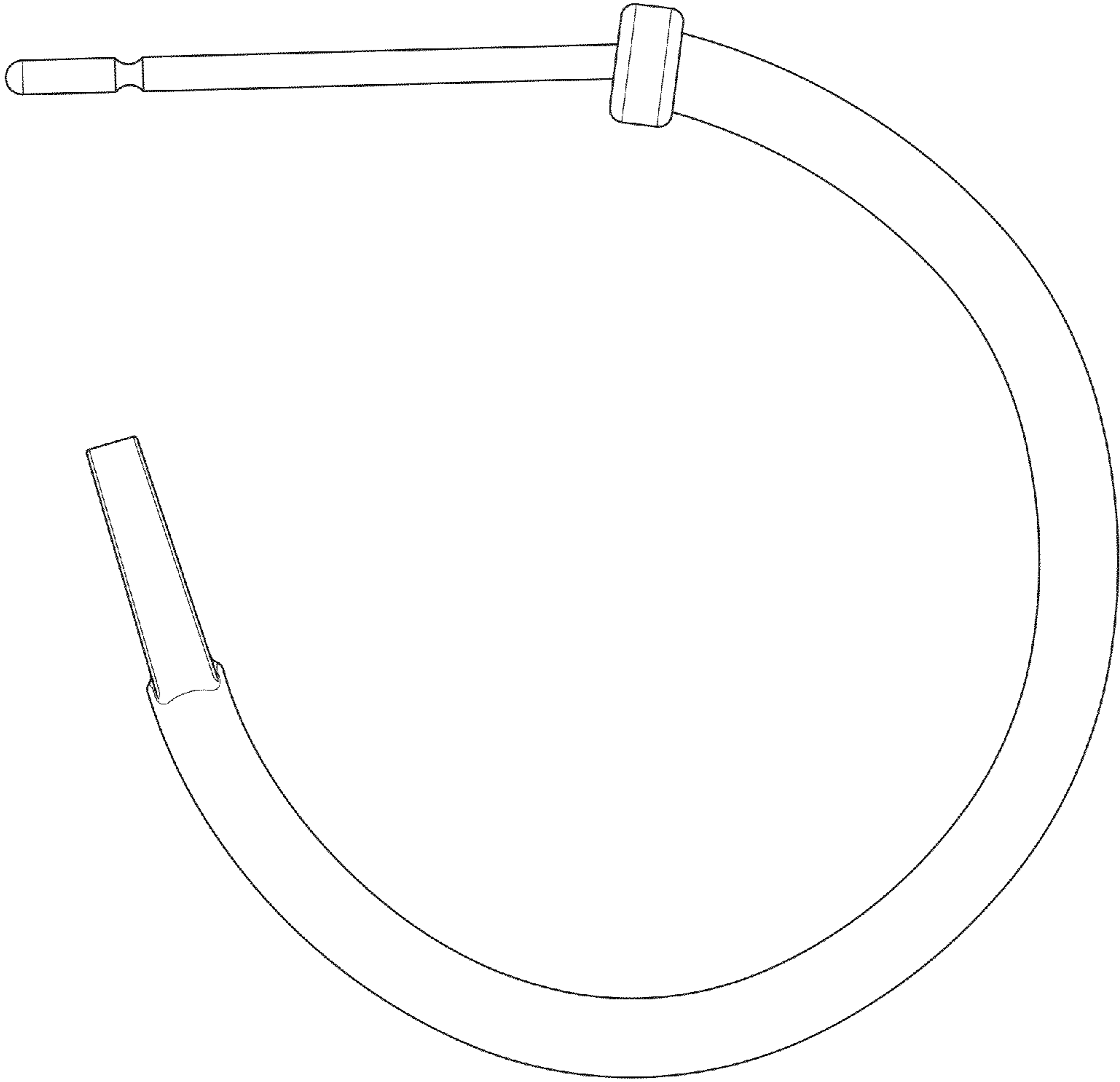


FIG. 5

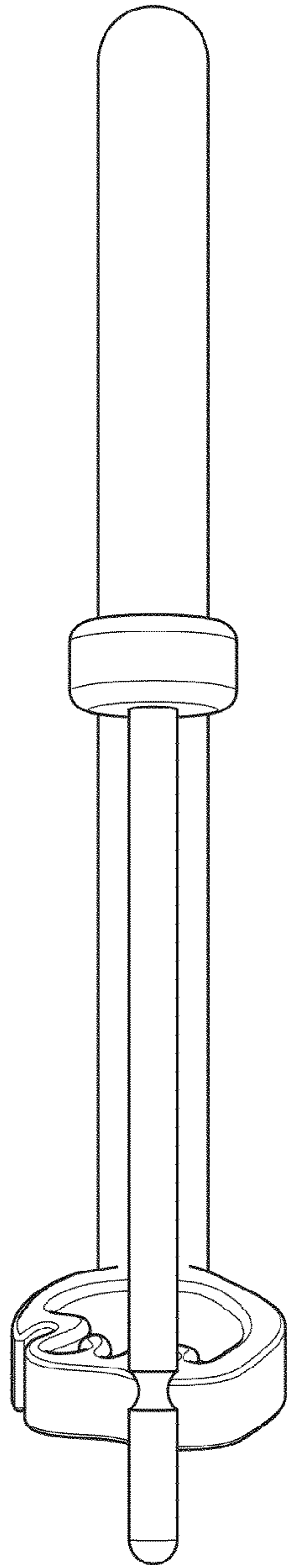


FIG. 6

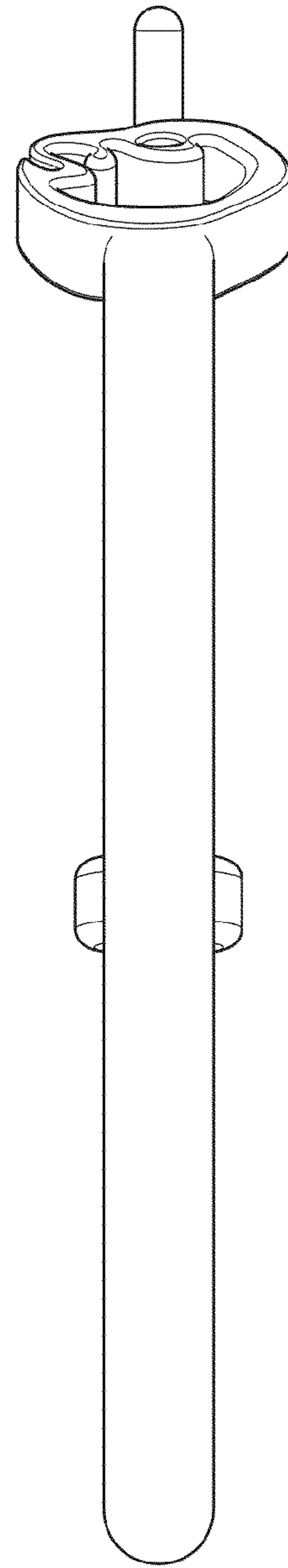


FIG. 7