



US00D718649S

(12) **United States Design Patent**
Harel-Klein et al.

(10) **Patent No.:** **US D718,649 S**
(45) **Date of Patent:** **** Dec. 2, 2014**

(54) **EARRING**

(71) Applicants: **Tamar Harel-Klein**, Tel-Aviv (IL);
Einat Agassi, Tel-Aviv (IL)

(72) Inventors: **Tamar Harel-Klein**, Tel-Aviv (IL);
Einat Agassi, Tel-Aviv (IL)

(**) Term: **14 Years**

(21) Appl. No.: **29/460,966**

(22) Filed: **Jul. 17, 2013**

(30) **Foreign Application Priority Data**

Apr. 10, 2013 (IL) 53891

(51) **LOC (10) Cl.** **11-01**

(52) **U.S. Cl.**
USPC **D11/40; D11/86**

(58) **Field of Classification Search**
CPC A44C 1/00; A44C 3/00; A44C 3/001;
A44C 3/004; A44C 17/02; A44C 17/0208;
A44C 17/0258; A44C 17/0266; A44C 25/00;
A44C 25/001; A44C 25/002; A44C 25/004;
A44C 25/007

USPC D11/1, 2, 7, 8, 40-44, 79-86, 91, 92,
D11/87; 63/1.11, 12, 13, 18, 19, 20, 23,
63/26-28, 29.1, 29.2, 36

See application file for complete search history.

(56) **References Cited**

U.S. PATENT DOCUMENTS

248,785 A * 10/1881 Pardee 63/26
D59,244 S * 10/1921 McAvoy D11/83

D232,178 S * 7/1974 McDaniel D11/81
D270,046 S * 8/1983 Burkheimer D11/79
D413,543 S * 9/1999 Behr D11/79
D533,101 S * 12/2006 McDonald D11/79
D533,478 S * 12/2006 McDonald D11/79
D637,105 S * 5/2011 Bachelder D11/86

OTHER PUBLICATIONS

[Online] "Glove Pendant Necklace" <http://www.agasantamardesign.com/index.php/shop/index/necklaces/n057>. Retrieved Aug. 5, 2014.*

[Online] "Glove Earrings" <http://www.agasantamardesign.com/index.php/shop/index/earrings/EP024-M>. Retrieved Aug. 5, 2014.*

* cited by examiner

Primary Examiner — Garth Rademaker

Assistant Examiner — Melanie Pellegrini

(74) *Attorney, Agent, or Firm* — Rodney J. Fuller; Booth Udall Fuller, PLC

(57) **CLAIM**

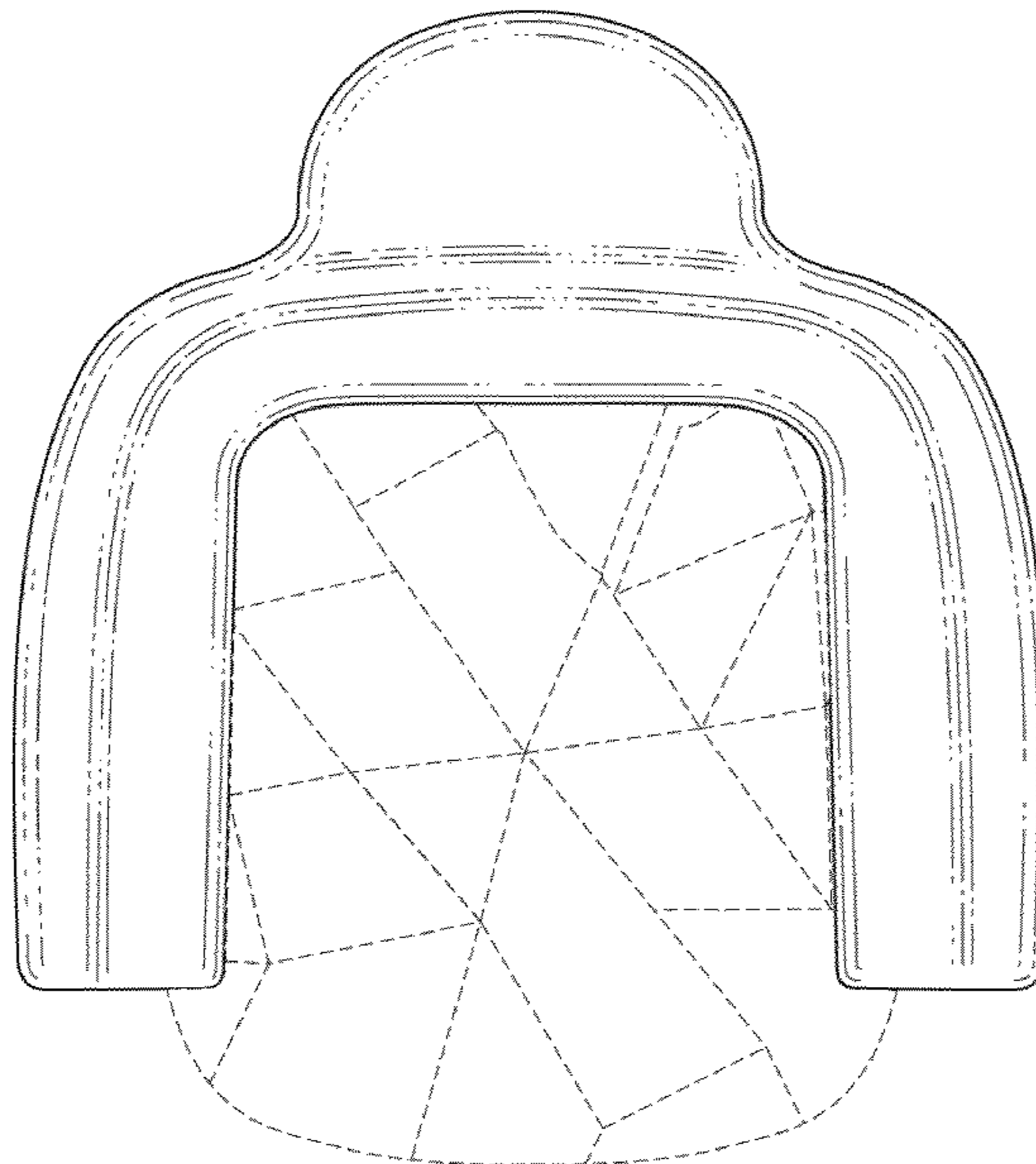
The ornamental design for an earring, as shown and described.

DESCRIPTION

FIG. 1 is a front view of an earring showing our new design;
FIG. 2 is a rear view thereof;
FIG. 3 is a perspective view thereof;
FIG. 4 is a right side view thereof, the left side view being a mirror image to the right side view;
FIG. 5 is a top view thereof; and,
FIG. 6 is a bottom view thereof.

The broken lines are included for the purpose of illustrating environmental features and form no part of the claimed design.

1 Claim, 6 Drawing Sheets



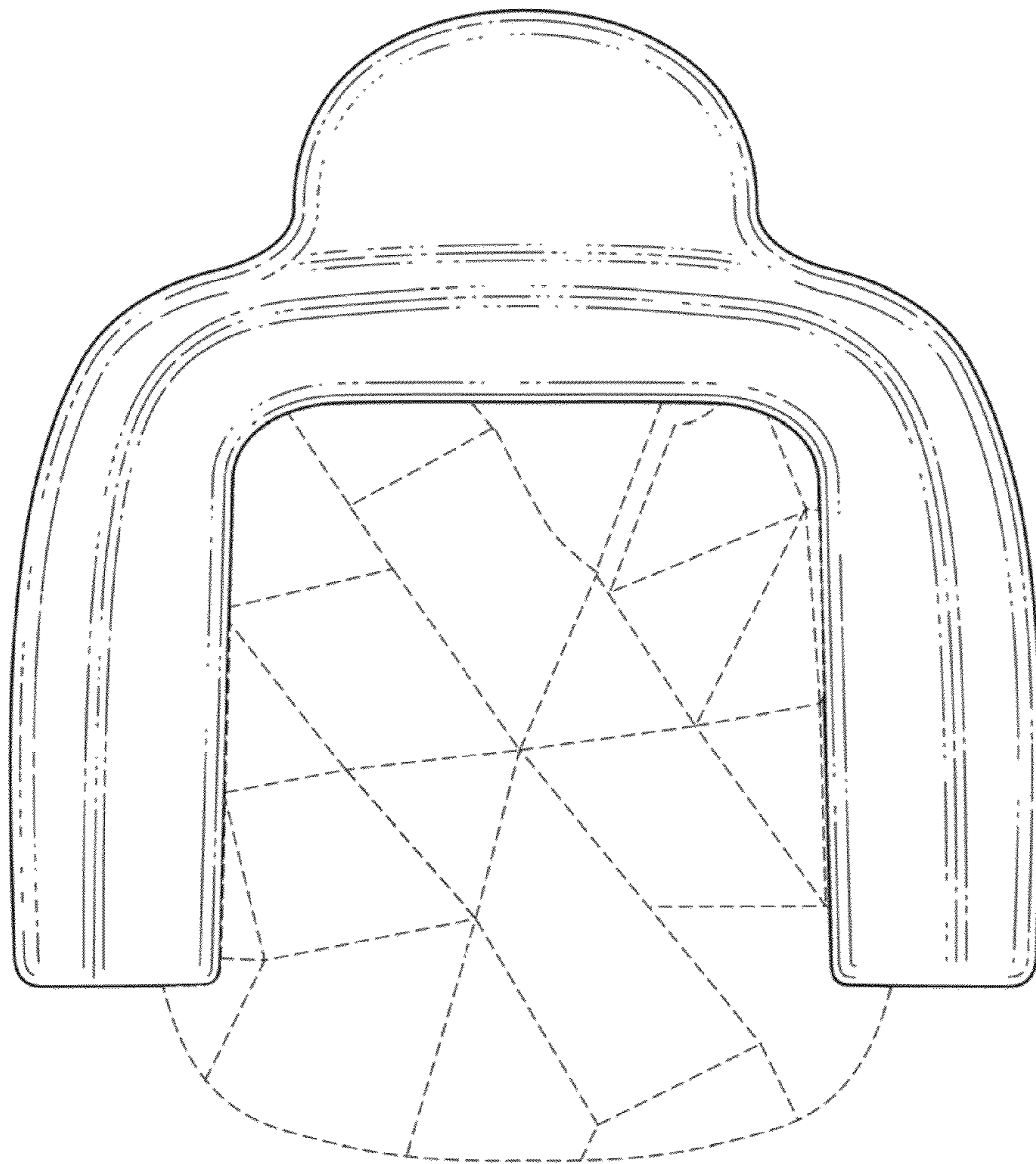


FIG. 1

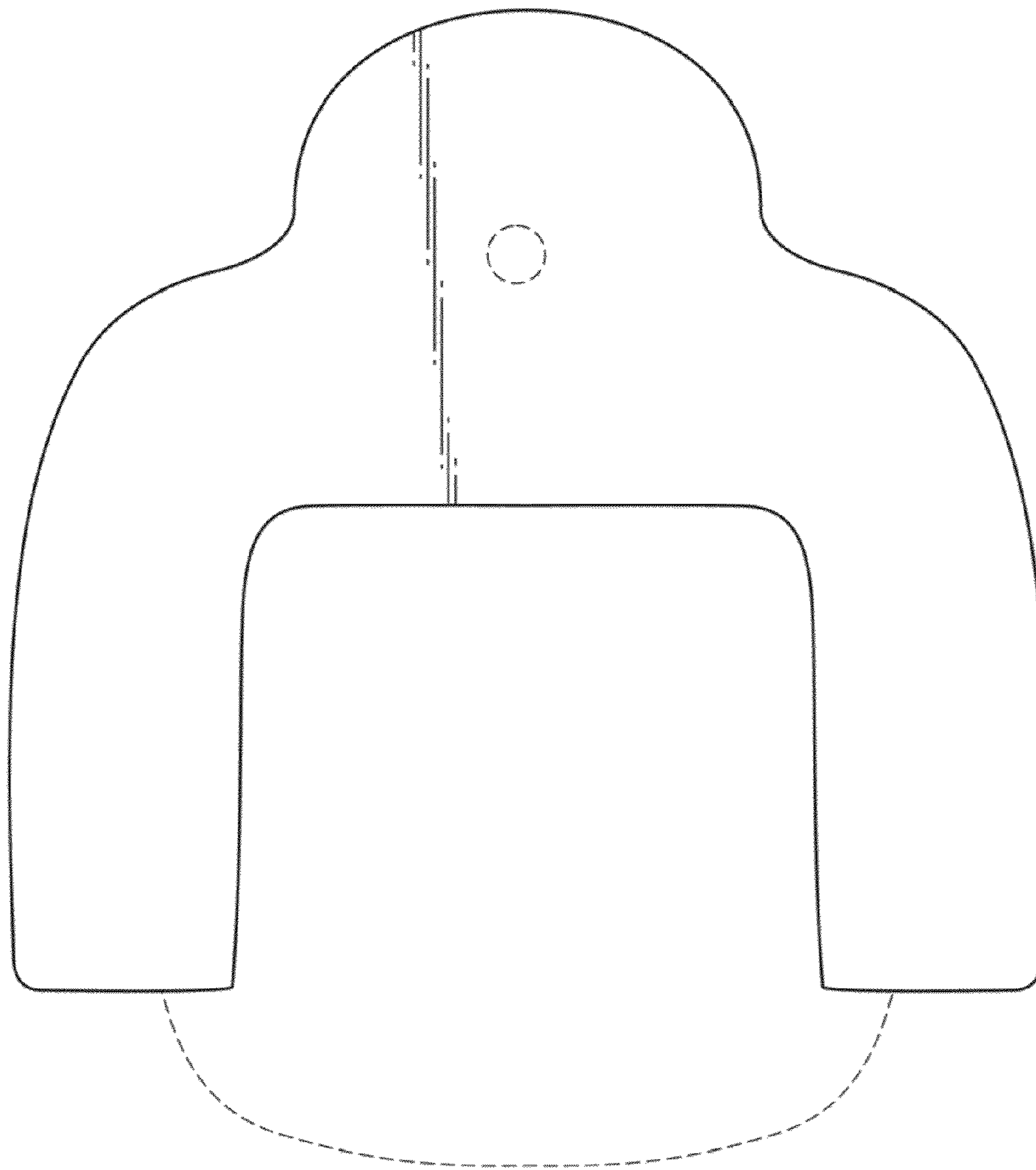


FIG. 2

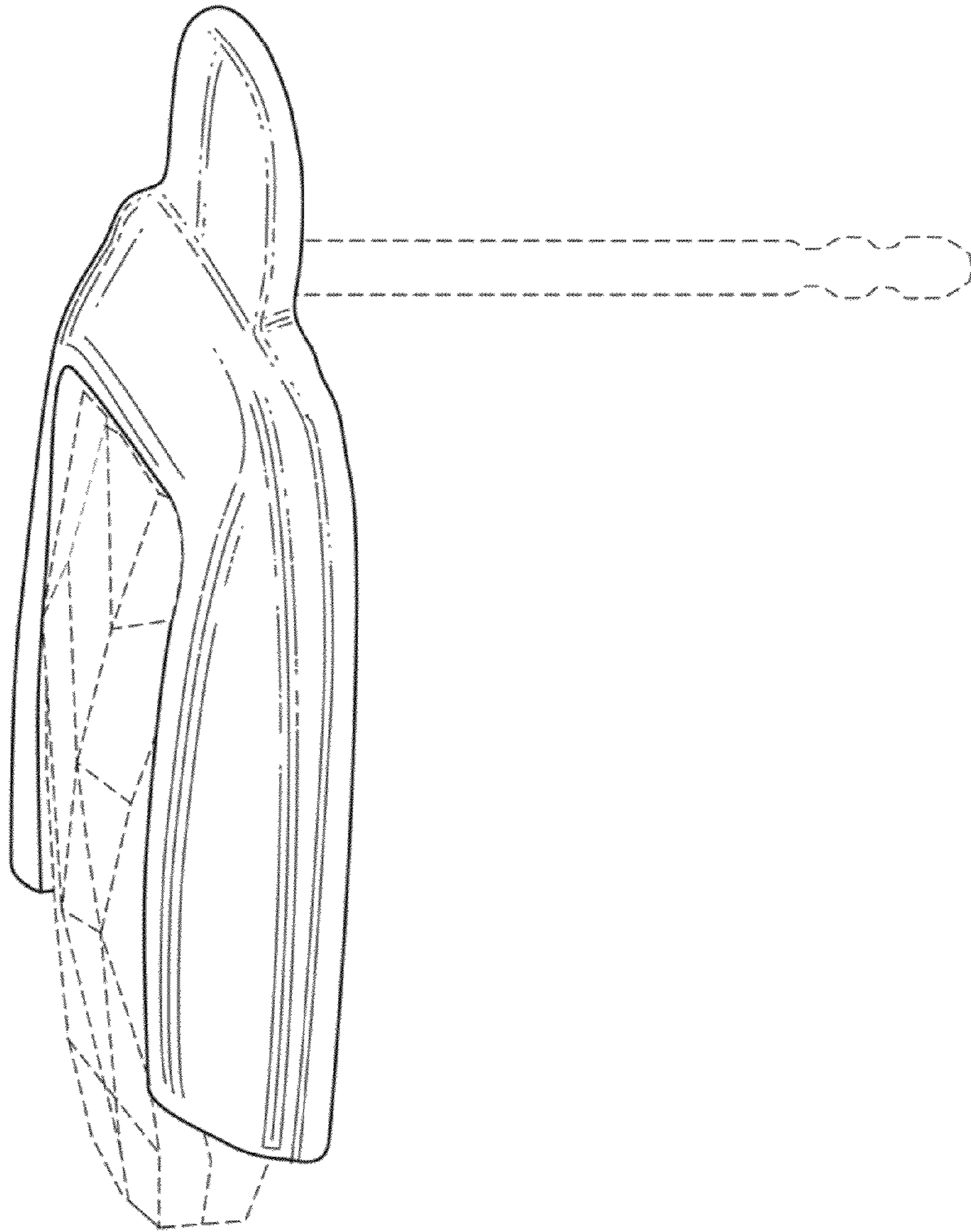


FIG. 3

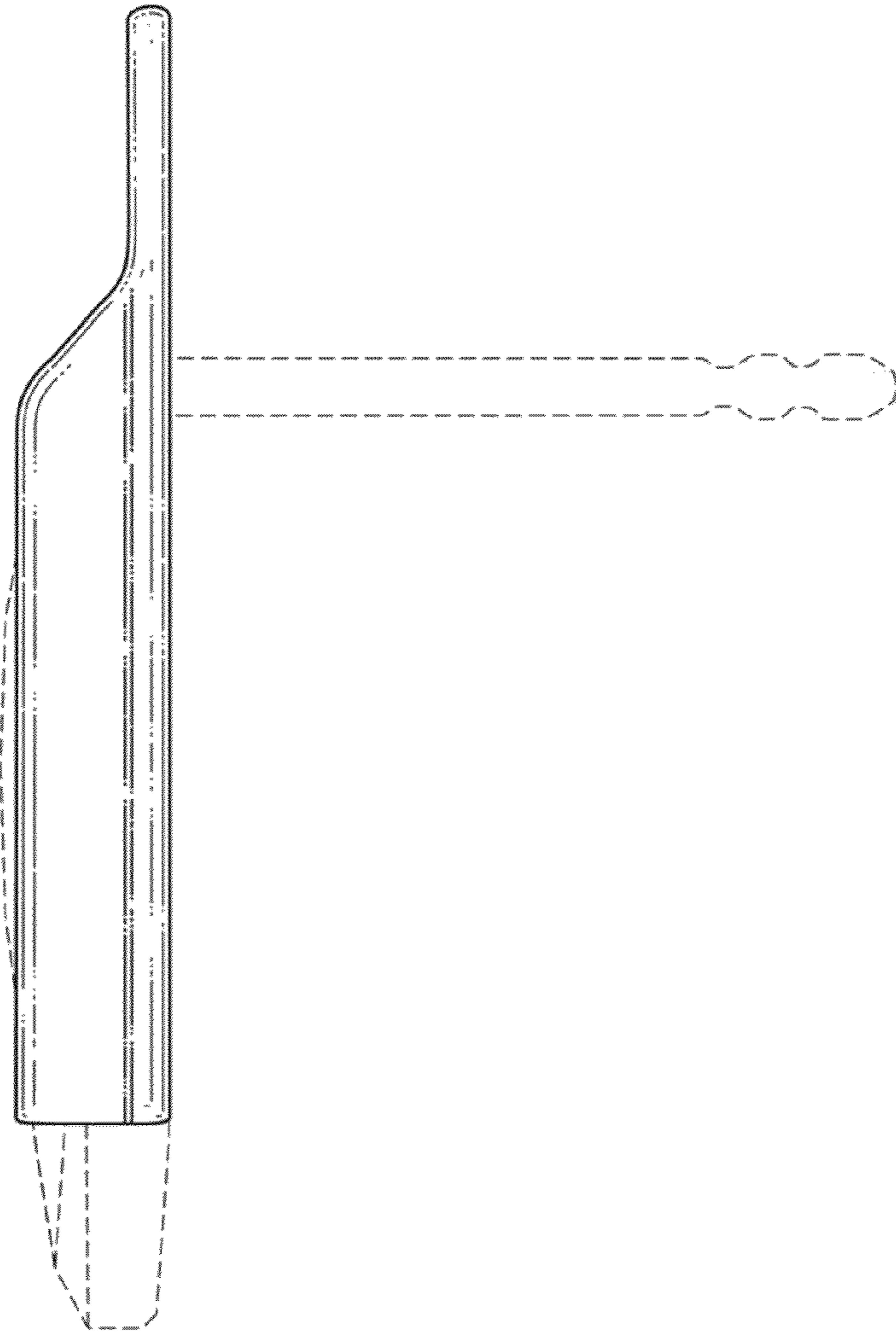


FIG. 4

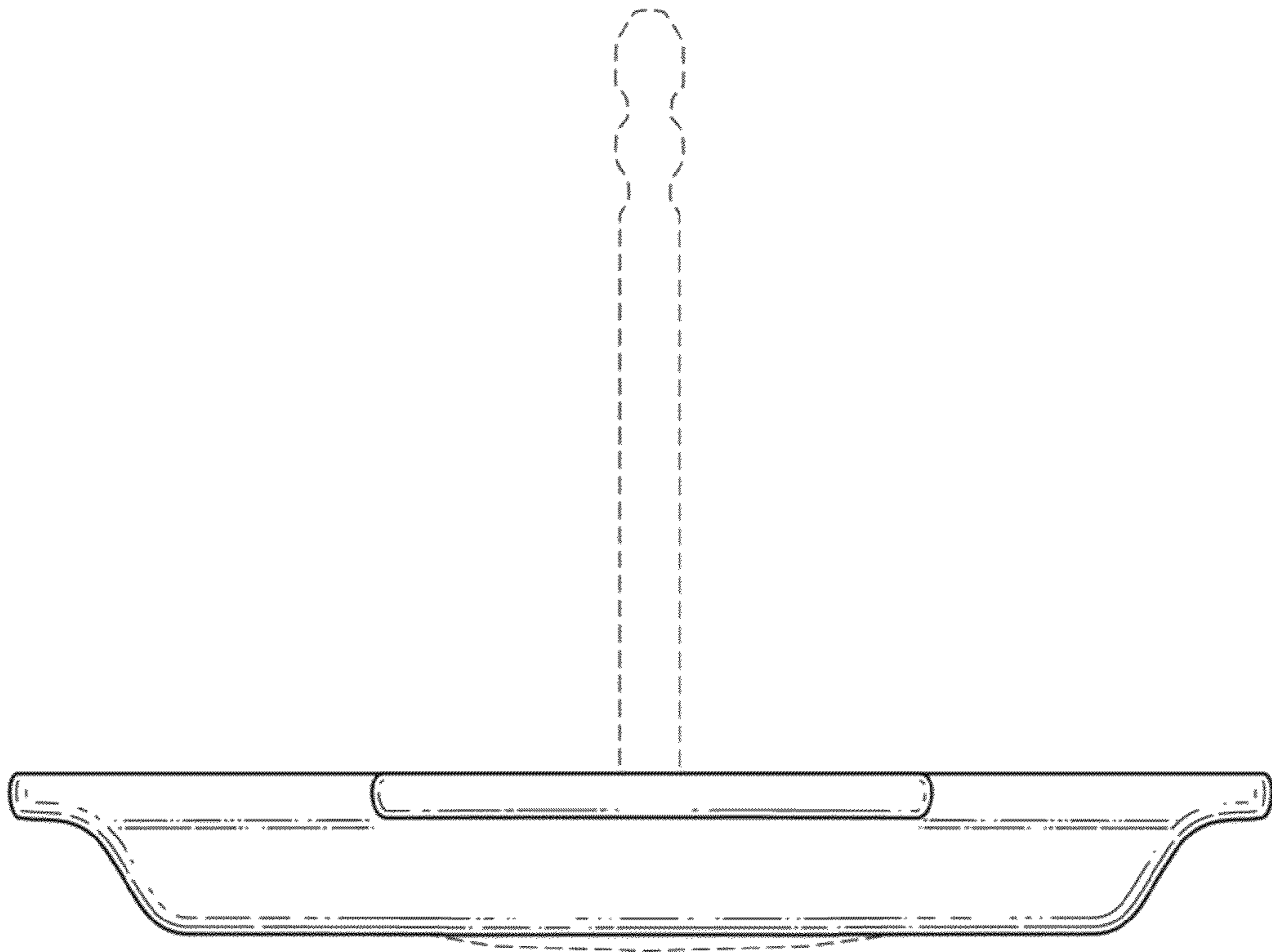


FIG. 5

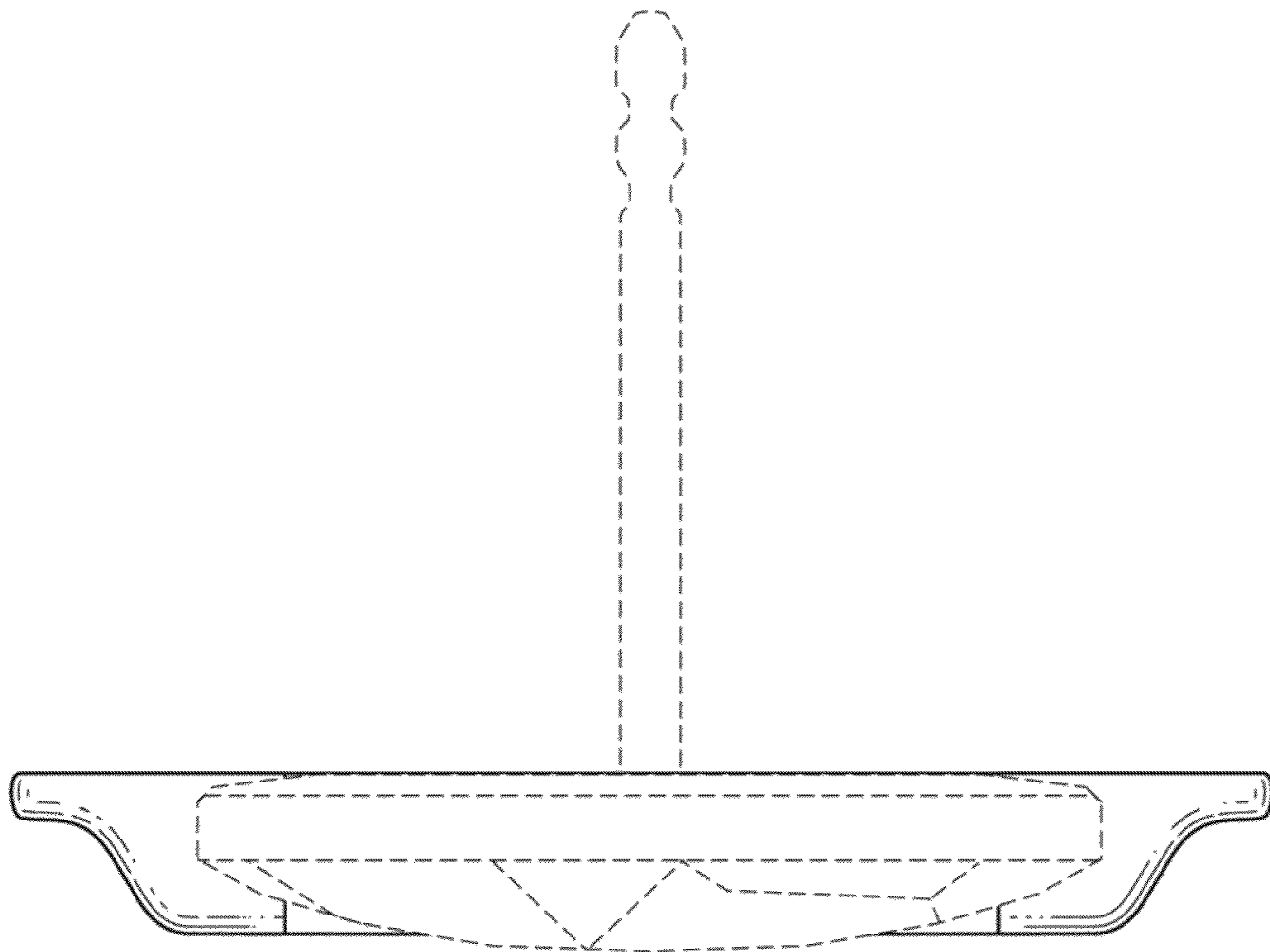


FIG. 6