



US00D718645S

(12) **United States Design Patent**
Disch

(10) **Patent No.:** **US D718,645 S**
(45) **Date of Patent:** **** Dec. 2, 2014**

- (54) **MID RANGE SCAN TOOL**
- (71) Applicant: **Michael A. Disch**, Olmsted Township, OH (US)
- (72) Inventor: **Michael A. Disch**, Olmsted Township, OH (US)
- (73) Assignees: **Bosch Automotive Service Solutions LLC**, Warren, MI (US); **Robert Bosch GmbH**, Stuttgart (DE)
- (**) Term: **14 Years**
- (21) Appl. No.: **29/458,226**
- (22) Filed: **Jun. 17, 2013**
- (51) **LOC (10) Cl.** **10-04**
- (52) **U.S. Cl.**
USPC **D10/78**
- (58) **Field of Classification Search**
CPC .. F02D 28/00; G07C 5/0808; G07C 2205/02;
G07C 5/008; G07C 5/0858; G06F 17/00;
G06Q 30/0639
USPC D10/65, 78; D14/347, 138 AA, 507,
D14/426; 324/76.12, 426, 500;
340/438-441, 425.5; 701/24, 29.1,
701/31.4, 33.2, 33.4, 33.9, 102, 203;
702/182, 119, 123, 183; 714/E11.207;
717/136, 142, 143
See application file for complete search history.

- D606,433 S * 12/2009 Whitcomb et al. D10/78
- 7,928,837 B2 * 4/2011 Drew et al. 340/438
- 8,339,254 B2 * 12/2012 Drew et al. 340/438
- 8,340,861 B2 * 12/2012 Lipscomb et al. 701/33.2
- D688,144 S * 8/2013 Svard et al. D10/78
- D688,564 S * 8/2013 LaFauci D9/703

* cited by examiner

Primary Examiner — Antoine D Davis

(74) *Attorney, Agent, or Firm* — Baker Hostetler LLP

(57) **CLAIM**

The ornamental design for a mid range scan tool, as shown and described.

DESCRIPTION

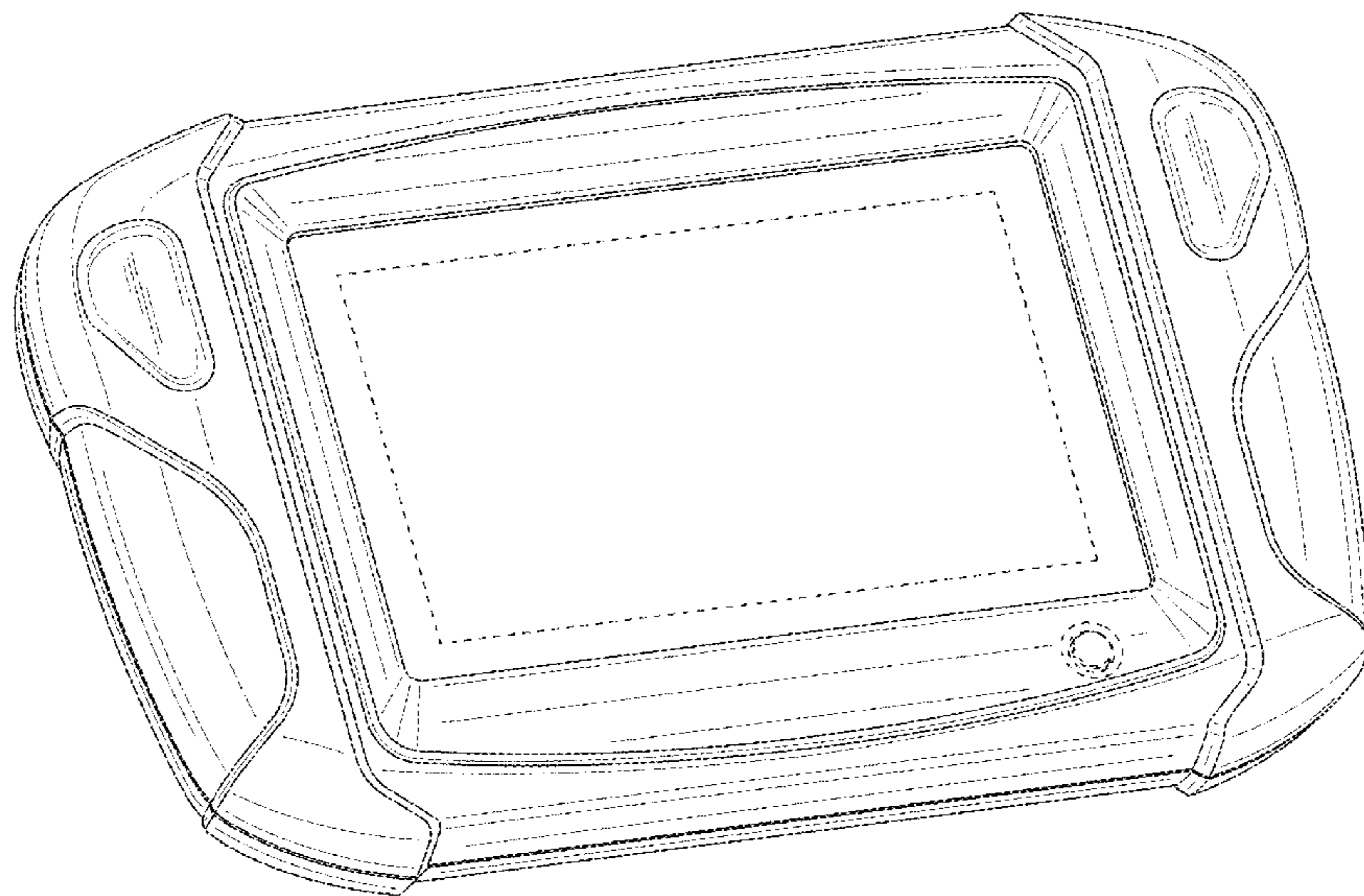
FIG. 1 is a perspective view of a scan tool showing a first embodiment of our new design;
 FIG. 2 is a front view of the design shown in FIG. 1;
 FIG. 3 is a rear view of the design shown in FIG. 1;
 FIG. 4 is a left side view of the design shown in FIG. 1;
 FIG. 5 is a right side view of the design shown in FIG. 1;
 FIG. 6 is a top view of the design shown in FIG. 1;
 FIG. 7 is a bottom view of the design shown in FIG. 1;
 FIG. 8 is a perspective view of a scan tool showing a second embodiment of our new design;
 FIG. 9 is a front view of the design shown in FIG. 8;
 FIG. 10 is a rear view of the design shown in FIG. 8;
 FIG. 11 is a left side view of the design shown in FIG. 8;
 FIG. 12 is a right side view of the design shown in FIG. 8;
 FIG. 13 is a top view of the design shown in FIG. 8; and,
 FIG. 14 is a bottom view of the design shown in FIG. 8.
 The broken line showing of features in FIGS. 1-7 is included for the purpose of illustration and forms no part of the claimed design.

(56) **References Cited**

U.S. PATENT DOCUMENTS

- D563,809 S * 3/2008 Jeon D10/78
- D606,432 S * 12/2009 Winterhalter et al. D10/78

1 Claim, 10 Drawing Sheets



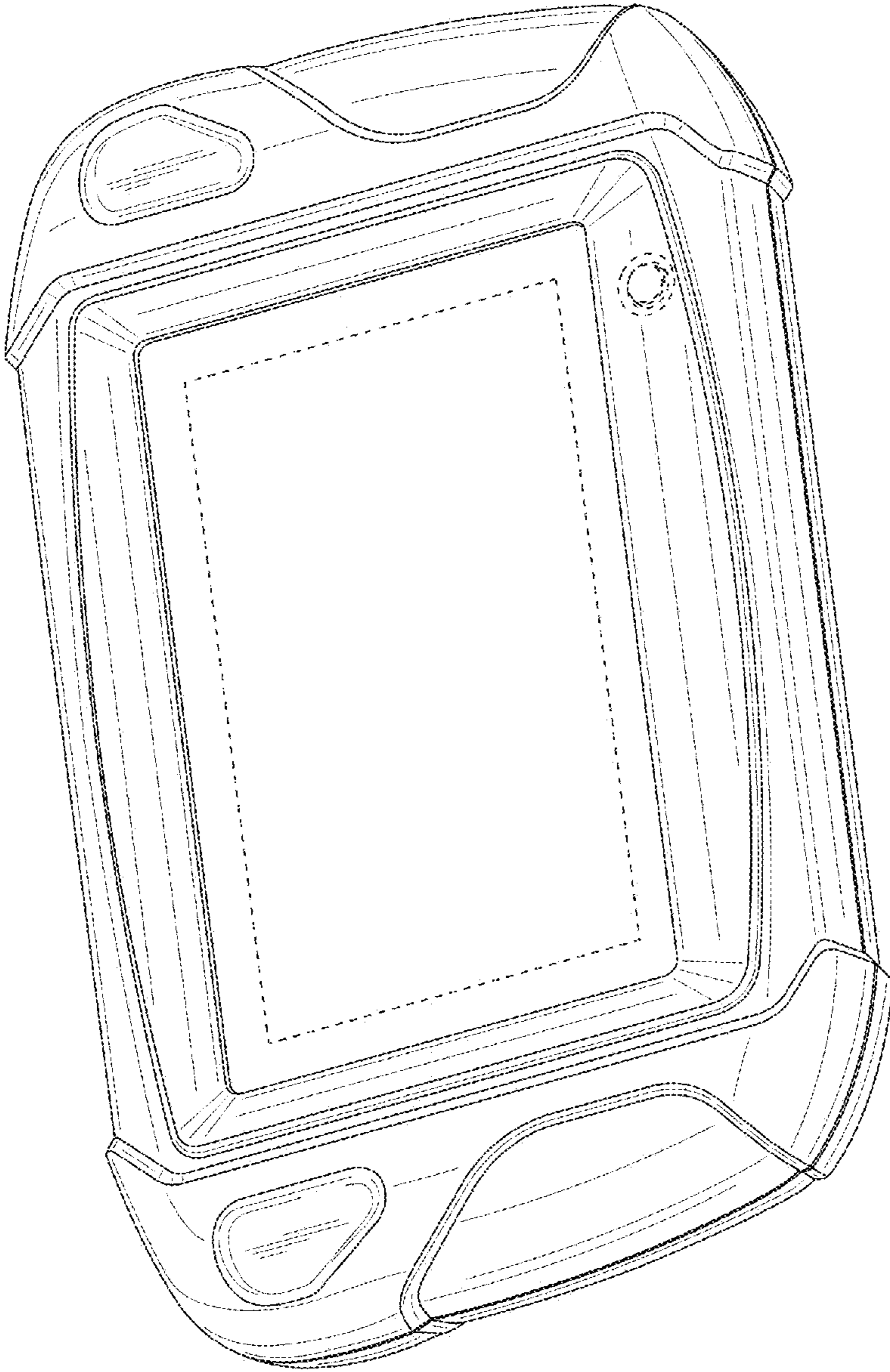


FIG.1

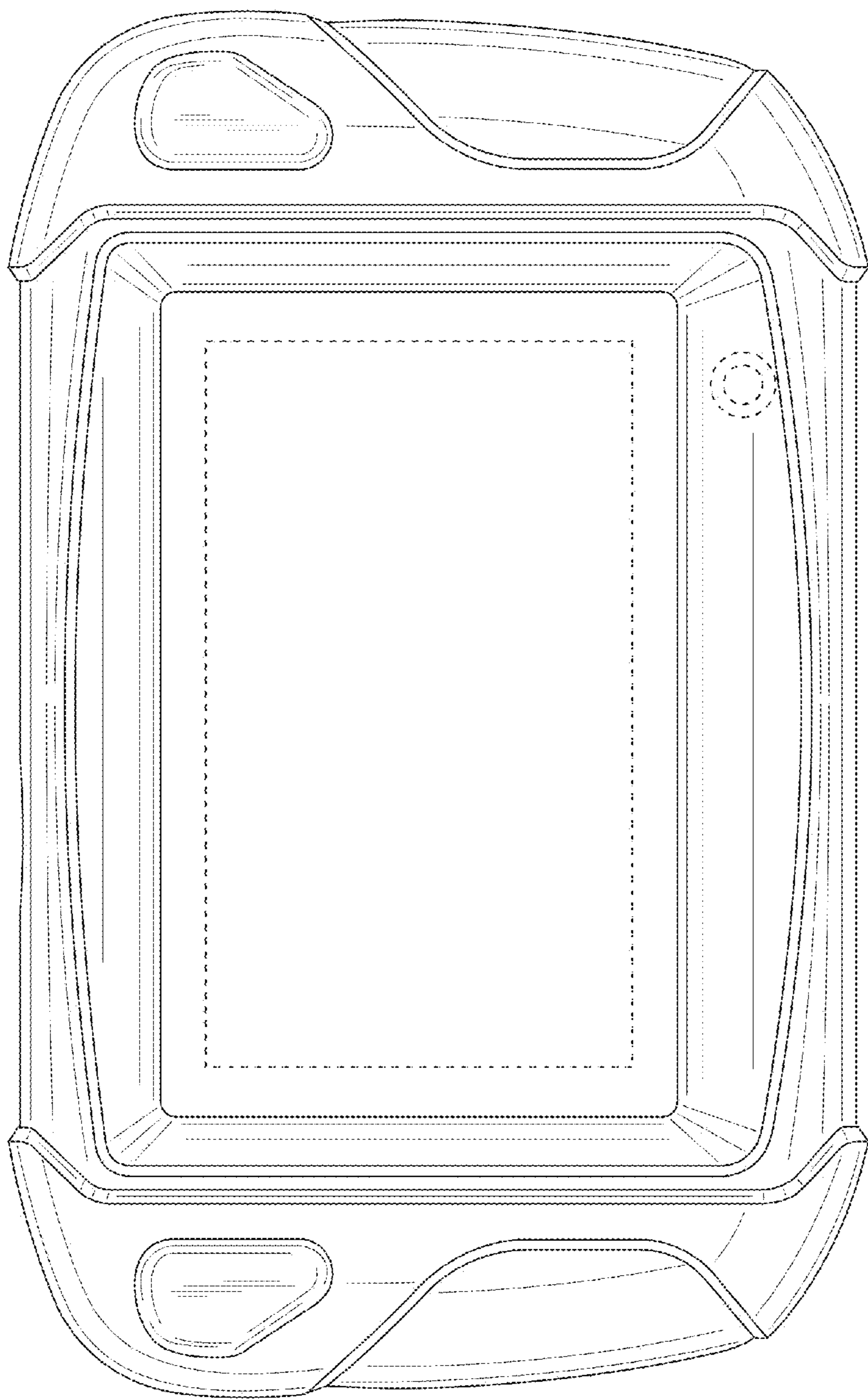


FIG.2

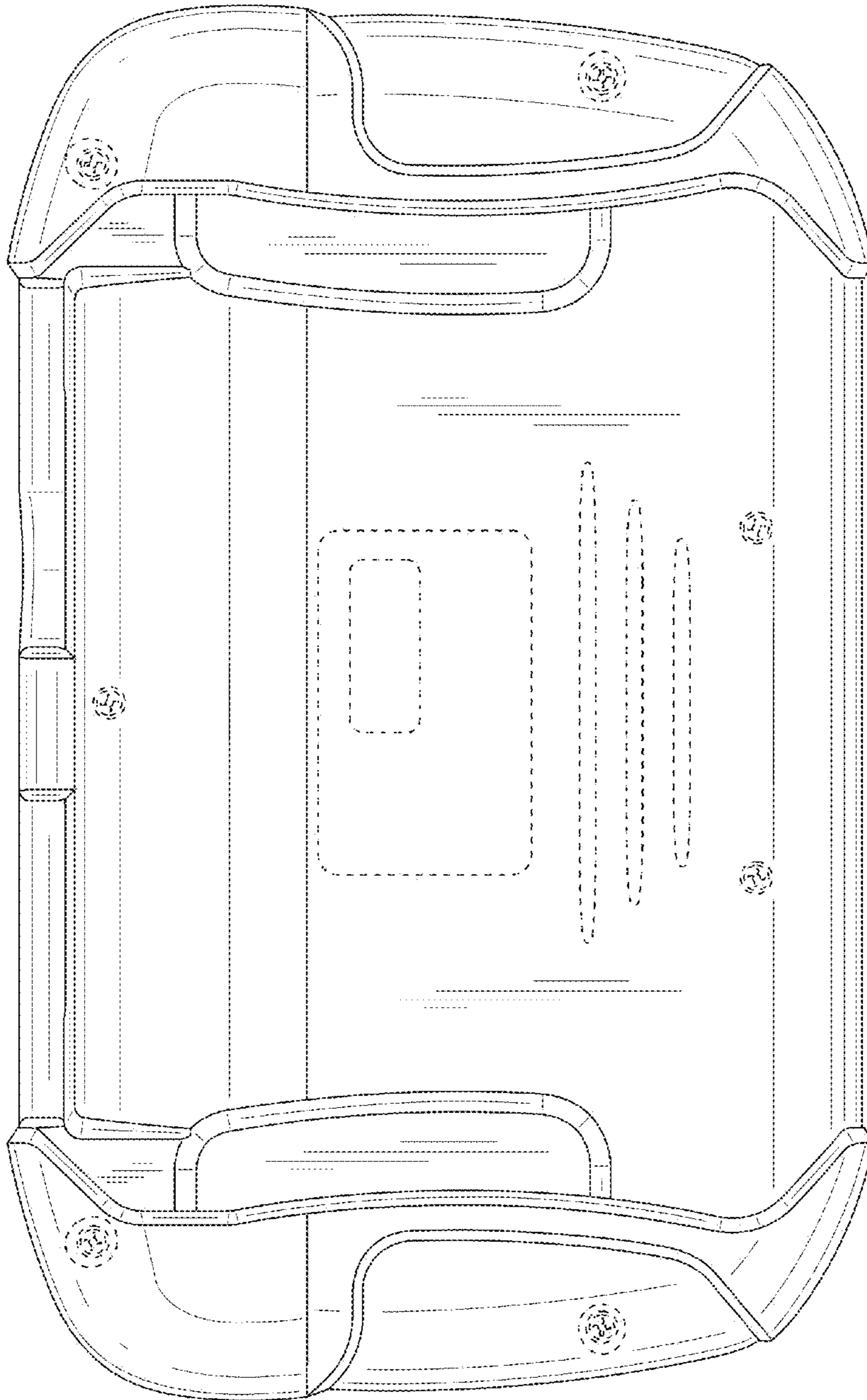


FIG.3

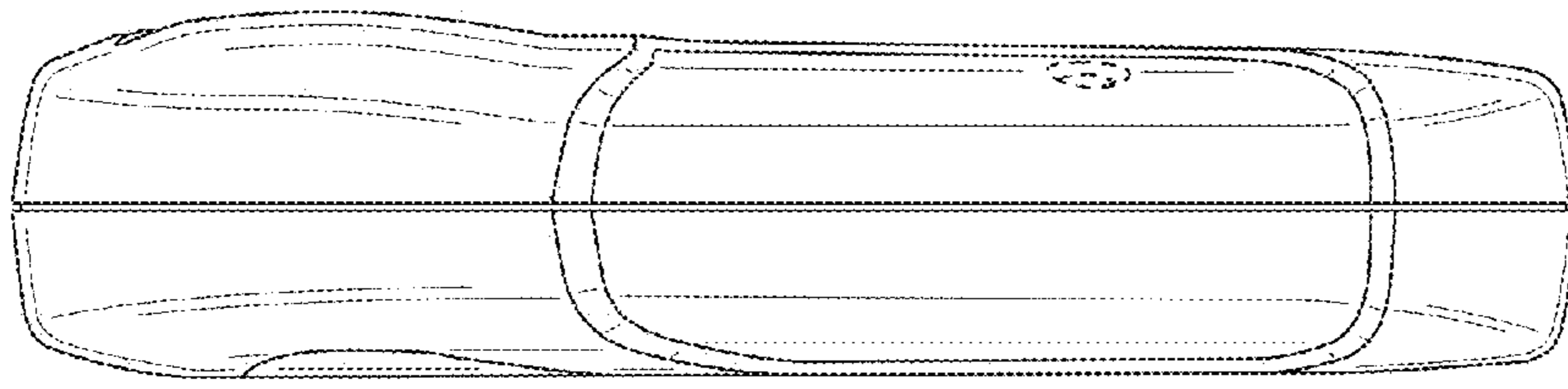


FIG.5

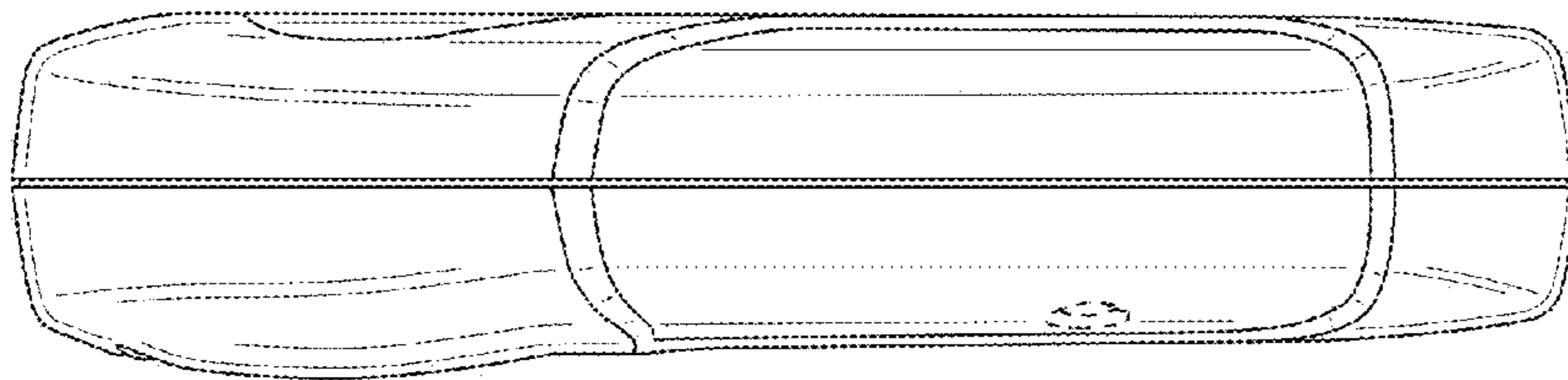


FIG.4

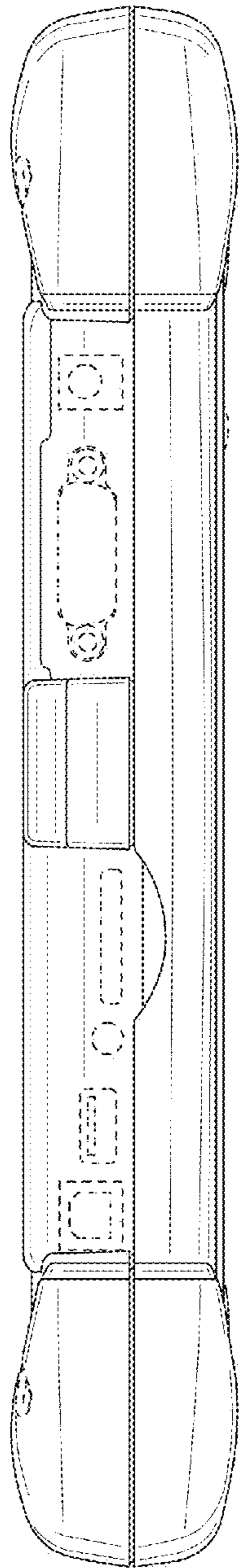


FIG. 6

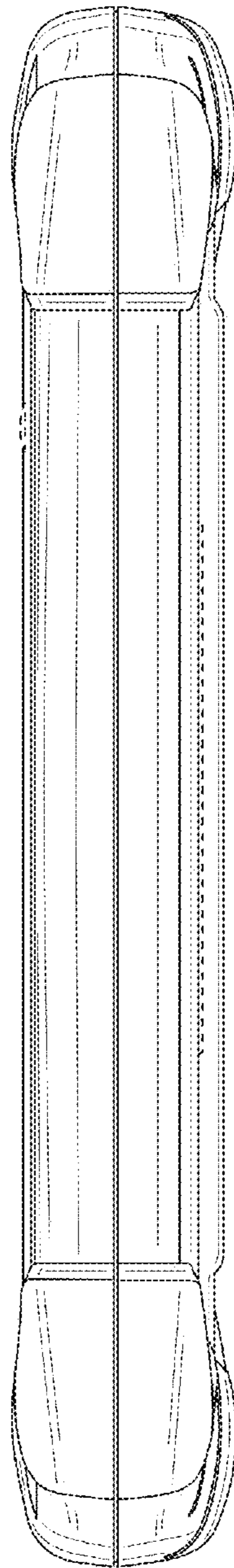


FIG. 7

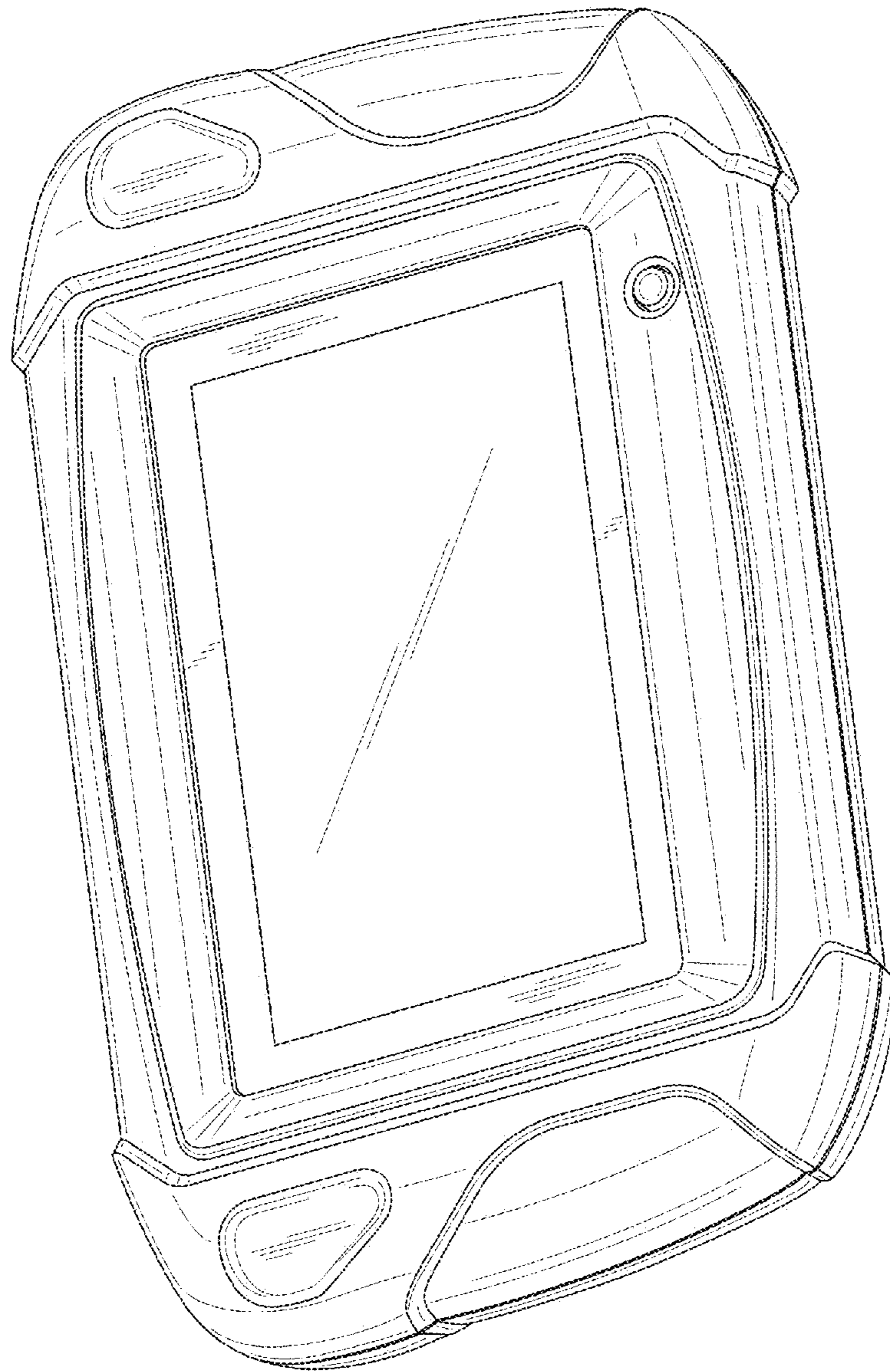


FIG.8

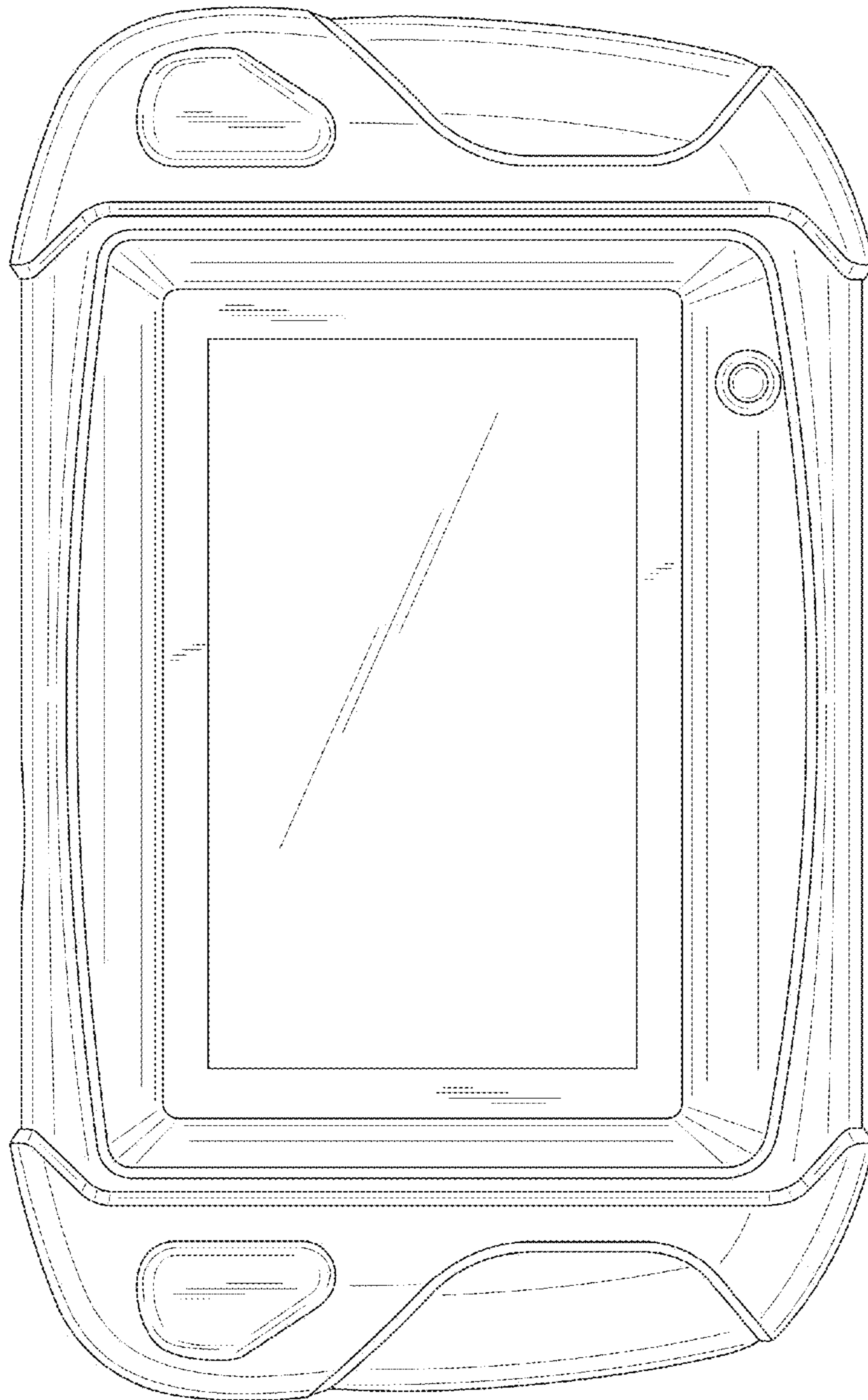


FIG.9

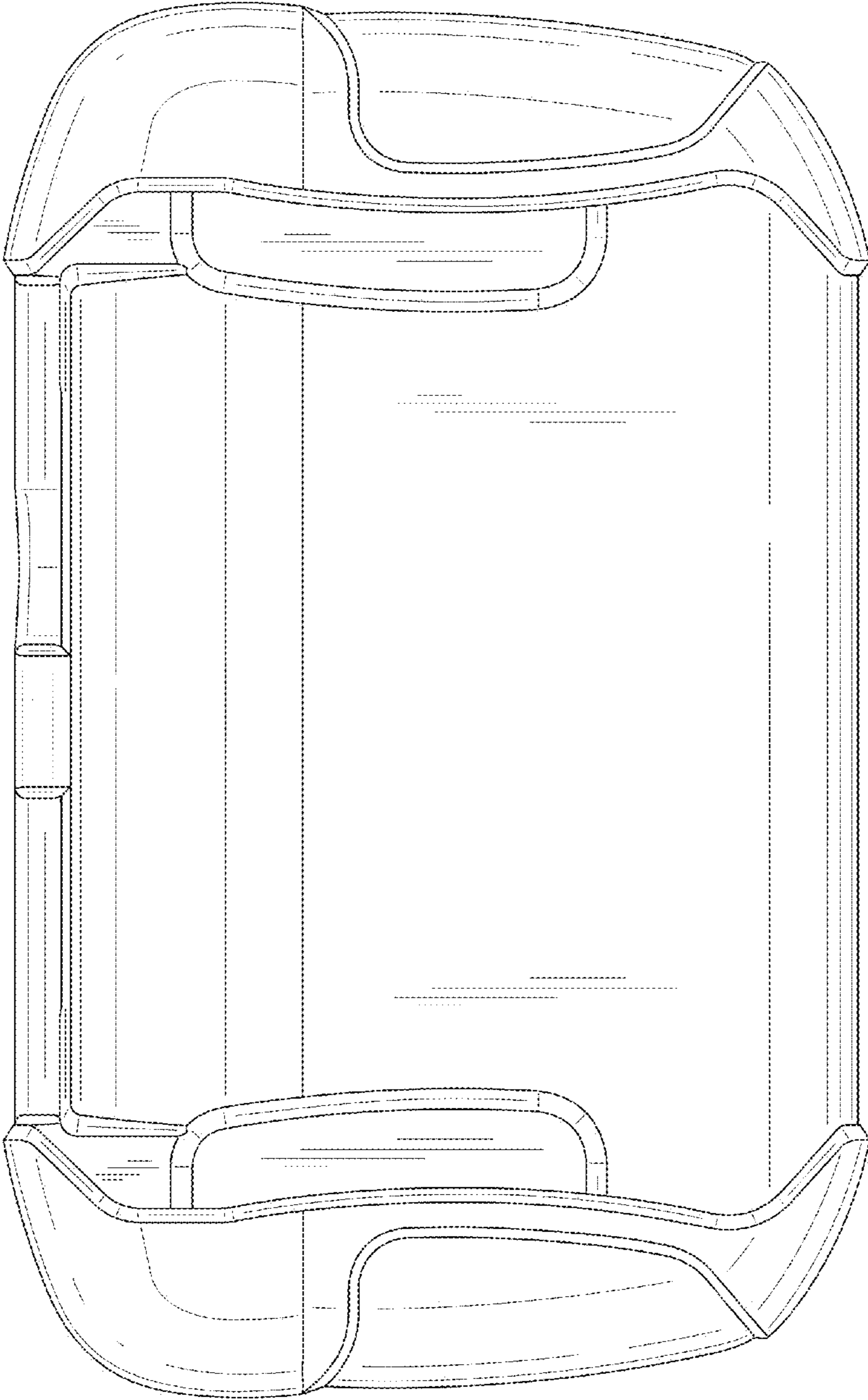


FIG.10

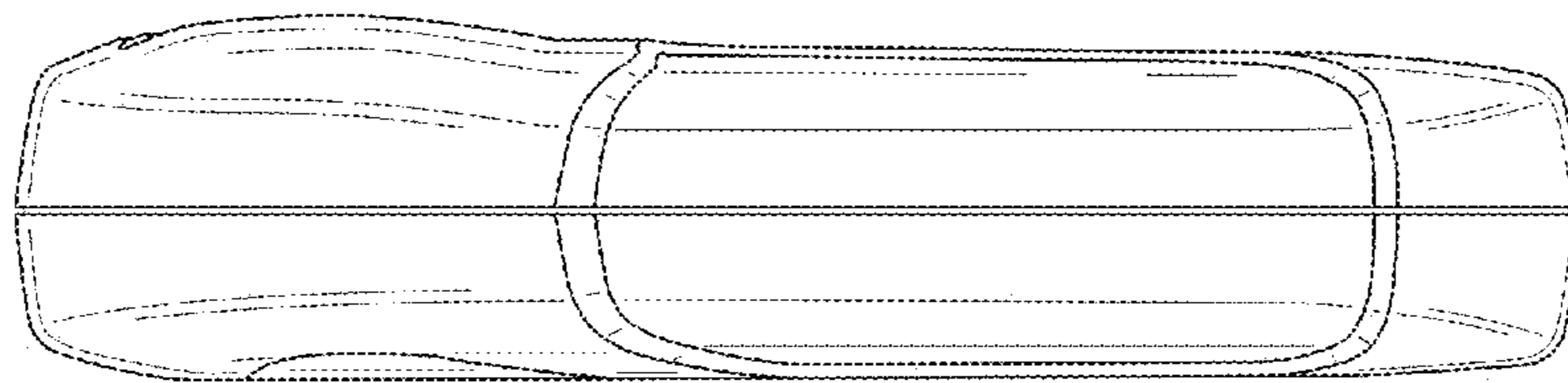


FIG. 12

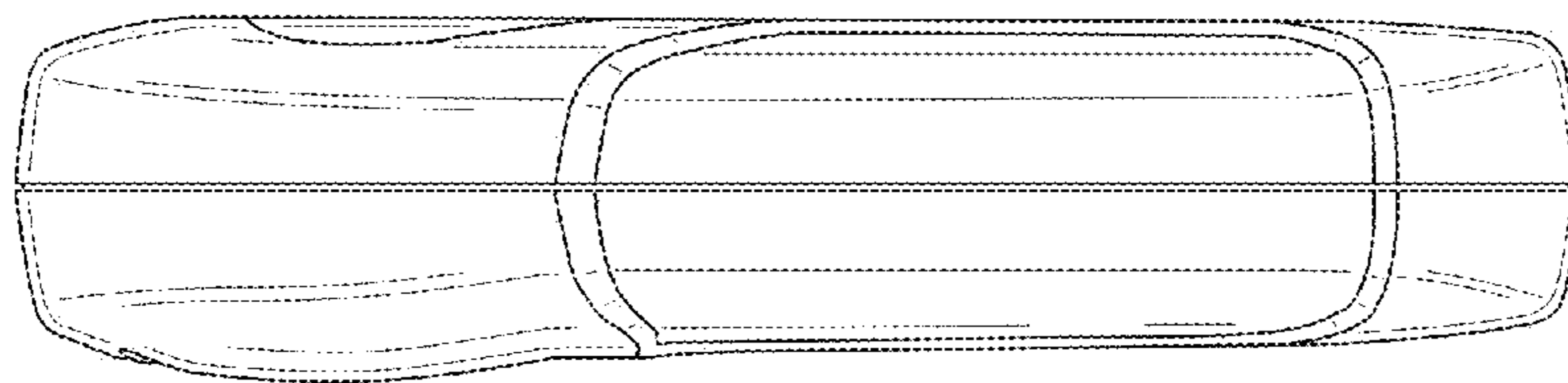


FIG. 11

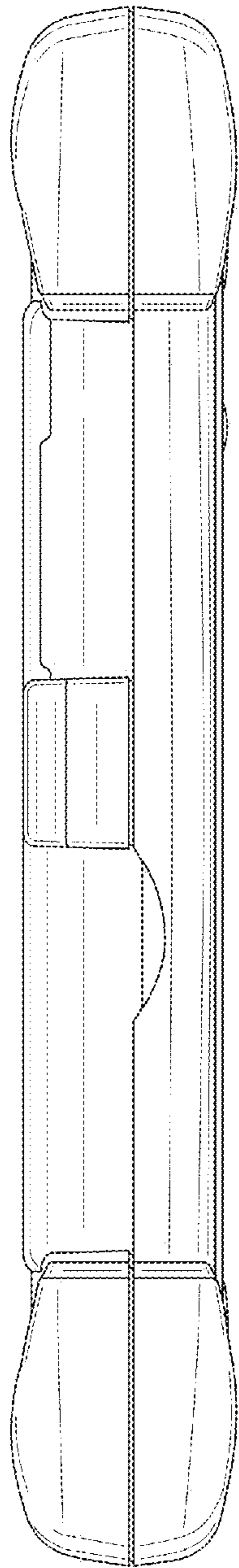


FIG. 13

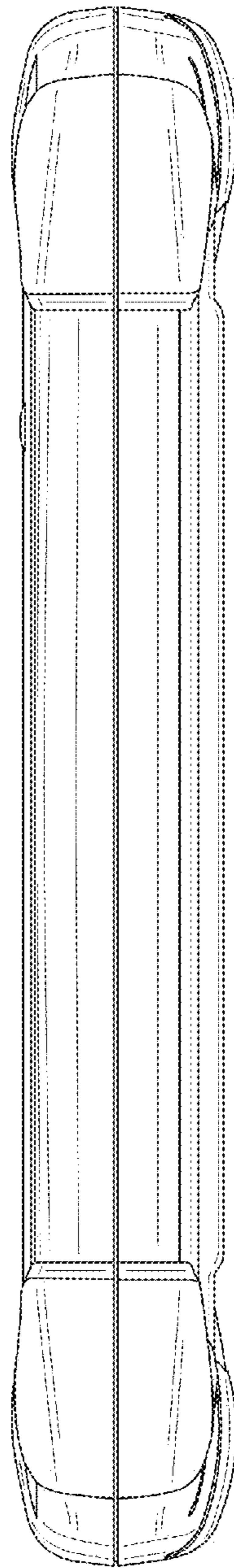


FIG. 14