

US00D718642S

(12) **United States Design Patent**
Tilahun

(10) **Patent No.:** **US D718,642 S**
(45) **Date of Patent:** **** Dec. 2, 2014**

- (54) **PACKAGE**
- (71) Applicant: **Kraft Foods Group Brands LLC**,
Northfield, IL (US)
- (72) Inventor: **Muluken Tilahun**, Waunakee, WI (US)
- (73) Assignee: **Kraft Foods Group Brands LLC**,
Northfield, IL (US)
- (**) Term: **14 Years**

3,554,770	A *	1/1971	Lipsky et al.	426/107
3,703,384	A *	11/1972	Seiferth et al.	426/121
3,803,332	A *	4/1974	Seiferth et al.	426/121
3,935,993	A	2/1976	Doyen et al.	
3,980,225	A	9/1976	Kan	
4,003,184	A *	1/1977	Shiu	53/461
4,268,530	A *	5/1981	Wyslotsky	426/121
4,362,948	A	12/1982	Weissenfluh	
4,371,553	A *	2/1983	Gilling et al.	426/124
4,411,364	A *	10/1983	Friedman	206/466
4,786,513	A *	11/1988	Monforton et al.	426/107
5,036,645	A *	8/1991	Schwarz	53/412
5,041,325	A *	8/1991	Larson et al.	428/156

(Continued)

(21) Appl. No.: **29/445,121**

(22) Filed: **Feb. 7, 2013**

(51) **LOC (10) Cl.** **09-03**

(52) **U.S. Cl.**
USPC **D9/720**

(58) **Field of Classification Search**
USPC D9/414, 715, 720, 721, 722; 229/1.5,
229/87.08, 87.11, 100, 117.27, 117.28,
229/117.31, 117.34, 123.2, 164.1, 200, 201,
229/203, 245; 206/448, 484, 569, 570, 769,
206/770, 772, 775, 776, 778, 779; 426/87,
426/121-124, 129

See application file for complete search history.

(56) **References Cited**

U.S. PATENT DOCUMENTS

1,711,372	A *	4/1929	Carter	426/121
1,929,217	A	3/1933	Rosen	
D117,068	S *	10/1939	Laitman	D9/722
2,466,191	A *	4/1949	Wiesman	426/121
2,639,032	A *	5/1953	Budd	206/335
2,917,166	A *	12/1959	Lidgard	206/448
2,927,029	A *	3/1960	Long	426/121
3,028,001	A *	4/1962	Gleim	206/448
3,145,112	A *	8/1964	Boegershausen	426/121
3,184,895	A *	5/1965	O'Connor	53/412
3,402,871	A *	9/1968	Palmer	220/671
3,437,258	A	4/1969	Kugler	
3,490,576	A *	1/1970	Alessi et al.	206/749

FOREIGN PATENT DOCUMENTS

WO WO 2012012015 A1 1/2012

OTHER PUBLICATIONS

International Search Report issued in International application No. PCT/US2014/013826 on May 19, 2014.

Primary Examiner — Derrick Holland

Assistant Examiner — Lauren Calve

(74) *Attorney, Agent, or Firm* — Fitch, Even, Tabin & Flannery LLP

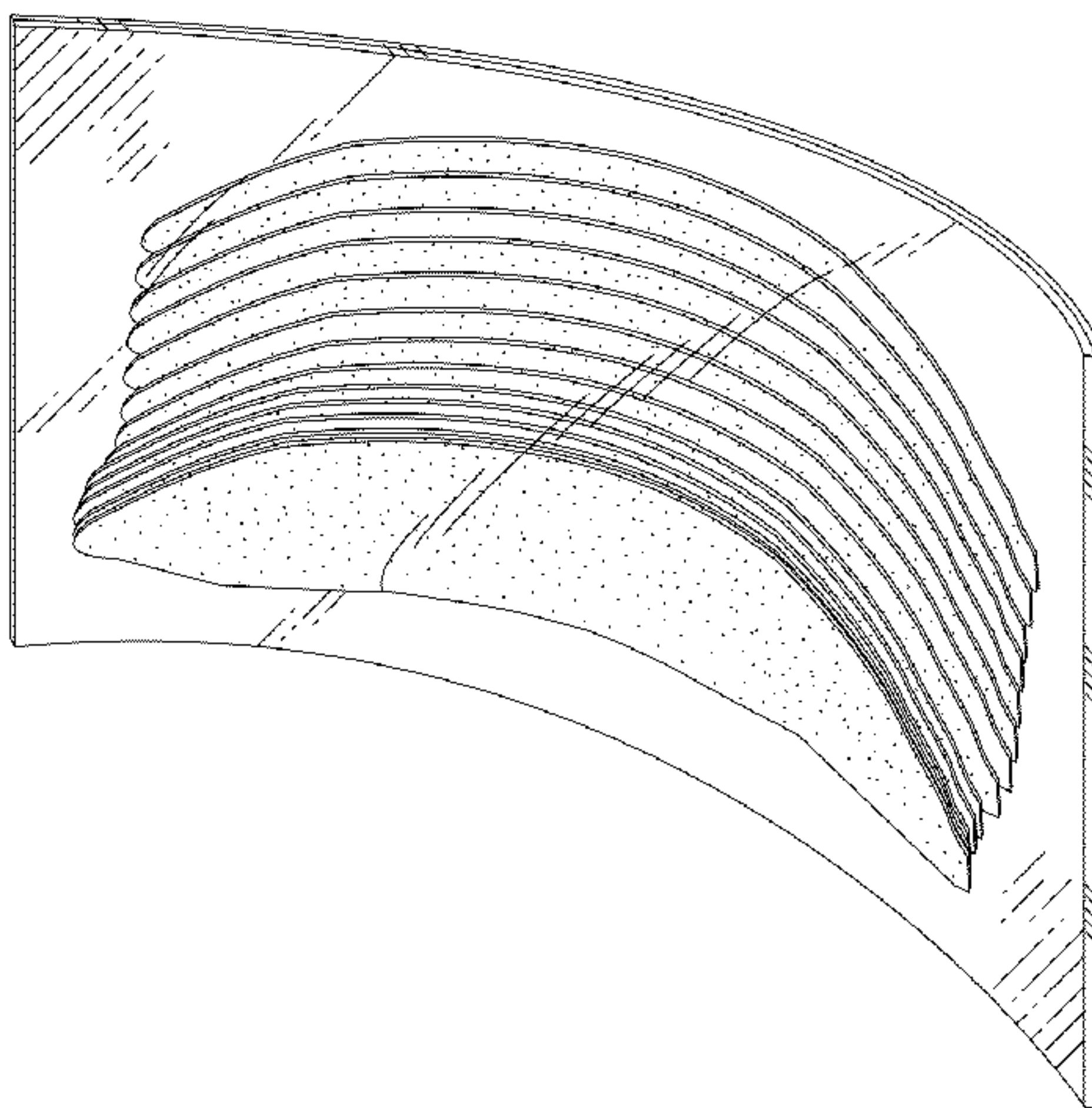
(57) **CLAIM**

The ornamental design for a package, as shown and described.

DESCRIPTION

FIG. 1 is a perspective view of a package showing my new design;
FIG. 2 is a front elevation view thereof;
FIG. 3 is a rear elevation view thereof;
FIG. 4 is a left side elevation view thereof;
FIG. 5 is a right side elevation view thereof;
FIG. 6 is a top plan view thereof; and,
FIG. 7 is a bottom plan view thereof.

1 Claim, 3 Drawing Sheets



(56)

References Cited

U.S. PATENT DOCUMENTS

5,134,875	A	8/1992	Jensen et al.	6,726,611	B2	4/2004	Hansen	
5,846,582	A	12/1998	Mayfield et al.	7,247,329	B2 *	7/2007	Mattisson	426/108
5,904,263	A	5/1999	St. Pierre et al.	D584,944	S *	1/2009	Kirk et al.	D9/416
6,110,512	A *	8/2000	Teasdale et al.	2001/0003114	A1	6/2001	Hansen	
6,458,396	B1 *	10/2002	Hirst	2007/0283602	A1	12/2007	Connors	
				2009/0188833	A1	7/2009	Klos	
				2010/0011641	A1	1/2010	Hill	

* cited by examiner

FIG. 1

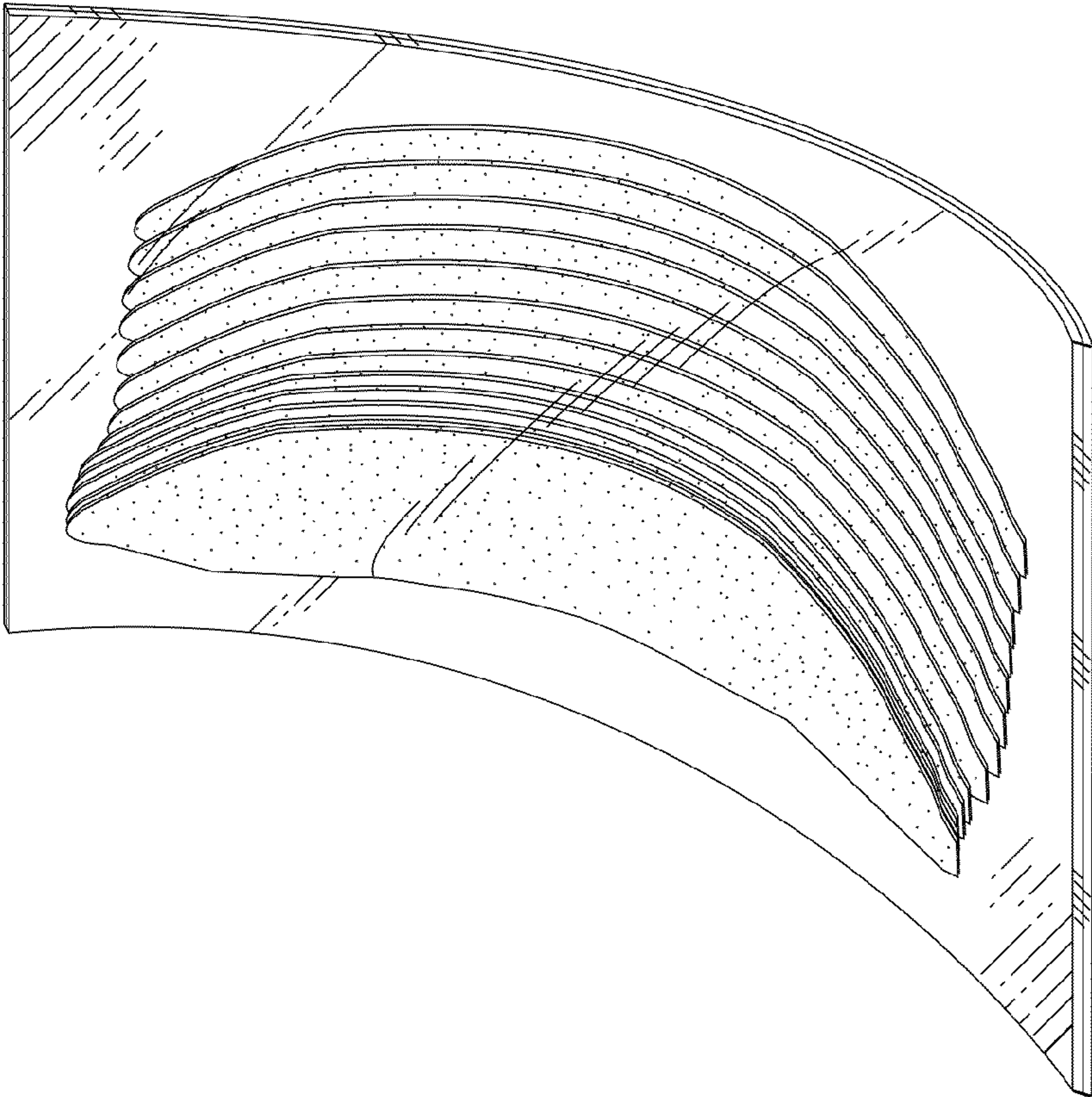


FIG. 2

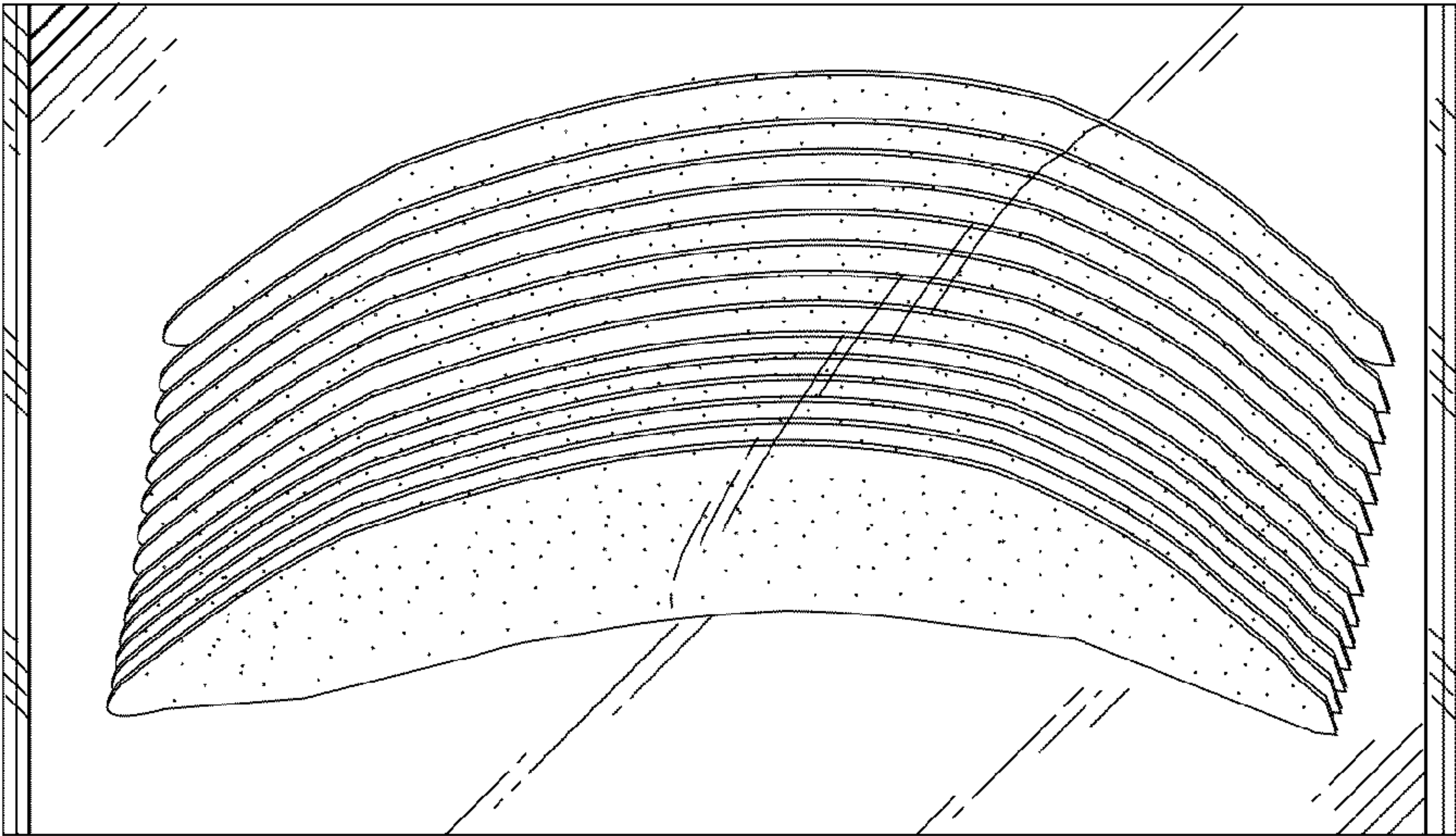


FIG. 3

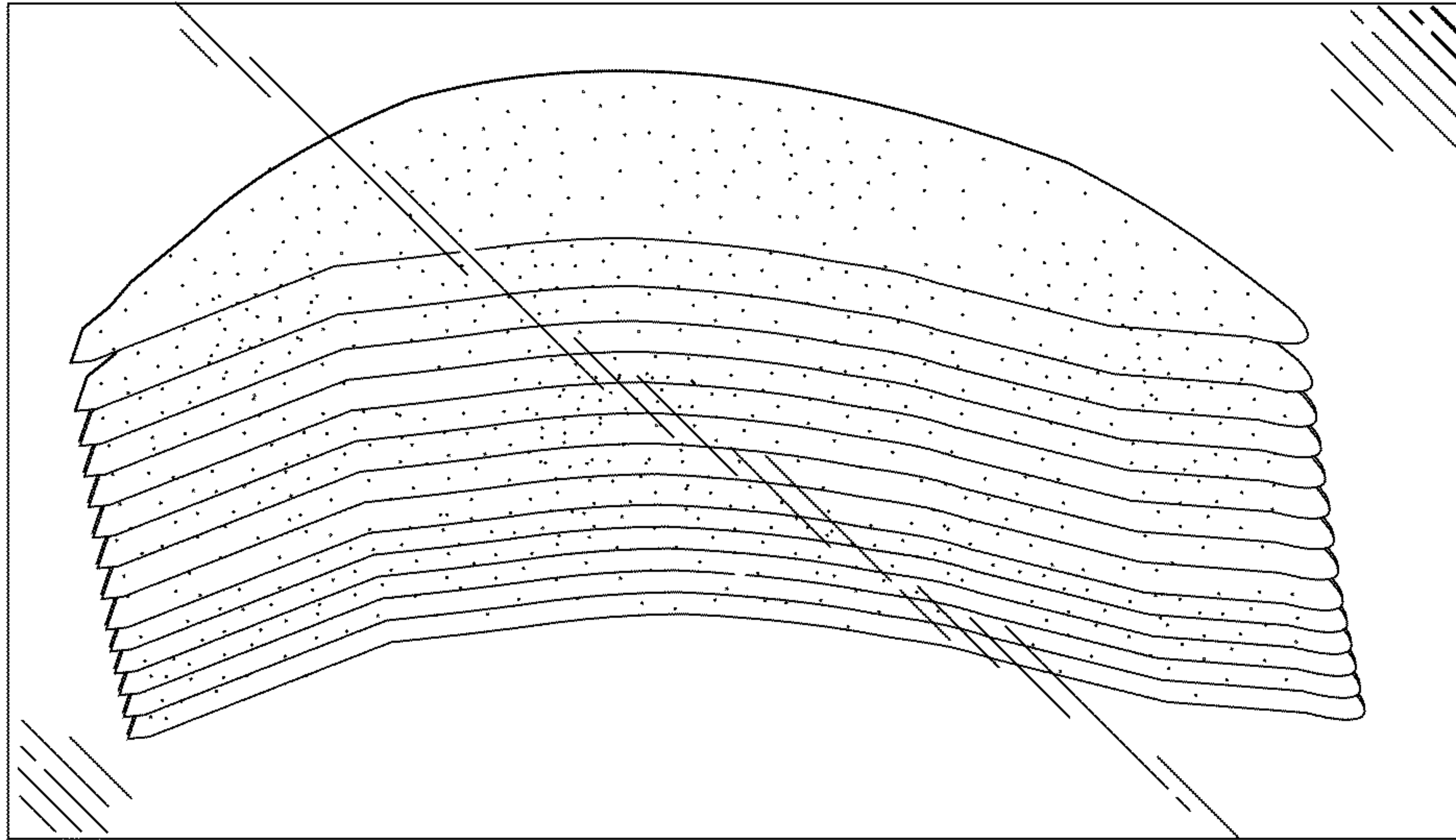


FIG. 4

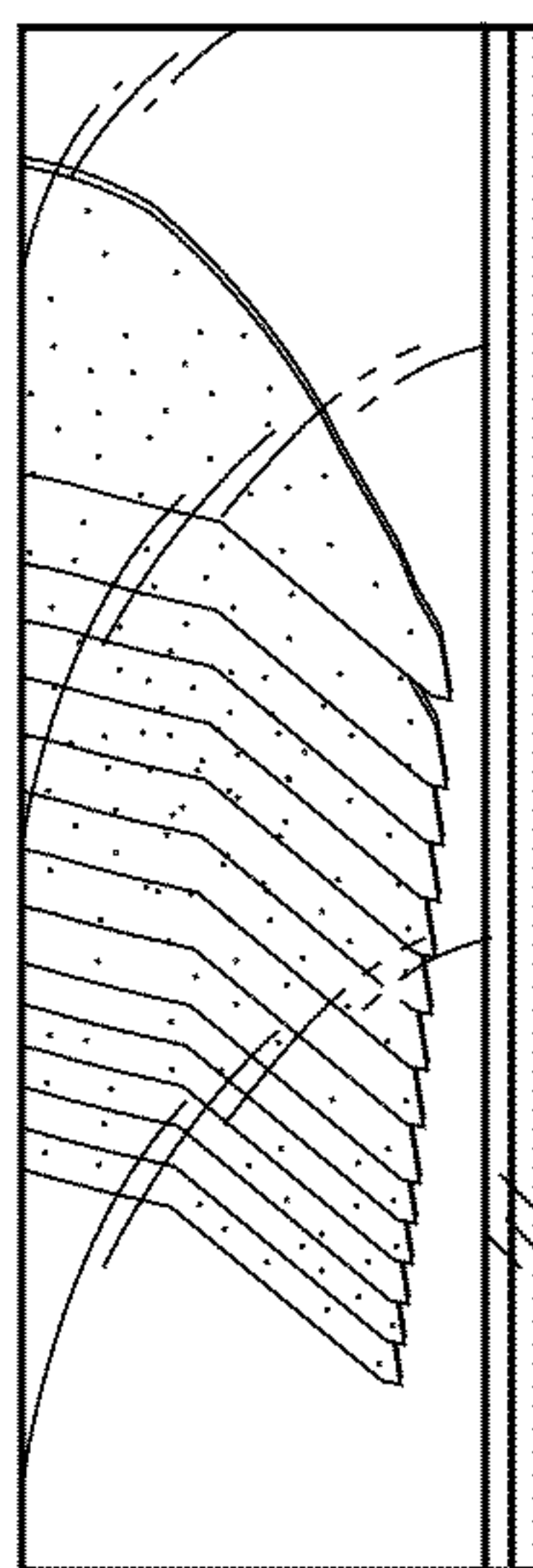


FIG. 5

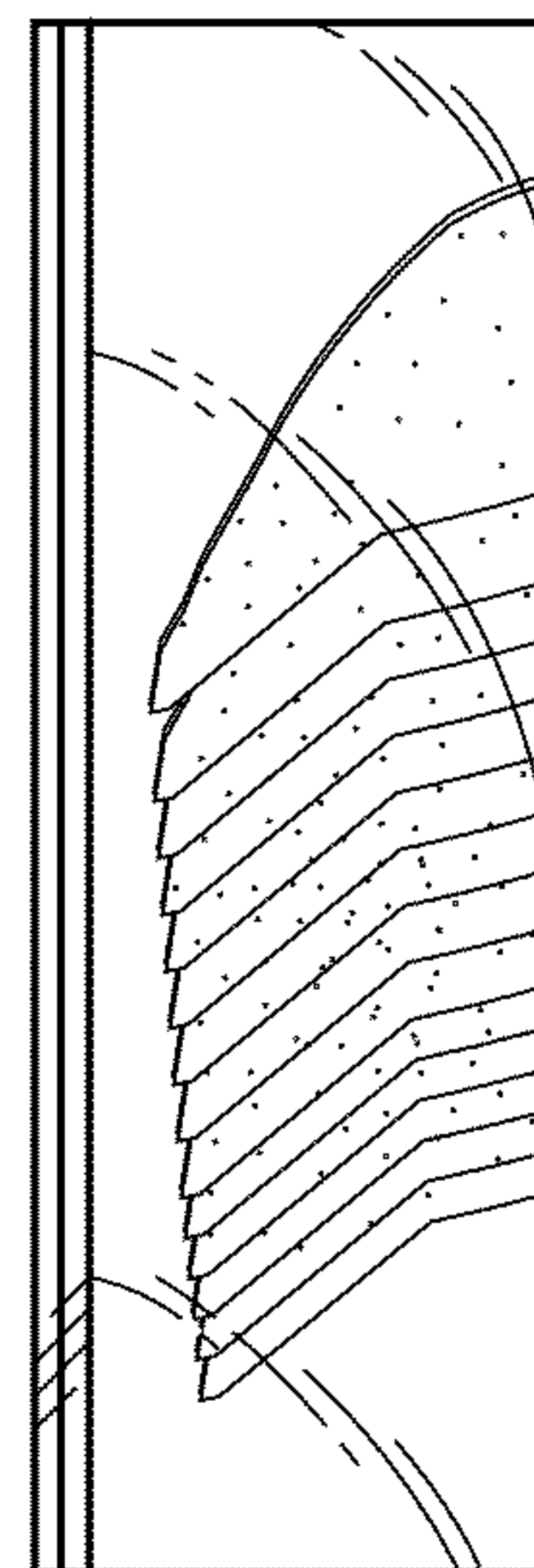


FIG. 6

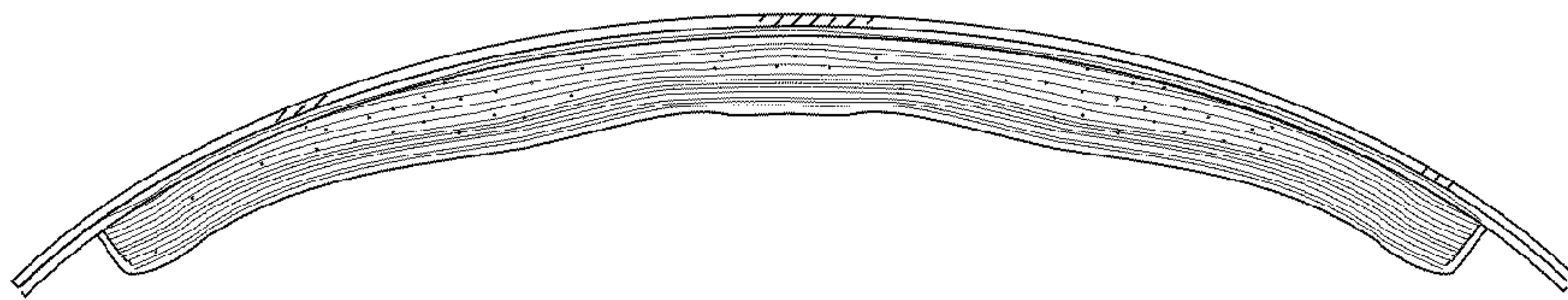


FIG. 7

