



US00D718641S

(12) **United States Design Patent**
Ryan et al.

(10) **Patent No.:** **US D718,641 S**

(45) **Date of Patent:** **** Dec. 2, 2014**

(54) **CONTAINER OVERWRAP**
(71) Applicant: **Chobani, Inc.**, Norwich, NY (US)
(72) Inventors: **Christopher Ryan**, New York, NY (US);
Niel Sandfort, Ridgewood, NJ (US);
Robert Englert, Jamesville, NY (US);
Antoine Andre Edmond Ramusat,
Twin Falls, ID (US); **Jean-Yves Latour**,
Utica, NY (US)

5,765,685 A * 6/1998 Roosa 206/434
5,855,275 A * 1/1999 Hunter et al. 206/429
D484,798 S * 1/2004 Bukowski D9/433
D558,602 S * 1/2008 Kissner et al. D9/711
D582,791 S * 12/2008 Elmerhaus D9/721
D607,723 S * 1/2010 Dreier et al. D9/430
D607,724 S * 1/2010 Dreier et al. D9/430
D609,087 S * 2/2010 Dreier et al. D9/430
D639,679 S * 6/2011 Kissner et al. D9/739
D642,934 S * 8/2011 Ly D9/711
D693,242 S * 11/2013 Birchmeier D9/711
D701,454 S * 3/2014 Pryor D9/417
D710,213 S * 8/2014 Birchmeier D9/711

(73) Assignee: **Chobani, LLC**, Norwich, NY (US)

(**) Term: **14 Years**

(21) Appl. No.: **29/460,882**

(22) Filed: **Jul. 16, 2013**

(51) **LOC (10) Cl.** **09-05**

(52) **U.S. Cl.**
USPC **D9/711; D9/433**

(58) **Field of Classification Search**
CPC B29L 2031/7162; B29L 2031/7164;
B29L 2031/7166; B65D 1/22; B65D 1/34;
B65D 5/00; B65D 5/002; B65D 5/0025;
B65D 5/067-5/069; B65D 5/20; B65D 5/24;
B65D 5/42; B65D 5/46; B65D 5/64; B65D
5/72; B65D 5/74; B65D 21/00; B65D 43/162;
B65D 81/02; B65D 81/3813; B65D 71/12;
B65D 71/40; B65D 71/46
USPC D9/415-419, 420-425, 428, 429-435,
D9/444, 455-457; D19/1-3, 9-11, 86;
D7/538-542, 601, 602; D20/22, 42, 43
See application file for complete search history.

(56) **References Cited**

U.S. PATENT DOCUMENTS

3,443,681 A * 5/1969 Wysocki 206/508
3,784,000 A * 1/1974 Brown 426/115

OTHER PUBLICATIONS

<http://www.oikosyogurt.com/greek?yogurt/traditional?greek?yogurt/4?pack.aspx> Date Retrieved: Jul. 17, 2013.

* cited by examiner

Primary Examiner — Susan Bennett Hattan

Assistant Examiner — Vy Koenig

(74) *Attorney, Agent, or Firm* — Rajesh Vallabh; Foley Hoag LLP

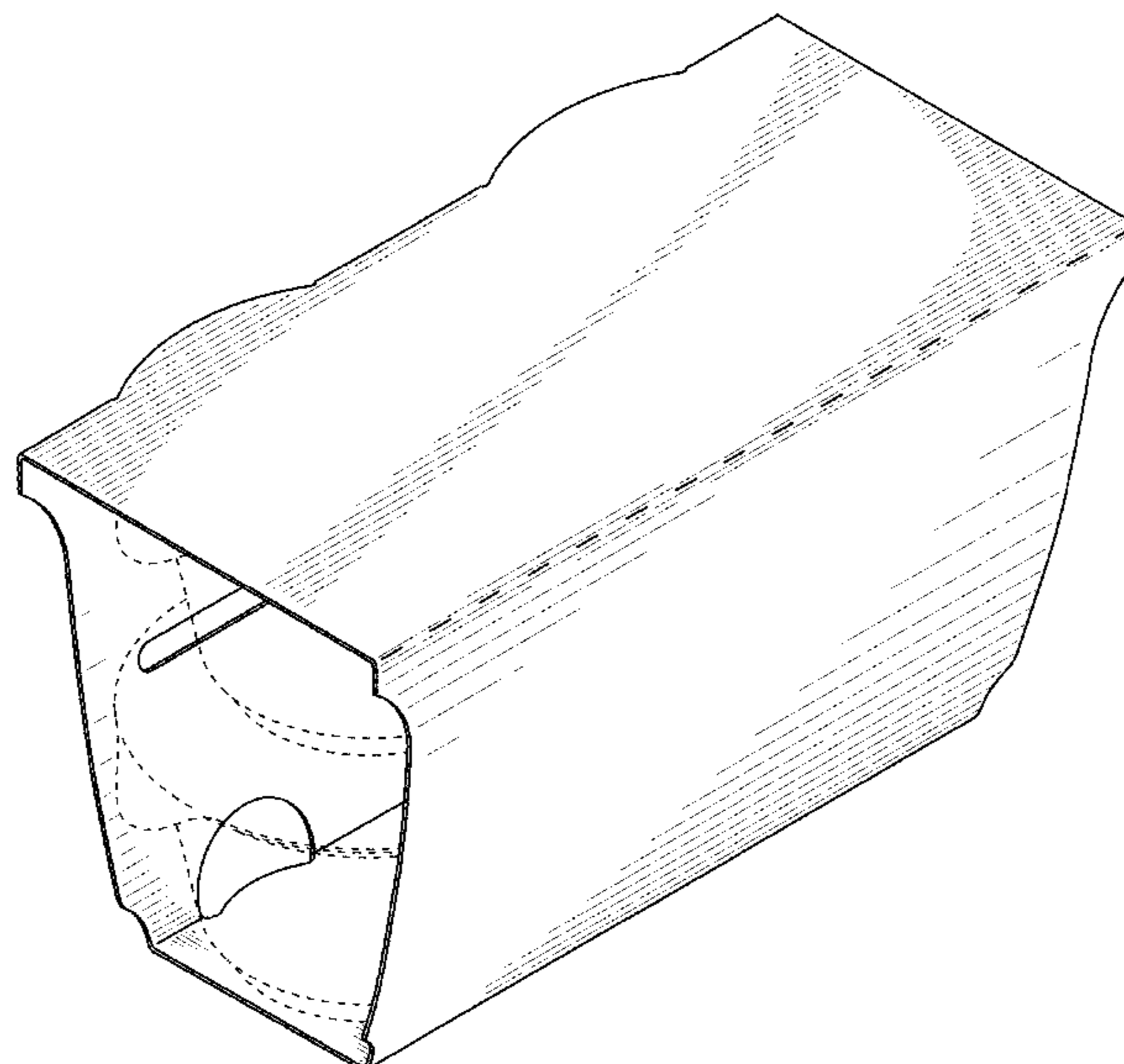
(57) **CLAIM**

The ornamental design for a container overwrap, as shown and described.

DESCRIPTION

FIG. 1 is a perspective view of a container overwrap showing our new design;
FIG. 2 is a front view thereof;
FIG. 3 is a bottom view thereof;
FIG. 4 is a top view thereof;
FIG. 5 is a rear view thereof;
FIG. 6 is a left side view thereof; and,
FIG. 7 is a right side view thereof.
The containers shown in broken lines depict environmental features that form no part of the claimed design.

1 Claim, 4 Drawing Sheets



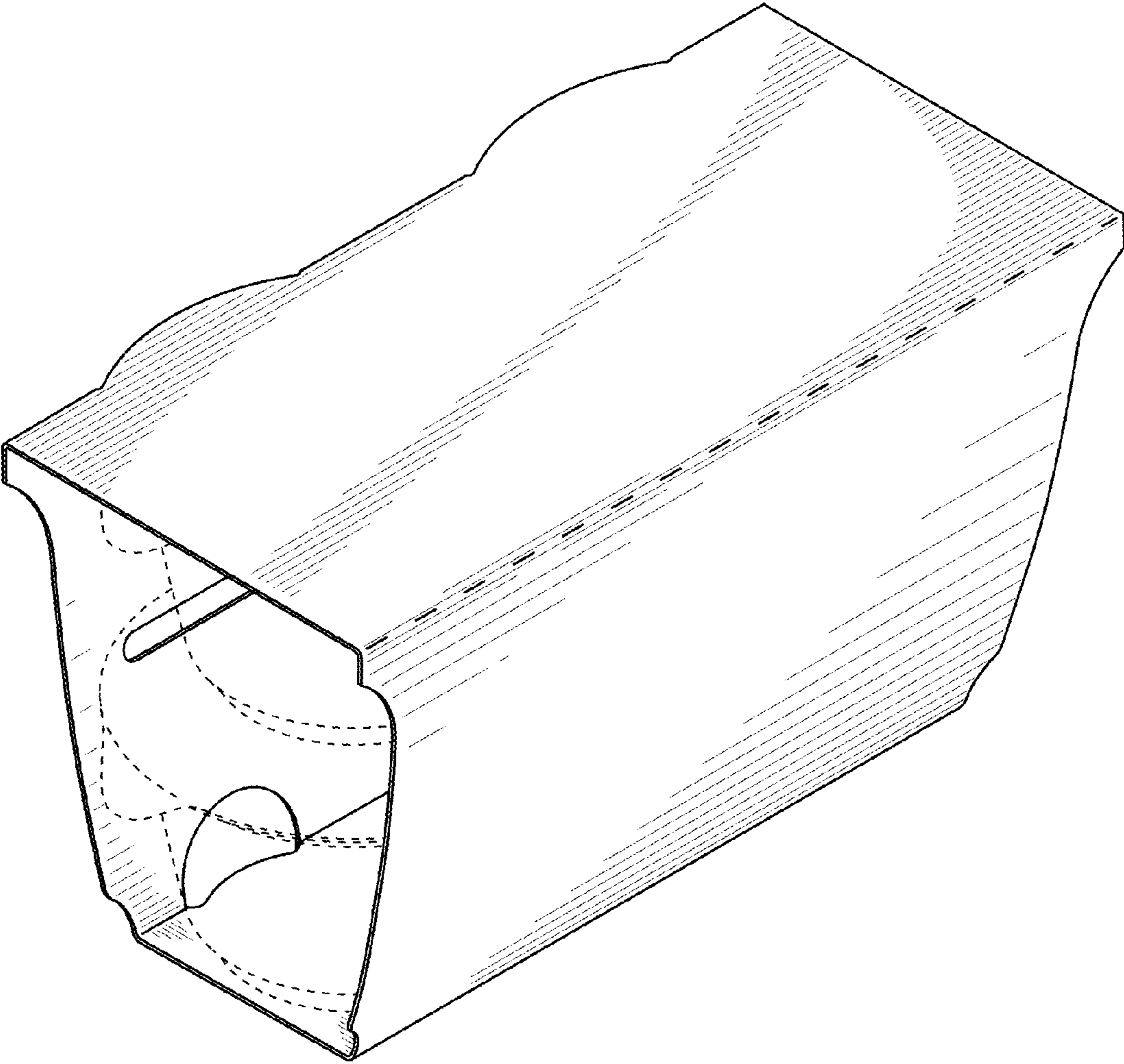


FIG. 1

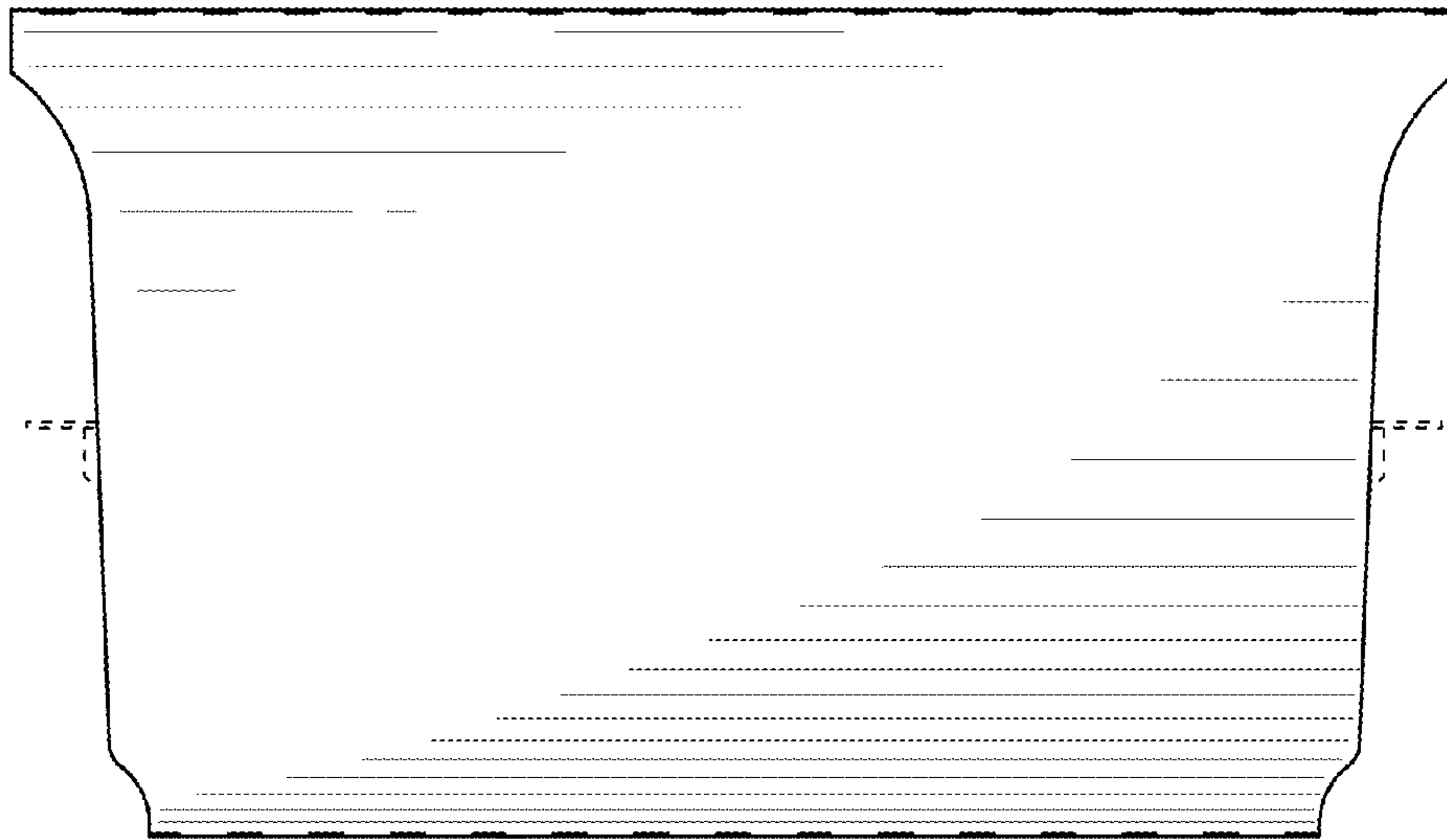


FIG. 2

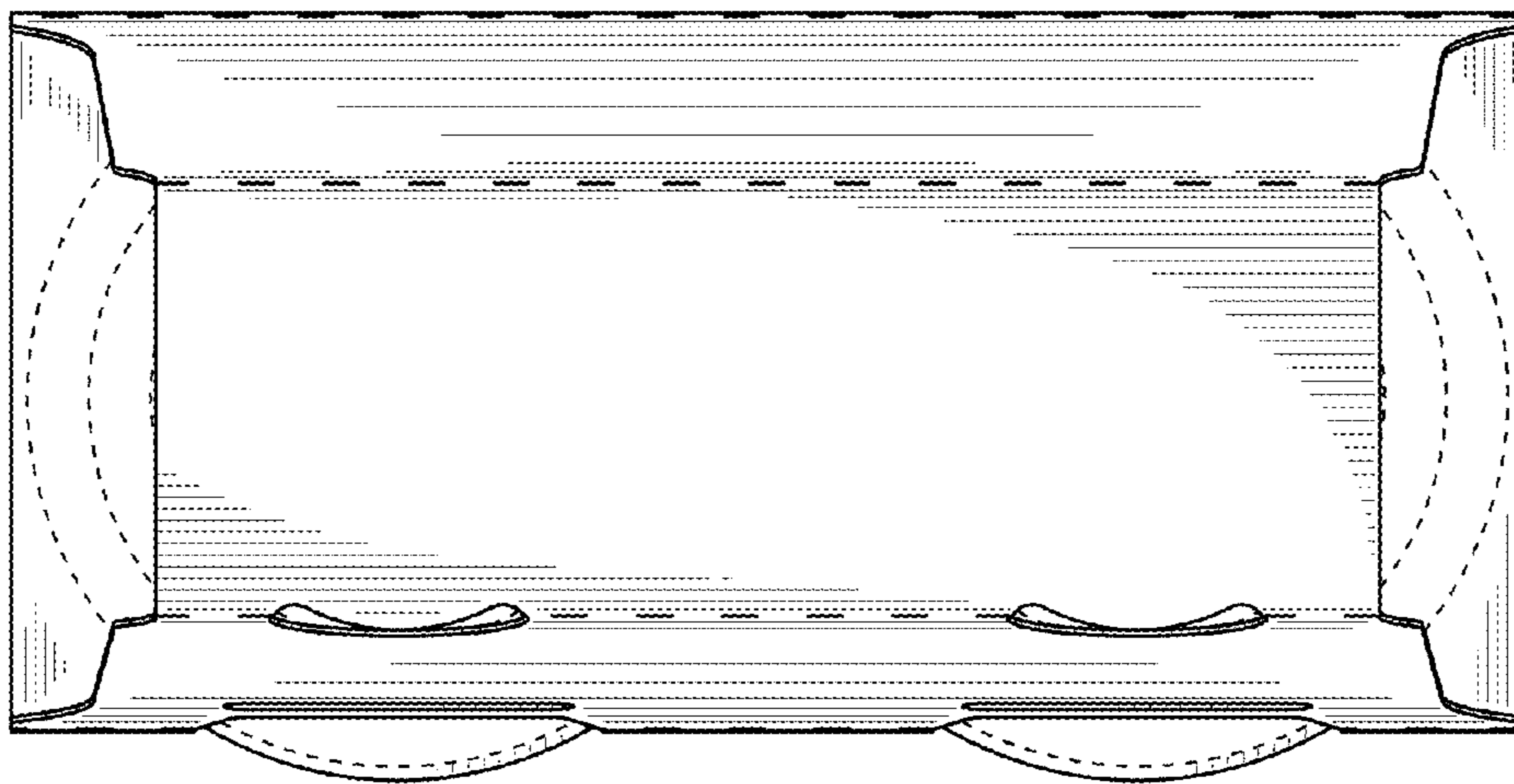


FIG. 3

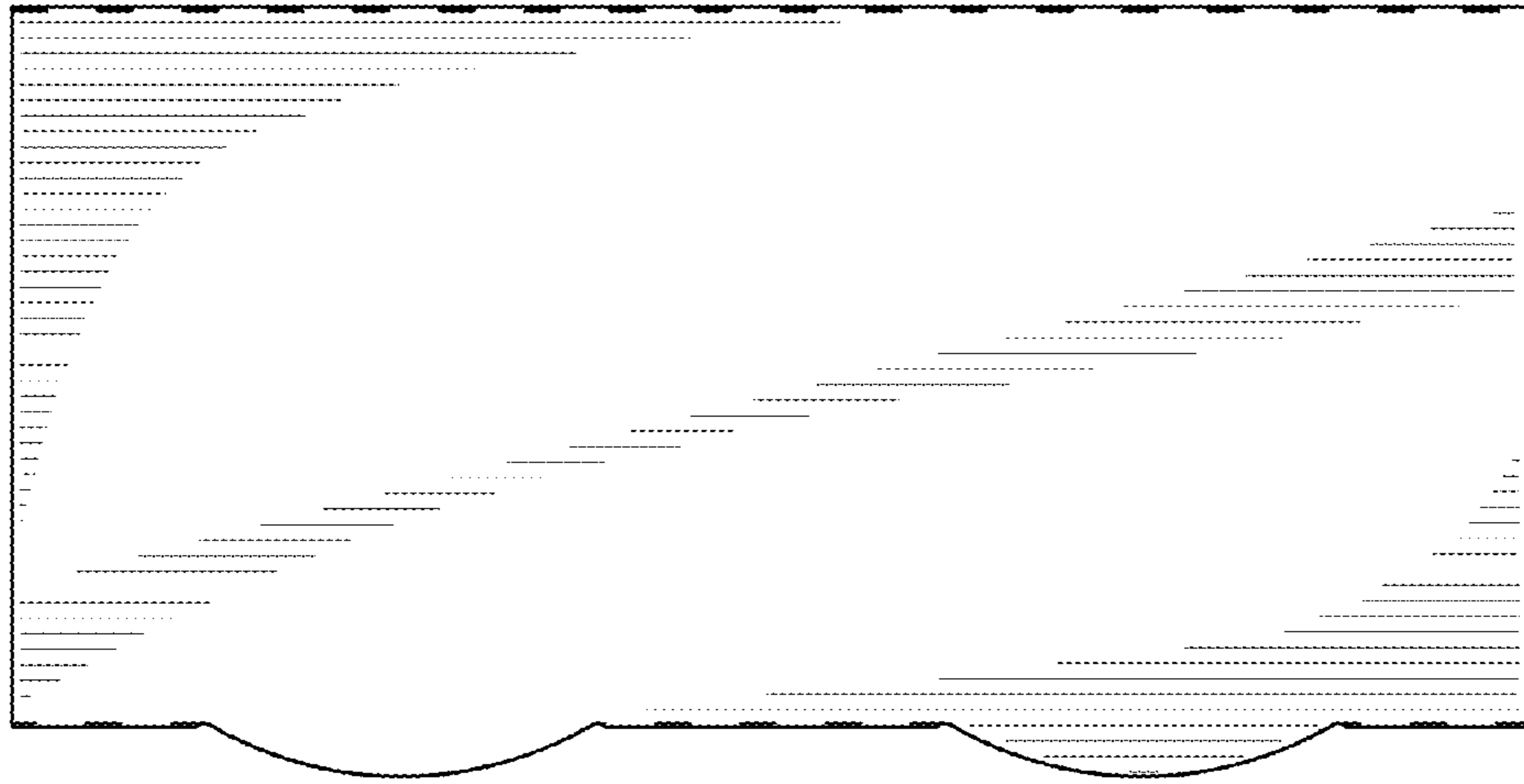


FIG. 4

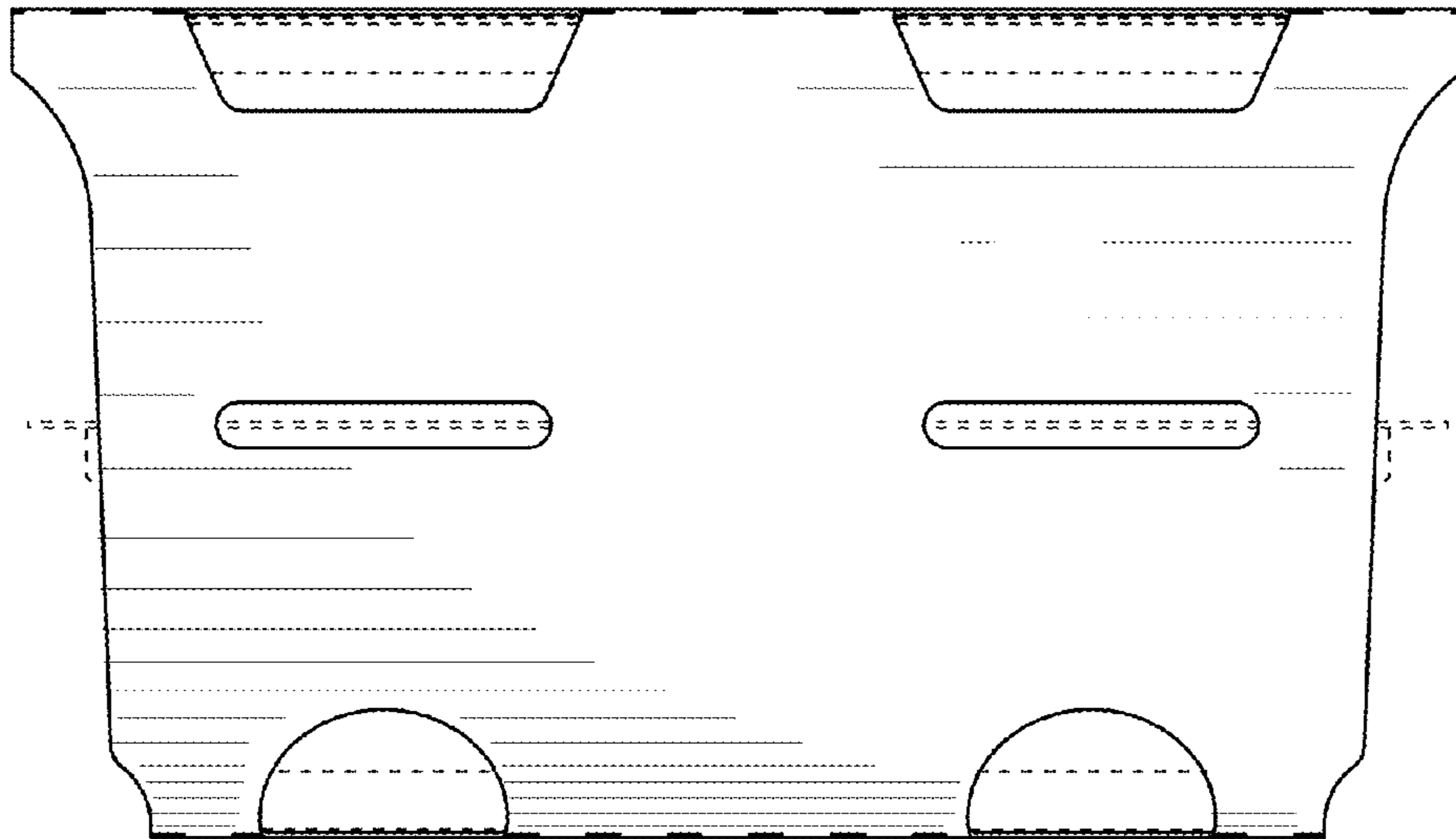


FIG. 5

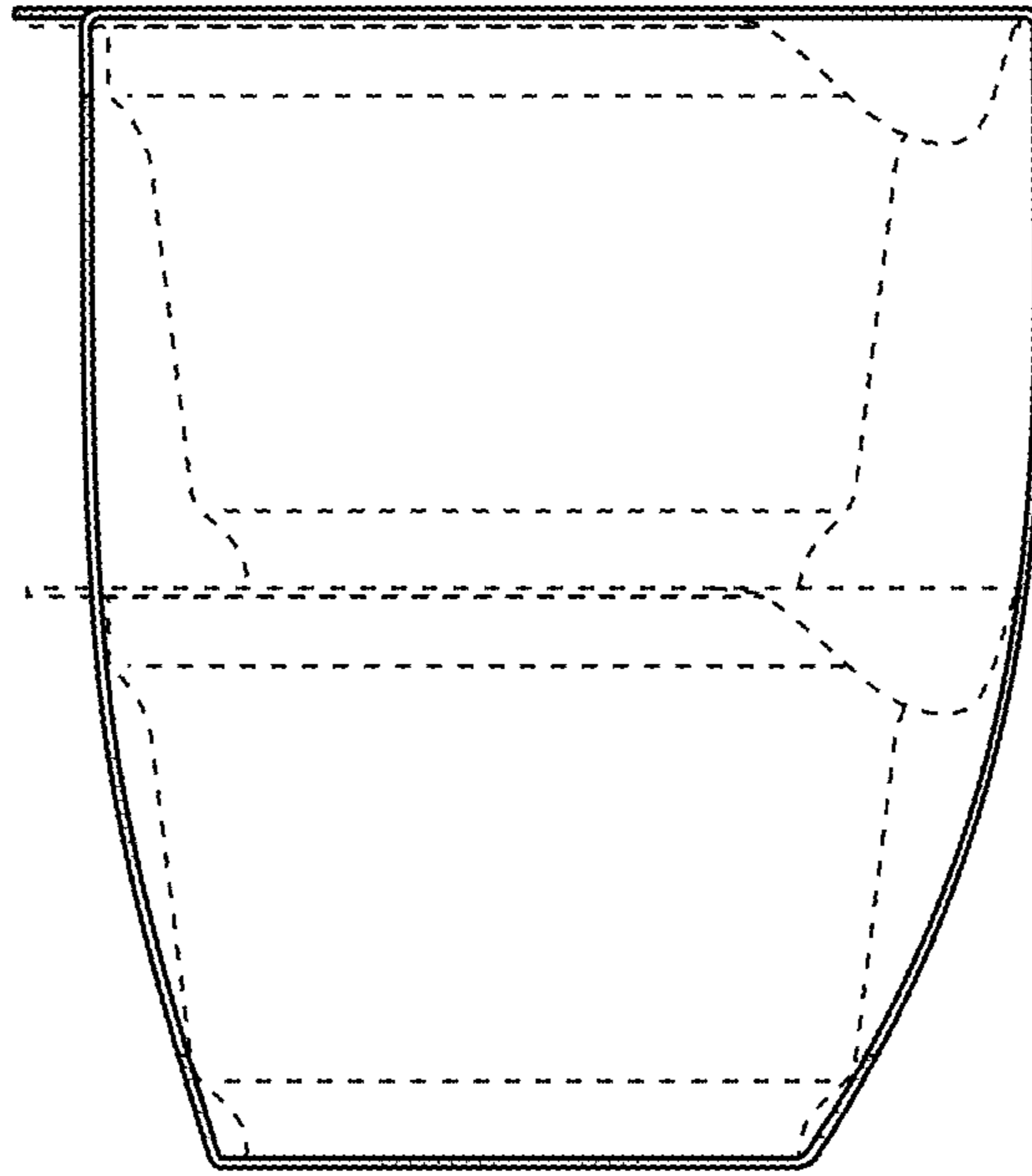


FIG. 6

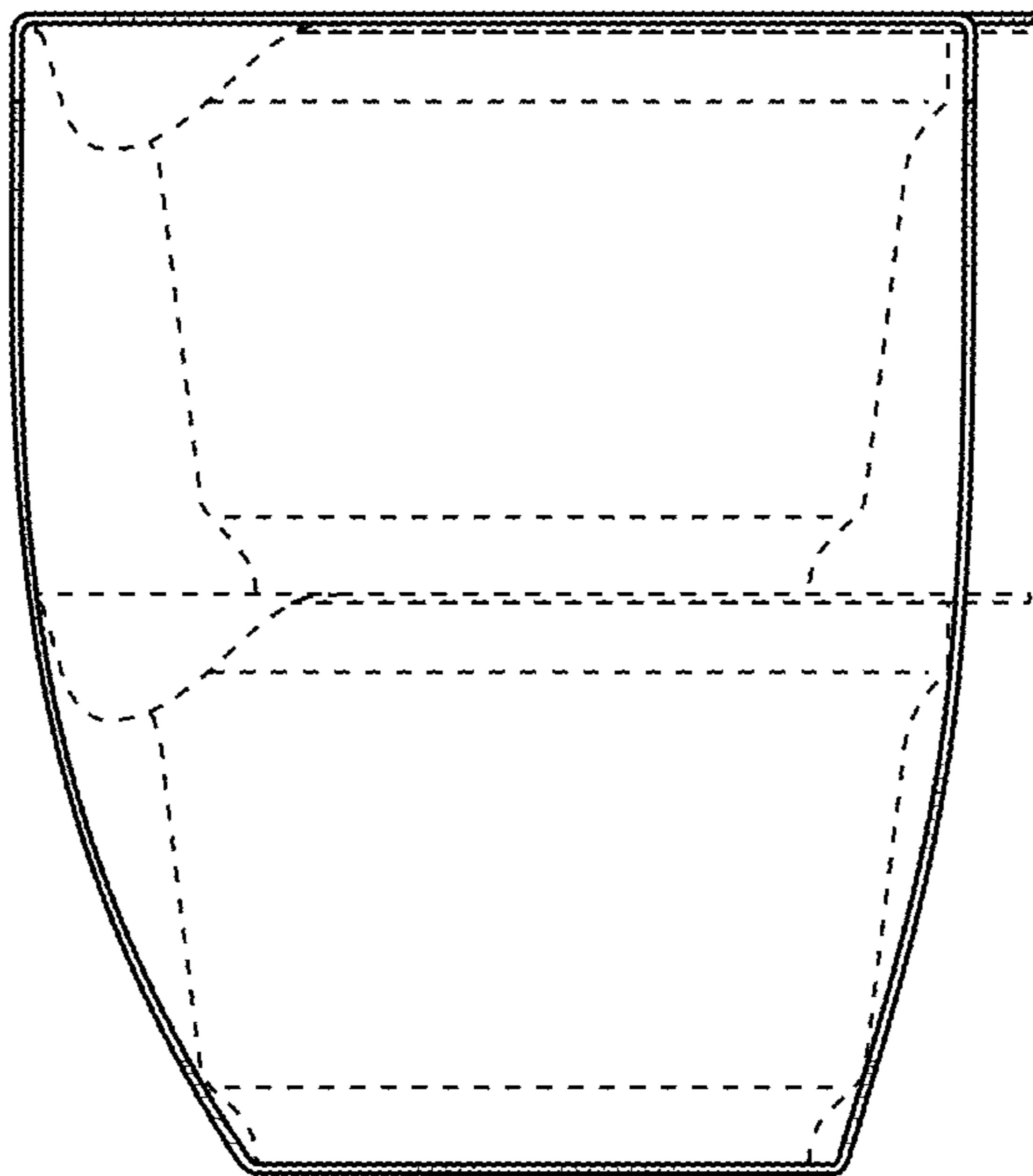


FIG. 7