



US00D718639S

(12) **United States Design Patent**
Guichot

(10) **Patent No.:** **US D718,639 S**
(45) **Date of Patent:** **** Dec. 2, 2014**

(54) **PERFUME BOTTLE**

(71) Applicant: **Balenciaga**, Paris (FR)

(72) Inventor: **Isabelle Guichot**, Paris (FR)

(73) Assignee: **Balenciaga**, Paris (FR)

(**) Term: **14 Years**

(21) Appl. No.: **29/470,620**

(22) Filed: **Oct. 23, 2013**

(51) **LOC (10) Cl.** **09-01**

(52) **U.S. Cl.**
USPC **D9/663**; D9/655; D9/544; D9/572

(58) **Field of Classification Search**
USPC D9/500-504, 537-559, 563-566,
D9/572-575, 600, 655-664, 686-687,
D9/694; 215/381-384
See application file for complete search history.

(56) **References Cited**

U.S. PATENT DOCUMENTS

D60,472 S *	2/1922	Smith	D9/573
D353,324 S *	12/1994	Rice, III	D9/661
D379,766 S *	6/1997	Schneider et al.	D9/542
D536,259 S *	2/2007	Herrmann	D9/573
D547,670 S *	7/2007	Heisner	D9/658
D574,257 S *	8/2008	Zeidan	D9/694
D575,163 S *	8/2008	Venturini Fendi	D9/544
D589,814 S *	4/2009	Holzner et al.	D9/546

D606,418 S *	12/2009	Crespin	D9/572
D614,040 S *	4/2010	Holmes et al.	D9/542
D619,470 S *	7/2010	Zeidan	D9/544
D677,577 S *	3/2013	Bentley	D9/661
D695,126 S *	12/2013	Versace	D9/566

OTHER PUBLICATIONS

Balenciaga Florabotanica bottle, printed Jan. 16, 2013. www.lipstickrules.com/2013/01/mad-about-florabotanica.html.*
U.S. Appl. No. 29/440,817 for Perfume Bottle, inventor Isabelle Guichot filed Dec. 27, 2012.

* cited by examiner

Primary Examiner — Sandra Morris

(74) *Attorney, Agent, or Firm* — Donald J. Ranft; Collen IP

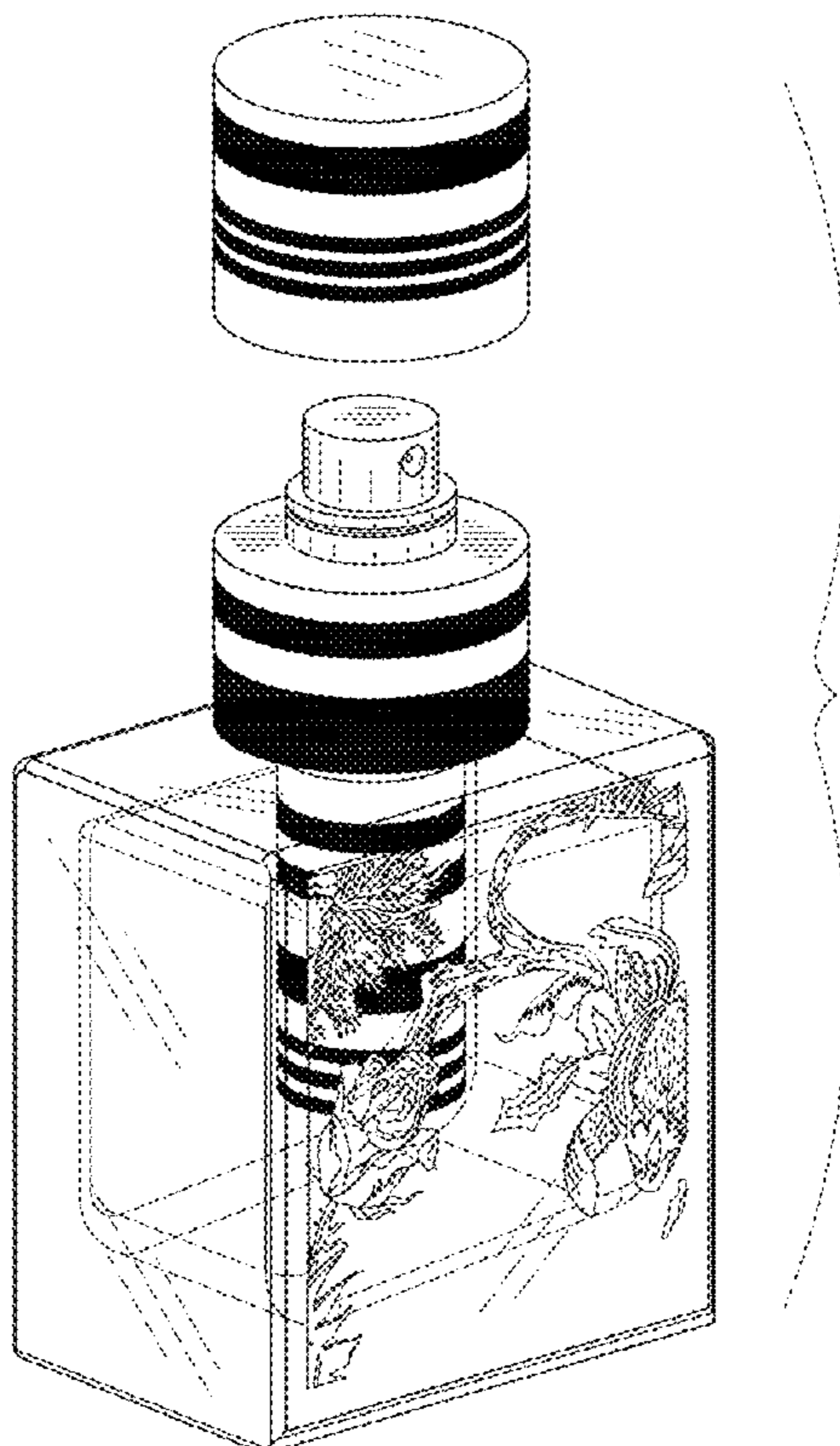
(57) **CLAIM**

The ornamental design for a perfume bottle, as shown.

DESCRIPTION

FIG. 1 is a front top left perspective view of a perfume bottle showing my new design;
FIG. 2 is a rear bottom right perspective view thereof;
FIG. 3 is a front view thereof;
FIG. 4 is a rear view thereof;
FIG. 5 is a left side view thereof;
FIG. 6 is a right side view thereof;
FIG. 7 is a top view thereof;
FIG. 8 is a bottom view thereof;
FIG. 9 is a front top right view with lid removed thereof; and,
FIG. 10 is a rear top left view with lid removed thereof.

1 Claim, 8 Drawing Sheets



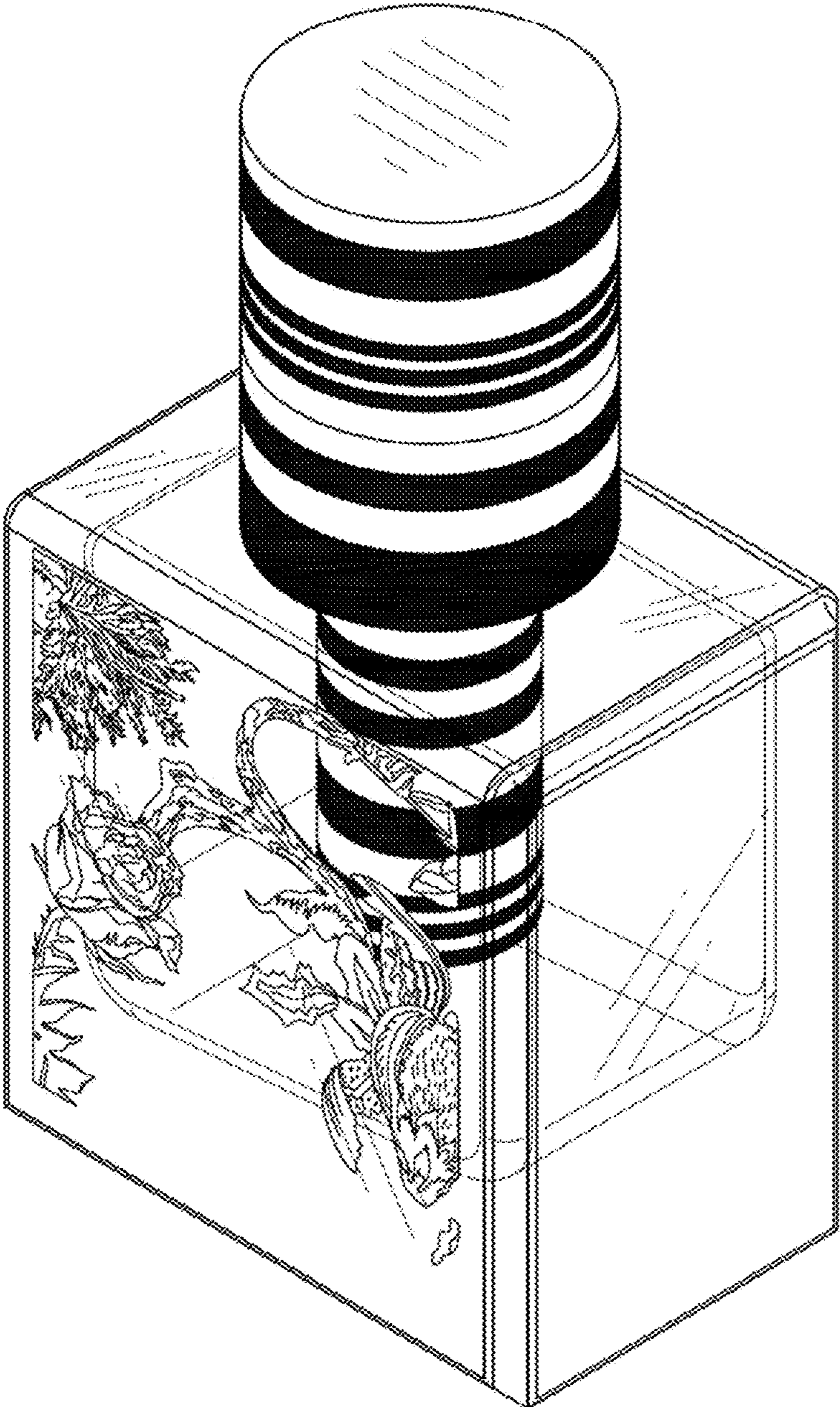


FIG. 1

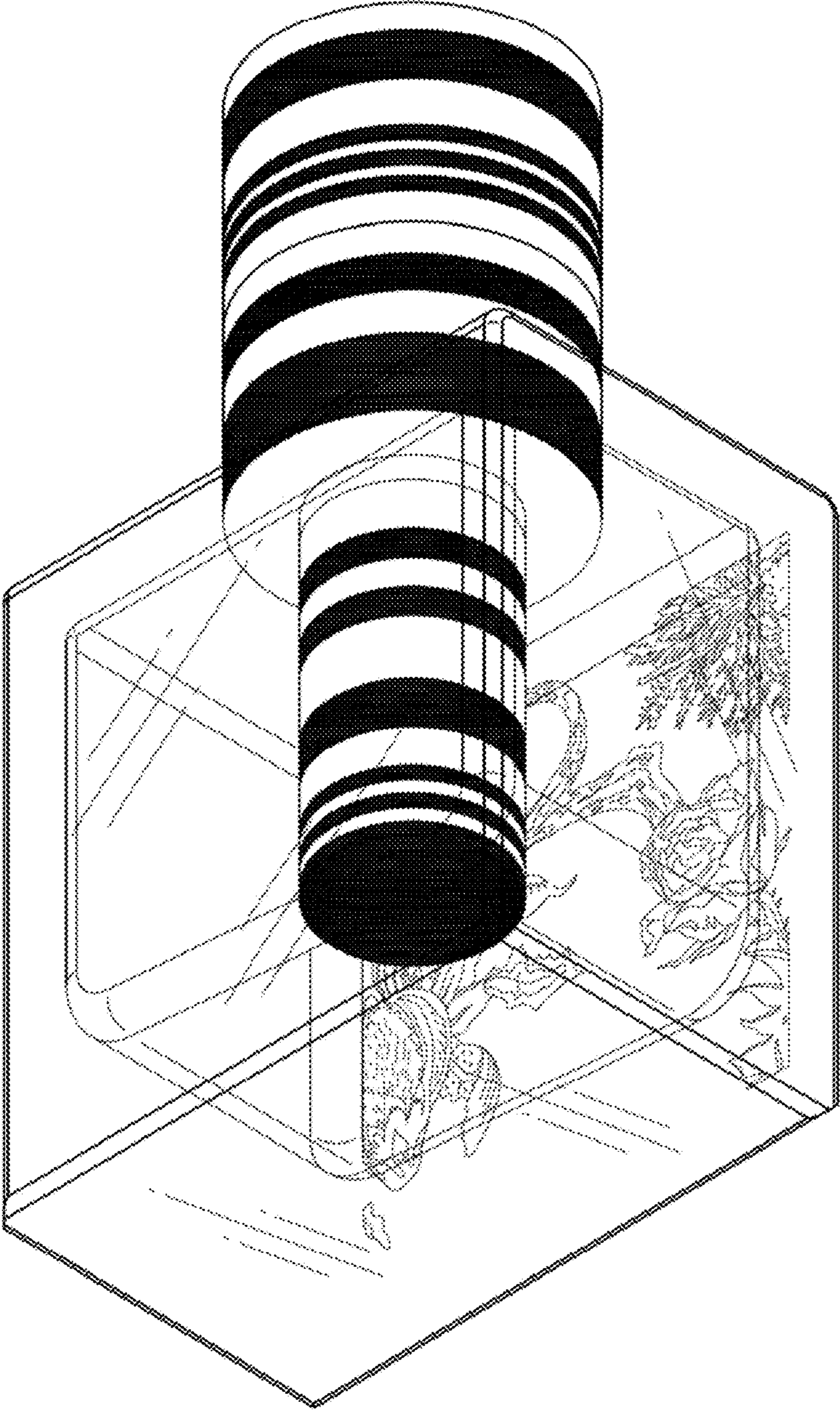


FIG. 2

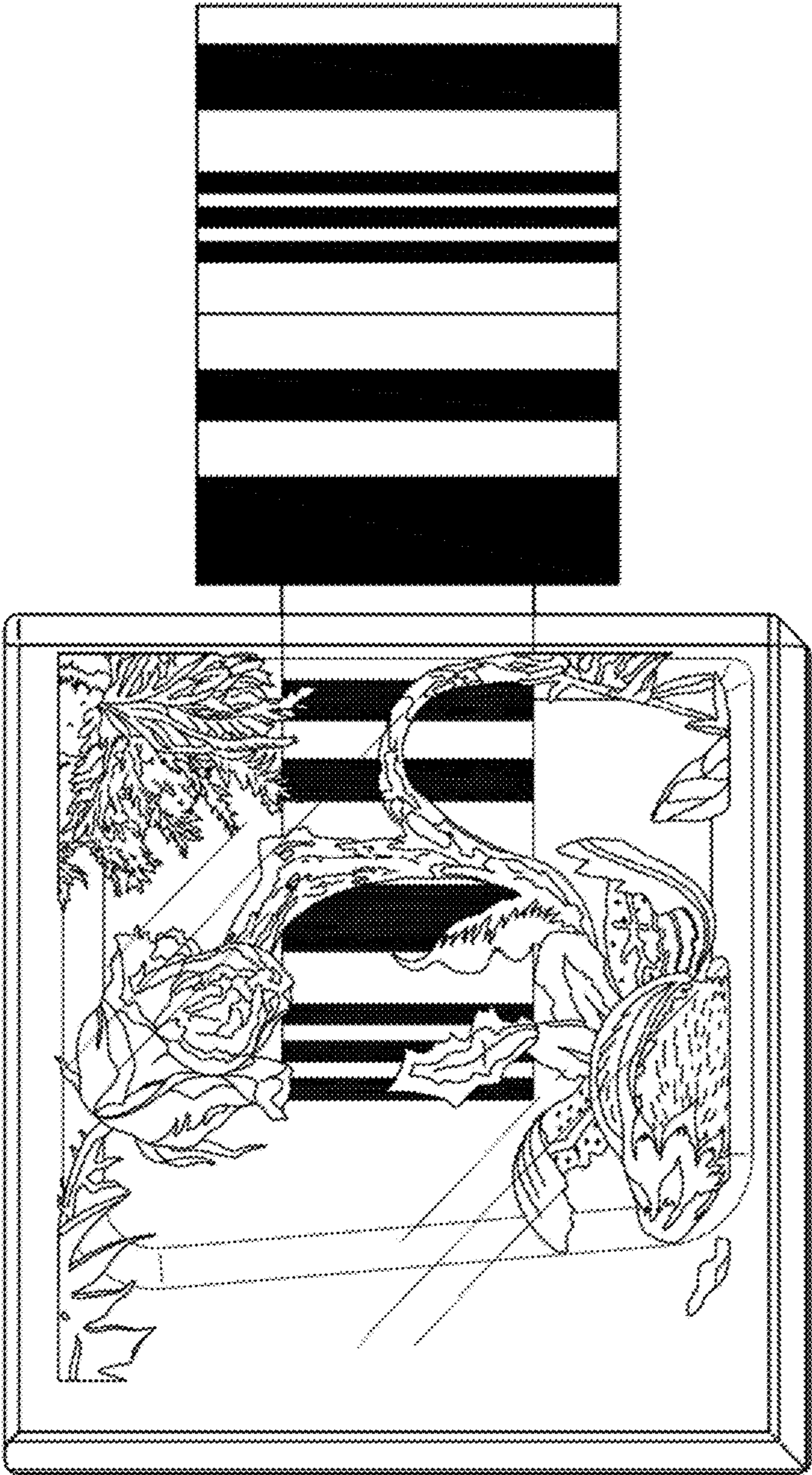


FIG. 3

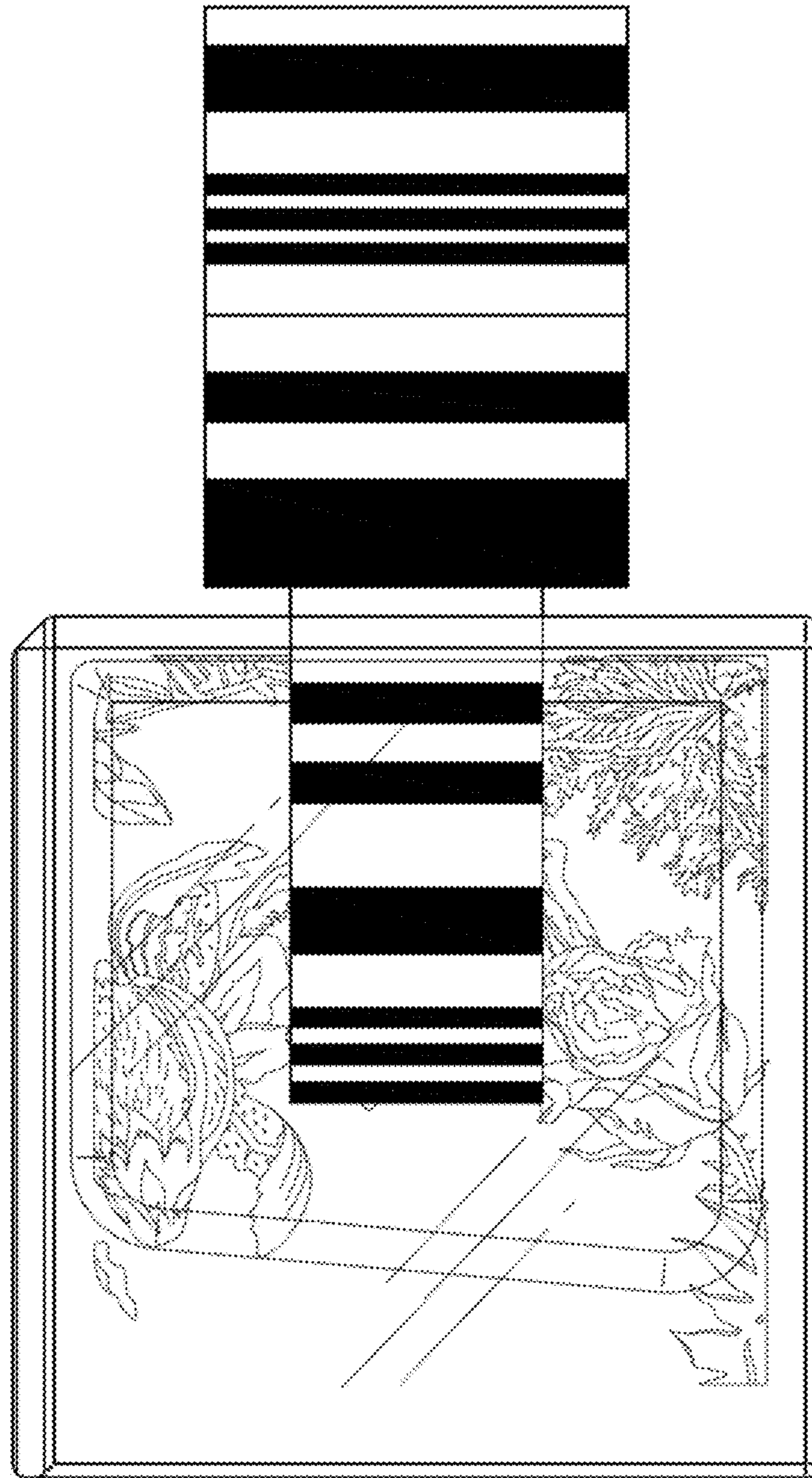


FIG. 4

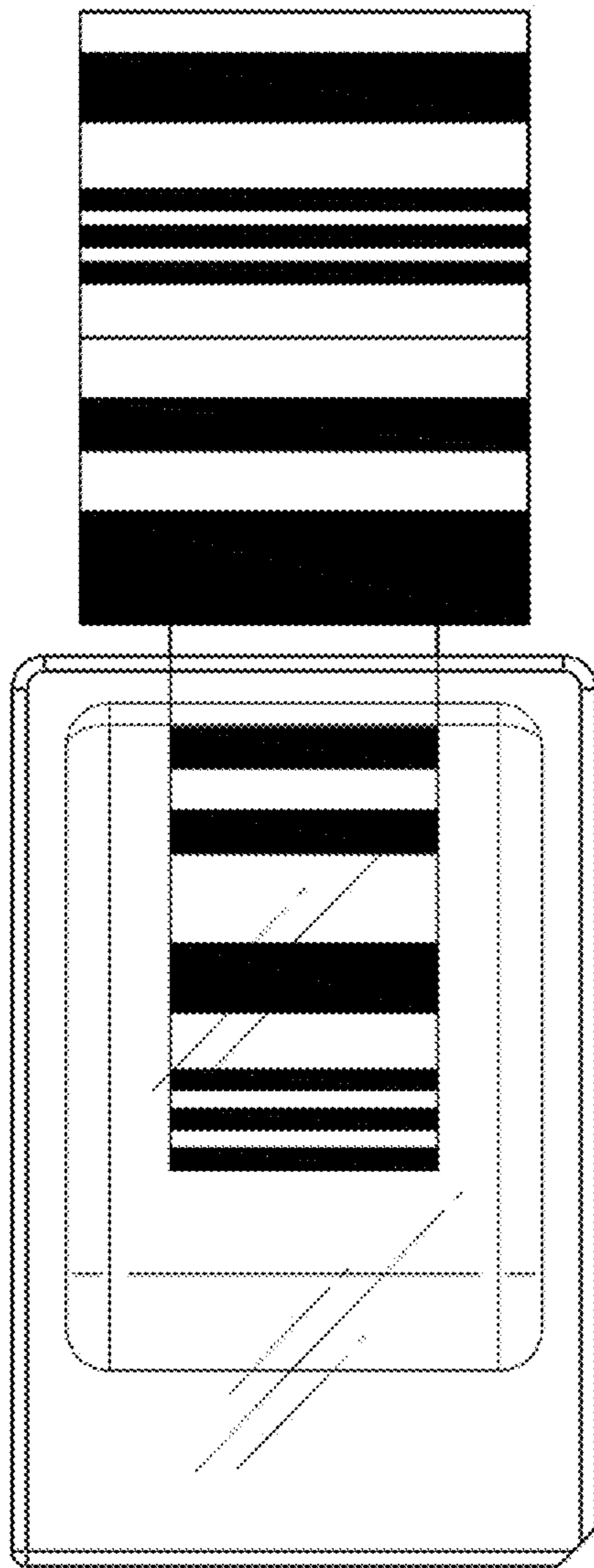


FIG. 5

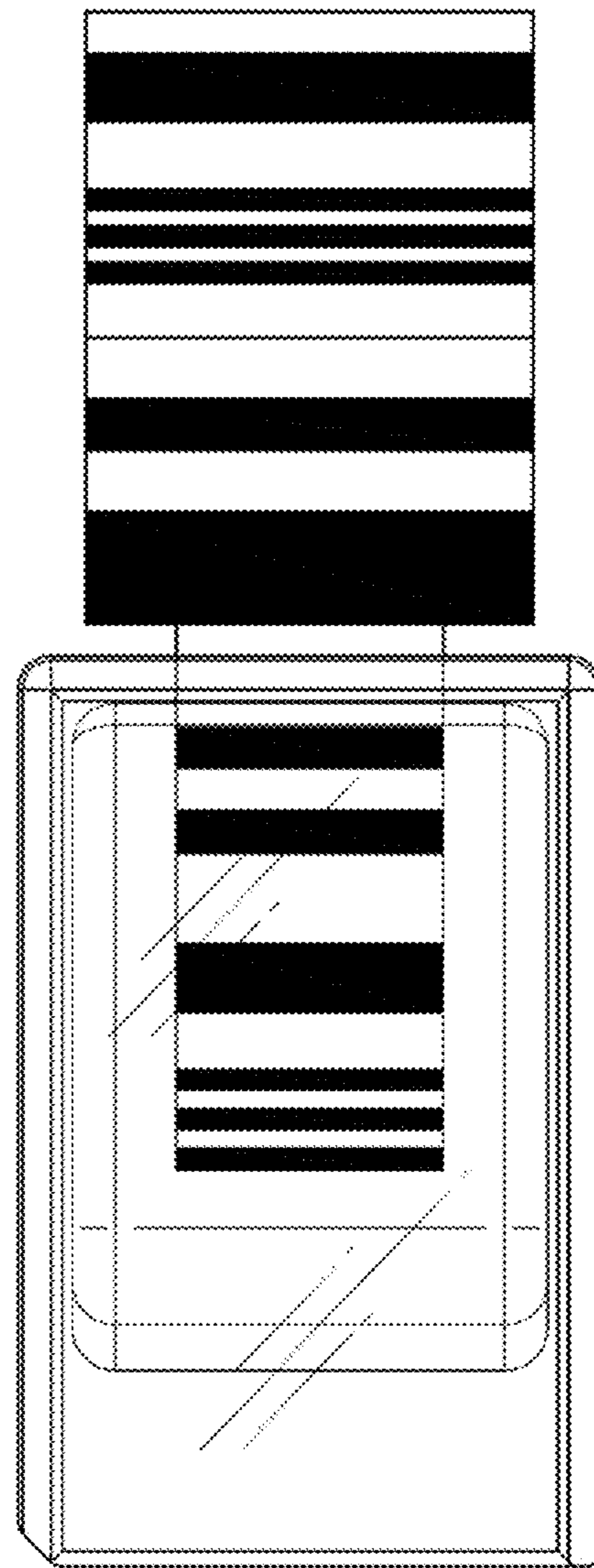


FIG. 6

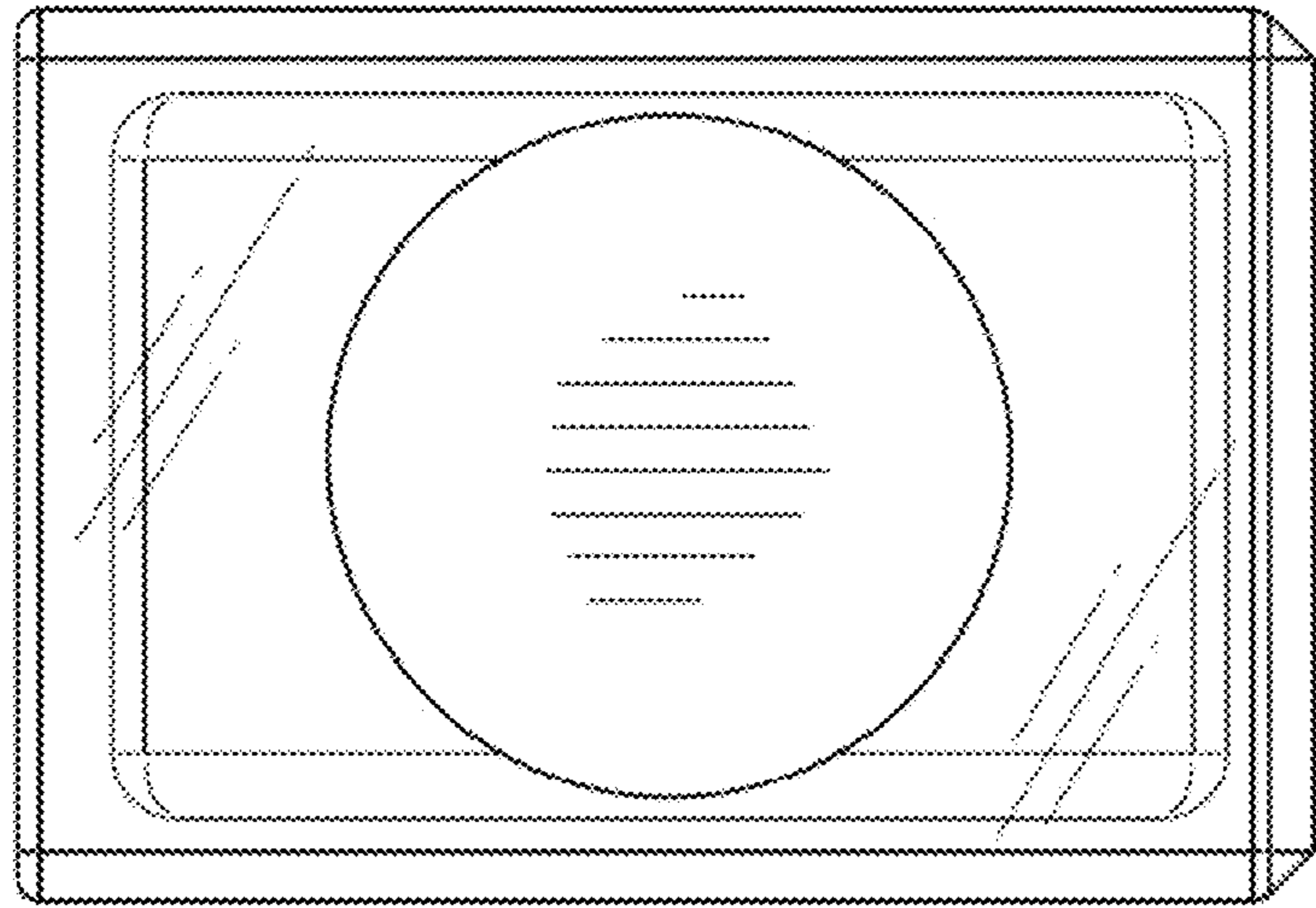


FIG. 7

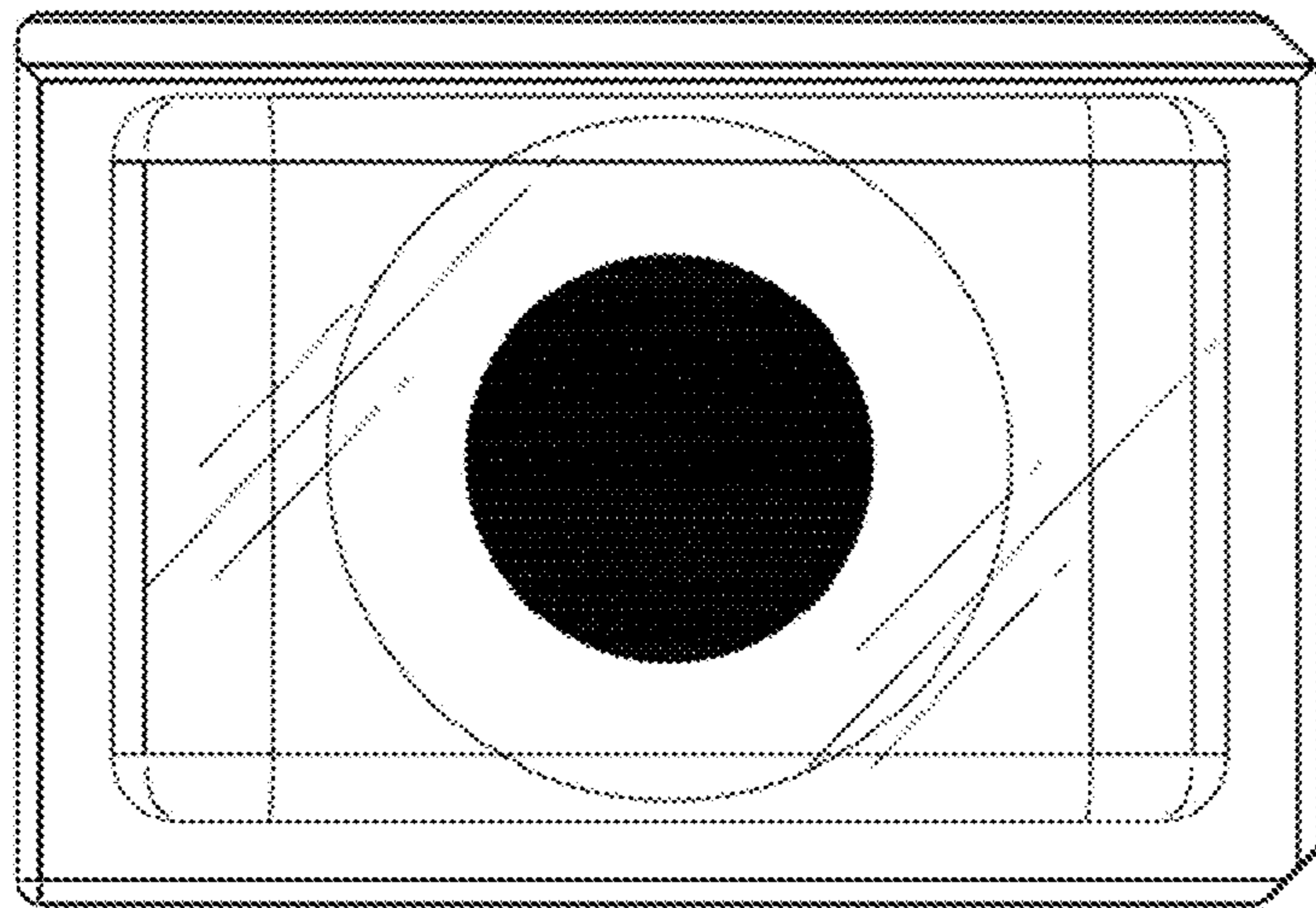


FIG. 8

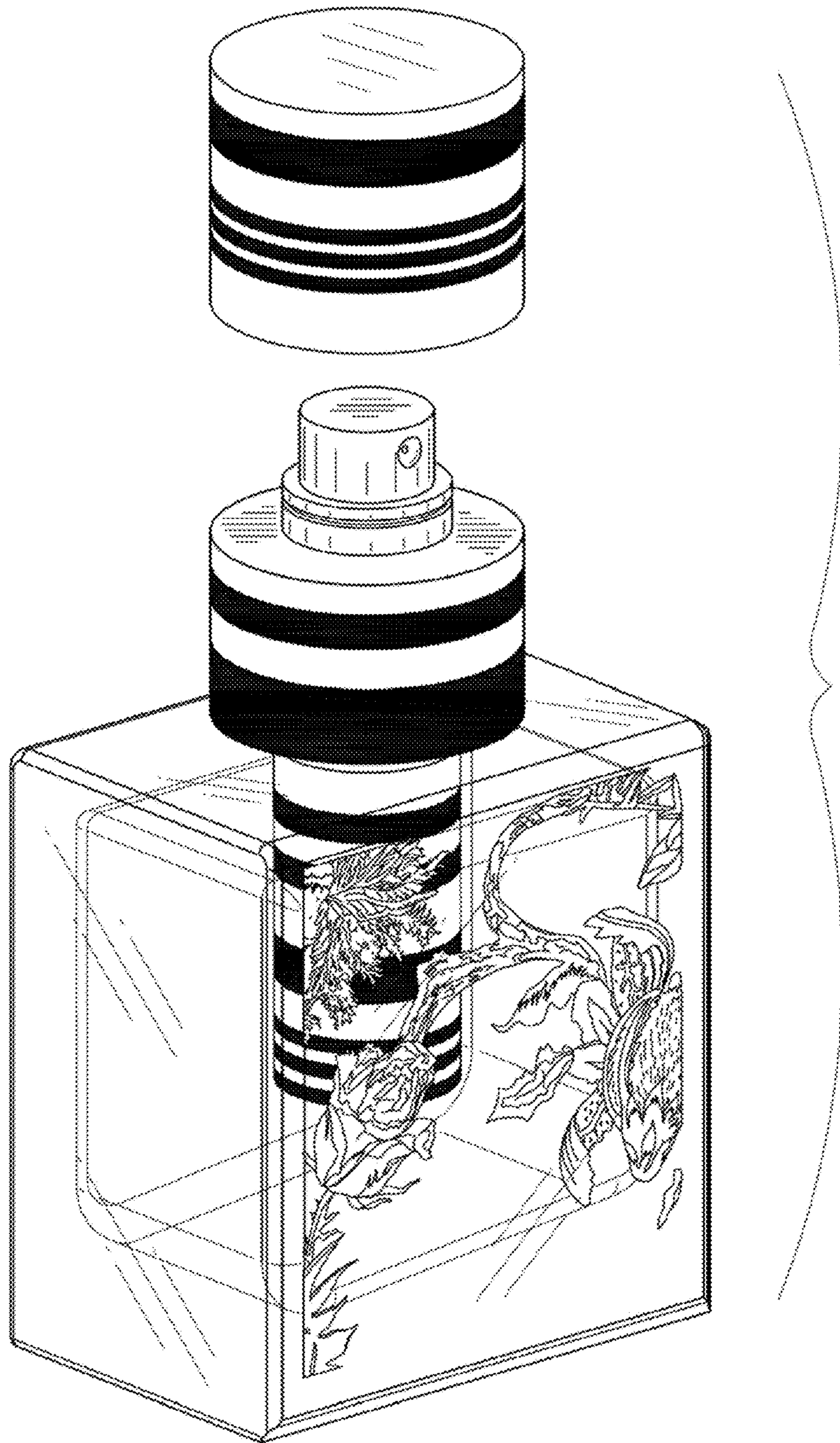


FIG. 9

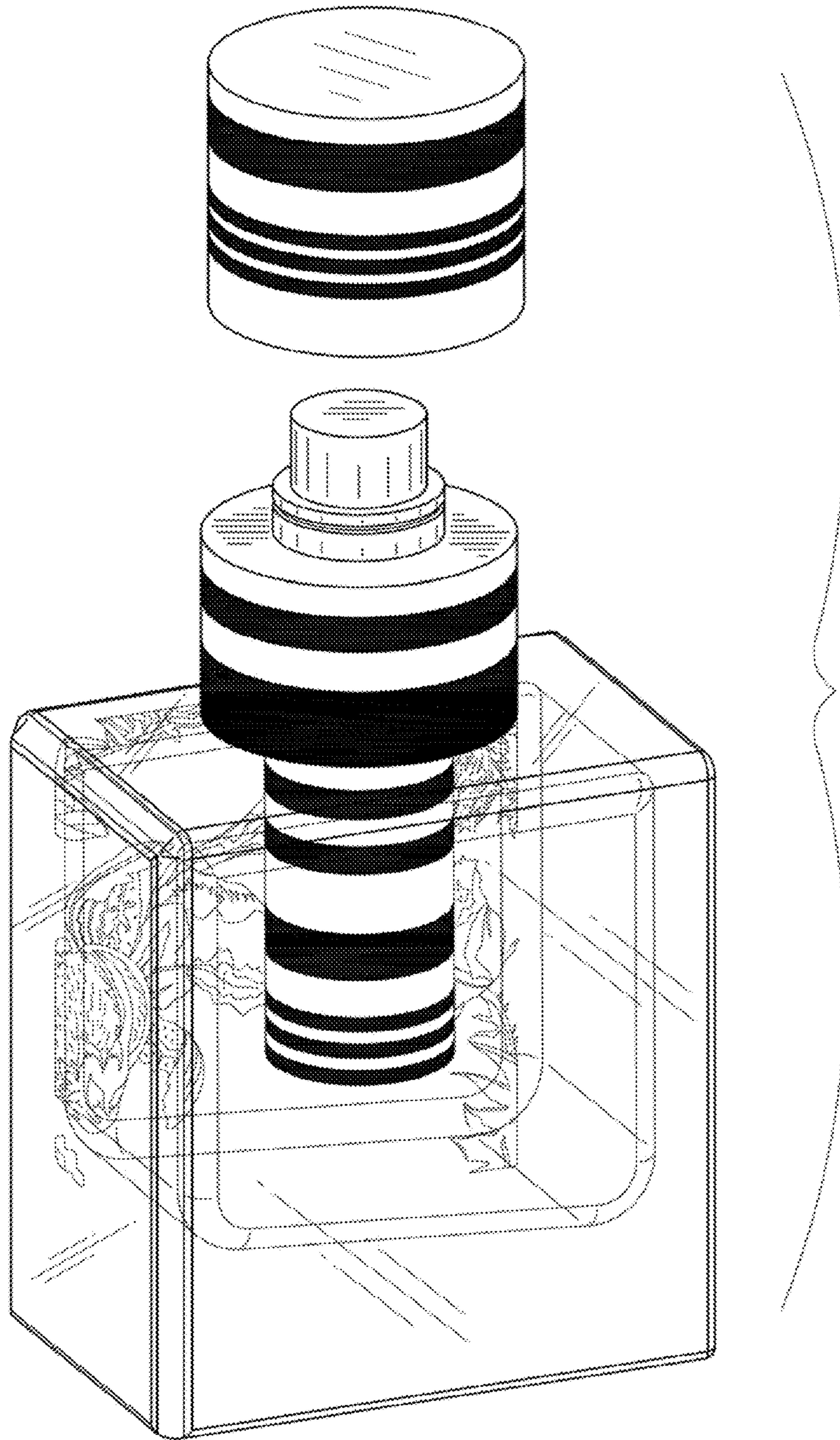


FIG. 10