



US00D718636S

(12) **United States Design Patent**  
**Manderfield, Jr. et al.**

(10) **Patent No.:** **US D718,636 S**  
(45) **Date of Patent:** **\*\* Dec. 2, 2014**

(54) **CONTAINER**

(71) Applicant: **Kemps LLC**, St. Paul, MN (US)  
(72) Inventors: **Grover John Manderfield, Jr.**,  
Marietta, GA (US); **David C.**  
**Hernandez**, Alpharetta, GA (US);  
**Michael Ryan Hicks**, Smyrna, GA (US)  
(73) Assignee: **Kemps LLC**, St. Paul, MN (US)

(\*\*) Term: **14 Years**

(21) Appl. No.: **29/462,502**

(22) Filed: **Aug. 5, 2013**

(51) **LOC (10) Cl.** ..... **09-01**

(52) **U.S. Cl.**  
USPC ..... **D9/607; D9/527**

(58) **Field of Classification Search**  
USPC ..... D9/600-601, 607, 609, 516, 526-528;  
206/494, 457, 527, 540, 830; 215/400;  
220/260, 890; 229/116.1, 116.2;  
D7/514-519, 619.2, 628

See application file for complete search history.

(56) **References Cited**

U.S. PATENT DOCUMENTS

D459,986 S *	7/2002	Yourist	.....	D9/607
D460,914 S *	7/2002	Yourist	.....	D9/607
D472,461 S *	4/2003	Yourist	.....	D9/607
D592,960 S *	5/2009	Ames et al.	.....	D9/527
D670,567 S *	11/2012	Molina	.....	D9/607
D671,419 S *	11/2012	Bourguignon	.....	D9/607
D687,715 S *	8/2013	Schill	.....	D9/607

\* cited by examiner

*Primary Examiner* — Sandra Morris

(74) *Attorney, Agent, or Firm* — Fredrikson & Byron, P.A.

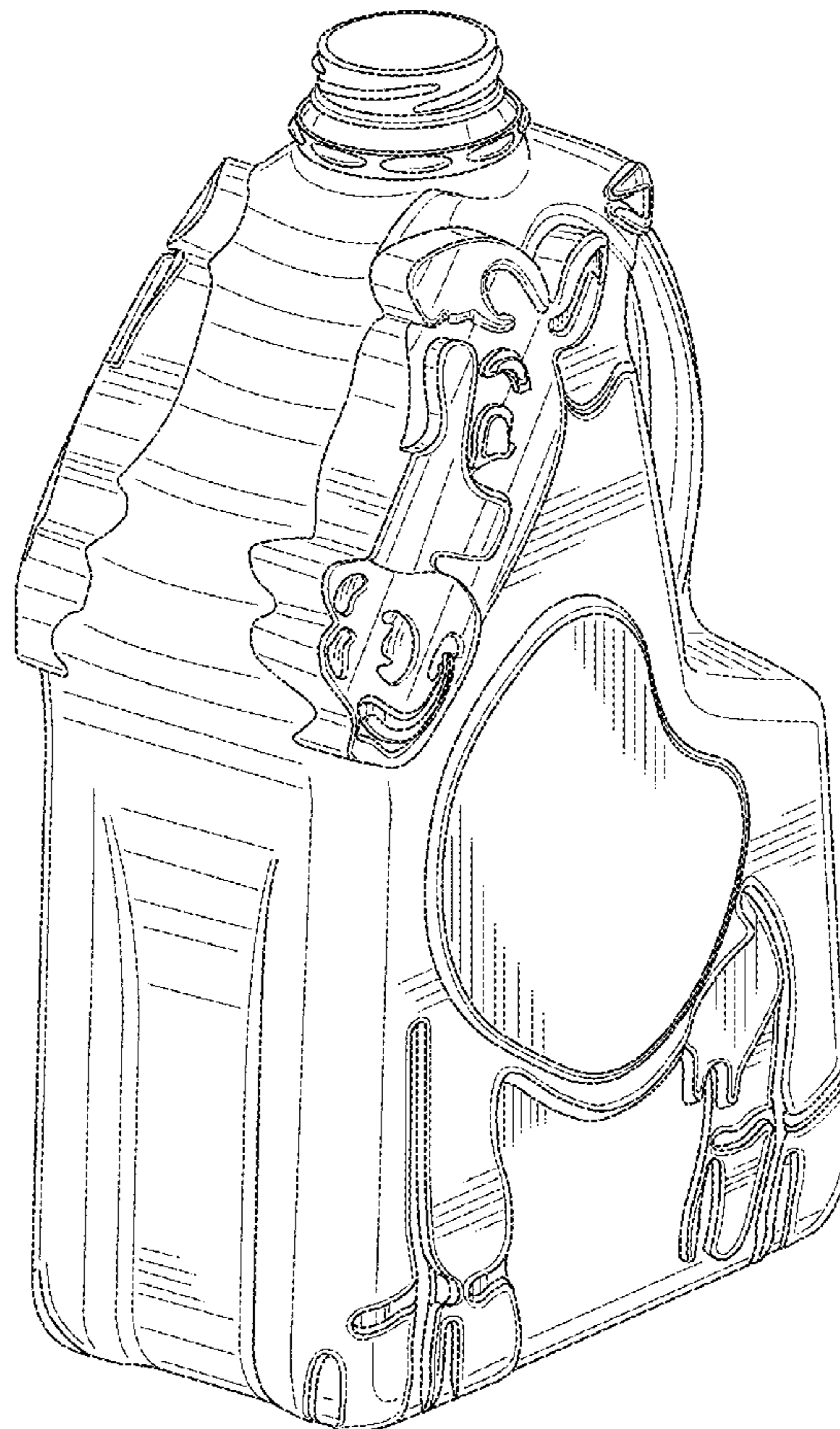
(57) **CLAIM**

I claim the ornamental design for a container, as shown and described.

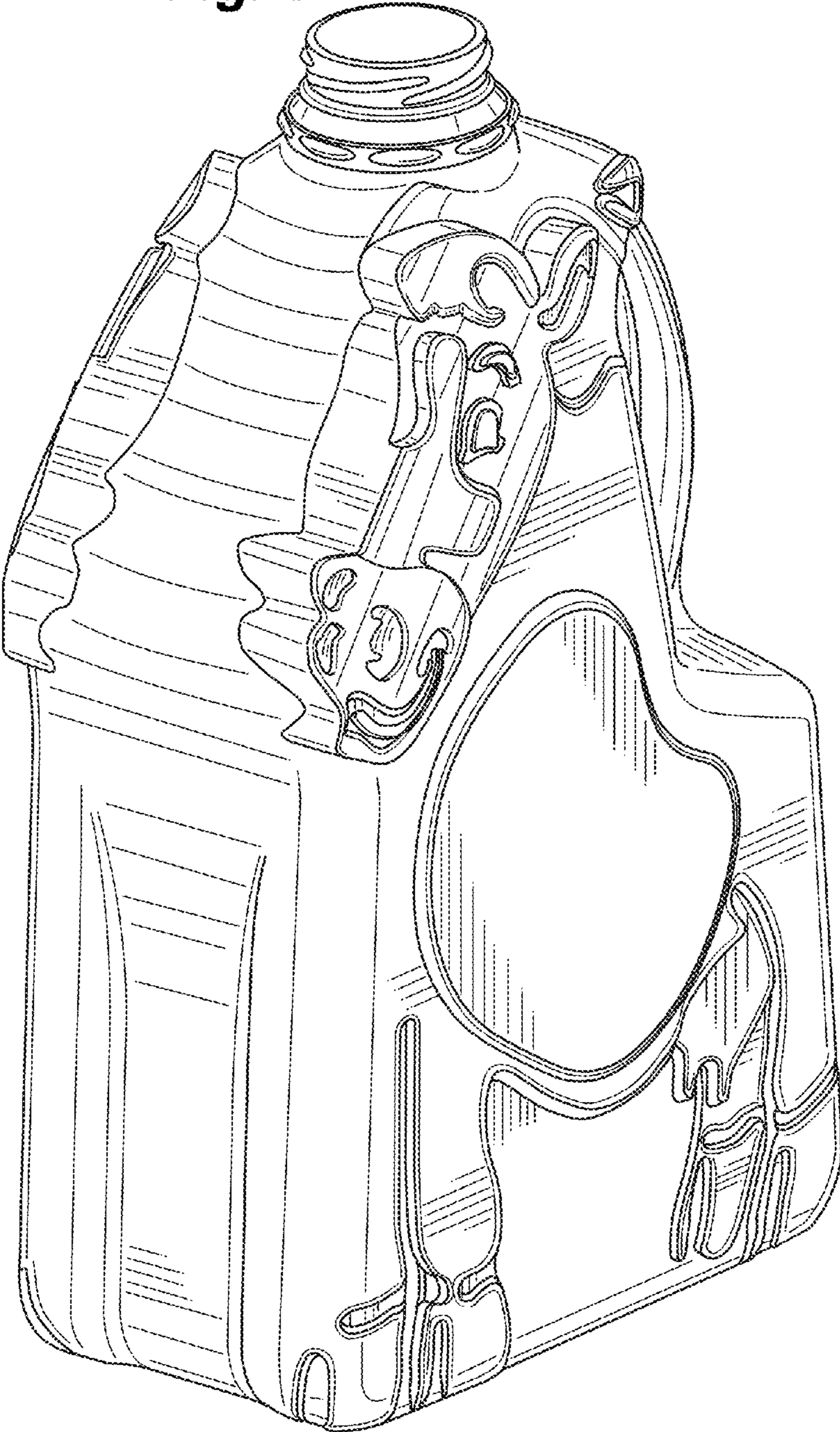
**DESCRIPTION**

FIG. 1 is a perspective of my new design for a container;  
FIG. 2 is a right side view thereof;  
FIG. 3 is a left side view thereof;  
FIG. 4 is a front view thereof;  
FIG. 5 is a rear view thereof; and,  
FIG. 6 is a top view thereof.

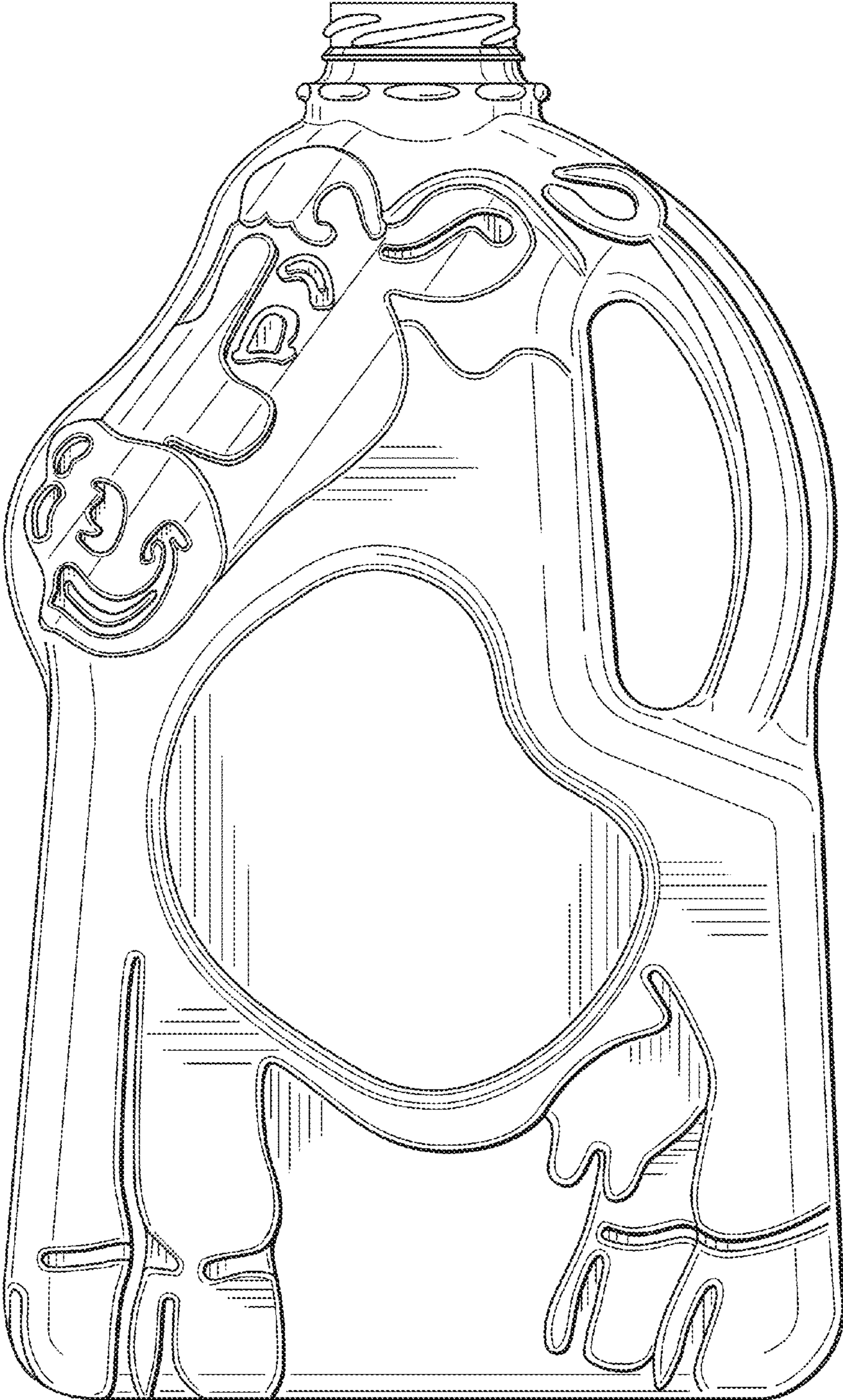
**1 Claim, 6 Drawing Sheets**



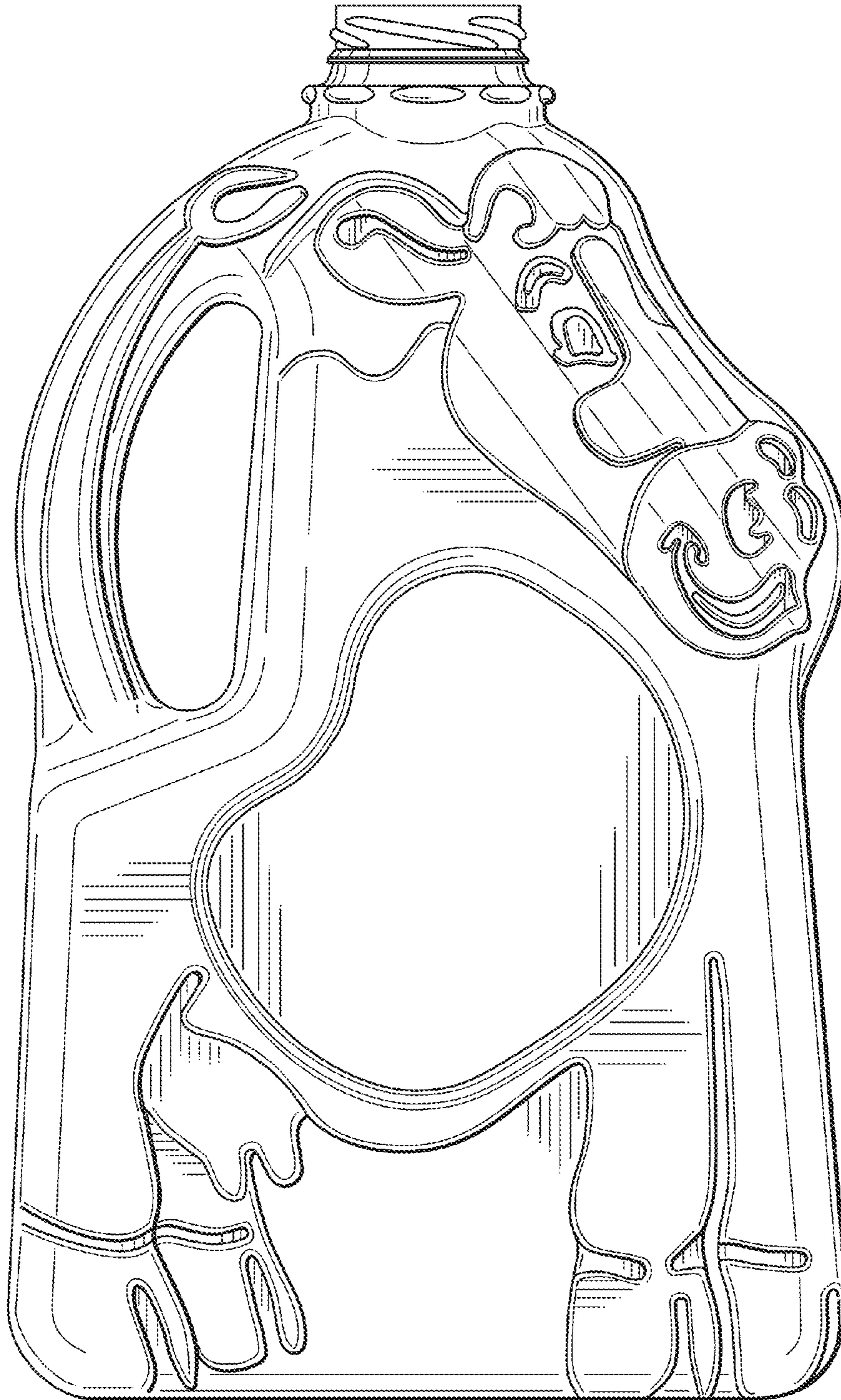
**Fig. 1**



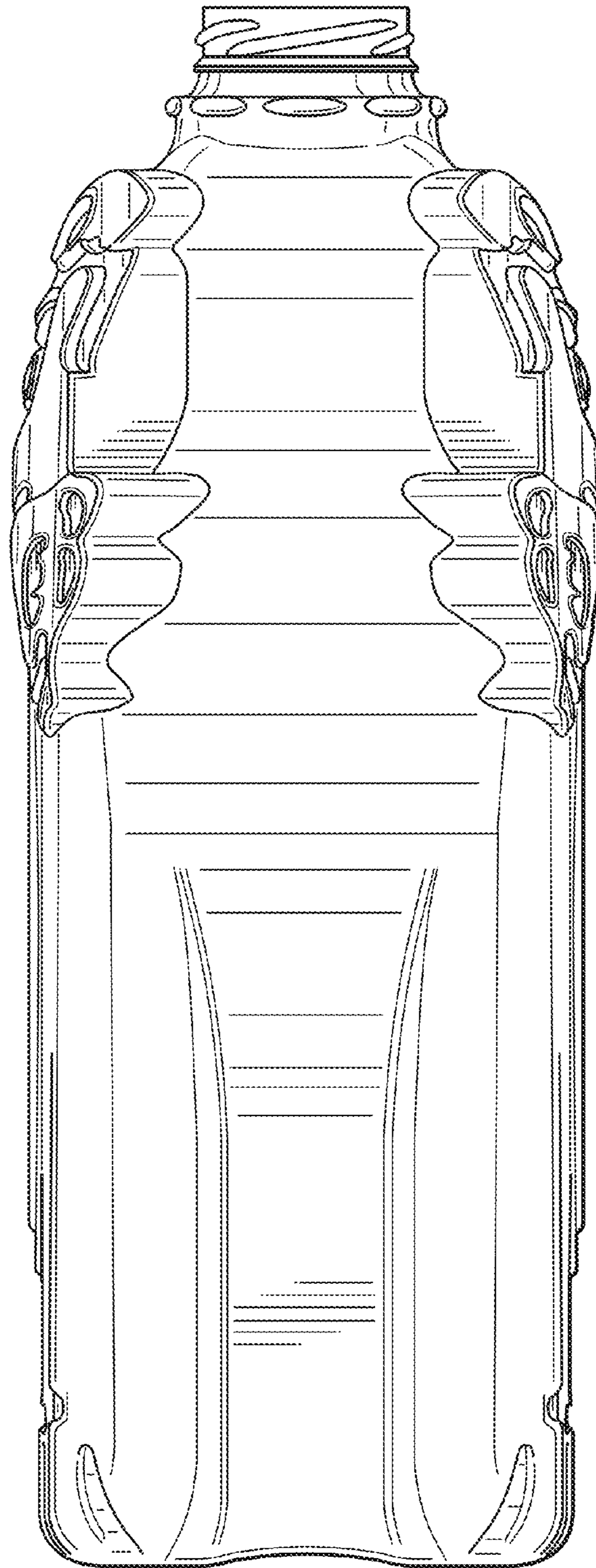
**Fig. 2**



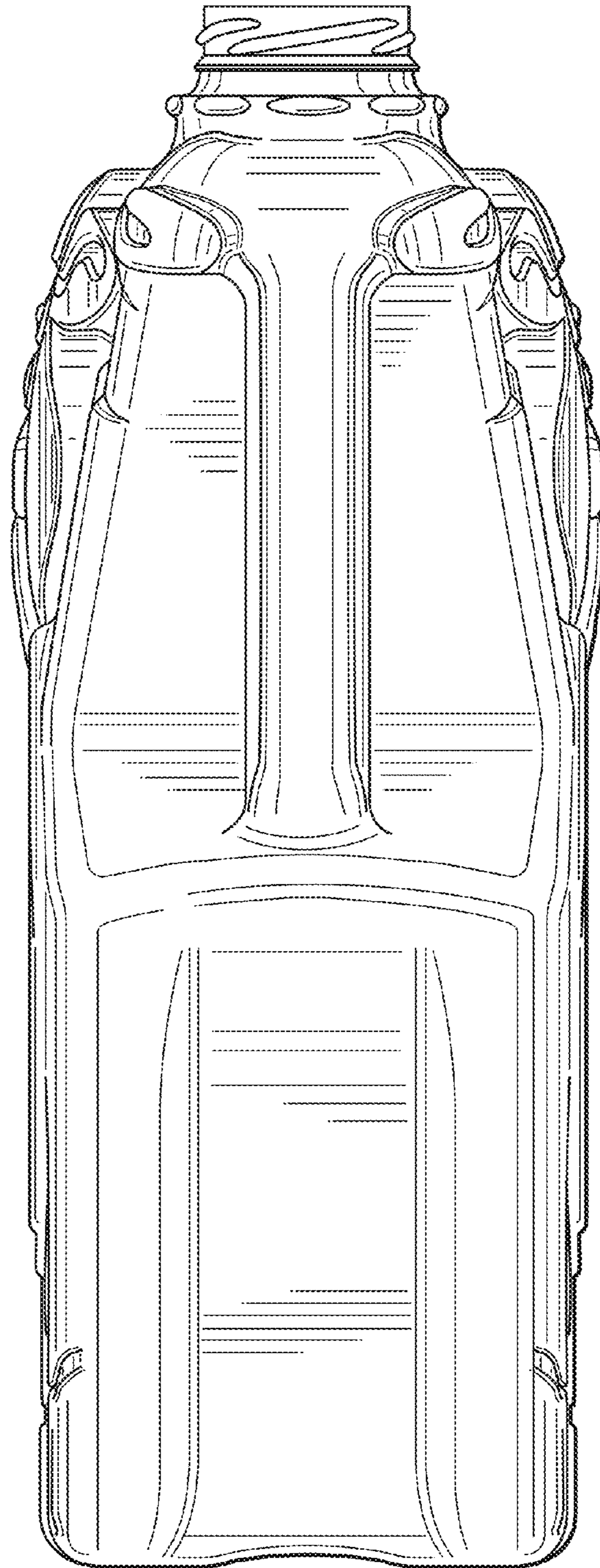
**Fig. 3**



**Fig. 4**



**Fig. 5**



**Fig. 6**

