



US00D718630S

(12) **United States Design Patent**  
**Shaw**

(10) **Patent No.:** **US D718,630 S**  
(45) **Date of Patent:** **\*\* Dec. 2, 2014**

(54) **ALCOHOLIC BEVERAGE BOTTLE**

(71) Applicant: **Proximo Spirits, Inc.**, Jersey City, NJ  
(US)

(72) Inventor: **Kevin Shaw**, New York, NY (US)

(73) Assignee: **Proximo Spirits, Inc.**, Jersey City, NJ  
(US)

(\*\*) Term: **14 Years**

(21) Appl. No.: **29/481,178**

(22) Filed: **Feb. 3, 2014**

**Related U.S. Application Data**

(62) Division of application No. 29/439,791, filed on Dec. 14, 2012, now Pat. No. Des. 700,843.

(51) **LOC (10) Cl.** ..... **09-01**

(52) **U.S. Cl.**  
USPC ..... **D9/500**

(58) **Field of Classification Search**  
CPC ..... B65D 1/00; B65D 1/02; B65D 1/0223;  
B65D 1/023; B65D 1/40; B65D 23/00;  
B65D 2501/0009  
USPC ..... D9/500, 502-505, 516, 544-545, 547,  
D9/549, 558, 682, 686, 688-692; D7/300,  
D7/300.1, 598; 215/379, 381-382;  
220/660, 662-664, 669-673, 675

See application file for complete search history.

(56) **References Cited**

**U.S. PATENT DOCUMENTS**

59,687 A \* 11/1866 Waldstein et al. .... 215/6  
D54,977 S \* 4/1920 Morrison ..... D9/505  
D84,683 S \* 7/1931 Davis ..... D9/503

D93,426 S \* 9/1934 Smith, Jr. .... D7/300.1  
2,158,901 A \* 5/1939 Martin ..... 401/129  
D126,725 S \* 4/1941 De M. Vicent ..... D9/667  
D128,406 S \* 7/1941 Soontup et al. .... D9/502  
D251,950 S \* 5/1979 McGowen ..... D9/716  
D255,648 S \* 7/1980 Bolter ..... D9/716  
D259,332 S \* 5/1981 Walton ..... D9/545  
D329,385 S \* 9/1992 Alves Machado  
Guedes ..... D9/667  
D335,450 S \* 5/1993 Pezzoli et al. .... D9/500  
D354,913 S \* 1/1995 Pezzoli et al. .... D9/500  
D375,559 S \* 11/1996 Baxter ..... D24/224  
D416,800 S \* 11/1999 Herrmann ..... D9/500  
D461,410 S \* 8/2002 Zutler ..... D9/500  
D461,411 S \* 8/2002 Zutler ..... D9/500  
D476,570 S \* 7/2003 Silvers ..... D9/500  
D530,622 S \* 10/2006 Geiberger ..... D9/688  
D624,417 S \* 9/2010 Bentley et al. .... D9/500  
D640,561 S \* 6/2011 Seys ..... D9/505  
D700,843 S \* 3/2014 Shaw ..... D9/547

\* cited by examiner

*Primary Examiner* — Ian Simmons

*Assistant Examiner* — Dana L Meyrow

(74) *Attorney, Agent, or Firm* — Abelman, Frayne & Schwab

(57) **CLAIM**

The ornamental design for an alcoholic beverage bottle, as shown and described.

**DESCRIPTION**

FIG. 1 is a front view showing my alcoholic beverage bottle design;

FIG. 2 is a top plan view thereof; and,

FIG. 3 is a bottom plan view thereof.

The broken lines in the drawings illustrate the portions of the design that form no part of the claim.

**1 Claim, 2 Drawing Sheets**

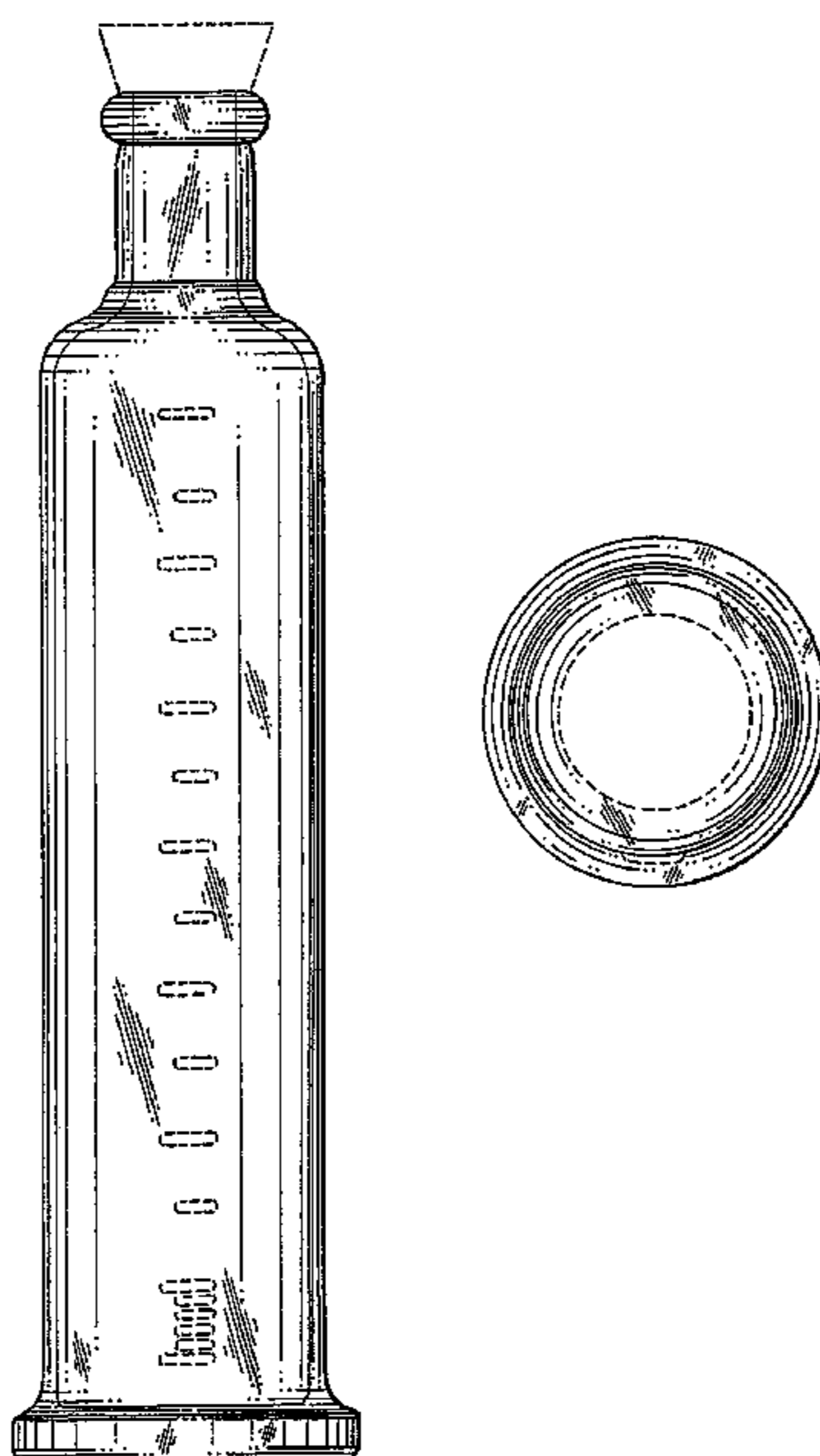


FIG. 1

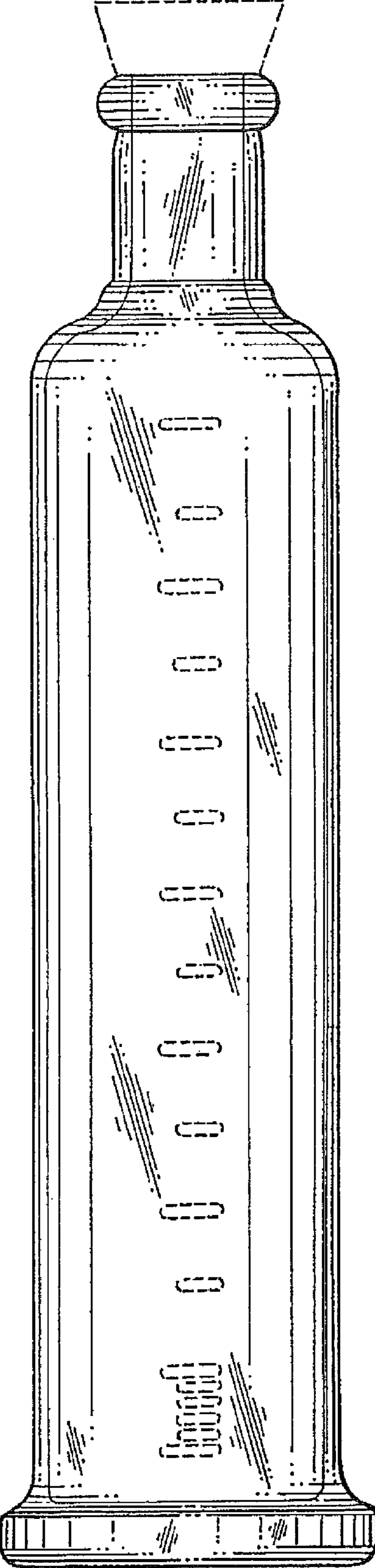


FIG. 2

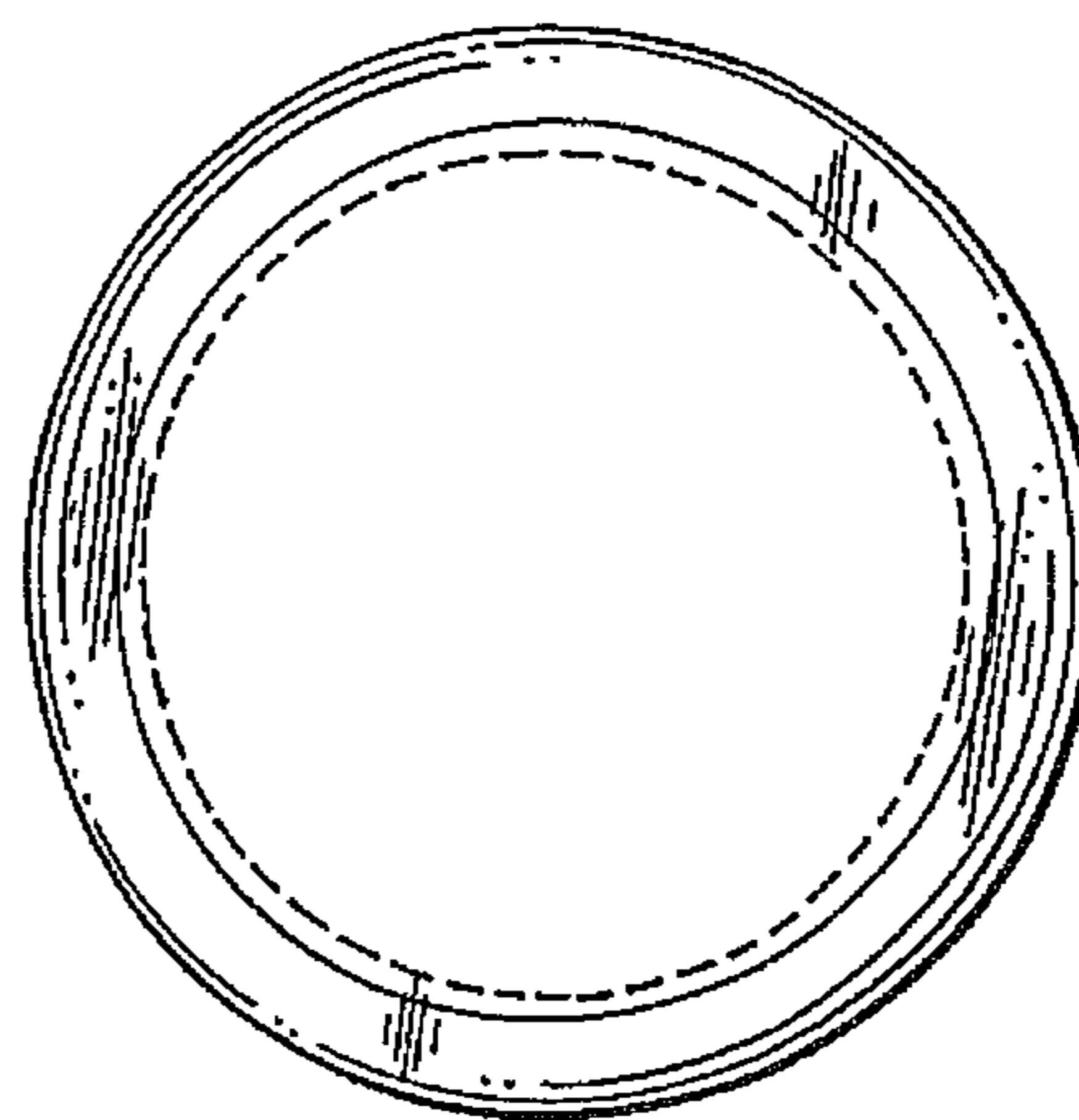
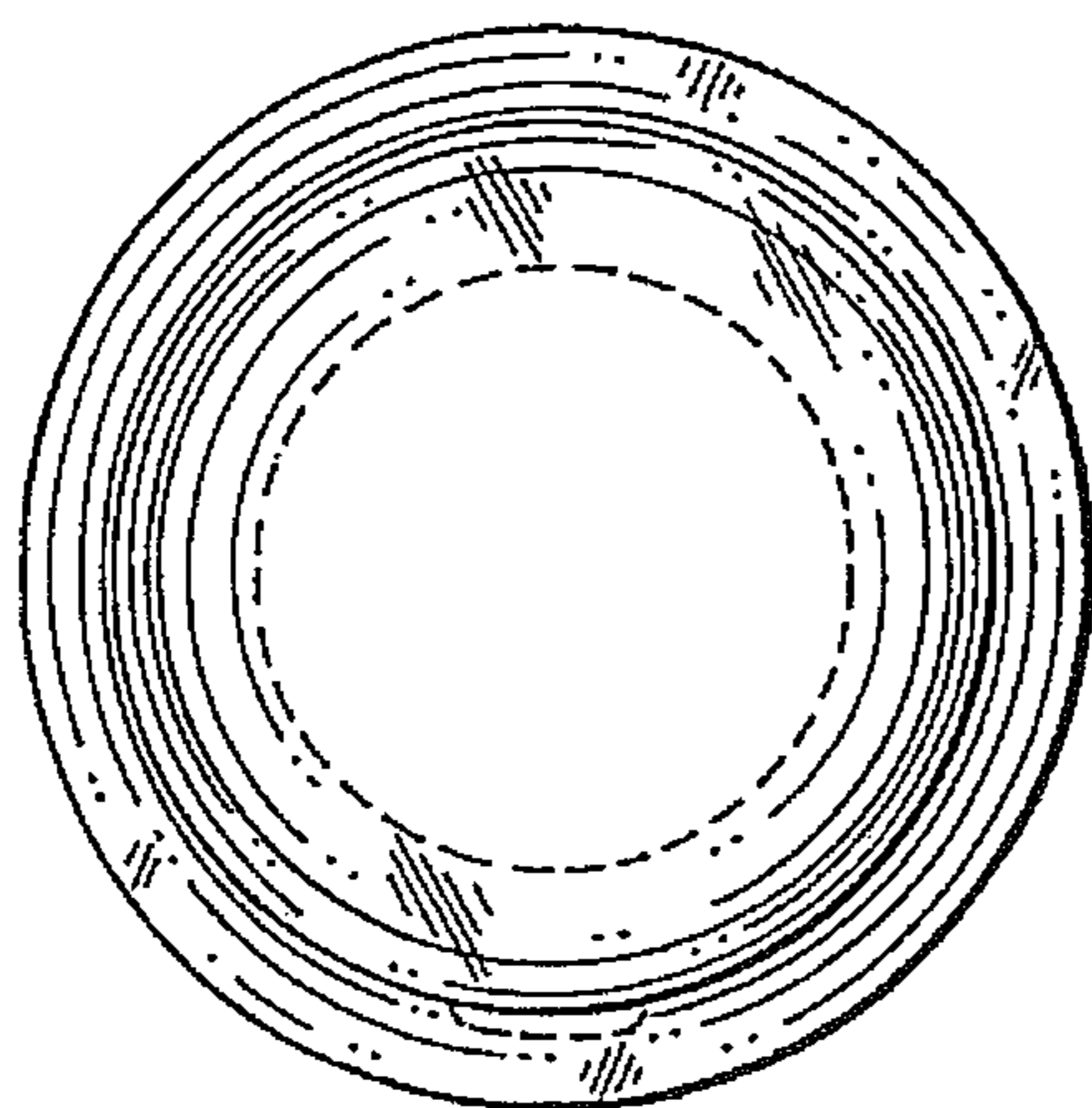


FIG. 3