



US00D718629S

(12) **United States Design Patent**
Still et al.

(10) **Patent No.:** **US D718,629 S**
(45) **Date of Patent:** **** Dec. 2, 2014**

(54) **APPLICATOR ASSEMBLY**

- (71) Applicant: **The Procter & Gamble Company,**
Cincinnati, OH (US)
- (72) Inventors: **James Douglas Still,** Cleves, OH (US);
Lucio Frias, Madeira, OH (US);
William Dale Murdock, Cheviot, OH
(US); **Mikah Coffindaffer,** Mason, OH
(US)
- (73) Assignee: **The Procter & Gamble Company,**
Cincinnati, OH (US)

(**) Term: **14 Years**

(21) Appl. No.: **29/458,173**

(22) Filed: **Jun. 17, 2013**

(51) **LOC (10) Cl.** **09-01**

(52) **U.S. Cl.**
USPC **D9/500; D9/516**

(58) **Field of Classification Search**
CPC B65D 1/0223; A45D 24/28; A45D 19/02
USPC D9/682-694, 715, 718, 719, 723-729,
D9/776-780, 500-505, 516, 517, 526, 530,
D9/537-575, 434-436, 447, 448; D28/7,
D28/10, 76, 77, 91.1; 222/182, 183, 631,
222/635, 321.6-321.9, 372, 373, 379,
222/383.1, 386, 401, 402.11, 402.13,
222/402.15; 215/379, 382; 220/669, 675;
132/200, 207, 208, 112-115, 221, 289,
132/299, 317, 320, 901; 401/6, 9, 11, 28,
401/188 R, 190, 265

See application file for complete search history.

(56) **References Cited**

U.S. PATENT DOCUMENTS

D194,715	S	*	2/1963	Michel	D9/724
D198,509	S	*	6/1964	Stengle, Jr. et al.	D9/500
D249,099	S	*	8/1978	Taylor	D4/114
D277,072	S	*	1/1985	Czech	D9/689
D288,529	S	*	3/1987	Parad	D9/524
4,815,637	A	*	3/1989	Nellis	222/402.12
D304,996	S	*	12/1989	Hollenberg et al.	D9/725
D365,276	S	*	12/1995	Dinand	D9/529
D374,108	S	*	9/1996	Moody et al.	D28/25
5,772,077	A	*	6/1998	Tafur	222/192
D443,821	S	*	6/2001	Bakic	D9/500
D456,260	S	*	4/2002	Boshuizen et al.	D9/448

(Continued)

OTHER PUBLICATIONS

U.S. Appl. No. 29/447,858, filed Mar. 7, 2013, Murdock.

Primary Examiner — Catherine Tuttle

(74) *Attorney, Agent, or Firm* — James T. Fondriest

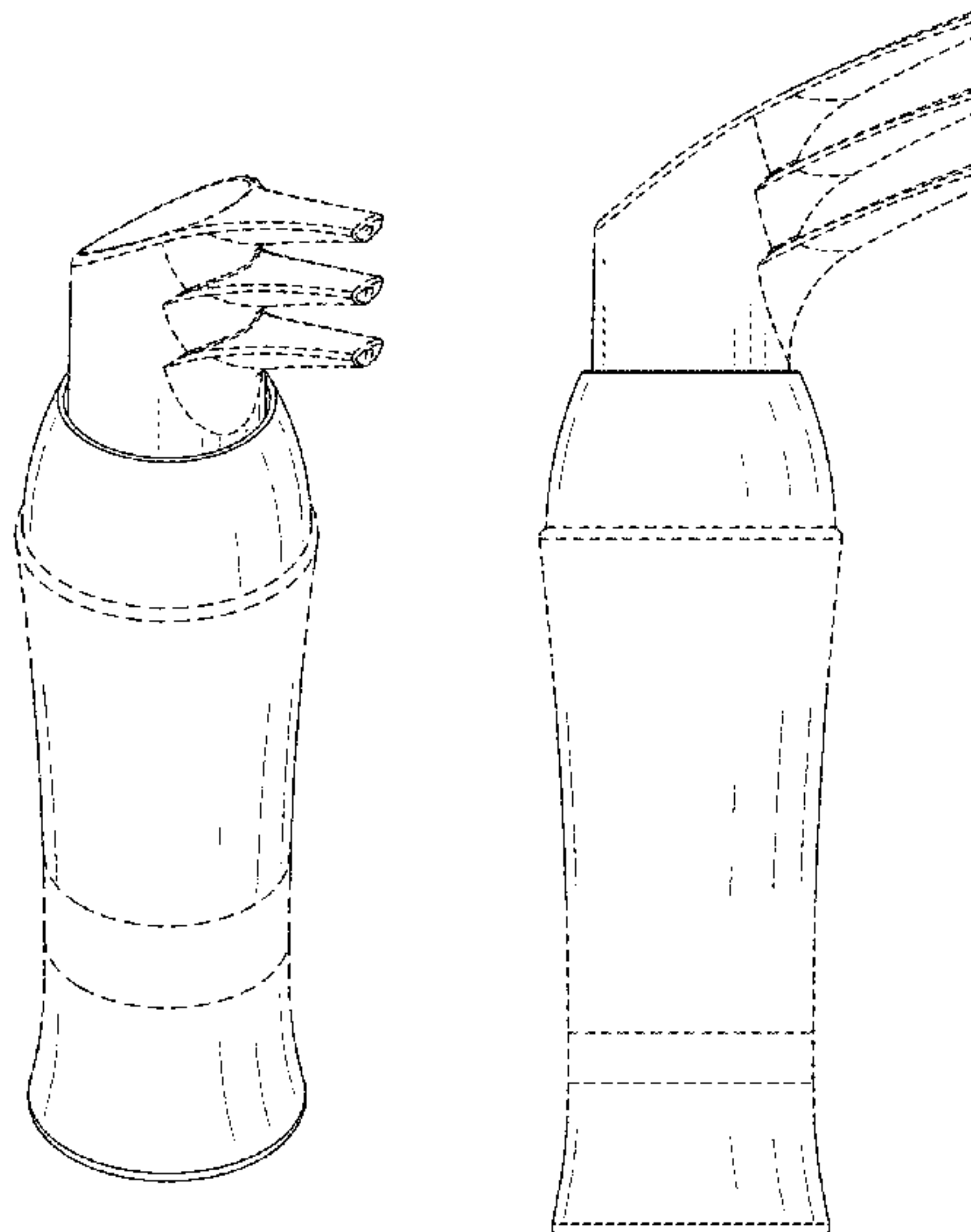
(57) **CLAIM**

The ornamental design for an applicator assembly, as shown and described.

DESCRIPTION

FIG. 1 is a perspective front view of an applicator assembly embodying the new design shown;
FIG. 2 is a front view of the design shown in FIG. 1;
FIG. 3 is a left side view of the design shown in FIG. 1;
FIG. 4 is a back view of the design shown in FIG. 1;
FIG. 5 is a right side view of the design shown in FIG. 1;
FIG. 6 is a bottom view of the design shown in FIG. 1; and,
FIG. 7 is a top view of the design shown in FIG. 1.
The broken lines are included for the purpose of illustrating portions of the applicator assembly that form no part of the claimed design.

1 Claim, 4 Drawing Sheets



(56)

References Cited

U.S. PATENT DOCUMENTS

D462,896 S *	9/2002	Crawford et al.	D9/693	D681,876 S	5/2013	Murdock et al.	
6,467,653 B1 *	10/2002	Hamamoto et al.	222/105	D690,876 S *	10/2013	Murdock et al.	D28/7
D497,809 S *	11/2004	Fenton et al.	D9/500	2002/0020421 A1 *	2/2002	Vayrette	132/114
D543,846 S *	6/2007	Kitamura et al.	D9/500	2003/0129142 A1 *	7/2003	Schroeder et al.	424/47
D556,038 S *	11/2007	Chupak et al.	D9/500	2003/0168372 A1 *	9/2003	Headen et al.	206/459.1
D599,667 S *	9/2009	Gedmin	D9/516	2006/0151539 A1 *	7/2006	Tsubaki et al.	222/192
D620,800 S *	8/2010	Thielman et al.	D9/516	2007/0051754 A1 *	3/2007	Strand et al.	222/402.13
D640,559 S *	6/2011	Llerena	D9/500	2013/0277397 A1 *	10/2013	Erickson et al.	222/153.11
				2013/0284195 A1 *	10/2013	Murdock et al.	132/200
				2013/0284196 A1 *	10/2013	Murdock et al.	132/200

* cited by examiner

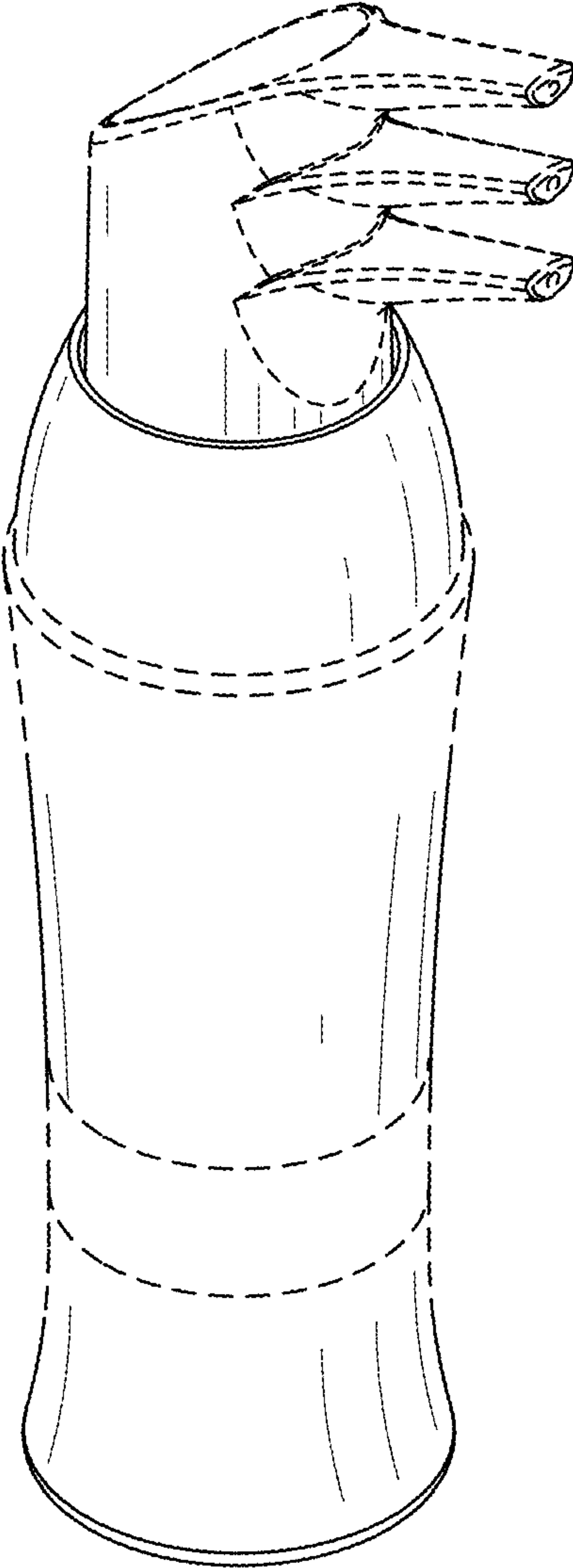


Fig. 1

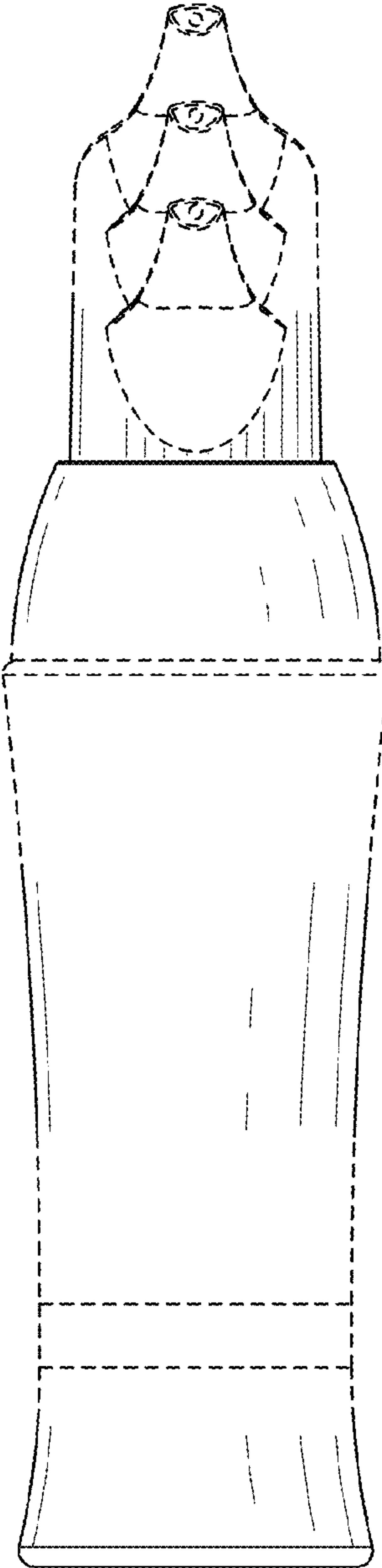


Fig. 2

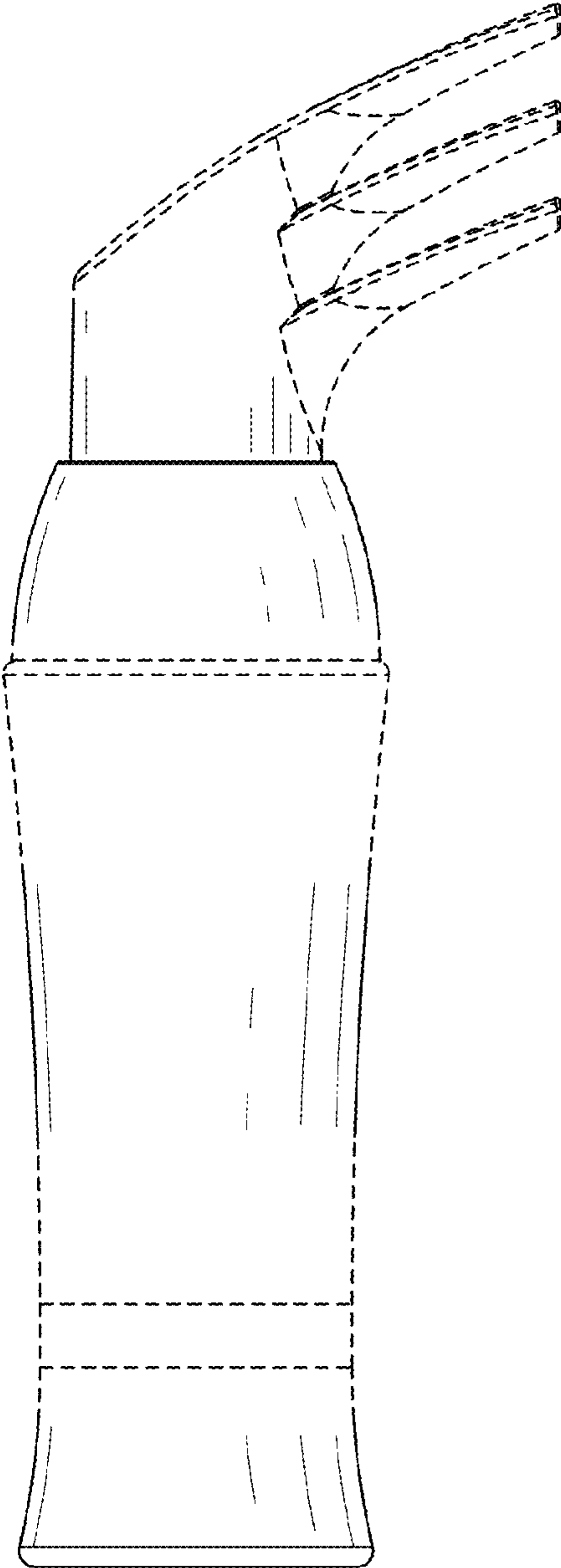


Fig. 3

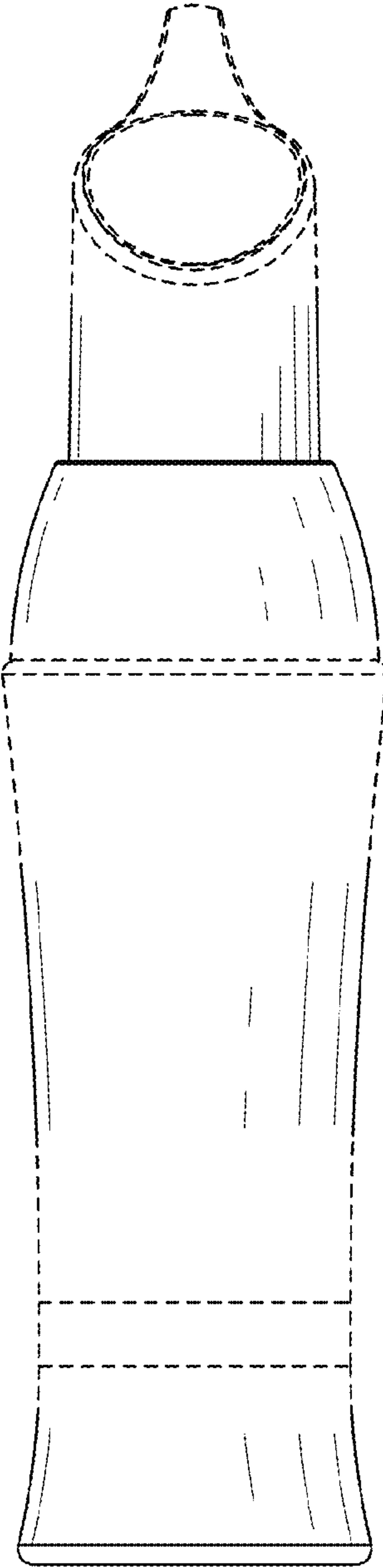


Fig. 4

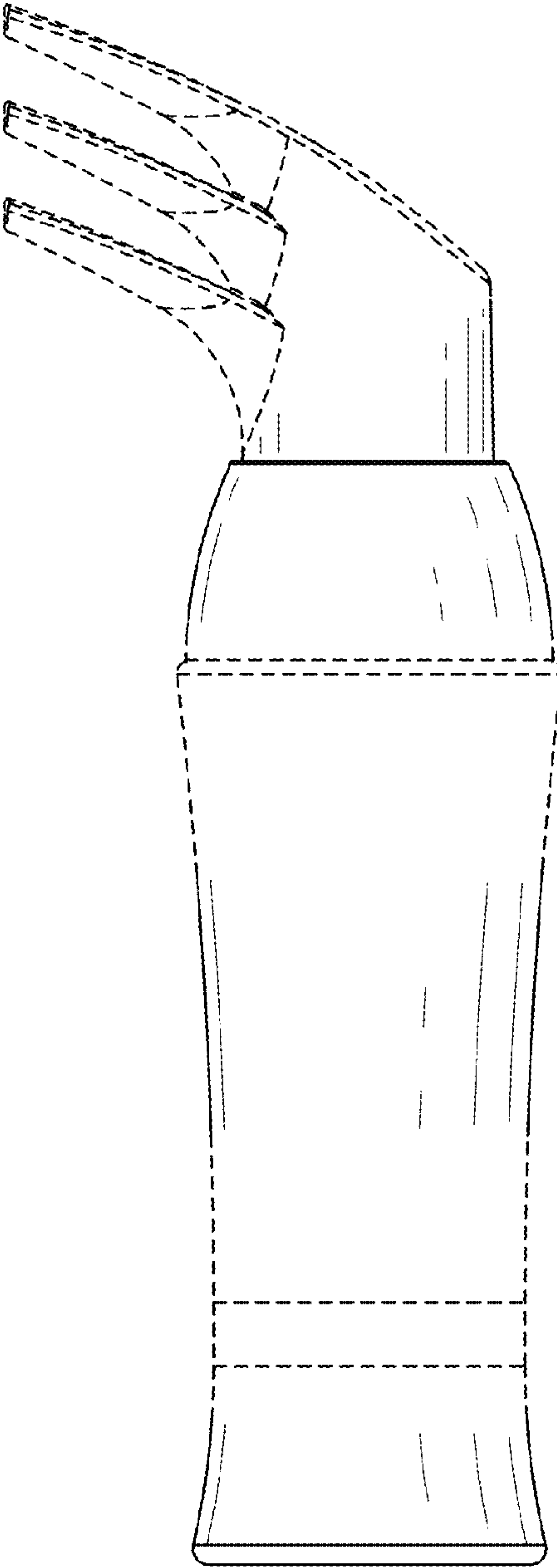


Fig. 5

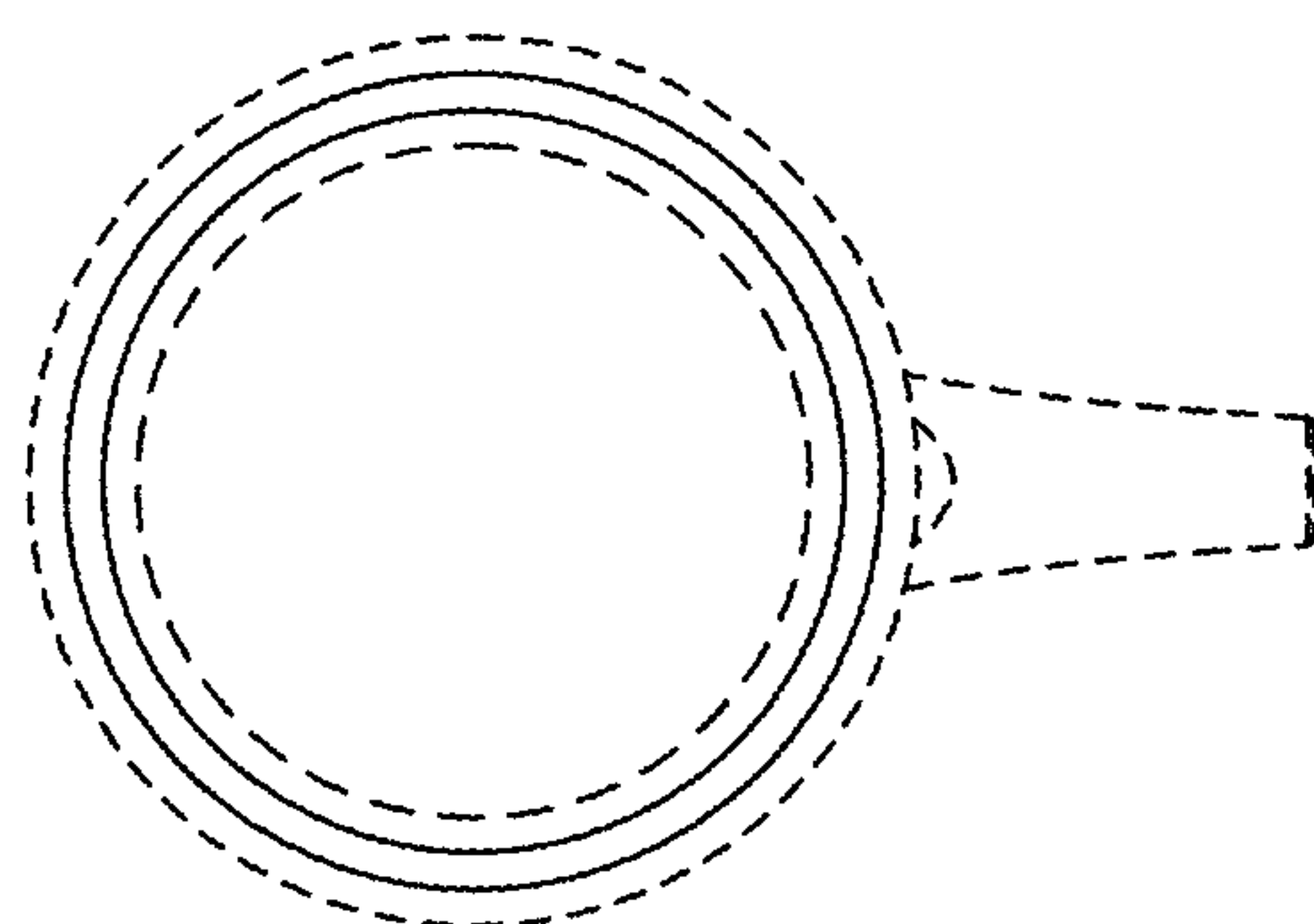


Fig. 6

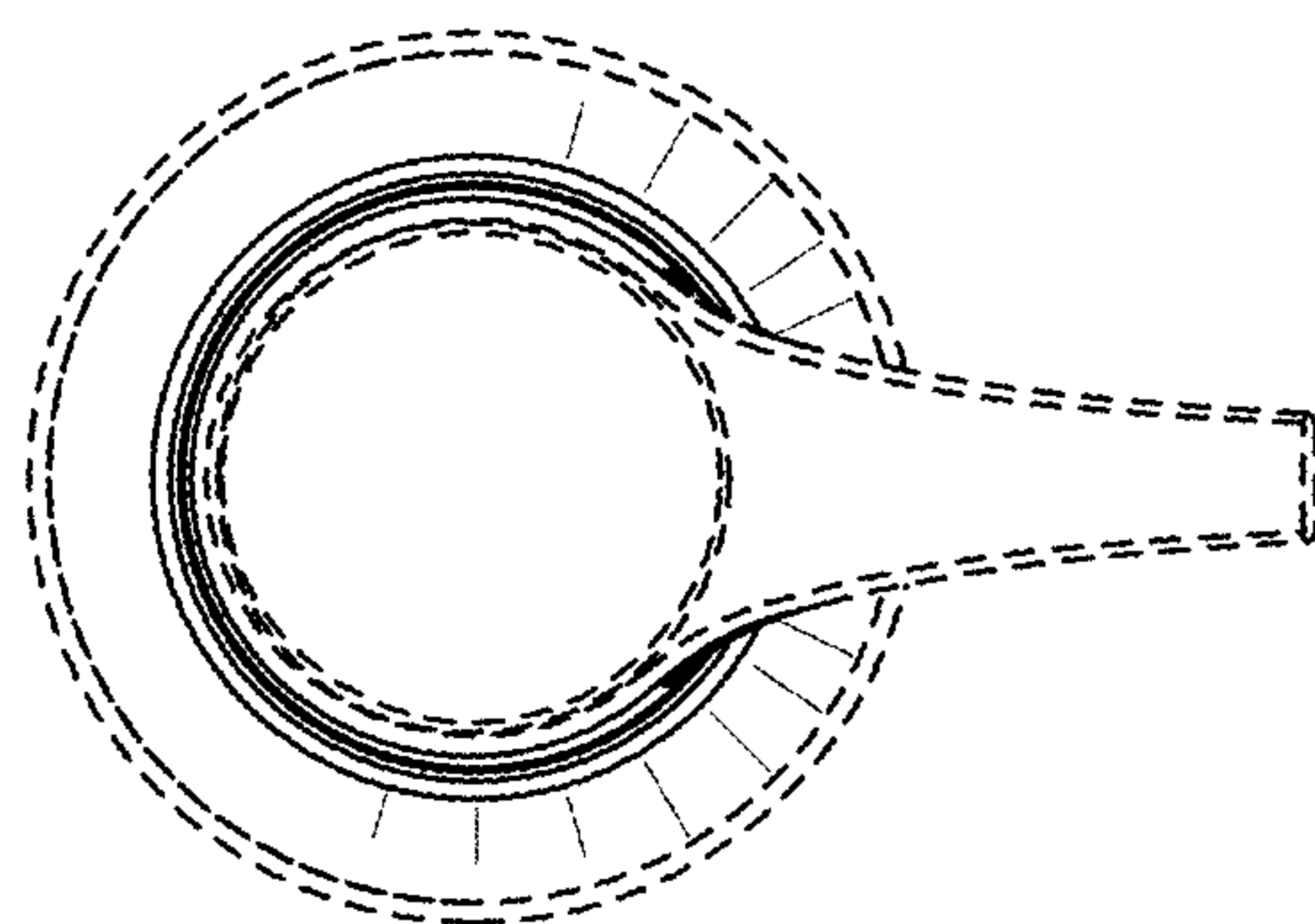


Fig. 7