

US00D718627S

(12) **United States Design Patent**  
**Rasgon**

(10) **Patent No.:** **US D718,627 S**

(45) **Date of Patent:** **\*\* Dec. 2, 2014**

- (54) **CAP WITH SNOW GLOBE**
- (71) Applicant: **Maurice Rasgon**, Santa Monica, CA  
(US)
- (72) Inventor: **Maurice Rasgon**, Santa Monica, CA  
(US)
- (\*\*) Term: **14 Years**
- (21) Appl. No.: **29/471,265**
- (22) Filed: **Oct. 30, 2013**
- (51) **LOC (10) Cl.** ..... **09-03**
- (52) **U.S. Cl.**  
USPC ..... **D9/451; D9/436**
- (58) **Field of Classification Search**  
USPC ..... D7/514-520, 613, 619.2, 623, 628,  
D7/392.1; D9/519, 600, 655-663,  
D9/434-436, 439-441, 447-451, 454;  
206/494, 457, 459.1, 459.5; 215/203,  
215/230, 387-388, 400; 40/409-410  
See application file for complete search history.

6,065,640	A *	5/2000	Ho et al.	.....	40/410
6,193,106	B1 *	2/2001	Ho et al.	.....	40/410
6,357,151	B1 *	3/2002	Yuen	.....	40/410
D475,293	S *	6/2003	Abrams	.....	D9/441
D507,180	S *	7/2005	Hina	.....	D9/436
D512,310	S *	12/2005	Hite	.....	D9/454
7,290,361	B2 *	11/2007	Liao	.....	40/409
7,905,426	B1 *	3/2011	Greiner	.....	40/410
D646,168	S *	10/2011	Jansen	.....	D9/519
D679,147	S *	4/2013	Roudybush	.....	D7/619.2

\* cited by examiner

*Primary Examiner* — Sandra Morris  
(74) *Attorney, Agent, or Firm* — Eric Karich

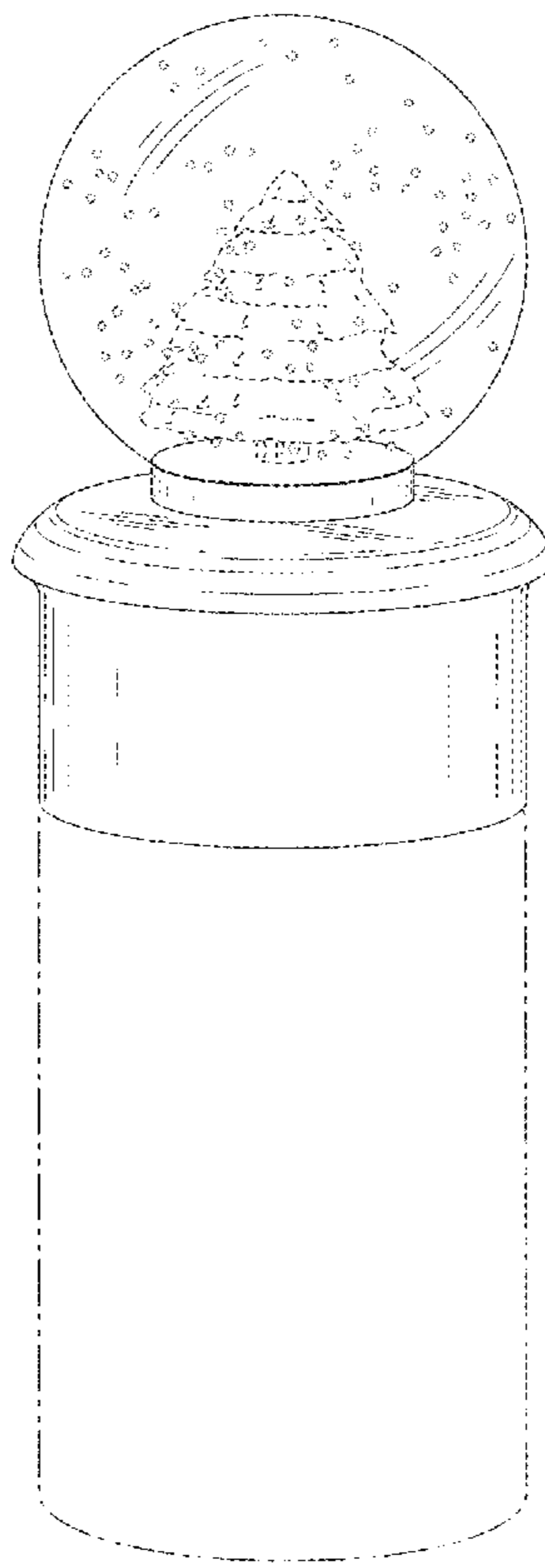
(57) **CLAIM**  
The ornamental design for a “cap with snow globe,” as shown and described.

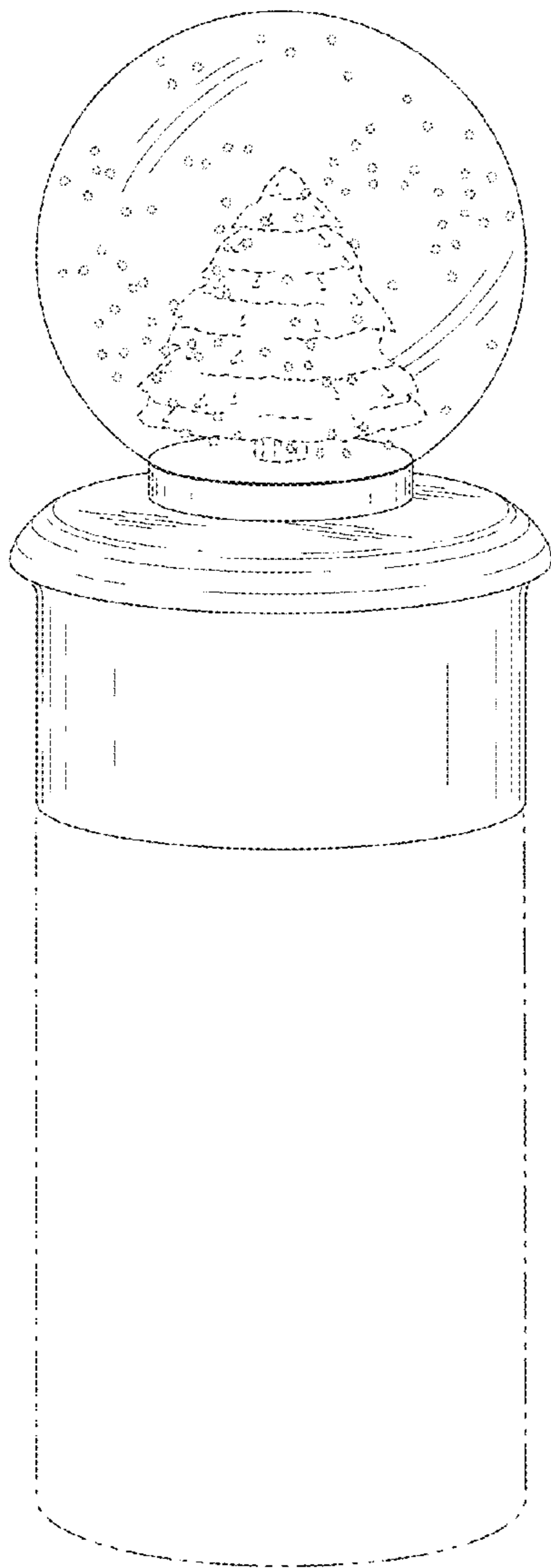
**DESCRIPTION**

FIG. 1 is a perspective view of a cap with snow globe, showing my new design;  
FIG. 2 is a front elevational view thereof;  
FIG. 3 is a rear elevational view thereof;  
FIG. 4 is a left side elevational view thereof;  
FIG. 5 is a right side elevational view thereof;  
FIG. 6 is a top plan view thereof; and,  
FIG. 7 is a bottom plan view thereof.  
The broken line showings of a nail polish container and a decorative scene are for illustrative purposes only and form no part of the claimed design.

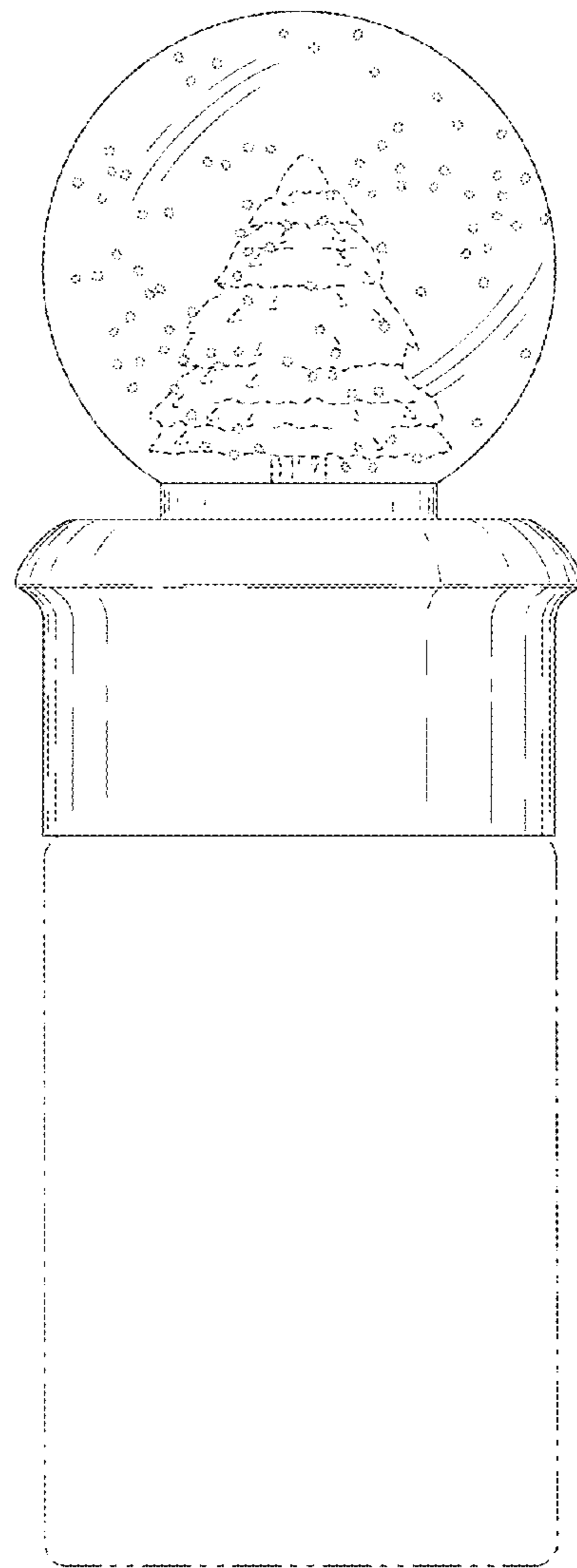
**1 Claim, 3 Drawing Sheets**

- (56) **References Cited**  
U.S. PATENT DOCUMENTS
- 5,131,175 A \* 7/1992 Liu ..... 40/410
- 5,548,912 A \* 8/1996 Liu ..... 40/410
- 6,042,022 A \* 3/2000 Rogozinski et al. .... 40/410

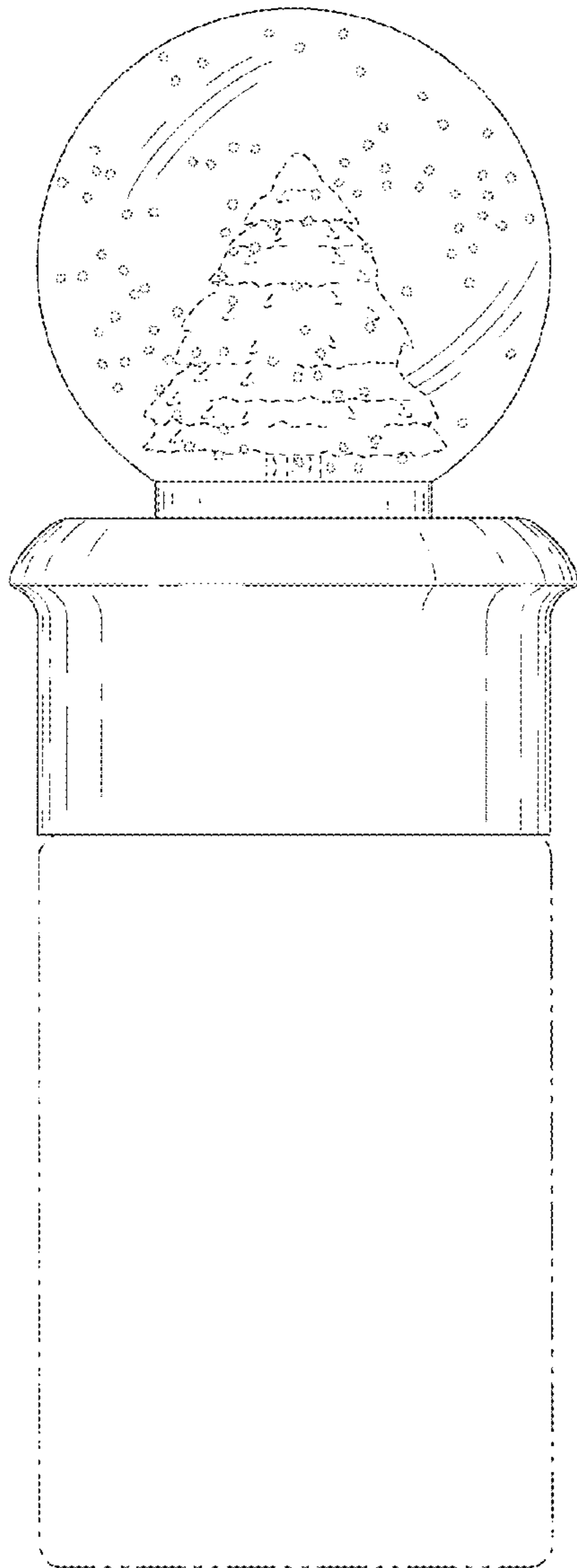




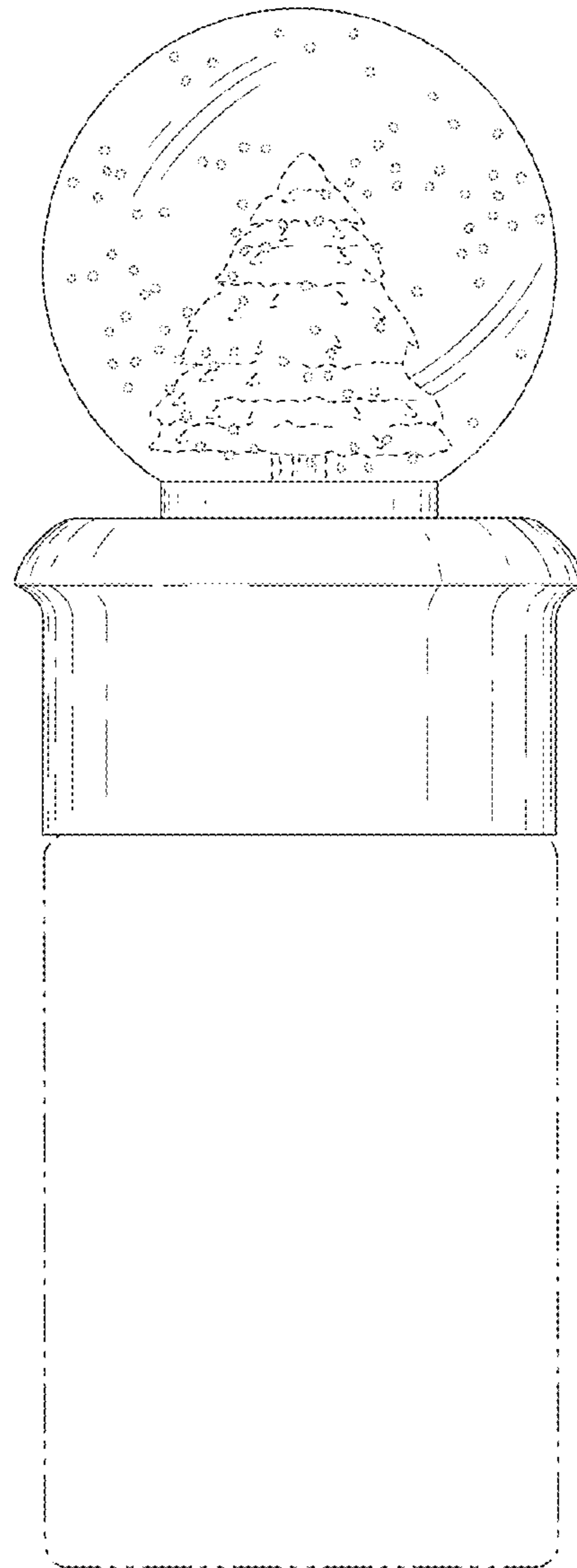
*Fig. 1*



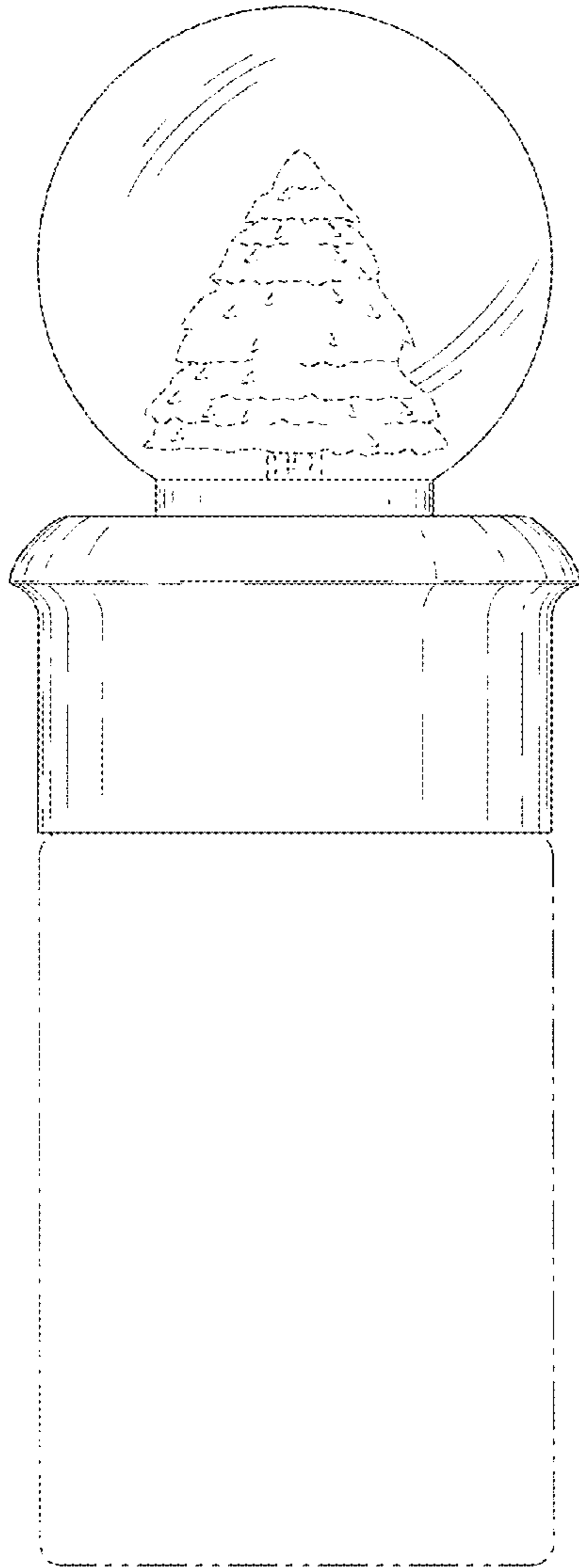
*Fig. 2*



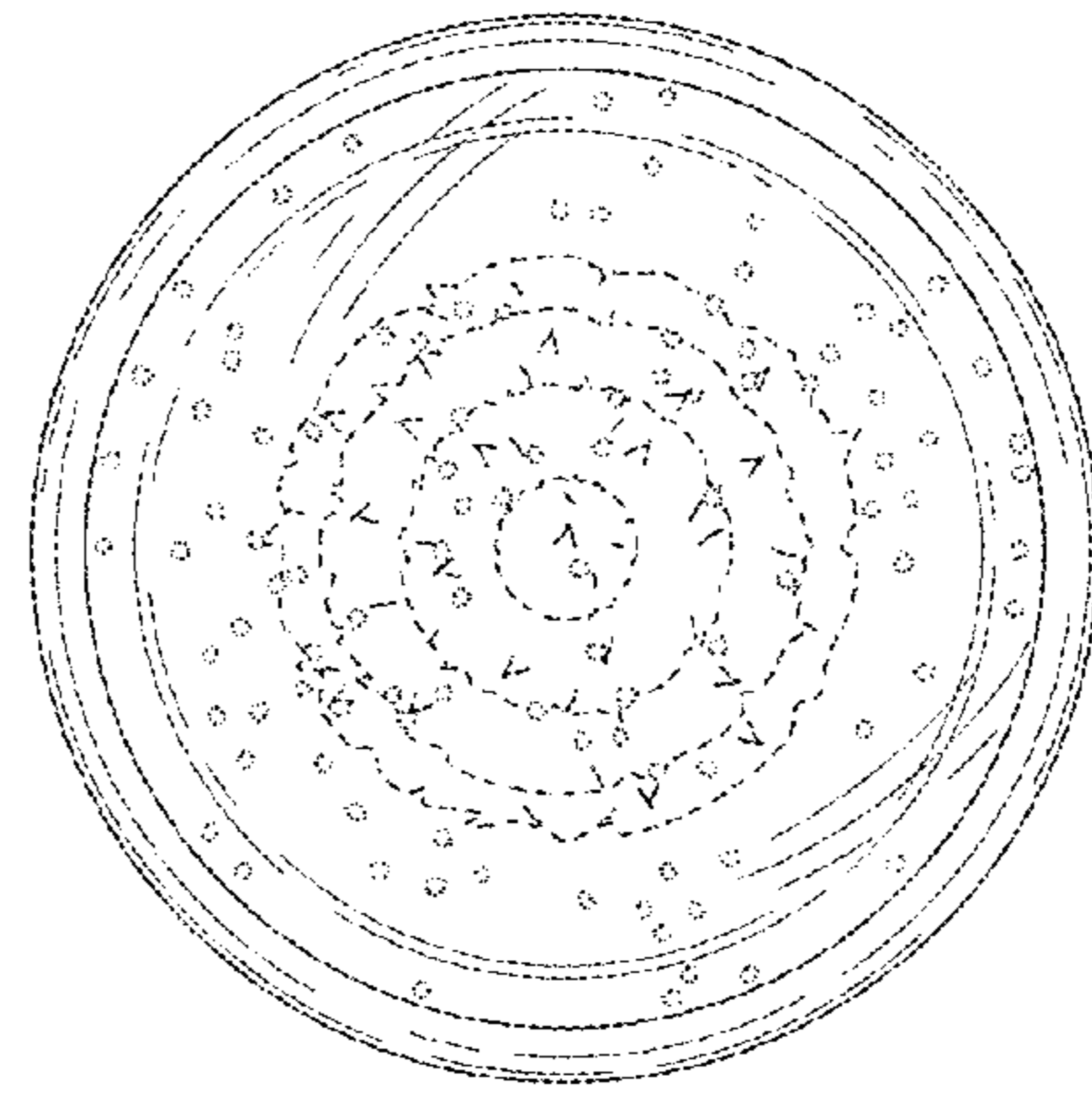
*Fig. 3*



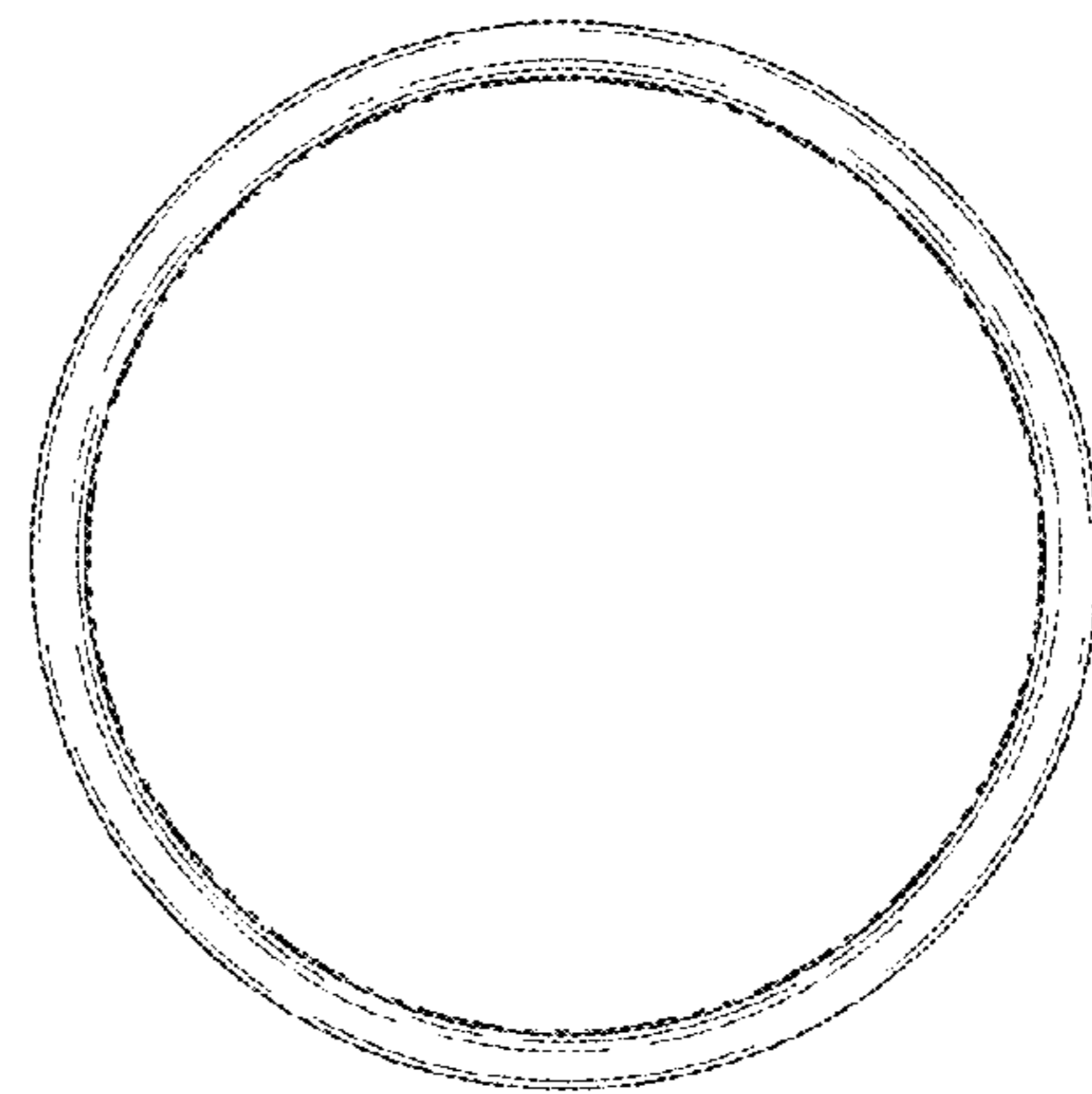
*Fig. 4*



*Fig. 5*



*Fig. 6*



*Fig. 7*