



US00D718626S

(12) **United States Design Patent**
Lane

(10) **Patent No.:** **US D718,626 S**

(45) **Date of Patent:** **** Dec. 2, 2014**

(54) **LID FOR DRINK BOTTLE HAVING BACK
BUTTON RELEASED COVER AND CARRY
LOOP**

(75) Inventor: **Marvin Lane**, Round Lake Beach, IL
(US)

(73) Assignee: **Thermos L.L.C.**, Schaumburg, IL (US)

(**) Term: **14 Years**

(21) Appl. No.: **29/416,433**

(22) Filed: **Mar. 22, 2012**

(51) **LOC (10) Cl.** **09-07**

(52) **U.S. Cl.**
CPC **B65D 41/62** (2013.01); **B65D 43/00**
(2013.01); **B65D 47/08** (2013.01)

USPC **D9/449**

(58) **Field of Classification Search**

CPC **B65D 41/62**
USPC **D9/454, 556, 529, 453, 452, 449, 443,**
D9/439, 504, 450, 447, 446, 730-732, 435,
D9/652; D8/312; D7/392.1; 215/252, 218,
215/216, 209, 206, 235, 236, 331, 220, 350,
215/344, 295, 270, 256; 206/534

See application file for complete search history.

(56) **References Cited**

U.S. PATENT DOCUMENTS

5,277,325 A * 1/1994 Yan 215/206
D455,611 S * 4/2002 Kitamura et al. D7/608
6,484,895 B2 * 11/2002 Montgomery et al. 215/237
D529,339 S * 10/2006 Carreno et al. D7/511

(Continued)

OTHER PUBLICATIONS

Nissan Compact Vacuum Bottle Model FDI-1000, found Dec. 20,
2013 online at www.sweetmarias.com/prod.obsolete.php.*

(Continued)

Primary Examiner — Robert M Spear
(74) *Attorney, Agent, or Firm* — Polsinelli PC

(57) **CLAIM**

The ornamental design for lid for drink bottle having back
button released cover and carry loop, as shown and described.

DESCRIPTION

FIG. 1 is a perspective view taken from the upper, front,
right-hand side of the lid for drink bottle having back
button released cover and carry loop of the present invention;

FIG. 2 is a perspective view taken from the lower, back,
left-hand side of the lid for drink bottle having back button
released cover and carry loop of FIG. 1;

FIG. 3 is a side elevational view of the left side of the lid for
drink bottle having back button released cover and carry loop
of FIG. 1;

FIG. 4 is a front elevational view of the lid for drink bottle
having back button released cover and carry loop of FIG. 1;

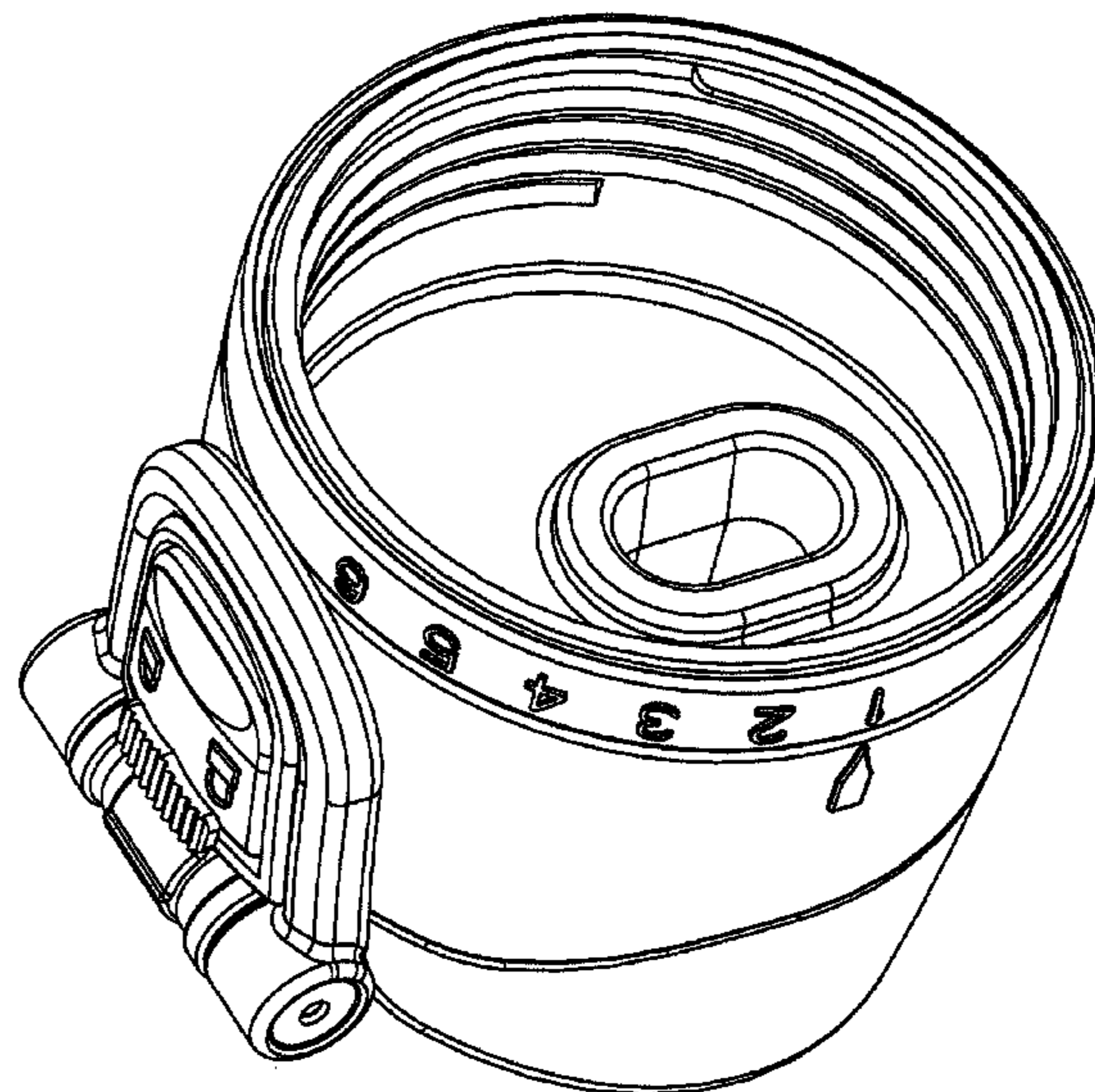
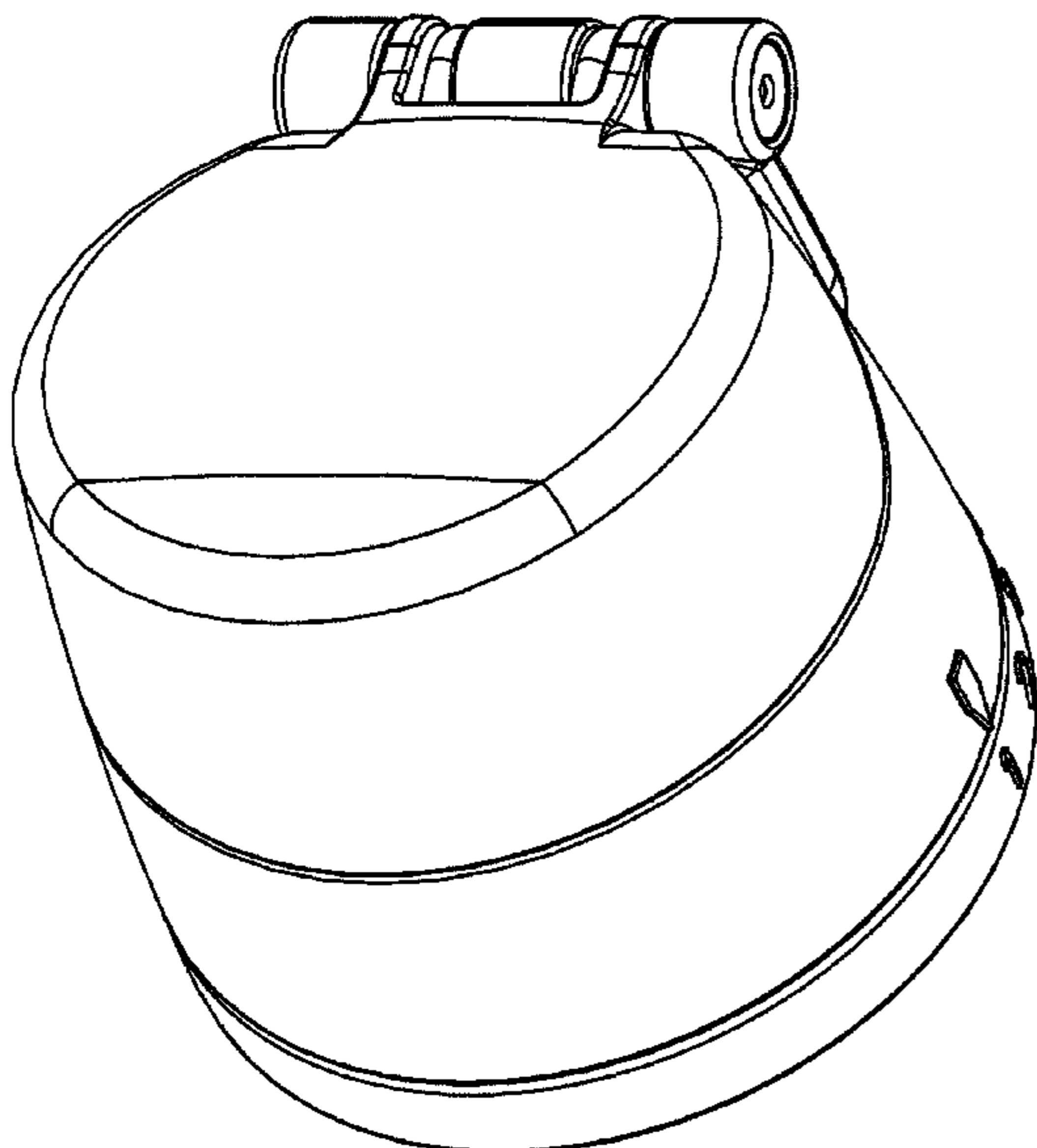
FIG. 5 is a side elevational view of the right side of the lid for
drink bottle having back button released cover and carry loop
of FIG. 1;

FIG. 6 is a rear elevational view of the lid for drink bottle
having back button released cover and carry loop of FIG. 1;

FIG. 7 is a top plan view of the lid for drink bottle having back
button released cover and carry loop of FIG. 1; and,
FIG. 8 is a bottom plan view of the lid for drink bottle having
back button released cover and carry loop of FIG. 1.

The broken lines showing in the figures are included for the
purpose of illustrating portions of the lid for drink bottle
having back button released cover and carry loop that form no
part of the claimed design.

1 Claim, 8 Drawing Sheets



(56)

References Cited

U.S. PATENT DOCUMENTS

D538,110	S *	3/2007	Kitamura et al.	D7/608
D590,661	S *	4/2009	Kitamura et al.	D7/510
D592,012	S *	5/2009	Carreno	D7/510
D596,460	S *	7/2009	Nezu	D7/510
D608,640	S *	1/2010	Carreno	D9/449
D612,235	S *	3/2010	Cresswell et al.	D9/443
7,735,665	B2 *	6/2010	Robinson	215/237
D620,357	S *	7/2010	Jewett et al.	D9/443
D690,557	S *	10/2013	Carreno et al.	D7/510
D690,558	S *	10/2013	Lane	D7/510
D690,559	S *	10/2013	Lane	D7/510
D695,069	S *	12/2013	Lane	D7/510
8,622,229	B2 *	1/2014	Lane	215/245

OTHER PUBLICATIONS

18 oz. thermos lid, dated Jul. 18, 2012, found online at <http://knit-tinpeace.com/2012/07/18/thermos-18-oz-water-bottle/olympus-digital-camera-263/>.*

Thermos Vacuum Insulated Stainless Steel Hydration Bottle, earliest date found: Jul. 18, 2009; found online at http://www.amazon.com/Thermos-Insulated-18-Ounce-Stainless-Steel-Hydration/dp/B000FJ9DOK/ref=sr_1_1?ie=UTF8&qid=1387563441&sr=8-1&keywords=thermos-insulated-18-ounce-stainless-steel-hydration%2F.*

Thermos Bottle Image 1; (1 page).

Thermos Bottle Image 2; (1 page).

Thermos Bottle Image 3; (1 page).

Thermos Bottle Image 4; (1 page).

* cited by examiner

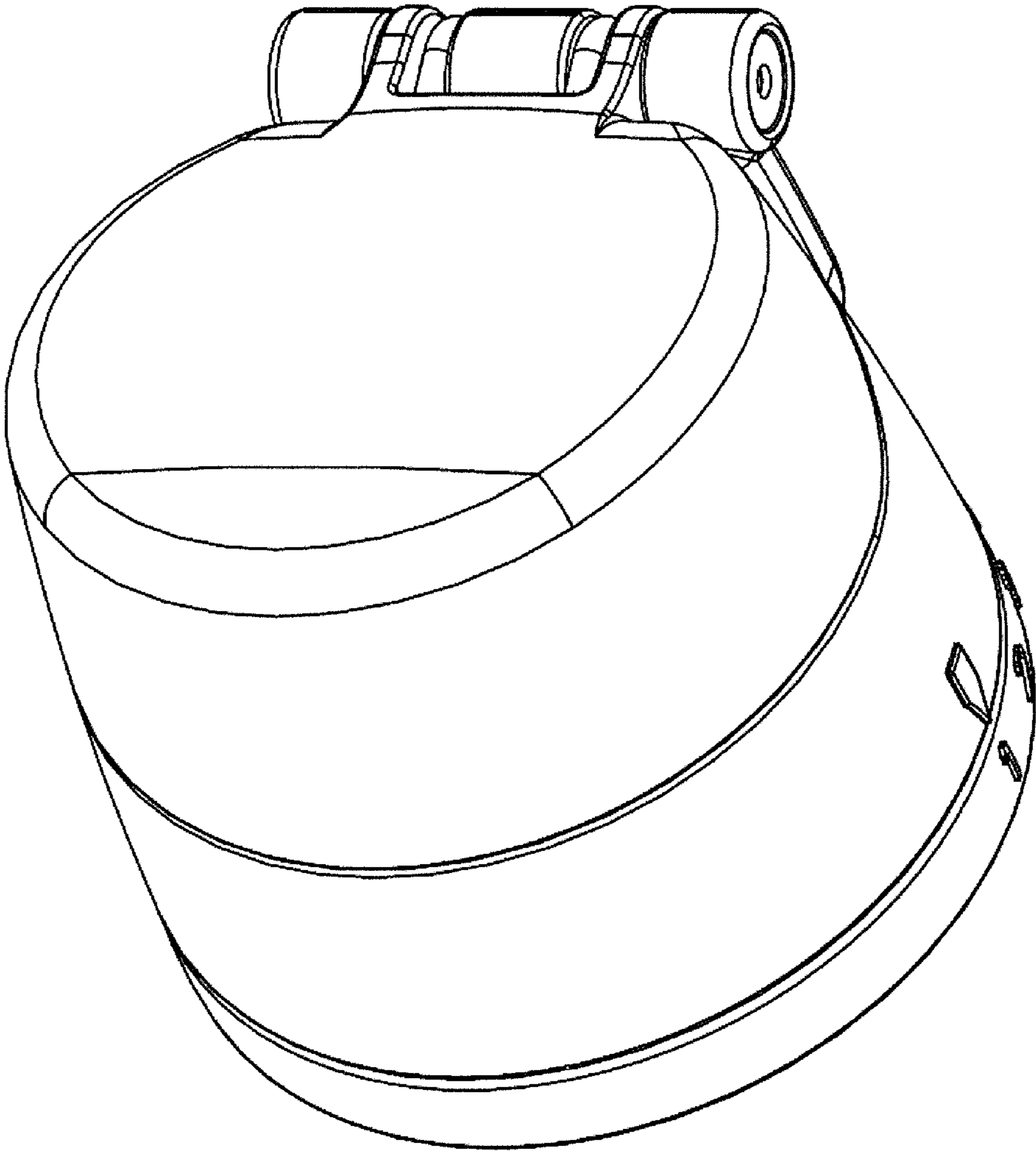


Figure 1

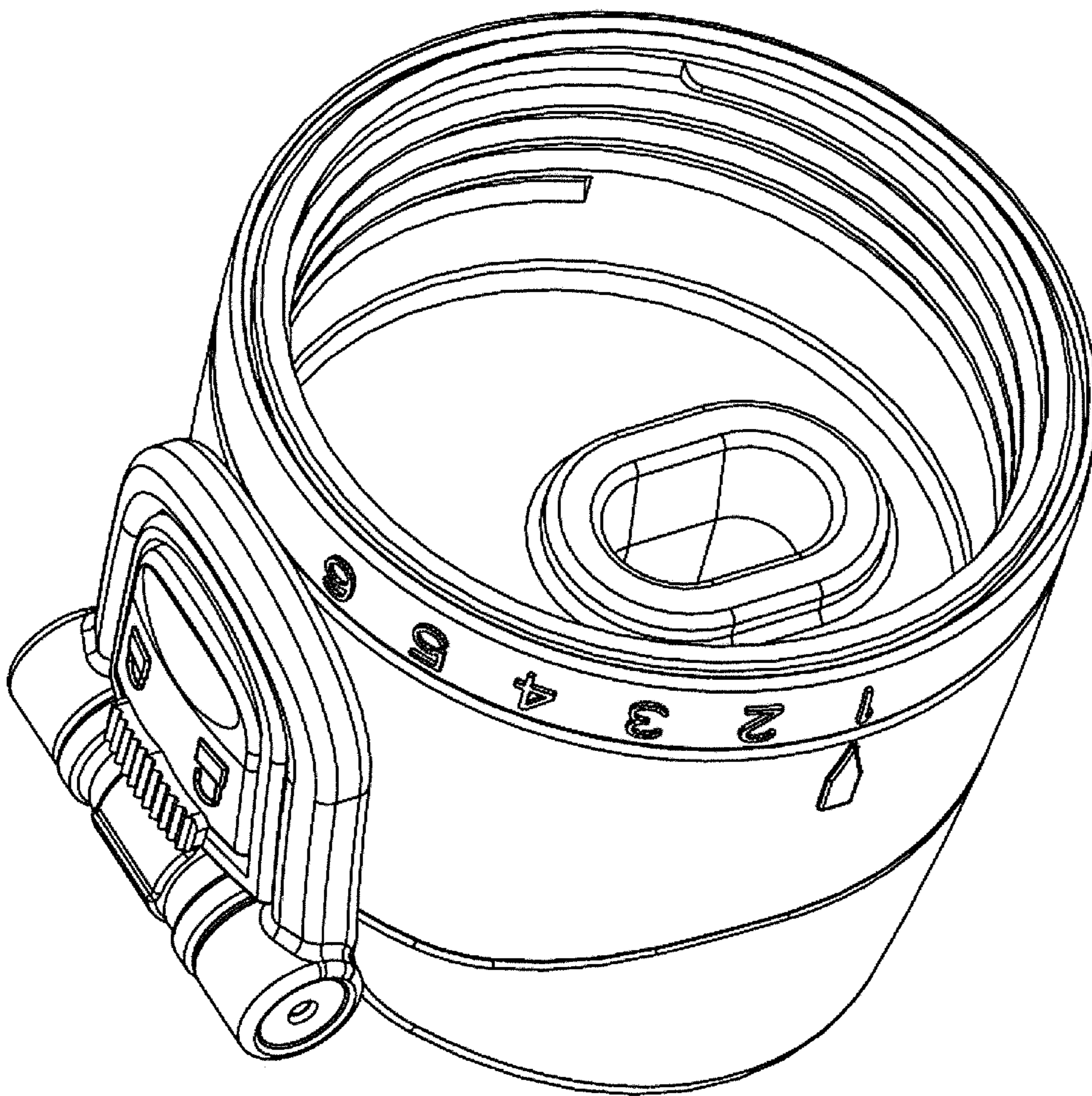


Figure 2

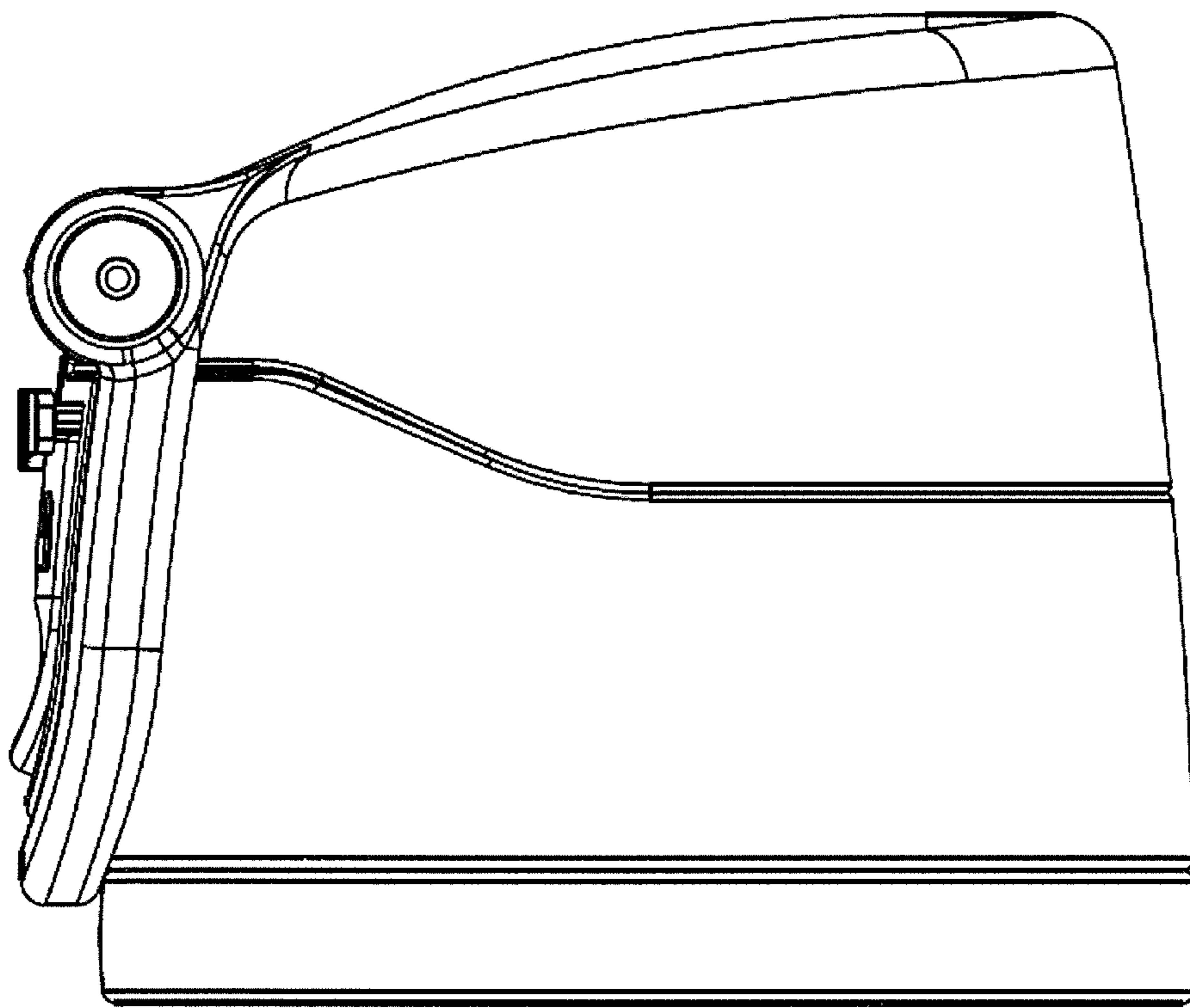


Figure 3

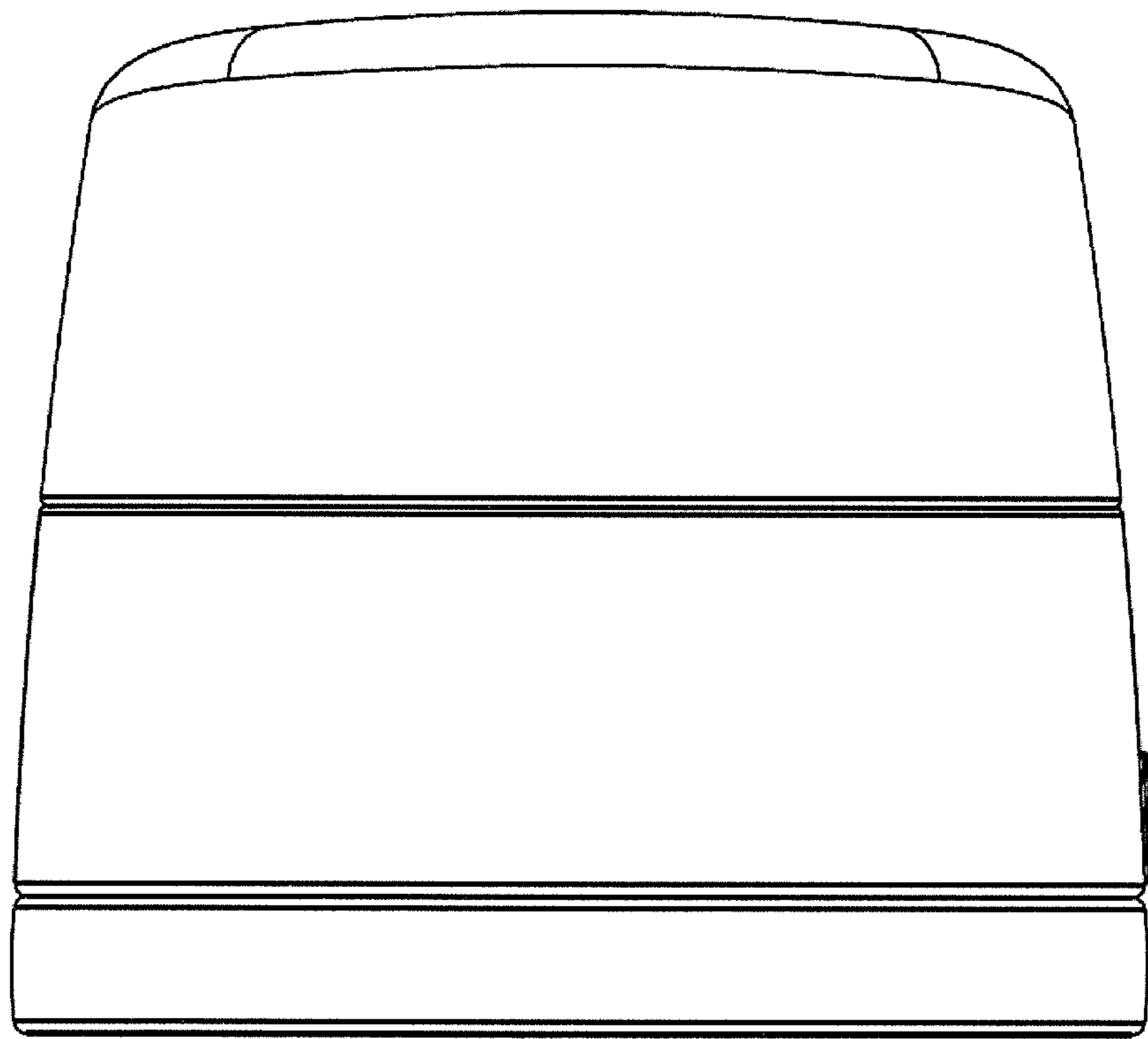


Figure 4

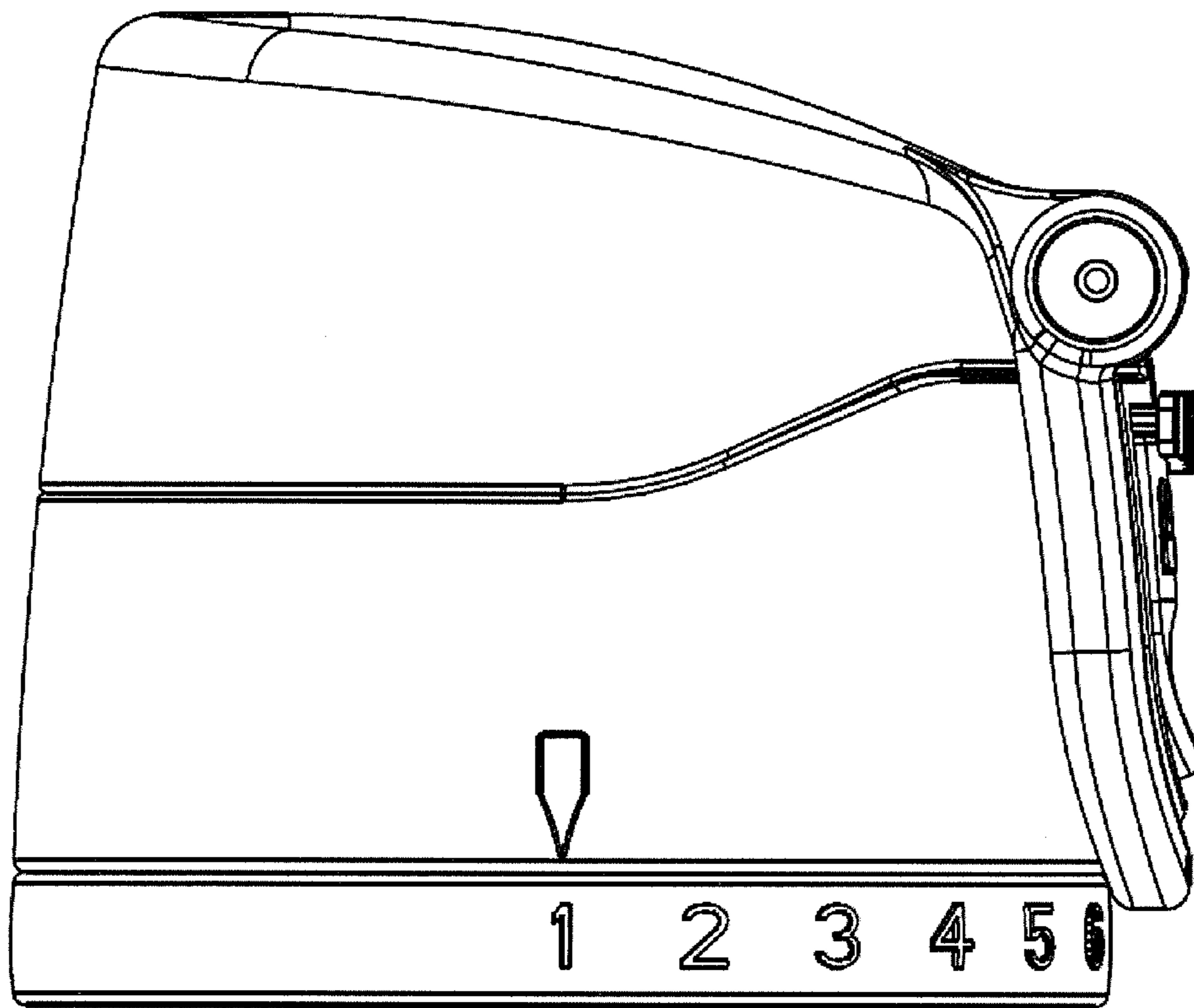


Figure 5

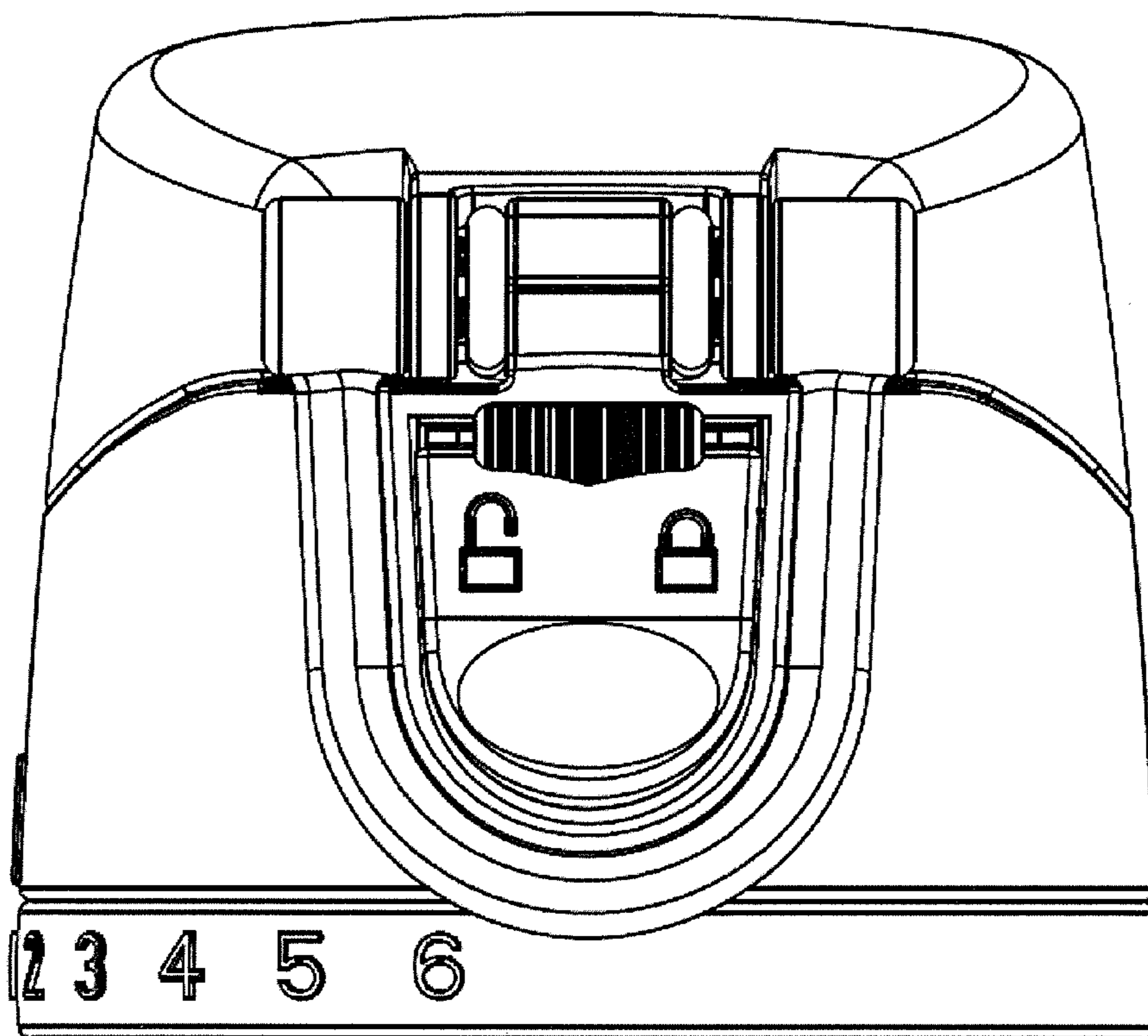


Figure 6

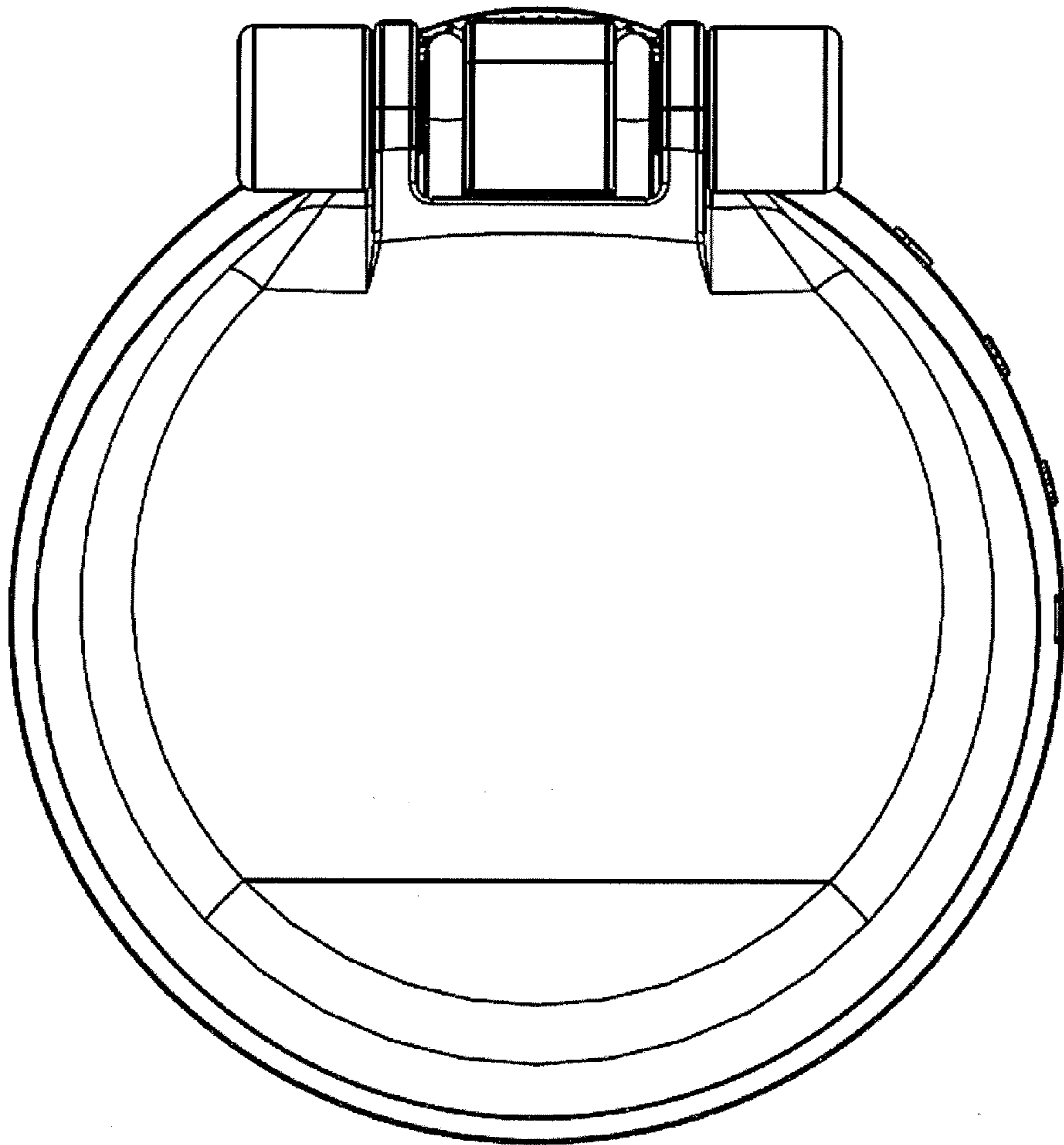


Figure 7

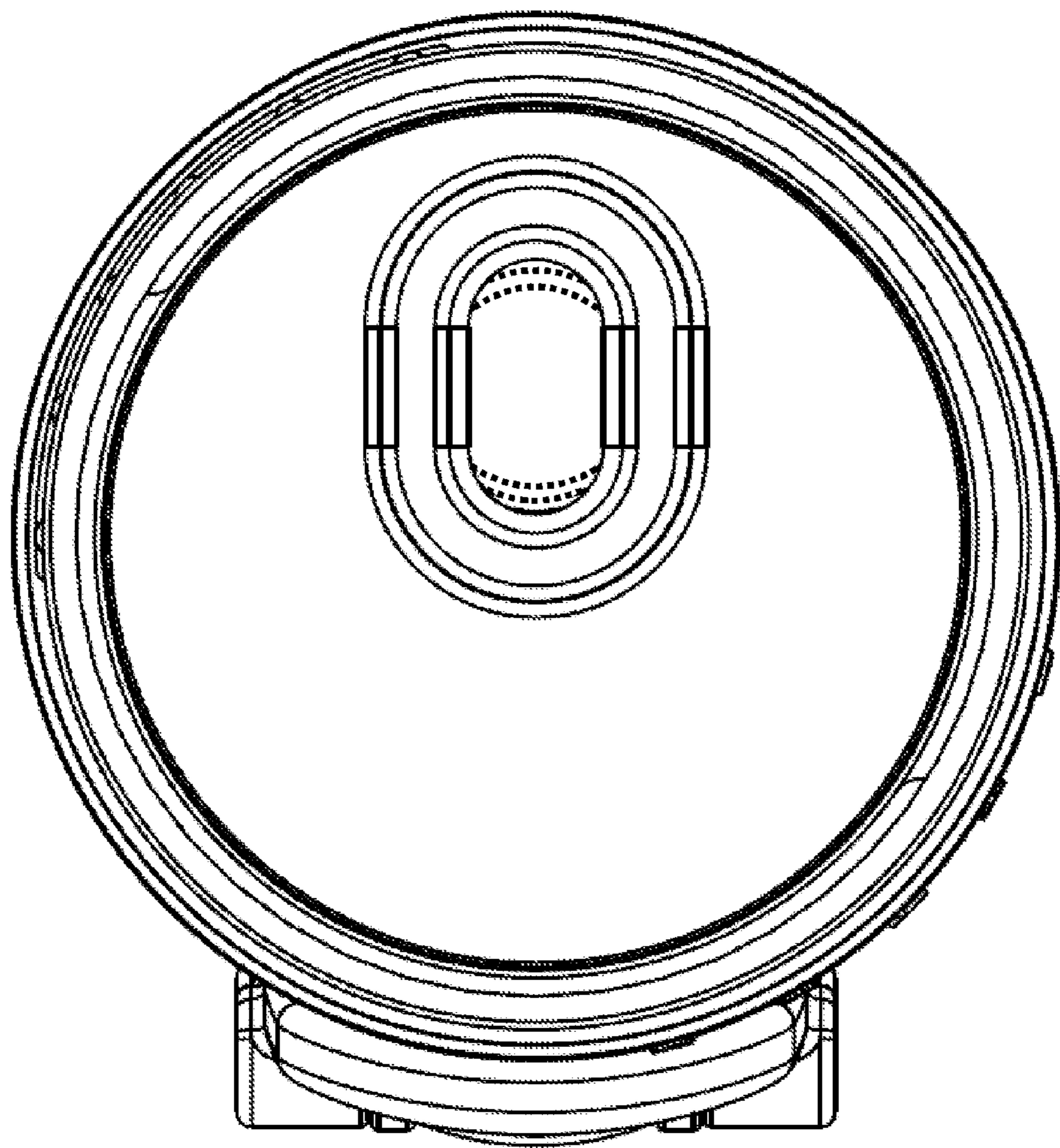


Figure 8