



US00D718623S

(12) **United States Design Patent**
Bhattacharyya et al.

(10) **Patent No.:** **US D718,623 S**

(45) **Date of Patent:** **** Dec. 2, 2014**

(54) **BOTTLE CAP**

(71) Applicant: **Reckitt Benckiser (Brands) Limited**,
Berkshire (GB)

(72) Inventors: **Sukanta Bhattacharyya**, Ghaziabad
(IN); **Christopher Leonard Padain**,
Henley on Thames (GB); **Stephanie**
Anne Marije Verschoor, Middlesex
(GB); **Randy Bos**, Eindhoven (NL);
Sander Willem Thijssen, Eindhoven
(NL)

(73) Assignee: **Reckitt Benckiser (Brands) Limited**,
Slough, Berkshire (GB)

(**) Term: **14 Years**

(21) Appl. No.: **29/479,434**

(22) Filed: **Jan. 16, 2014**

(30) **Foreign Application Priority Data**

Aug. 5, 2013	(EM)	002286617-0001
Sep. 16, 2013	(EM)	002310243-0001
Dec. 18, 2013	(EM)	001394688-0001
Dec. 18, 2013	(EM)	001394688-0002
Dec. 18, 2013	(EM)	001394688-0003

(51) **LOC (10) Cl.** **09-07**

(52) **U.S. Cl.**
USPC **D9/447**

(58) **Field of Classification Search**
USPC D6/452-545; D7/300, 321, 392.1,
D7/396.2, 500, 507, 509, 510, 511, 900;
D9/434-448, 452-455, 682, 685, 694;
215/200, 235, 236, 252, 254, 329,
215/355-364; 220/203.04-203.07, 220,
220/254.1, 254.4, 556, 703, 704, 705

See application file for complete search history.

(56) **References Cited**

U.S. PATENT DOCUMENTS

D165,653	S	*	1/1952	Johnson	D32/34
D244,513	S	*	5/1977	Butcher	D9/448
D381,580	S	*	7/1997	Kokenge et al.	D9/447
D424,938	S	*	5/2000	Wise	D9/448
D520,872	S	*	5/2006	Paas et al.	D9/448
D528,911	S	*	9/2006	Turner	D9/448
D595,132	S	*	6/2009	Tseng	D9/448
D644,531	S	*	9/2011	Padain et al.	D9/529
D708,957	S	*	7/2014	Clough et al.	D9/529

* cited by examiner

Primary Examiner — Robert M Spear

Assistant Examiner — Marissa Cash

(74) *Attorney, Agent, or Firm* — Troutman Sanders LLP;
Ryan A. Schneider; Troy S. Kleckley

(57) **CLAIM**

The ornamental design for a bottle cap, as shown and described.

DESCRIPTION

FIG. 1 is a top perspective view of a bottle cap of the present invention;

FIG. 2 is a side view of the bottle cap of FIG. 1;

FIG. 3 is the other side view of the bottle cap of FIG. 1;

FIG. 4 is a rear view of the bottle cap of FIG. 1;

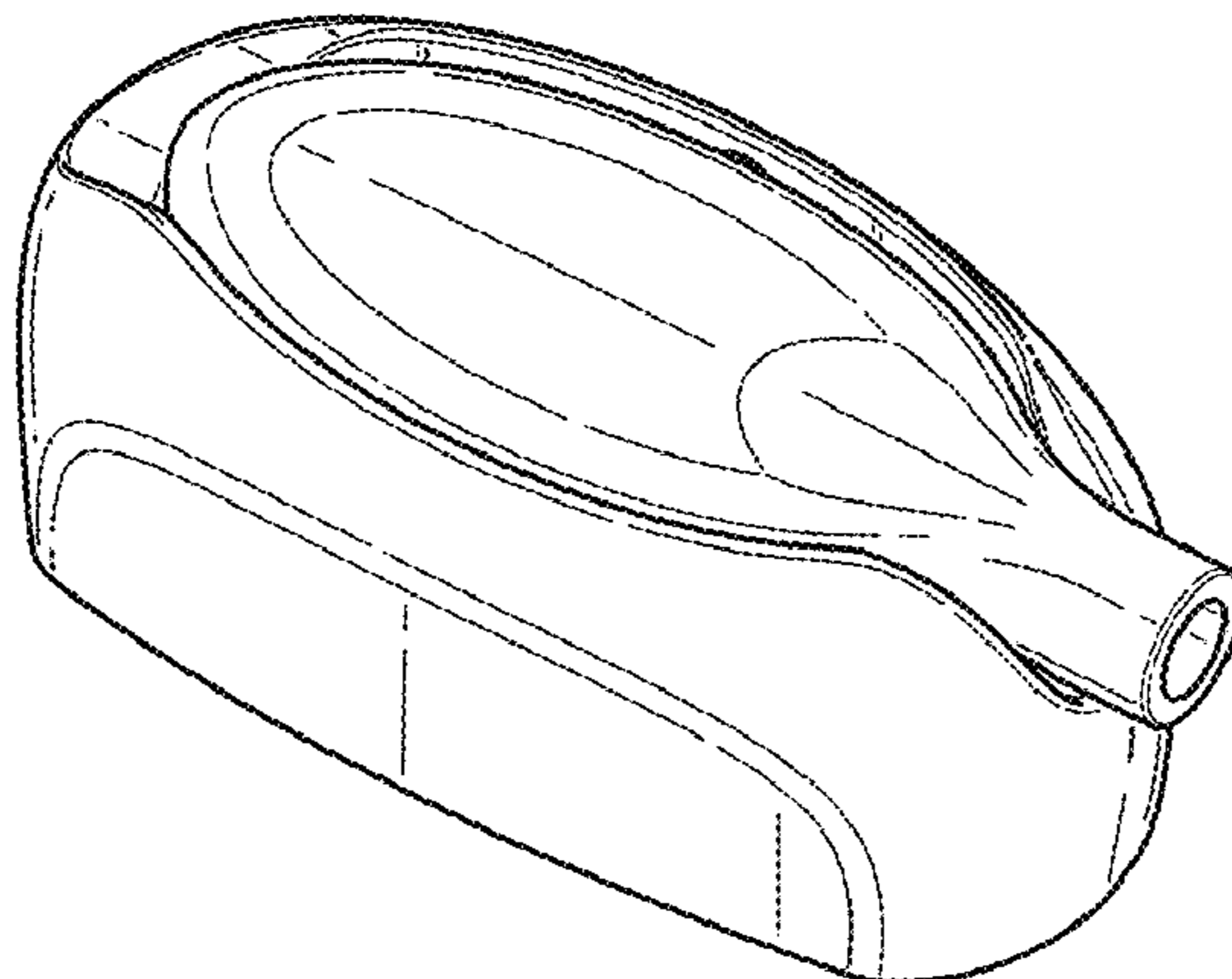
FIG. 5 is a front view of the bottle cap of FIG. 1;

FIG. 6 is a top plan view of the bottle cap of FIG. 1; and,

FIG. 7 is a bottom plan view of the bottle cap of FIG. 1.

In the drawings, the broken lines depict environmental subject matter only and form no part of the claimed design.

1 Claim, 2 Drawing Sheets



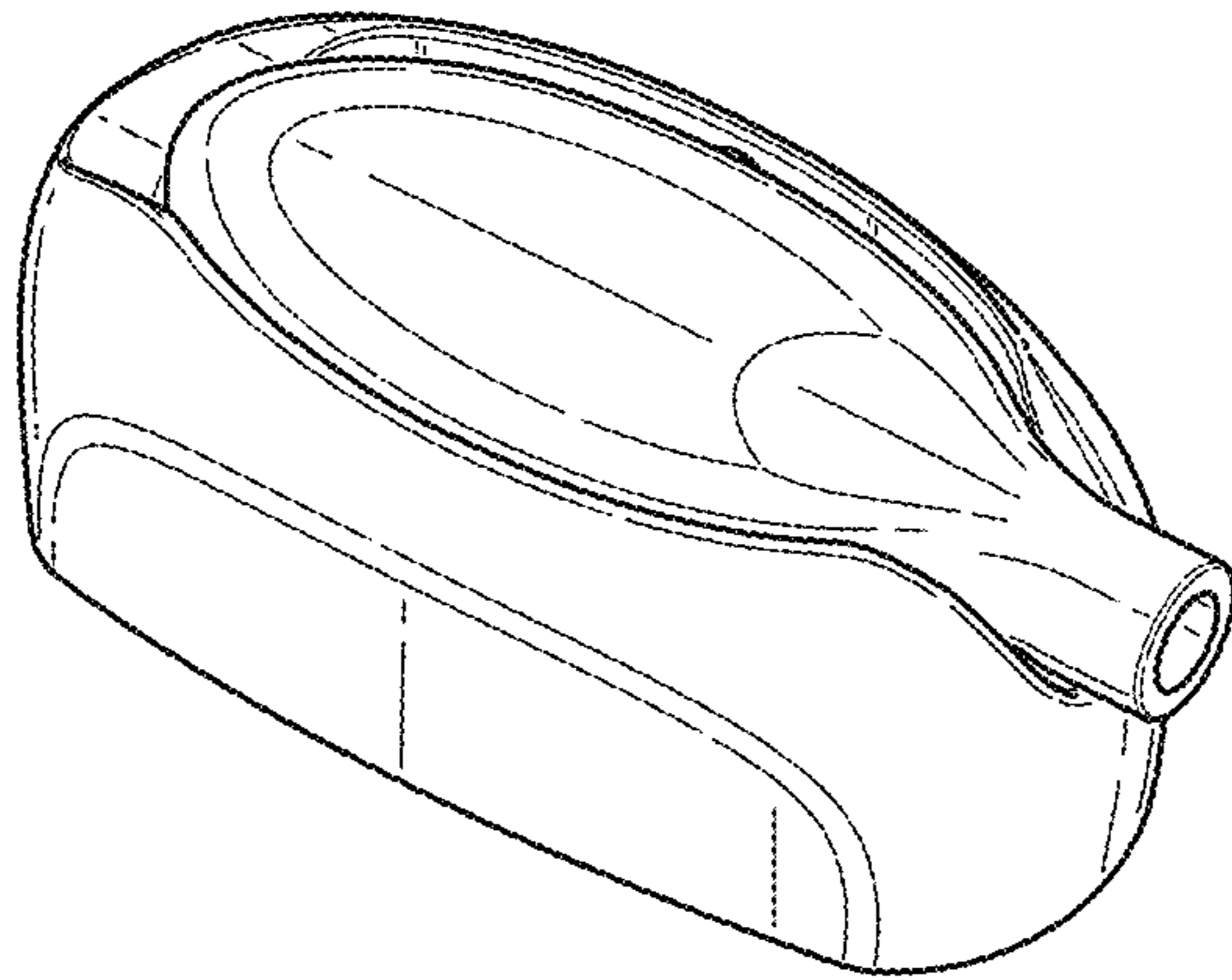


Fig. 1

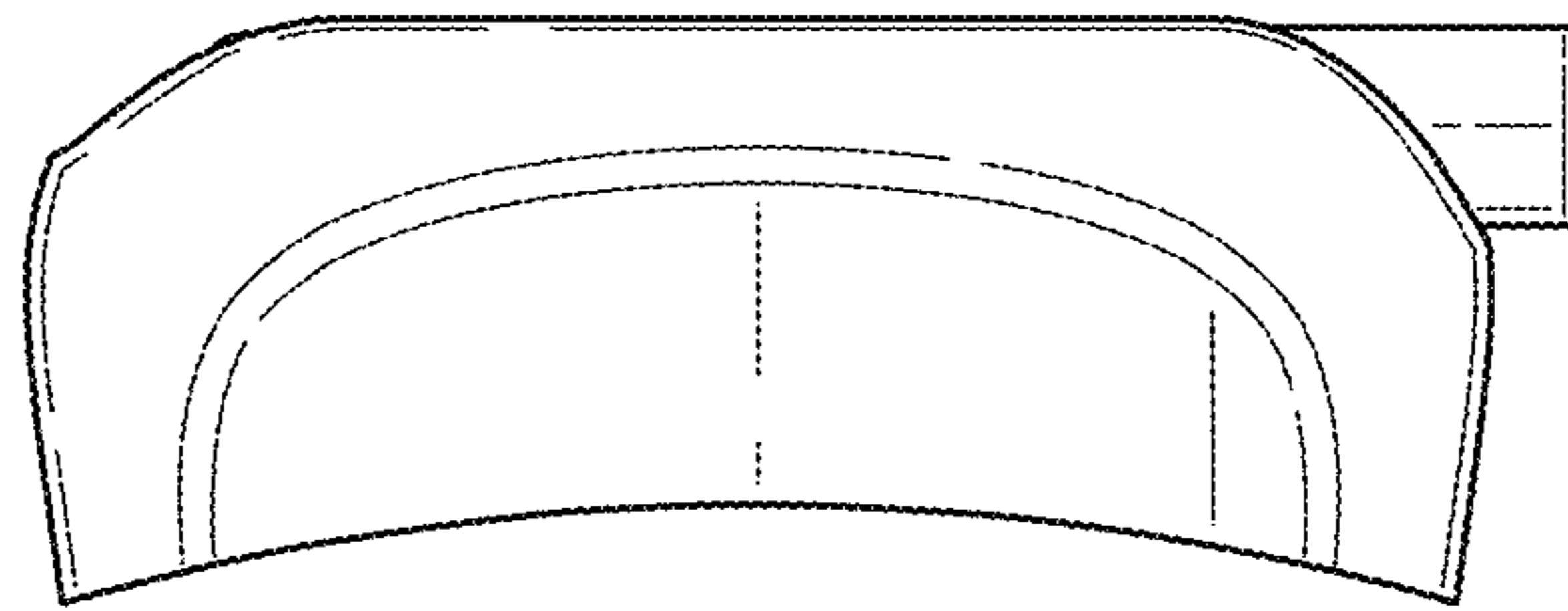


Fig. 2

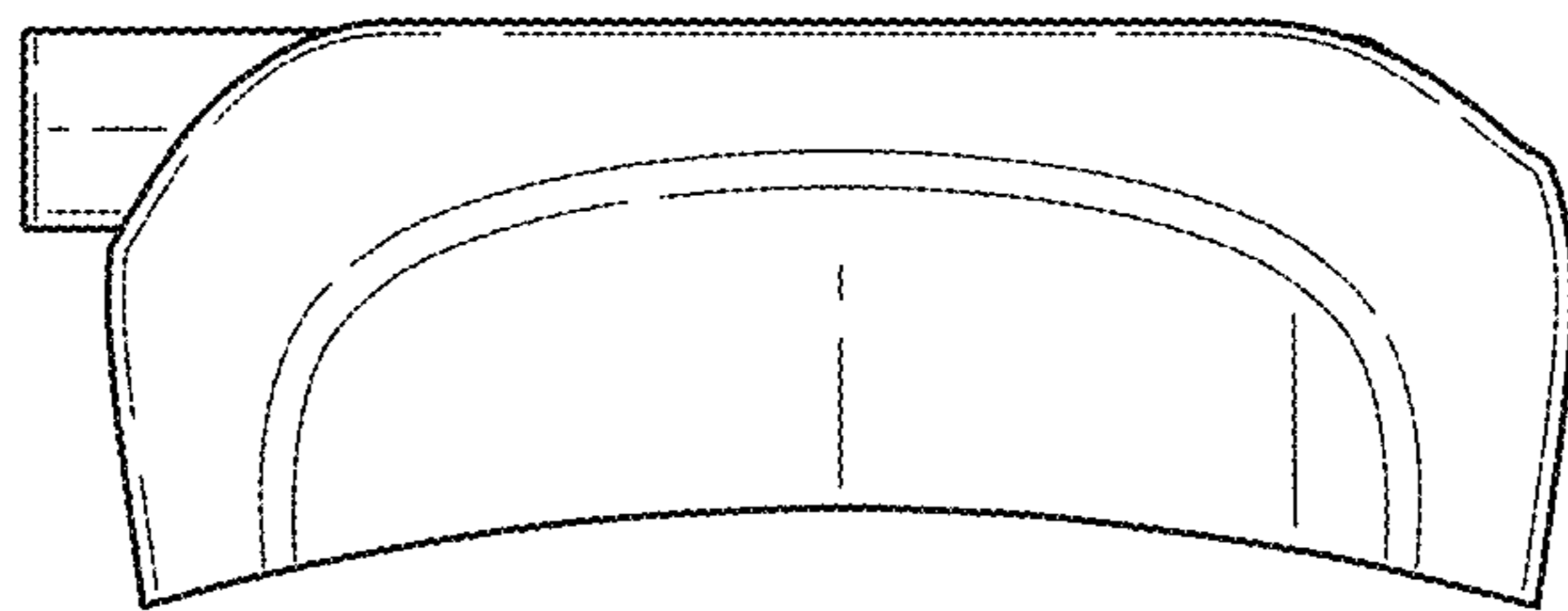


Fig. 3

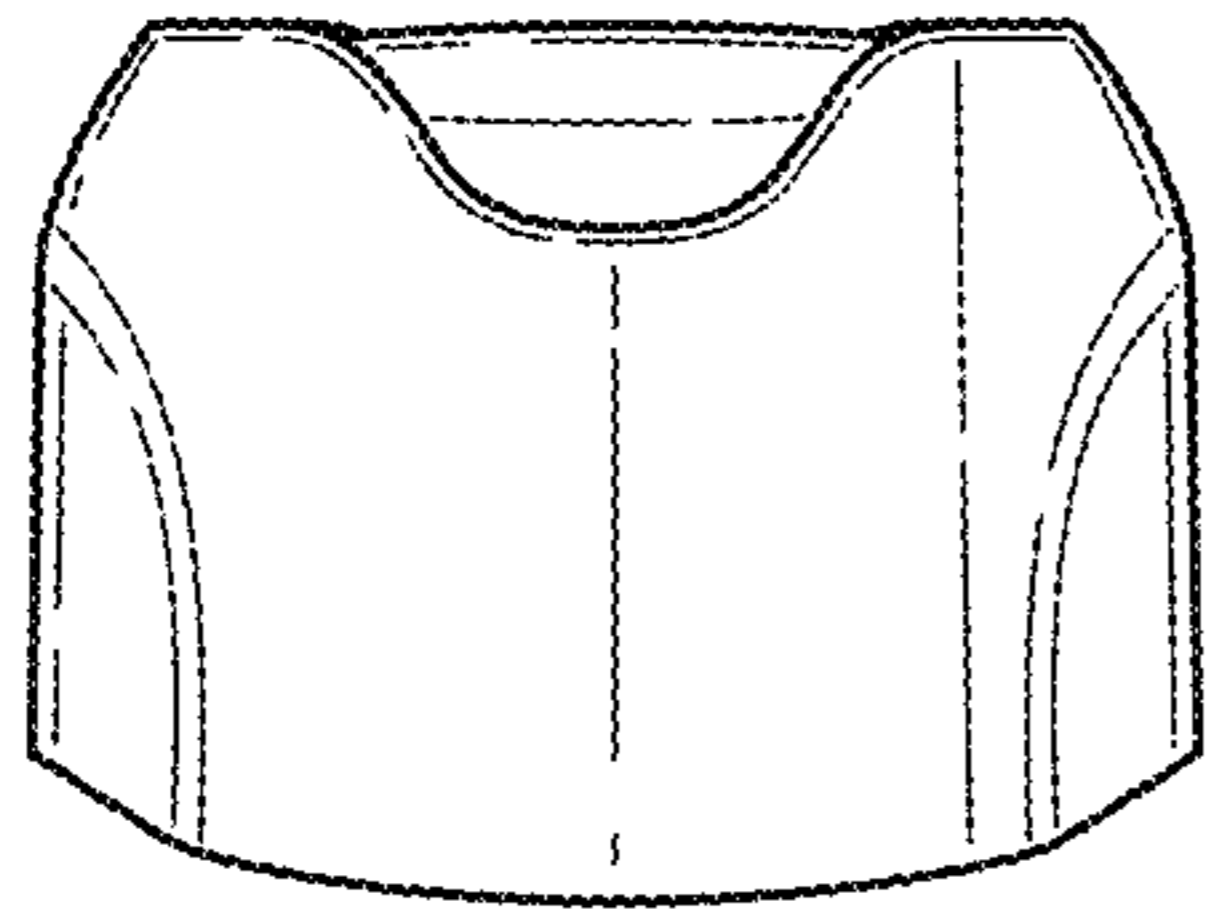


Fig. 4

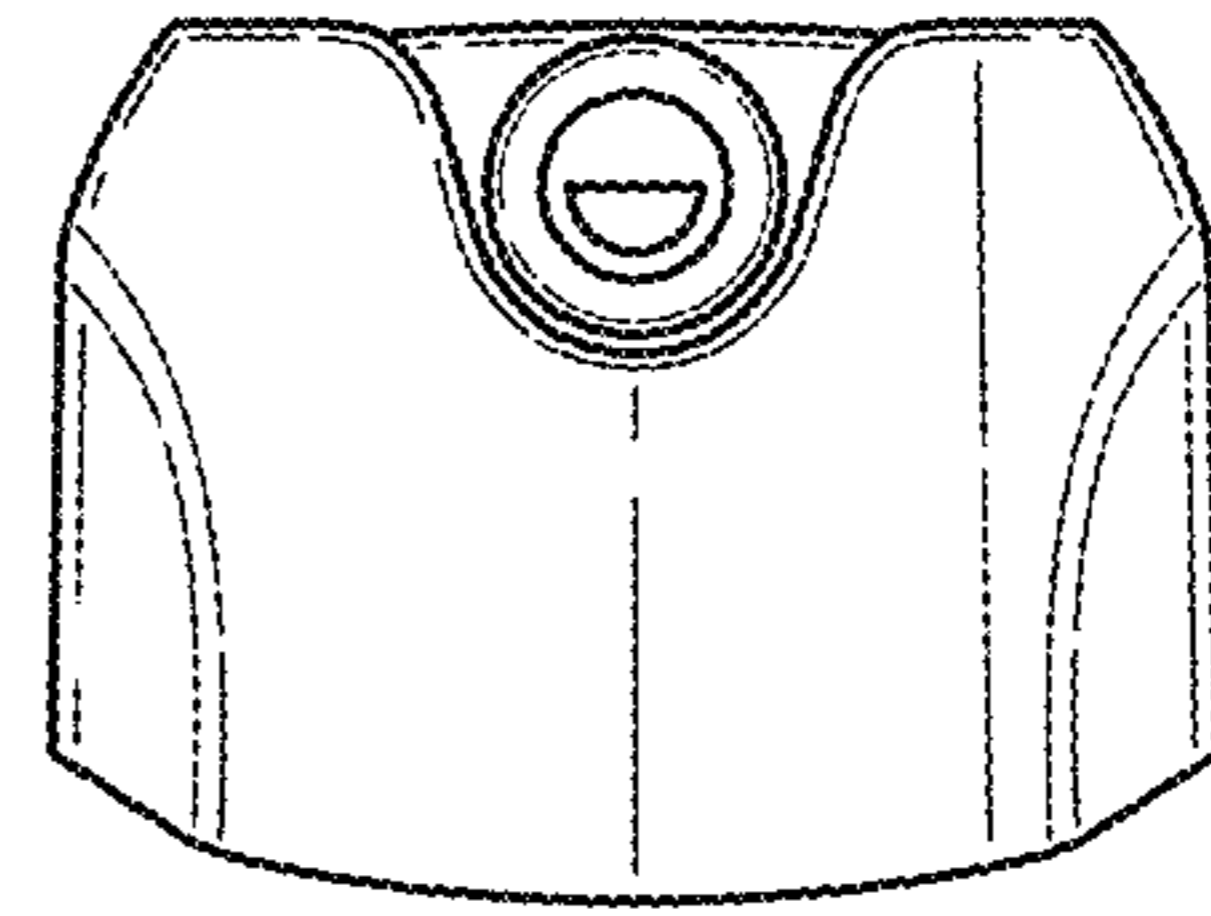


Fig. 5

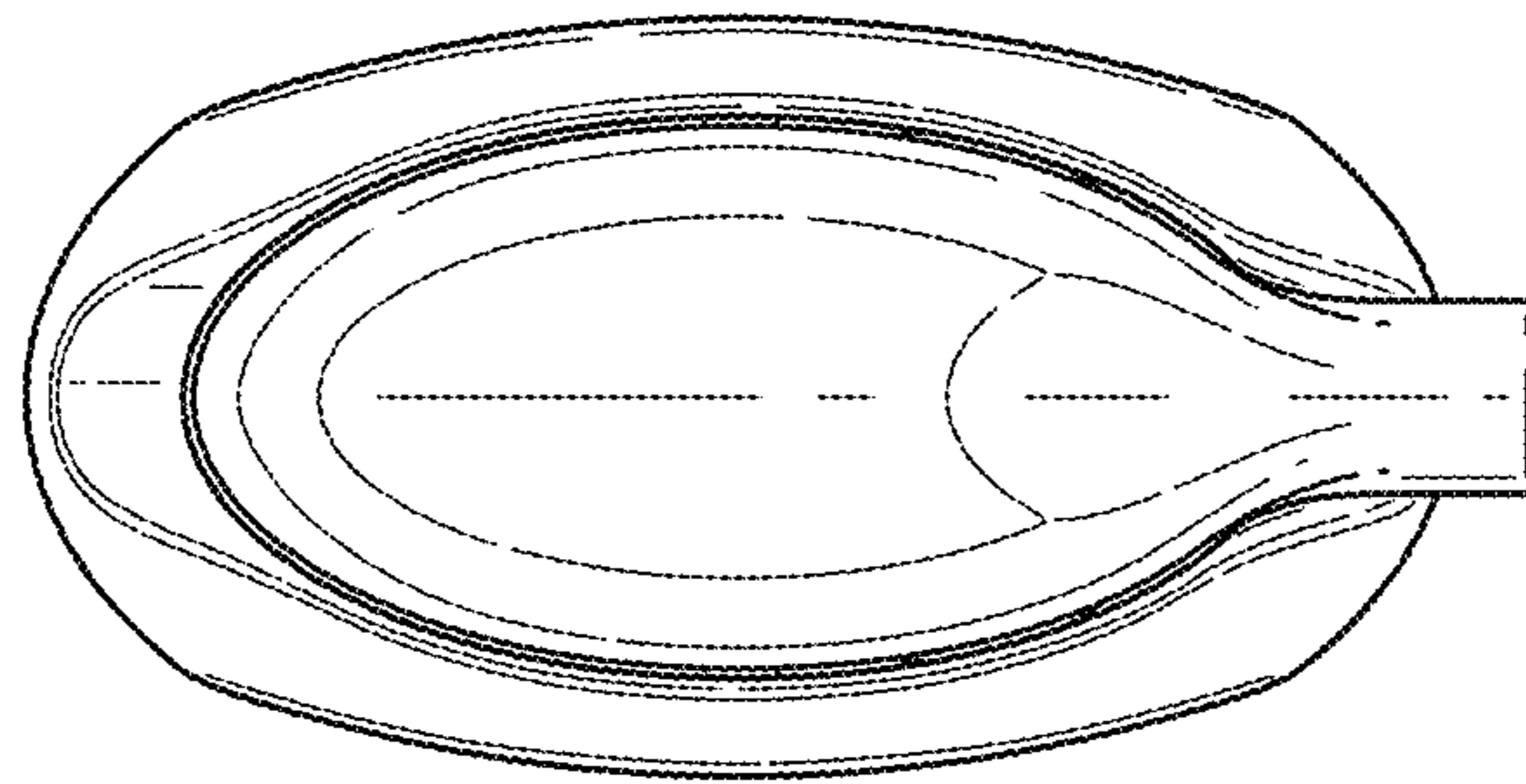


Fig. 6

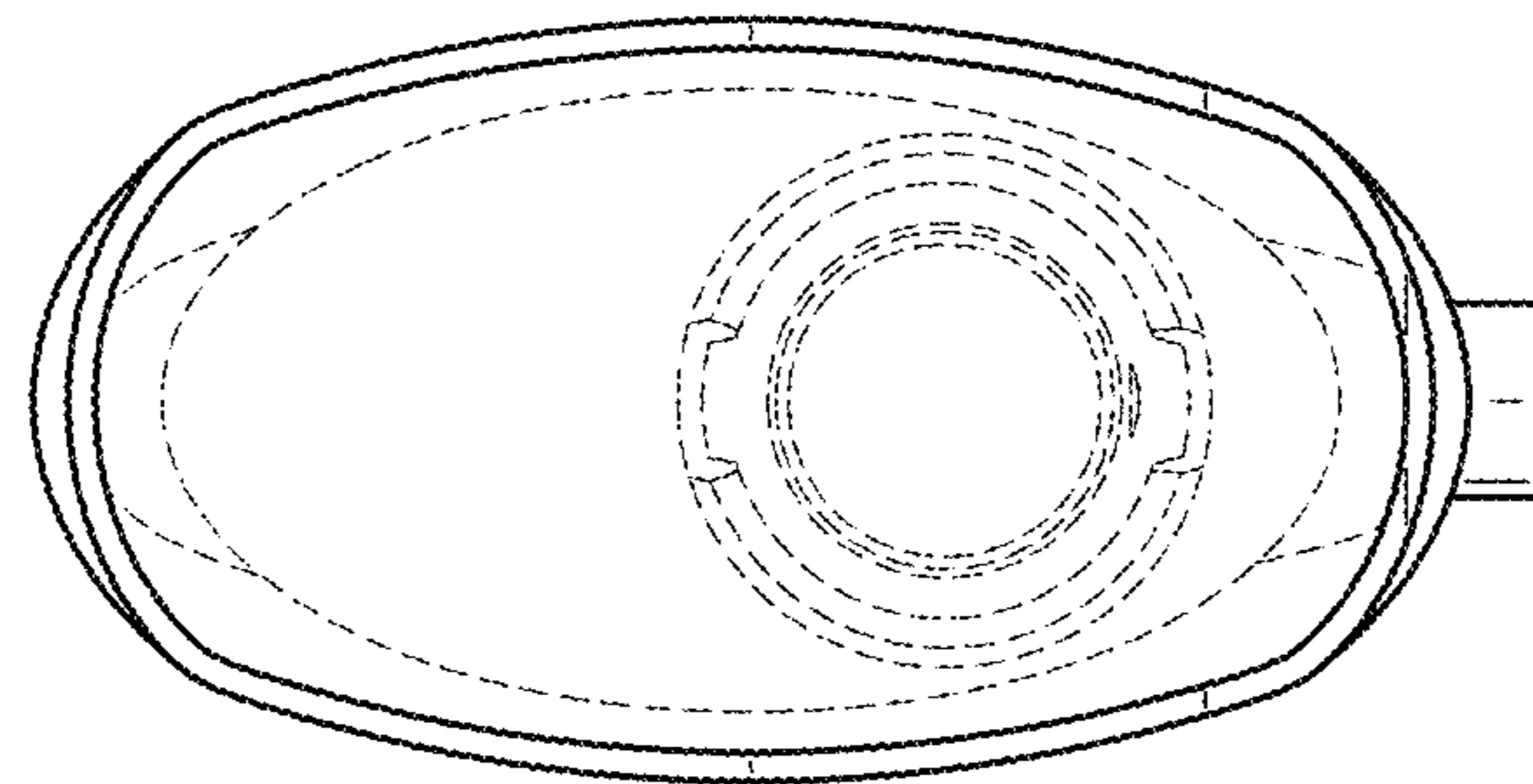


Fig. 7