



US00D718619S

(12) **United States Design Patent**
Short et al.

(10) **Patent No.:** **US D718,619 S**
(45) **Date of Patent:** **** Dec. 2, 2014**

(54) **HANDLE RECEPTACLES FOR CONTAINER**

(75) Inventors: **Philip R. Short**, Vineland Station (CA);
Xie F. Song, Shantou (CN)

(73) Assignee: **Vortex Packaging Niagara, Inc.** (CA)

(**) Term: **14 Years**

(21) Appl. No.: **29/414,165**

(22) Filed: **Feb. 24, 2012**

(51) **LOC (10) Cl.** **09-07**

(52) **U.S. Cl.**
USPC **D9/434**

(58) **Field of Classification Search**
USPC D9/434, 455, 704, 705, 707;
229/117.22–117.25; 16/406, 412–420;
383/9; D8/307–310, 316–318;
294/27.1, 137, 31.2; 220/760; D3/240,
D3/276, 291, 307

See application file for complete search history.

(56) **References Cited**

U.S. PATENT DOCUMENTS

2,176,711	A *	10/1939	Gorman, Jr.	220/776
2,289,824	A *	7/1942	Brogden	229/117.24
2,951,615	A *	9/1960	Crane	229/117.23
3,144,196	A *	8/1964	Sindars	229/117.24
4,215,789	A *	8/1980	Pfeifer	220/762

(Continued)

OTHER PUBLICATIONS

U.S. Appl. No. 29/445,757, filed Feb. 15, 2013, Short et al.

(Continued)

Primary Examiner — Susan Bennett Hattan

Assistant Examiner — Brett Miller

(74) *Attorney, Agent, or Firm* — Steven M. Greenberg;
CRGO Law

(57) **CLAIM**

The ornamental design for a handle receptacles for container, as shown and described.

DESCRIPTION

FIG. 1 is a top front perspective view of a handle receptacles for container according to our new design.

FIG. 2 is a rear bottom perspective view of a handle receptacles for container.

FIG. 3 is a front view of a handle receptacles for container.

FIG. 4 is a first side view of a handle receptacles for container.

FIG. 5 is a rear view of a handle receptacles for container.

FIG. 6 is a second side view of a handle receptacles for container.

FIG. 7 is a bottom view of a handle receptacles for container.

FIG. 8 is an exploded top perspective view of a handle receptacles for container.

FIG. 9 is an enlarged view of a portion of FIG. 1.

FIG. 10 is an enlarged view of a portion of FIG. 2.

FIG. 11 is an enlarged view of a portion of FIG. 3.

FIG. 12 is an enlarged view of a portion of FIG. 4.

FIG. 13 is an enlarged view of a portion of FIG. 5.

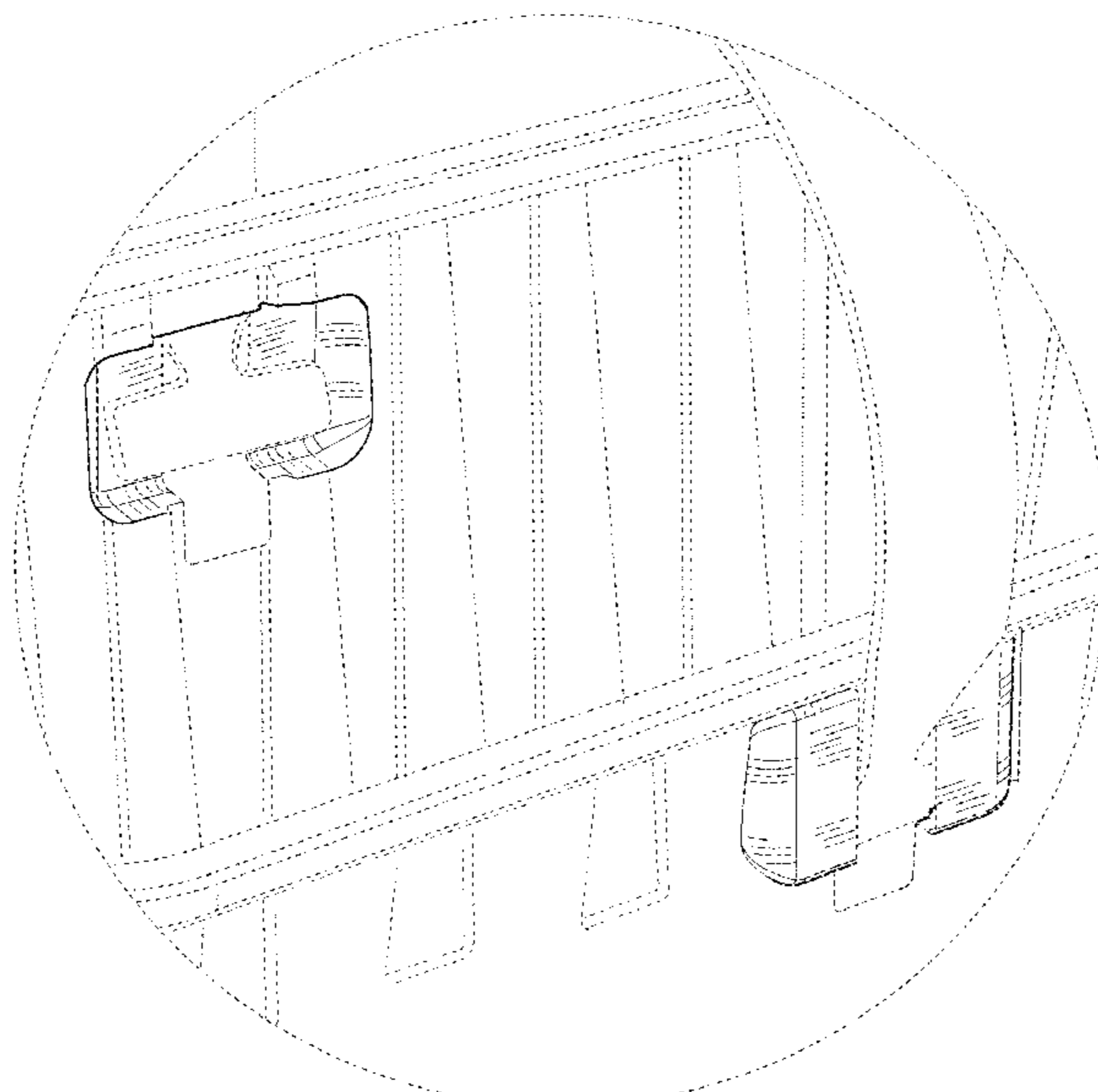
FIG. 14 is an enlarged view of a portion of FIG. 6.

FIG. 15 is an enlarged view of a portion of FIG. 7; and,

FIG. 16 is an enlarged view of a portion of FIG. 8.

This design is directed only to handle receptacles for a container. In the drawings, the broken lines depict portions of an exemplary unclaimed container, lid and handle assembly that form no part of the claimed design.

1 Claim, 16 Drawing Sheets



(56)

References Cited

U.S. PATENT DOCUMENTS

5,137,209 A * 8/1992 Roberts et al. 229/117.25
D364,961 S * 12/1995 Rehrig D3/307
D619,889 S 7/2010 Short et al.
D630,507 S 1/2011 Short et al.
D632,561 S 2/2011 Short et al.
D639,676 S * 6/2011 Wang D9/704
8,371,630 B2 * 2/2013 Huang et al. 220/760

D692,748 S 11/2013 Short et al.
2007/0124996 A1 * 6/2007 Hall 47/65.5
2010/0326998 A1 12/2010 Short et al.
2012/0085774 A1 * 4/2012 Luburic et al. 220/760
2013/0146609 A1 * 6/2013 Campbell et al. 220/760
2013/0206784 A1 * 8/2013 Short et al. 220/760

OTHER PUBLICATIONS

U.S. Appl. No. 29/476,852, filed Dec. 17, 2013, Short et al.

* cited by examiner

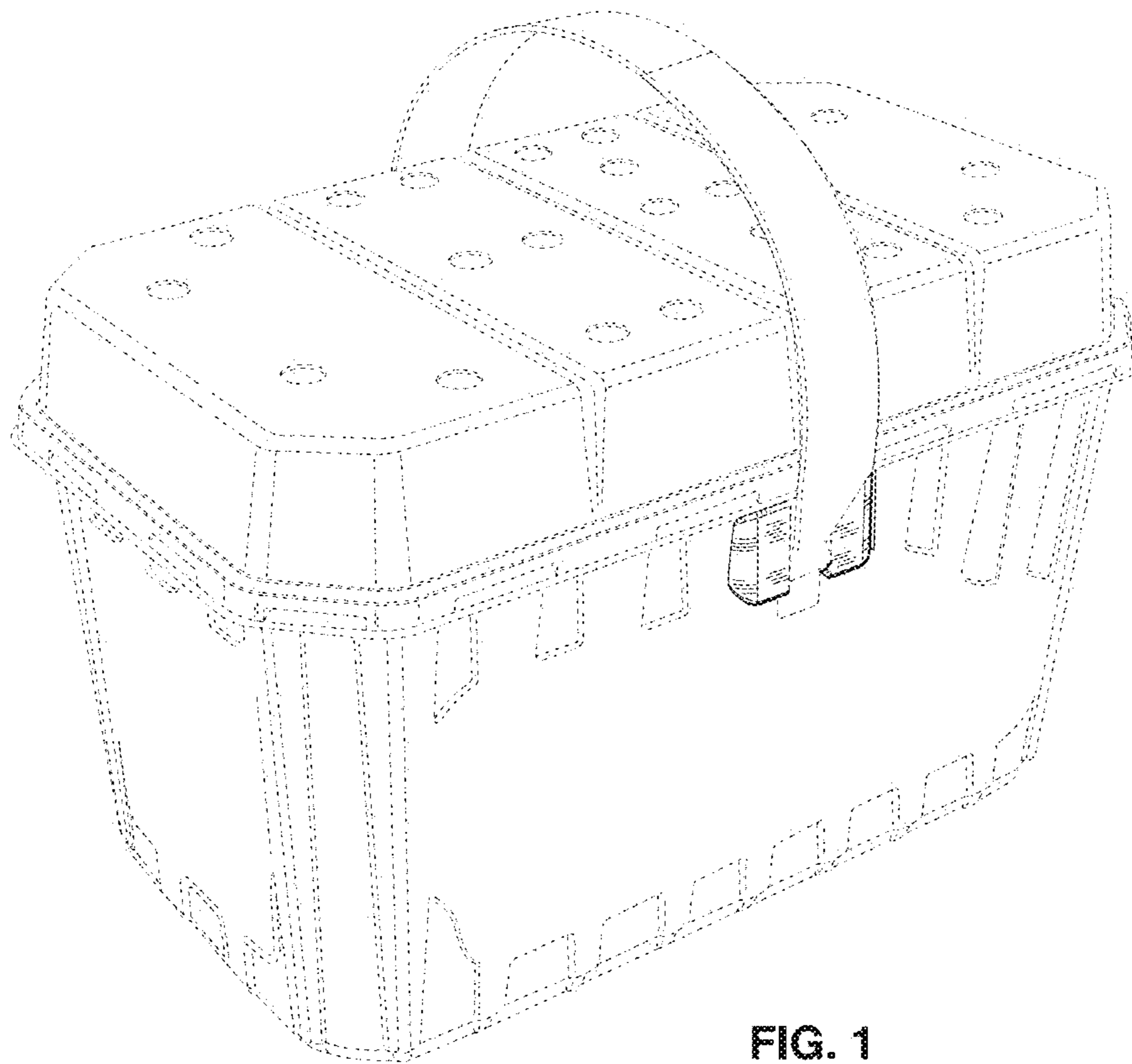


FIG. 1

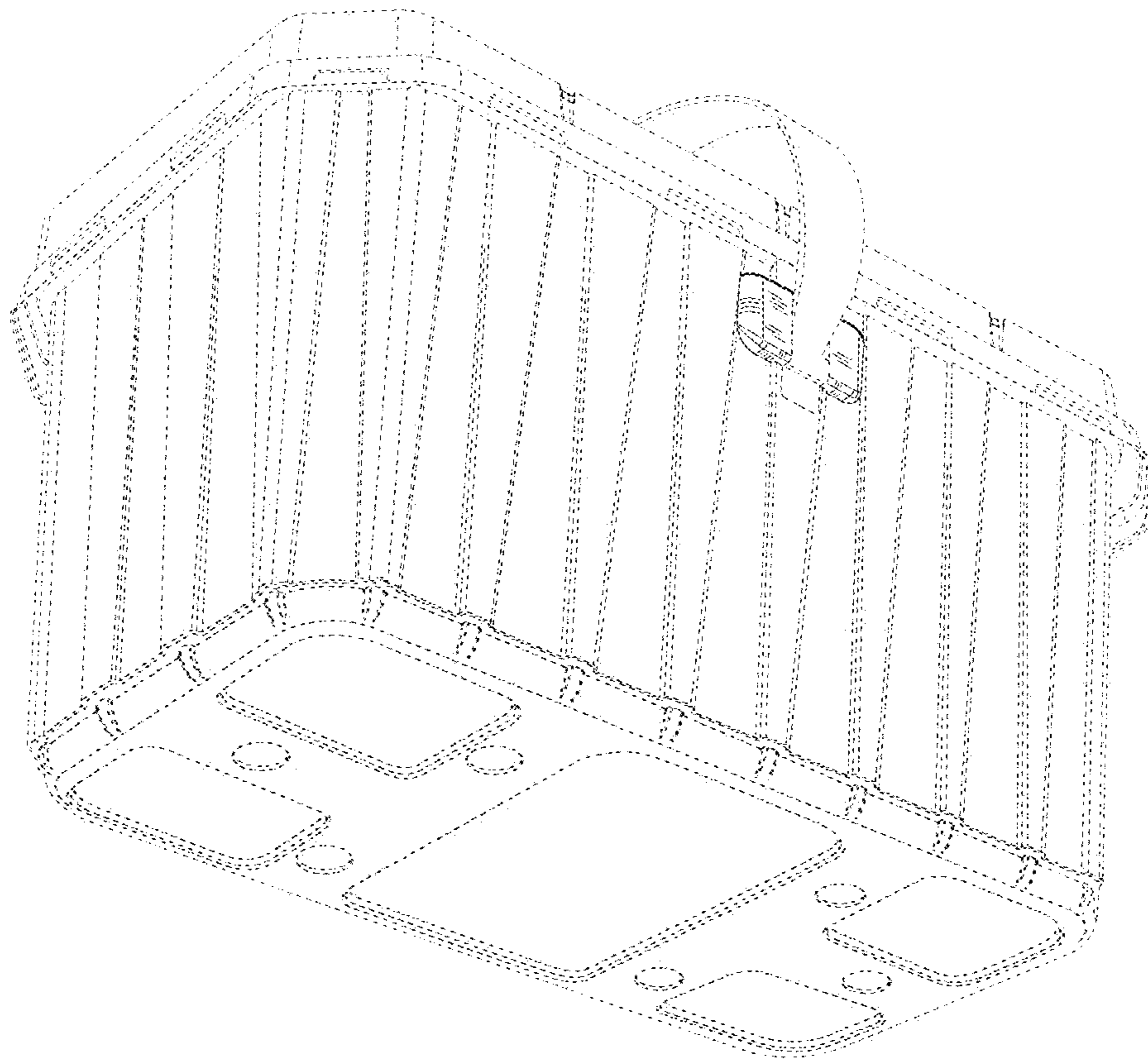


FIG. 2

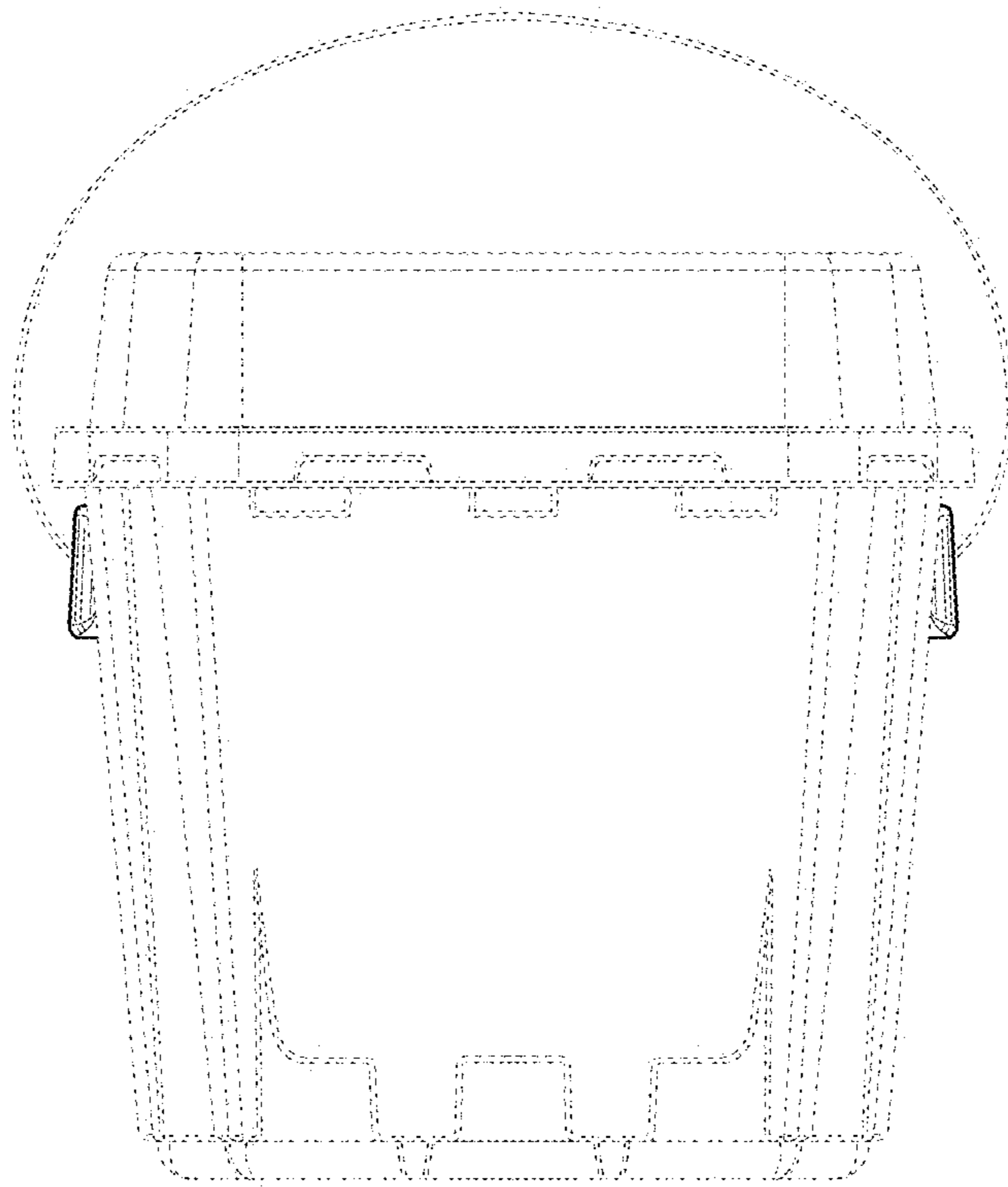


FIG. 3

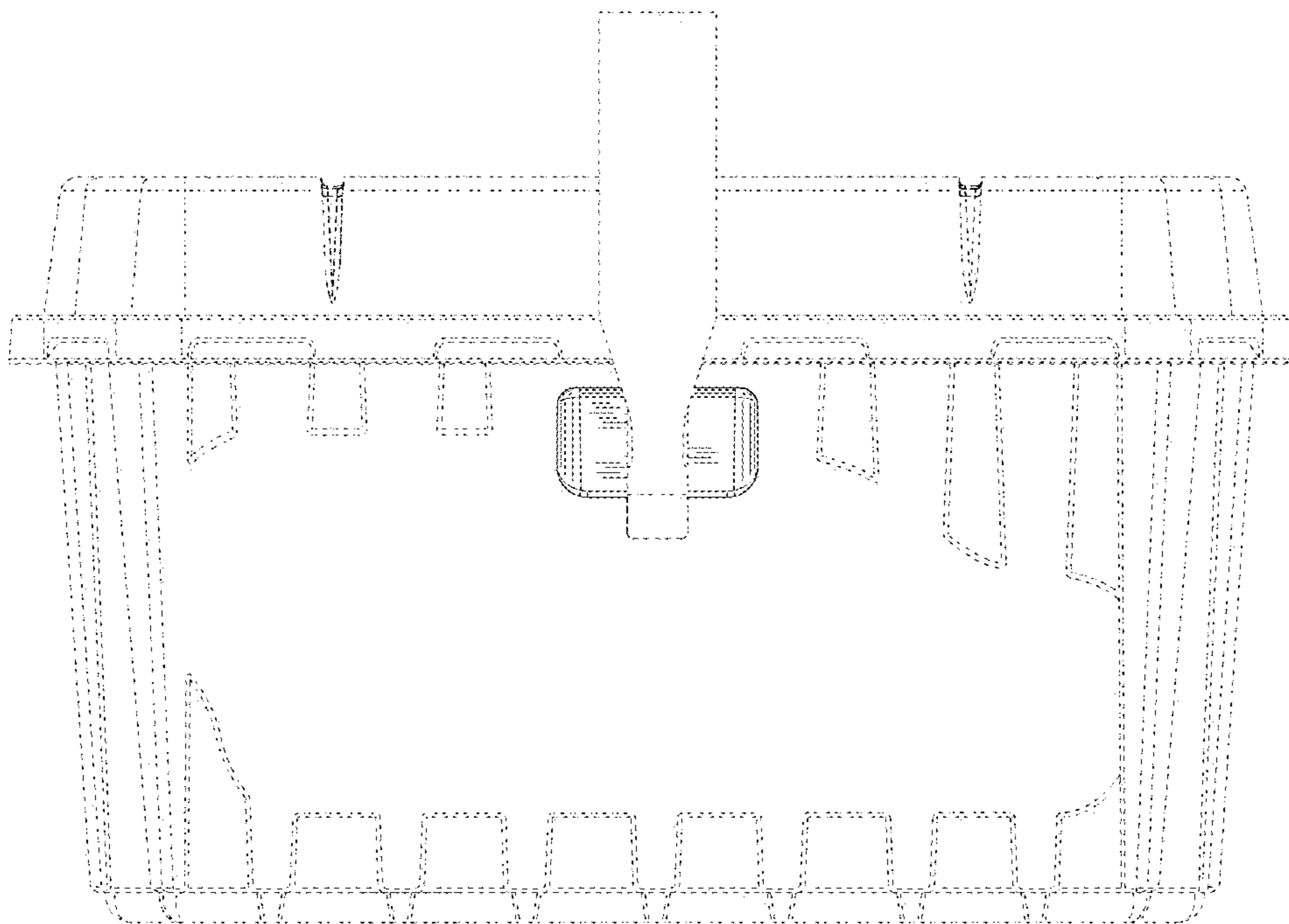


FIG. 4

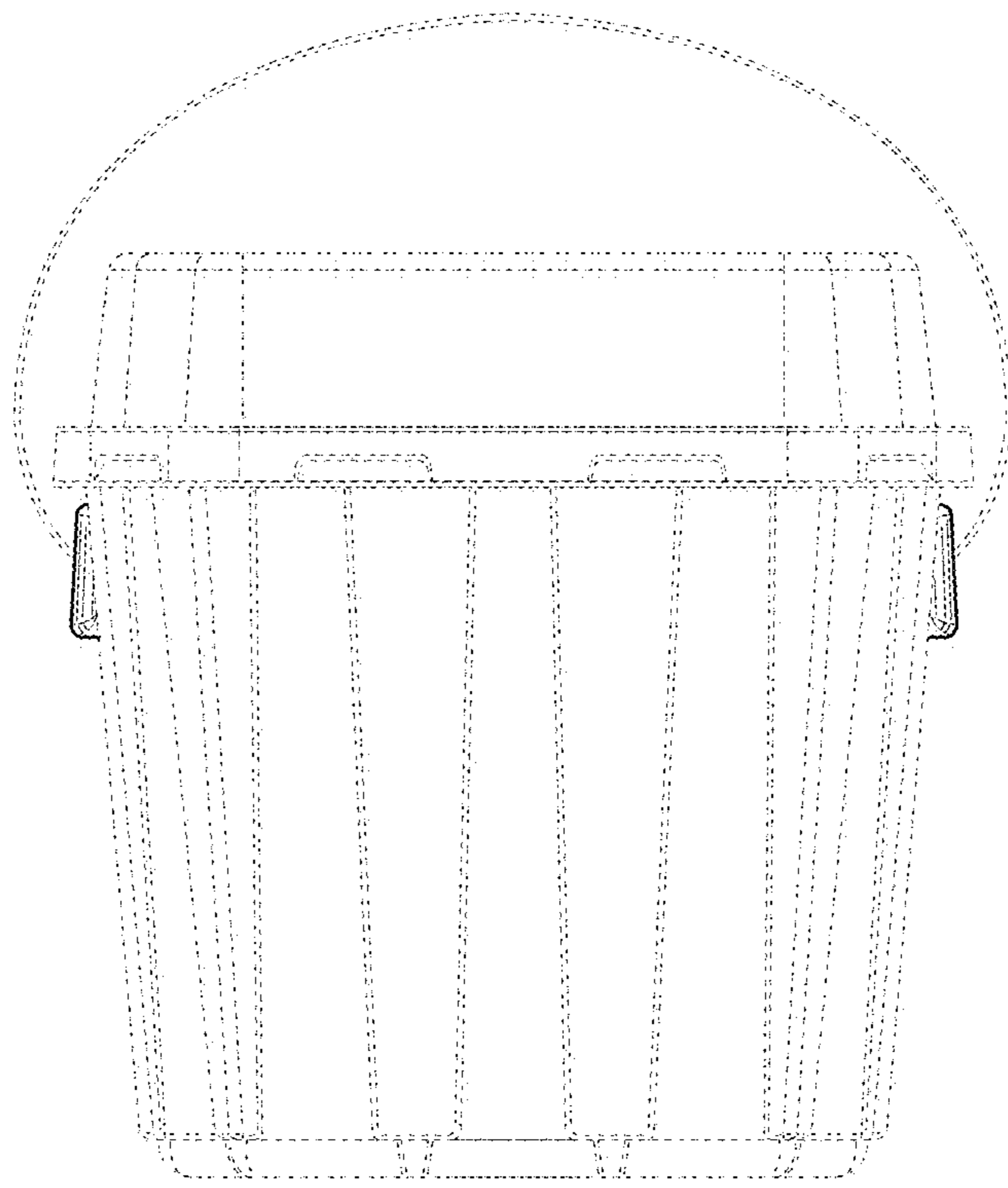


FIG. 5

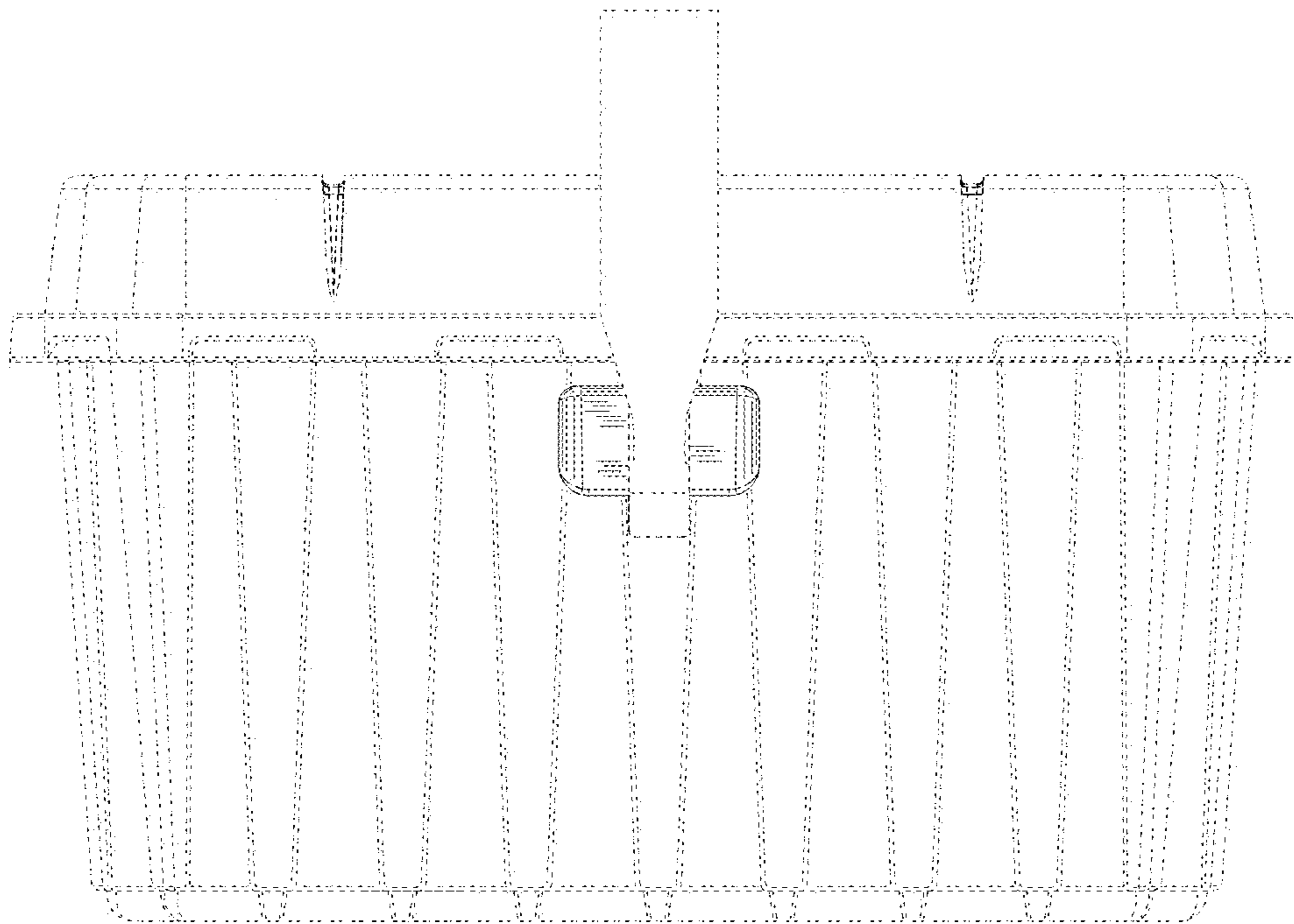


FIG. 6

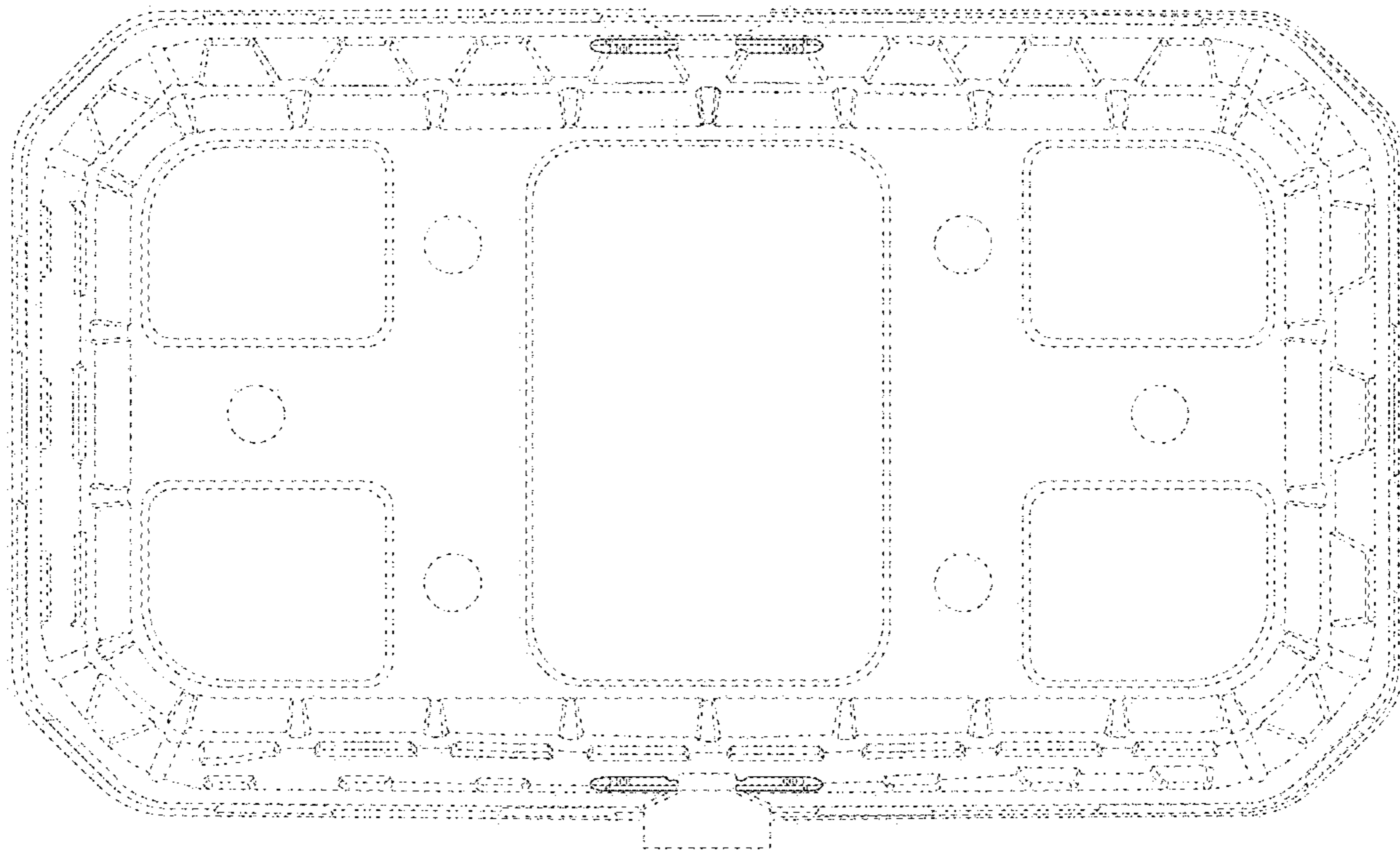


FIG. 7

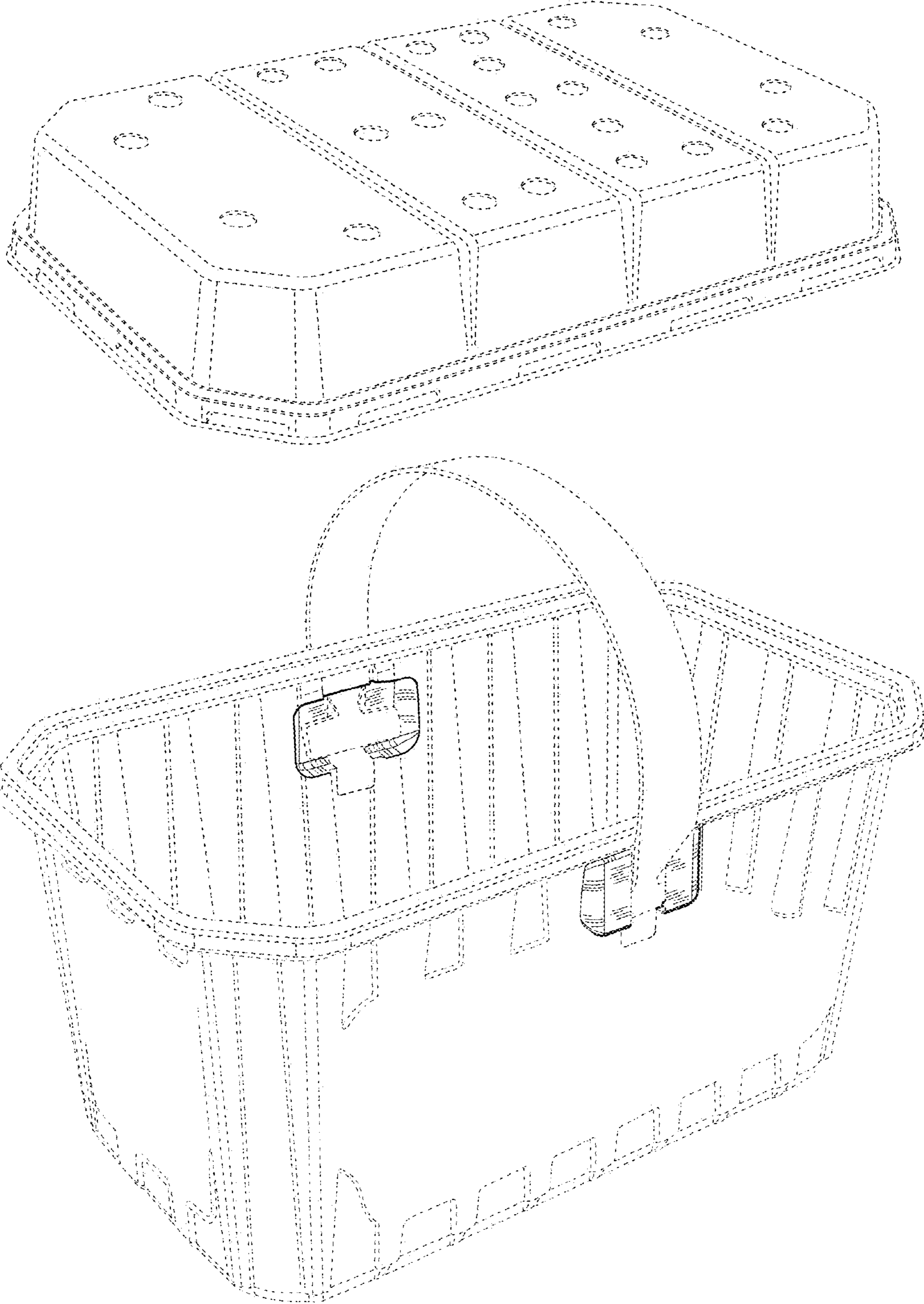


FIG. 8

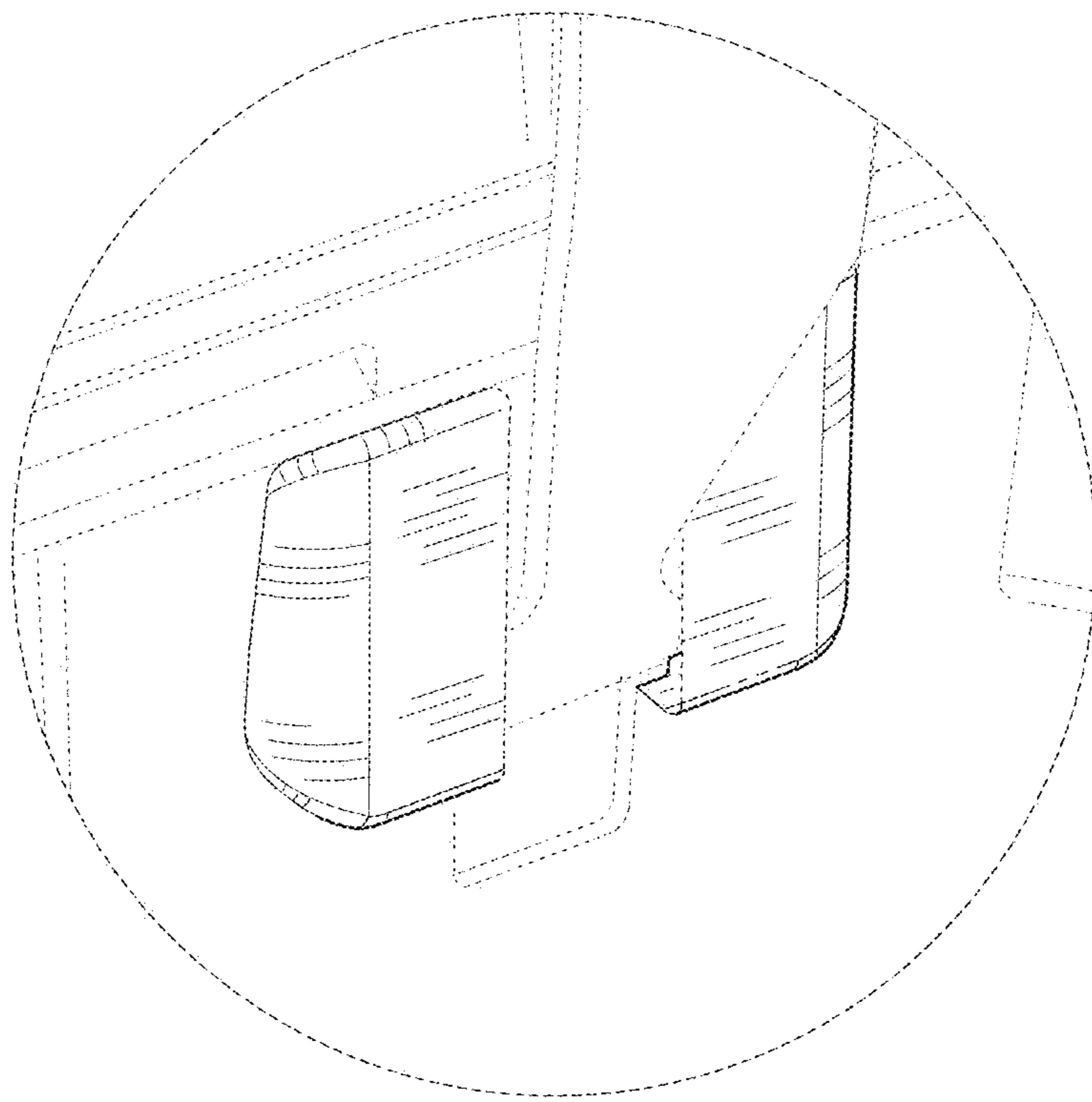


FIG. 9

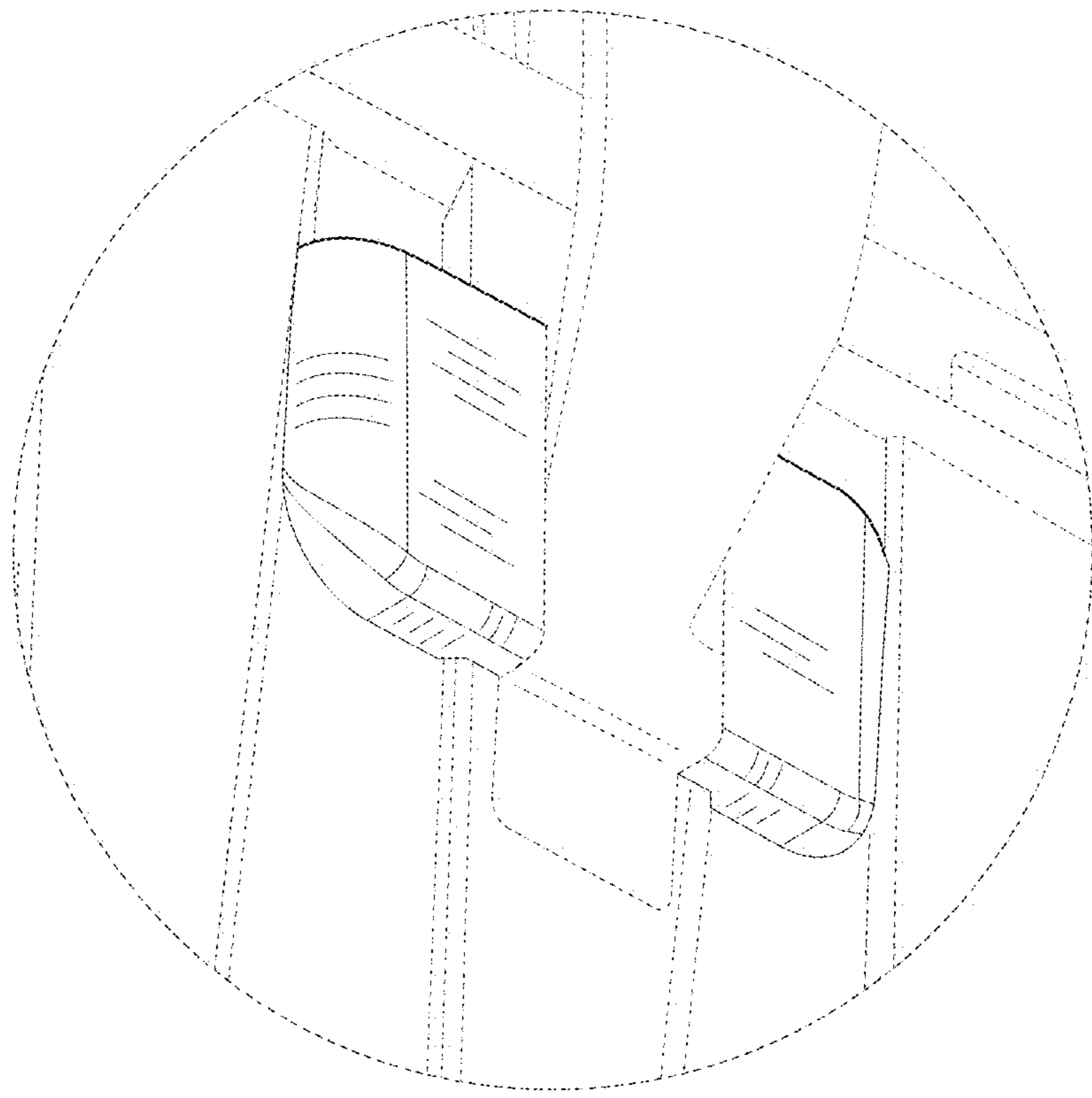


FIG. 10

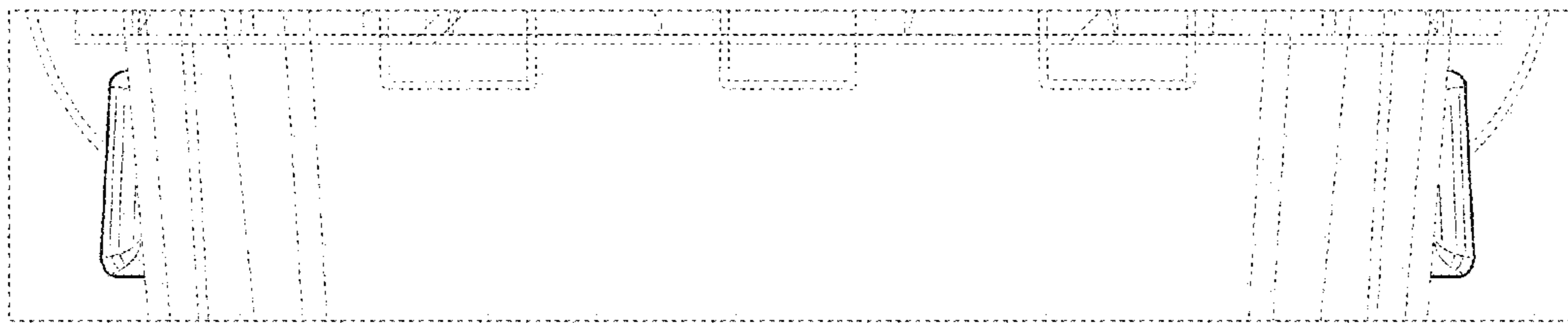


FIG. 11

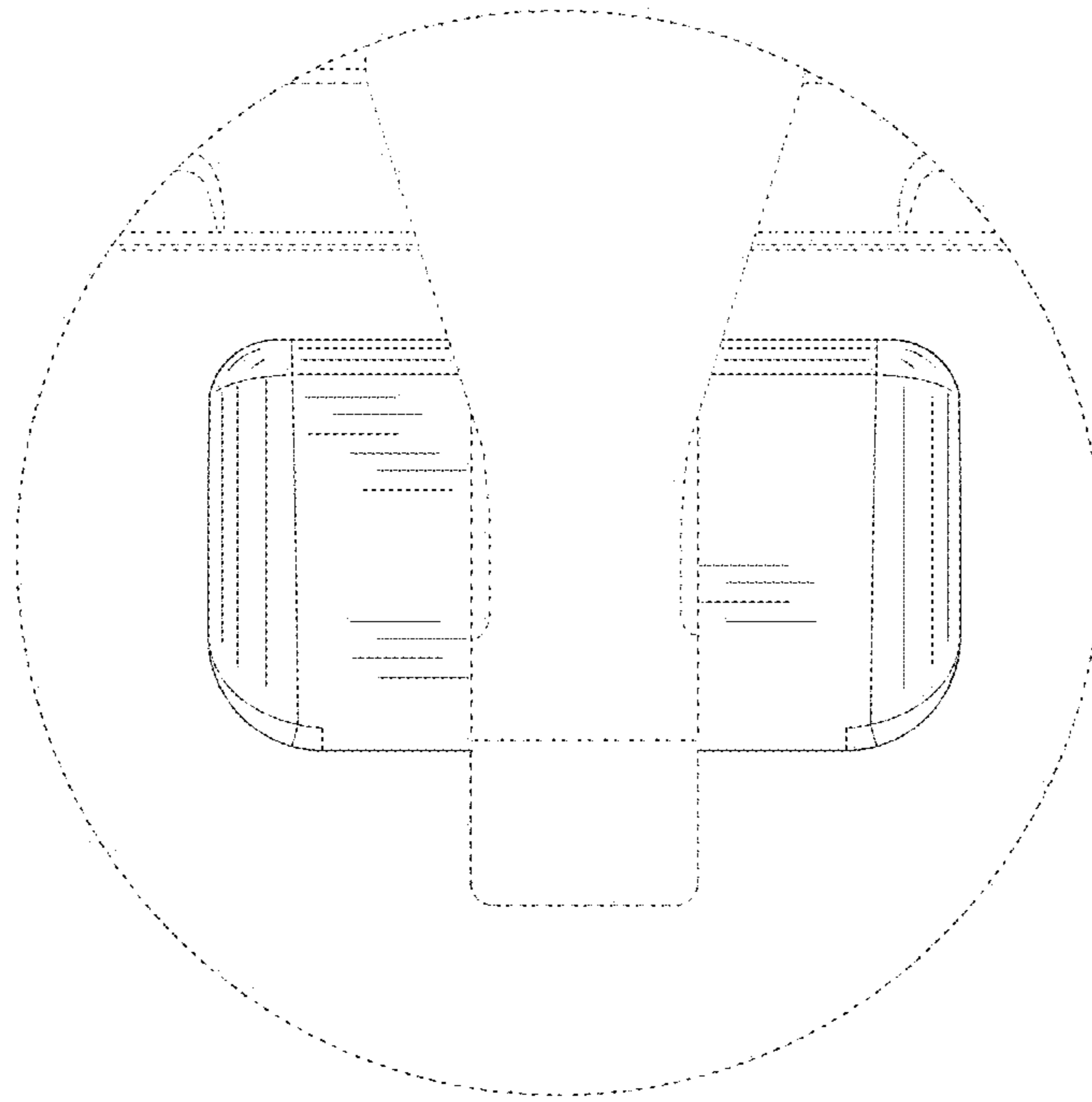


FIG. 12

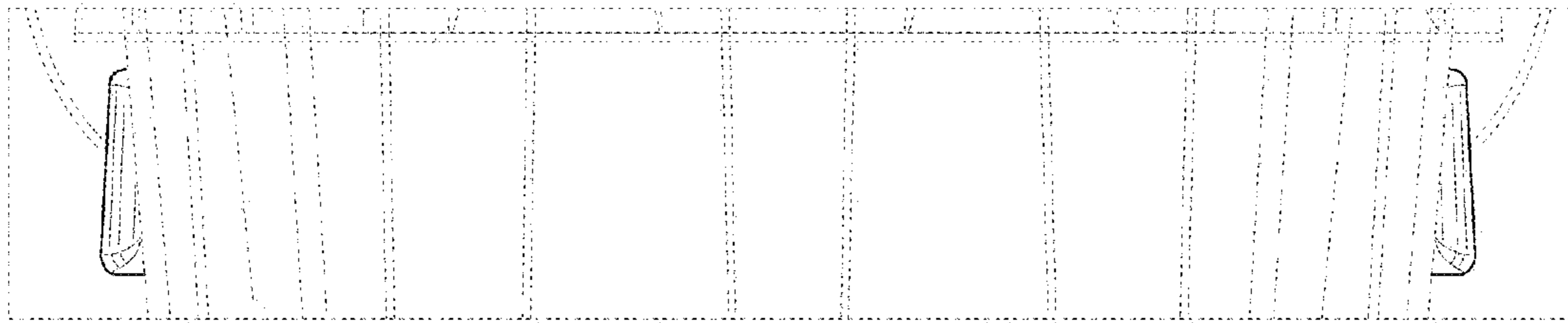


FIG. 13

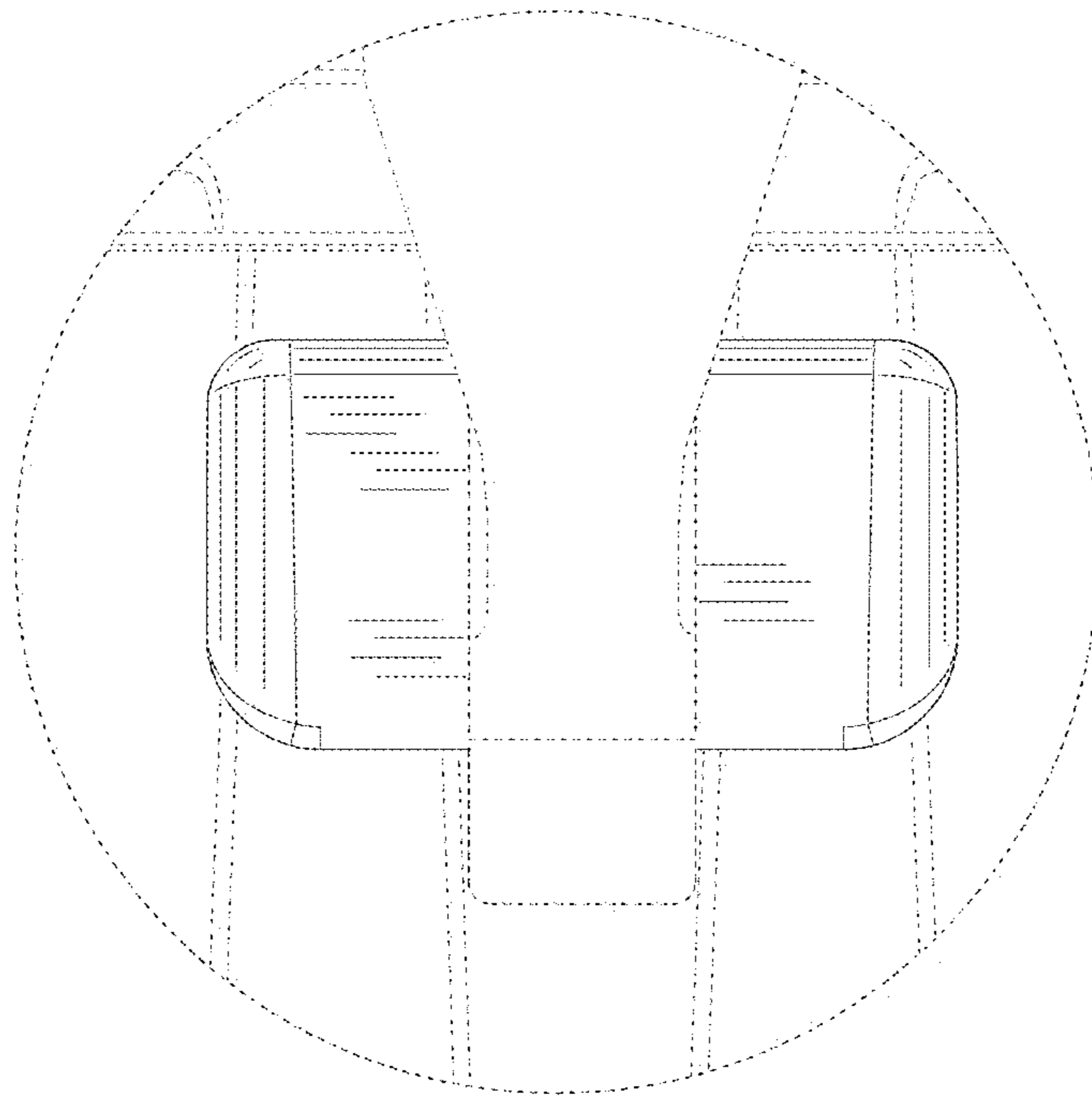


FIG. 14



FIG. 15

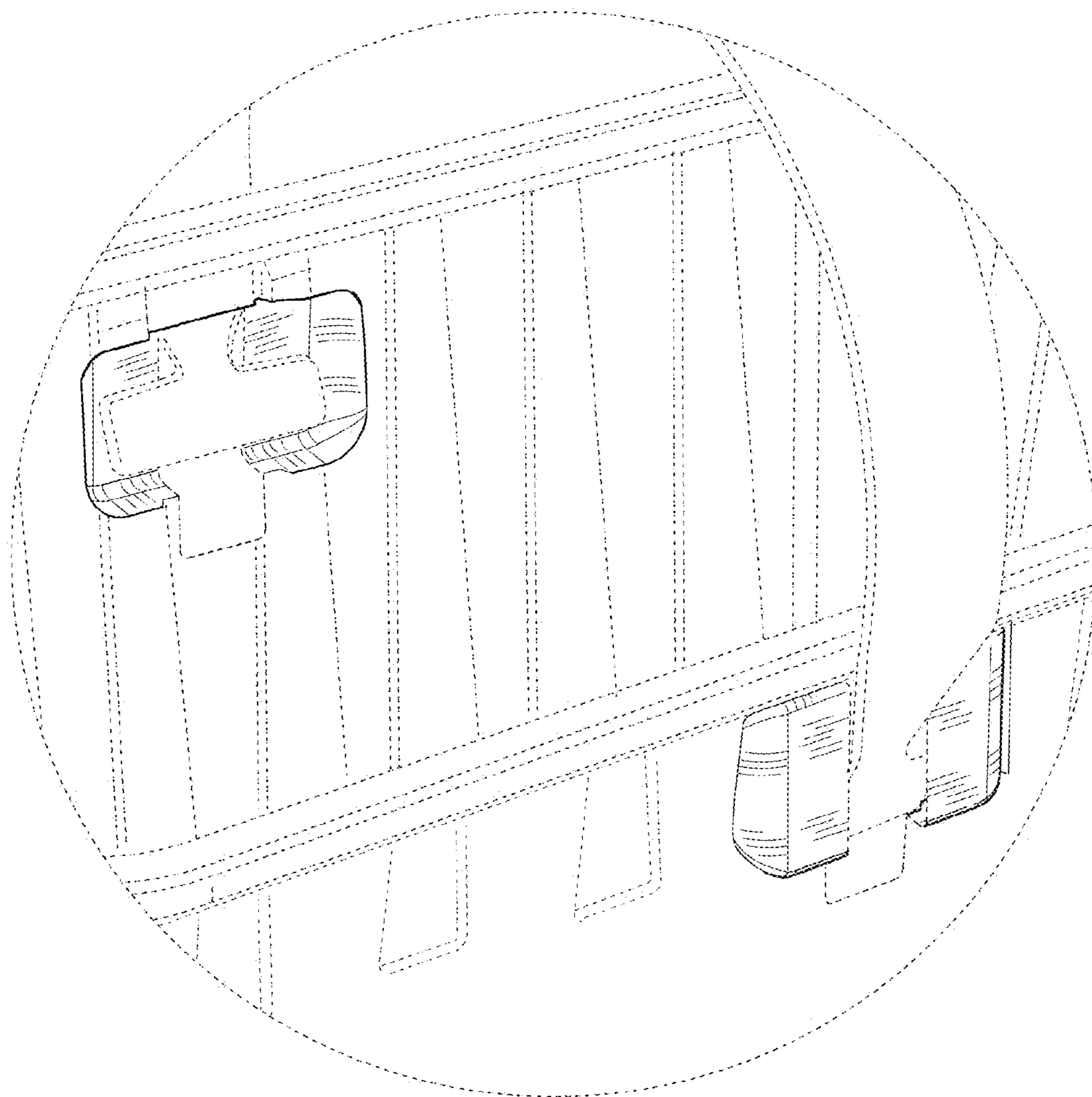


FIG. 16

UNITED STATES PATENT AND TRADEMARK OFFICE
CERTIFICATE OF CORRECTION

PATENT NO. : D718,619 S
APPLICATION NO. : 29/414165
DATED : December 2, 2014
INVENTOR(S) : Philip R. Short et al.

Page 1 of 2

It is certified that error appears in the above-identified patent and that said Letters Patent is hereby corrected as shown below:

On the Title page

The claim now reads:

The ornamental design for a handle receptacles for container.

The claim should read:

The ornamental design for handle receptacles for a container.

The drawings' description now reads:

FIG. 1 is a top front perspective view of a handle receptacles for container according to our new design.

FIG. 2 is a rear bottom perspective view of a handle receptacles for container.

FIG. 3 is a front view of a handle receptacles for container.

FIG. 4 is a first side view of a handle receptacles for container.

FIG. 5 is a rear view of a handle receptacles for container.

FIG. 6 is a second side view of a handle receptacles for container.

FIG. 7 is a bottom view of a handle receptacles for container.

FIG. 8 is an exploded top perspective view of a handle receptacles for container.

FIG. 9 is an enlarged view of a portion of FIG. 1.

FIG. 10 is an enlarged view of a portion of FIG. 2.

FIG. 11 is an enlarged view of a portion of FIG. 3.

FIG. 12 is an enlarged view of a portion of FIG. 4.

FIG. 13 is an enlarged view of a portion of FIG. 5.

FIG. 14 is an enlarged view of a portion of FIG. 6.

FIG. 15 is an enlarged view of a portion of FIG. 7; and,

FIG. 16 is an enlarged view of a portion of FIG. 8.

Signed and Sealed this
Eleventh Day of August, 2015



Michelle K. Lee
Director of the United States Patent and Trademark Office

The drawings' description should read:

FIG. 1 is a top front perspective view of handle receptacles for a container according to our new design.

FIG. 2 is a rear bottom perspective view of handle receptacles for a container.

FIG. 3 is a front view of handle receptacles for a container.

FIG. 4 is a first side view of handle receptacles for a container.

FIG. 5 is a rear view of handle receptacles for a container.

FIG. 6 is a second side view of handle receptacles for a container.

FIG. 7 is a bottom view of handle receptacles for a container.

FIG. 8 is an exploded top perspective view of handle receptacles for a container.

FIG. 9 is an enlarged view of a portion of FIG. 1.

FIG. 10 is an enlarged view of a portion of FIG. 2.

FIG. 11 is an enlarged view of a portion of FIG. 3.

FIG. 12 is an enlarged view of a portion of FIG. 4.

FIG. 13 is an enlarged view of a portion of FIG. 5.

FIG. 14 is an enlarged view of a portion of FIG. 6.

FIG. 15 is an enlarged view of a portion of FIG. 7.

FIG. 16 is an enlarged view of a portion of FIG. 8.