



US00D718617S

(12) **United States Design Patent**  
**Taylor**

(10) **Patent No.:** **US D718,617 S**

(45) **Date of Patent:** **\*\* Dec. 2, 2014**

(54) **CONFECTION CONTAINER**

(71) Applicant: **Sweet Concepts Limited**, London (GB)

(72) Inventor: **Stephen Robert Taylor**, London (GB)

(73) Assignee: **Sweet Concepts Limited** (GB)

(\*\*) Term: **14 Years**

(21) Appl. No.: **29/462,187**

(22) Filed: **Jul. 31, 2013**

(30) **Foreign Application Priority Data**

Feb. 2, 2013 (EP) ..... 002177501-0002

(51) **LOC (10) Cl.** ..... **09-03**

(52) **U.S. Cl.**

USPC ..... **D9/432; D9/422**

(58) **Field of Classification Search**

CPC ..... B29L 2031/7162; B29L 2031/7164;  
B29L 2031/7166; B65D 1/22; B65D 1/34;  
B65D 43/162; B65D 81/02; B65D 81/3813;  
B65D 5/00; B65D 5/001; B65D 5/0025;  
B65D 5/005; B65D 5/067-5/069; B65D 5/64;  
B65D 5/72; B65D 21/00

USPC ..... D9/415-419, 420-425, 428, 429-435,  
D9/708, 719, 734; D3/203.2, 272, 273,  
D3/294, 302-304; D7/538-542, 601, 602,  
D7/629; 220/780-806, 574-575;  
206/521.1, 541, 564; 229/100-101.3,  
229/106, 108-112, 124, 125, 162.1, 165,  
229/172, 182.1, 183, 185, 200, 210, 221,  
229/406, 407

See application file for complete search history.

(56) **References Cited**

U.S. PATENT DOCUMENTS

2,293,187 A *	8/1942	Becker .....	206/389
D437,779 S *	2/2001	Randall et al. ....	D9/418
D446,717 S *	8/2001	Lancaster et al. ....	D9/418
D463,979 S *	10/2002	Rustioni .....	D9/422
D505,546 S *	5/2005	Lau .....	D3/273
D578,884 S *	10/2008	Rozanski .....	D9/432
D611,770 S *	3/2010	Cummins .....	D7/591
D682,681 S *	5/2013	Oxer .....	D9/432
D690,586 S *	10/2013	Taylor .....	D9/421

\* cited by examiner

*Primary Examiner* — Susan Bennett Hattan

*Assistant Examiner* — Vy Koenig

(74) *Attorney, Agent, or Firm* — Mayback & Hoffman, P.A.;  
Gregory L. Mayback

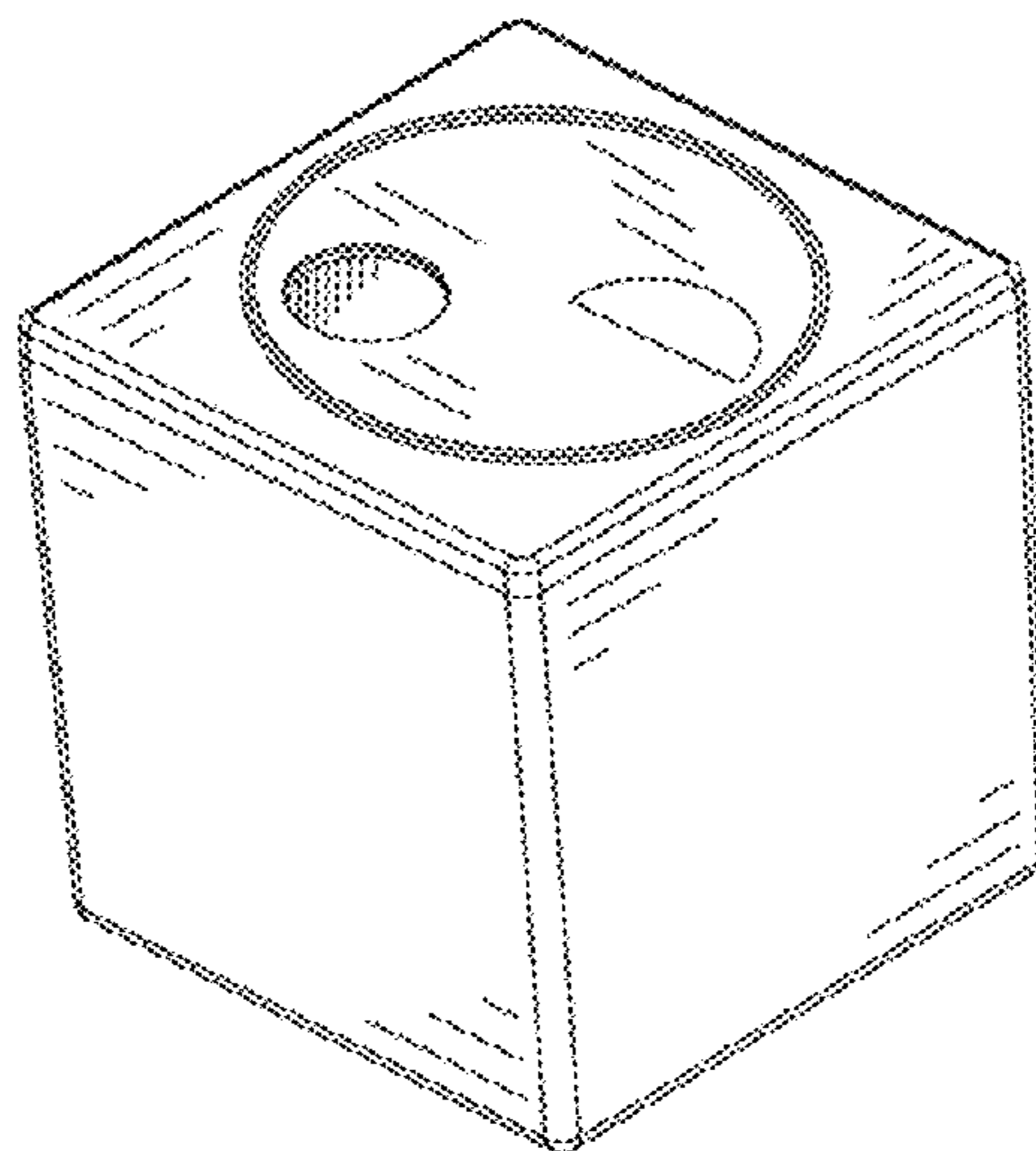
(57) **CLAIM**

The ornamental design for a confection container, as shown and described.

**DESCRIPTION**

FIG. 1 is a perspective view of a confection container according to the present invention with a lid in a closed position; FIG. 2 is a perspective view of the confection container of FIG. 1 with the lid rotated approximately 90 degrees in an open position; FIG. 3 is a perspective view of the confection container of FIG. 1 rotated approximately 180 degrees; FIG. 4 is a perspective view of the confection container of FIG. 3 with the lid rotated approximately 90 degrees in an open position; FIG. 5 is a perspective view of the confection container of FIG. 3 rotated approximately 90 degrees counterclockwise and with the lid rotated approximately 90 degrees counterclockwise in a closed position; and, FIG. 6 is a bottom perspective view of the confection container of FIG. 1.

**1 Claim, 2 Drawing Sheets**



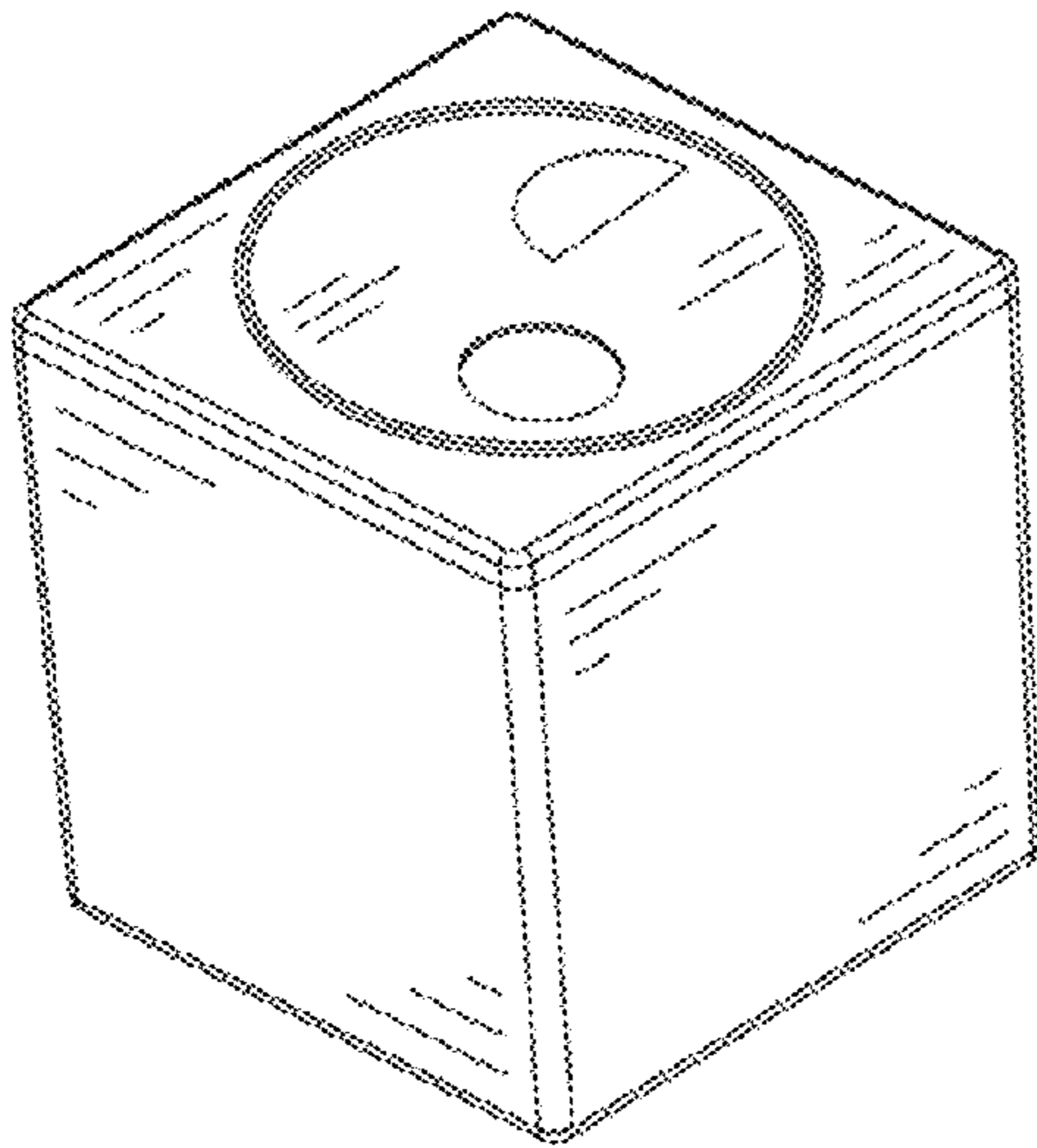


FIG. 1

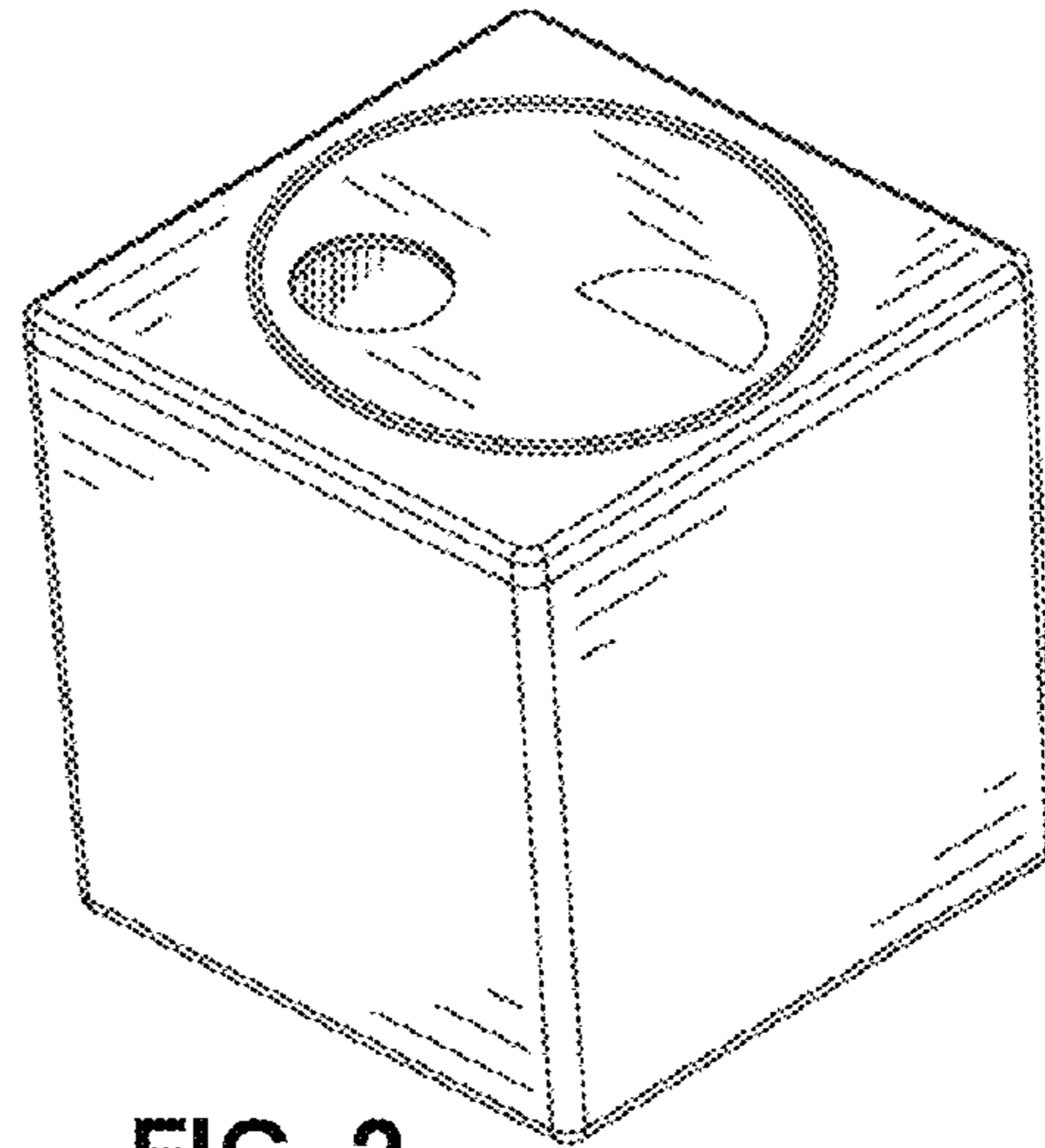


FIG. 2

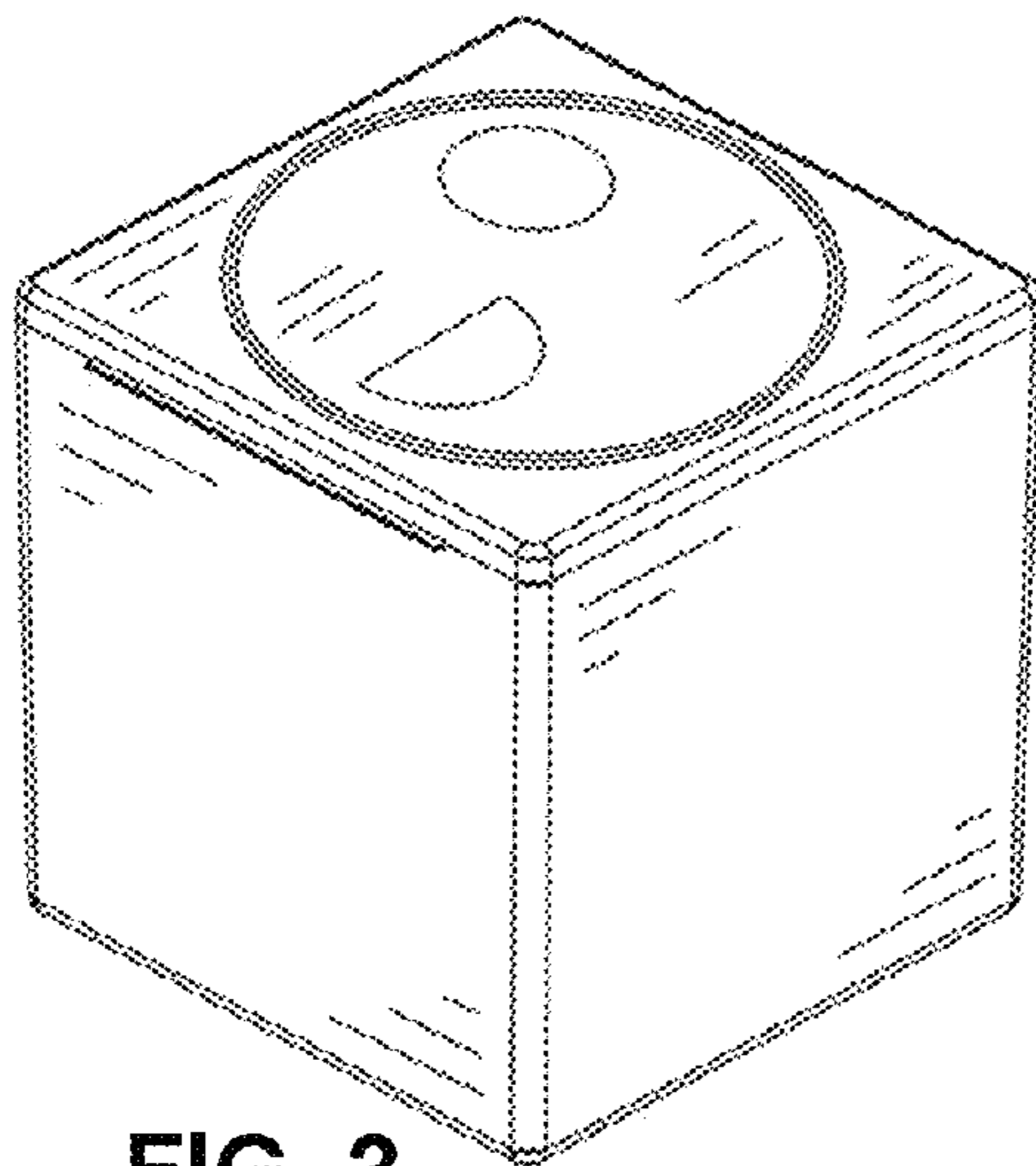


FIG. 3

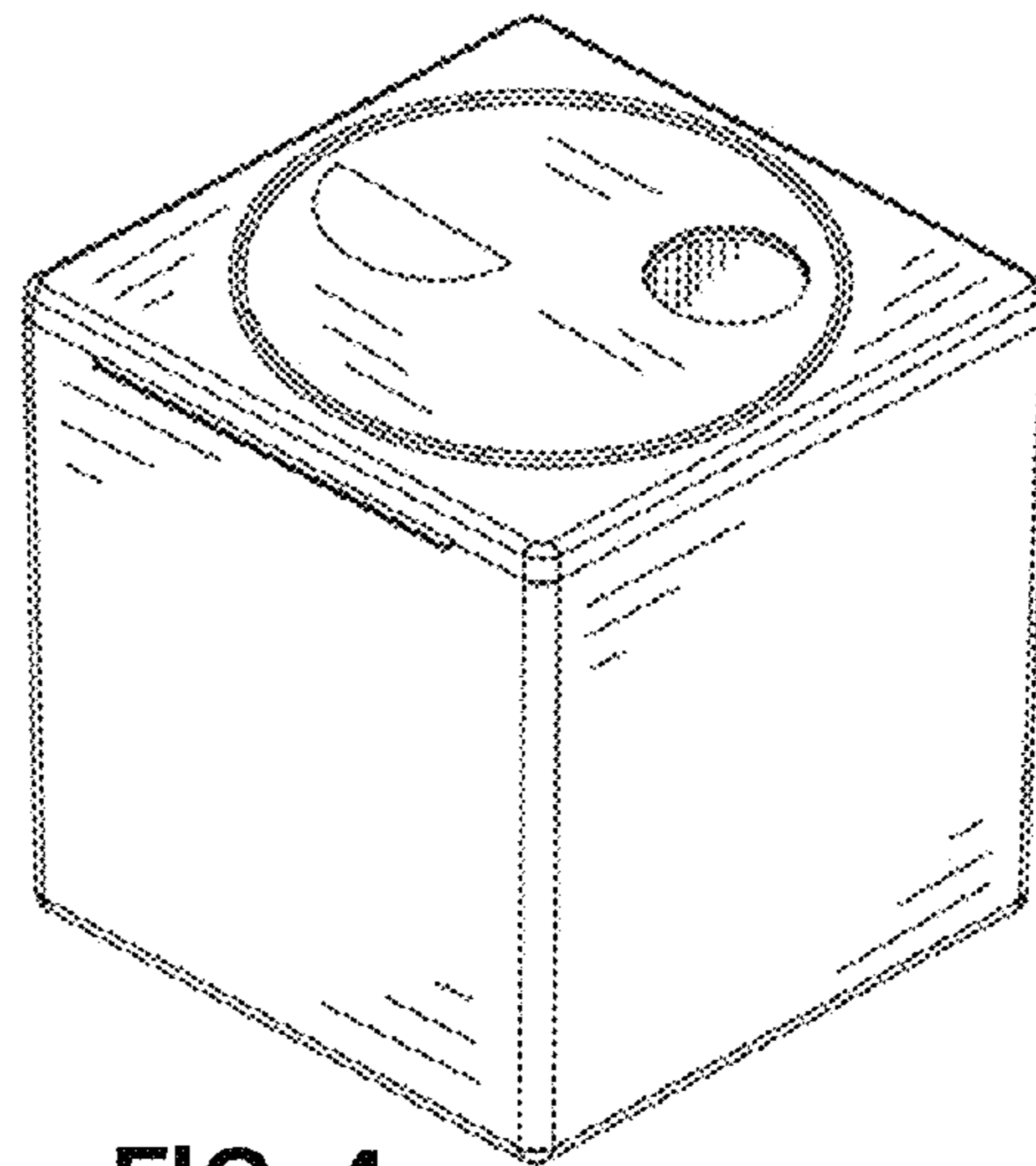


FIG. 4

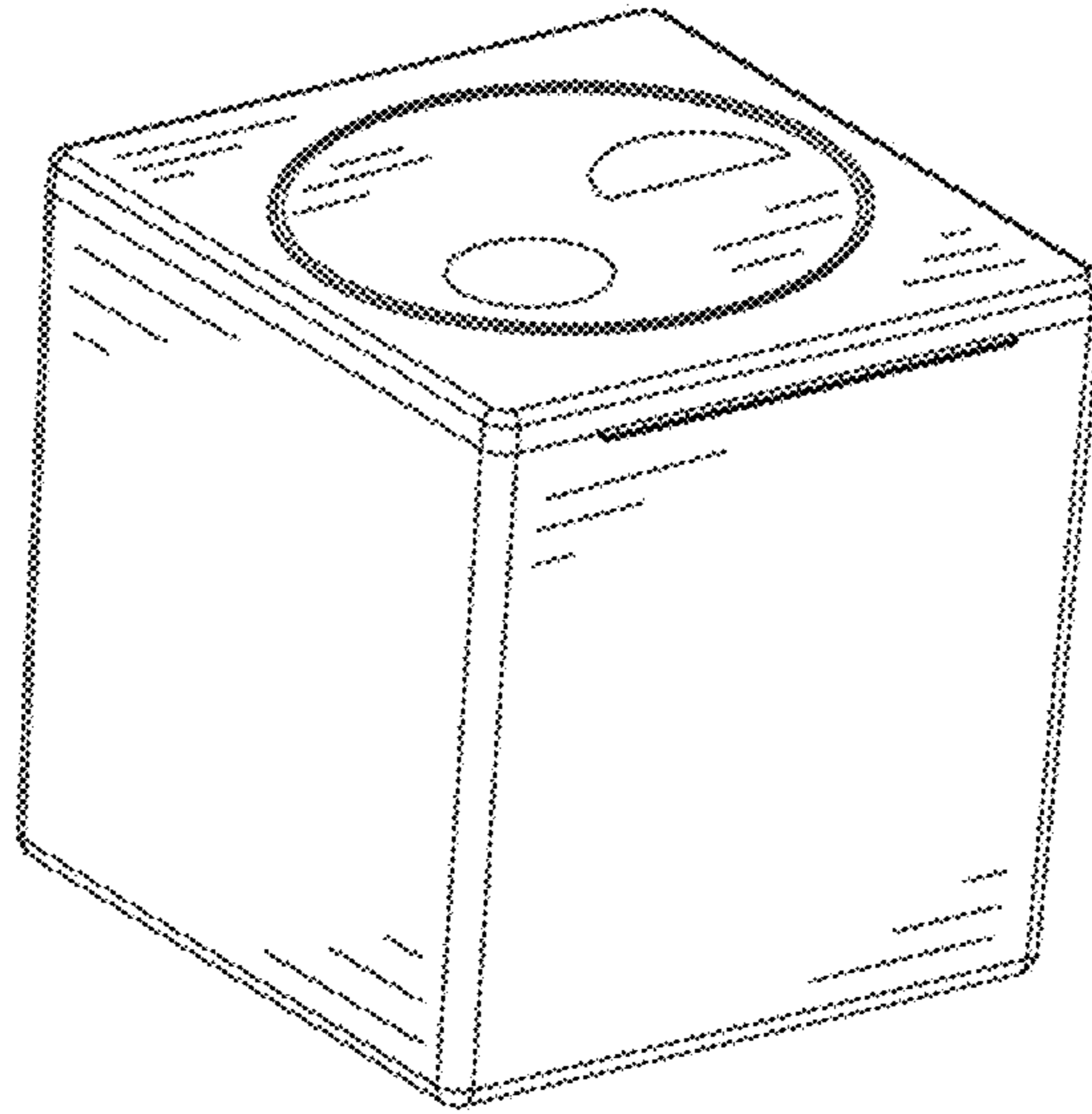


FIG. 5

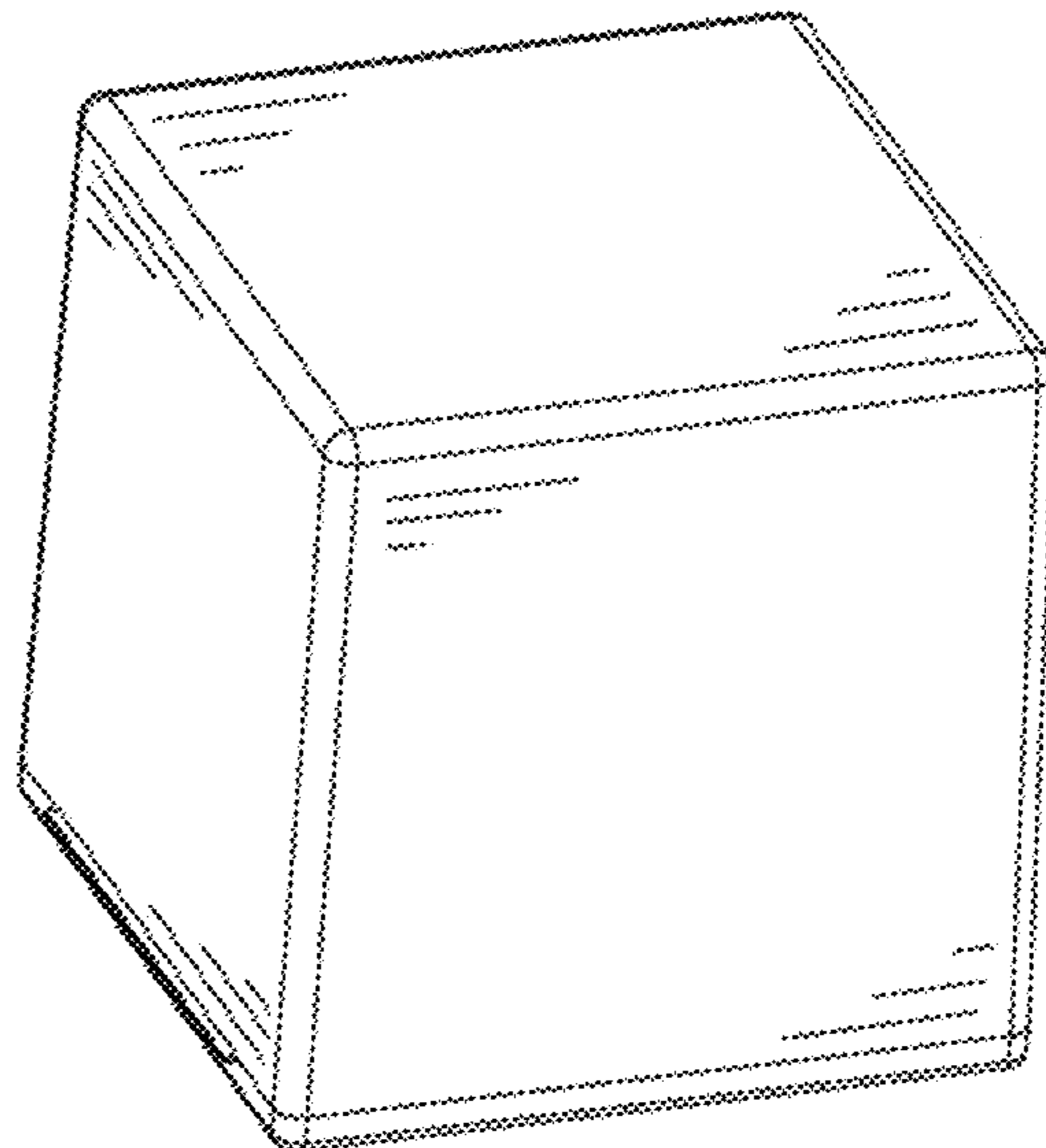


FIG. 6