



US00D718614S

(12) **United States Design Patent**
Henry et al.

(10) **Patent No.:** **US D718,614 S**
(45) **Date of Patent:** **** Dec. 2, 2014**

(54) **CLIP**

(71) Applicant: **Robinson Home Products Inc.,**
Williamsville, NY (US)

(72) Inventors: **Lou Henry, Scarsdale, NY (US); John**
Healy, Brooklyn, NY (US)

(73) Assignee: **Robinson Home Products Inc.,**
Williamsville, NY (US)

(**) Term: **14 Years**

(21) Appl. No.: **29/482,874**

(22) Filed: **Feb. 22, 2014**

(51) **LOC (10) Cl.** **08-08**

(52) **U.S. Cl.**
USPC **D8/395**

(58) **Field of Classification Search**
USPC D8/394–396, 53; D19/86; 24/67.3;
D32/60–64; D28/40
See application file for complete search history.

(56) **References Cited**

U.S. PATENT DOCUMENTS

D137,693 S *	4/1944	Reinecke	D21/592
D315,735 S *	3/1991	Chu	D14/189
D477,988 S *	8/2003	Adams et al.	D8/395
D500,083 S *	12/2004	Chen et al.	D19/65
D512,906 S *	12/2005	Wood	D8/395
D551,448 S *	9/2007	Stull	D3/264
D576,357 S *	9/2008	Rutherford et al.	D30/160

D577,393 S *	9/2008	Nada et al.	D21/503
D598,279 S *	8/2009	Seehoff et al.	D8/395
7,850,506 B2 *	12/2010	Nelson et al.	446/220
D658,372 S *	5/2012	Van der Lande	D3/264
D665,246 S *	8/2012	Laguelle	D8/395
D667,724 S *	9/2012	Mangano	D8/395
D671,822 S *	12/2012	van der Lande	D8/395
D671,825 S *	12/2012	van der Lande	D8/395
D700,507 S *	3/2014	Tavasi	D8/395
D705,646 S *	5/2014	Finn	D8/395
D711,645 S *	8/2014	van der Lande	D3/264

* cited by examiner

Primary Examiner — John Windmuller

(74) *Attorney, Agent, or Firm* — Florek & Endres PLLC

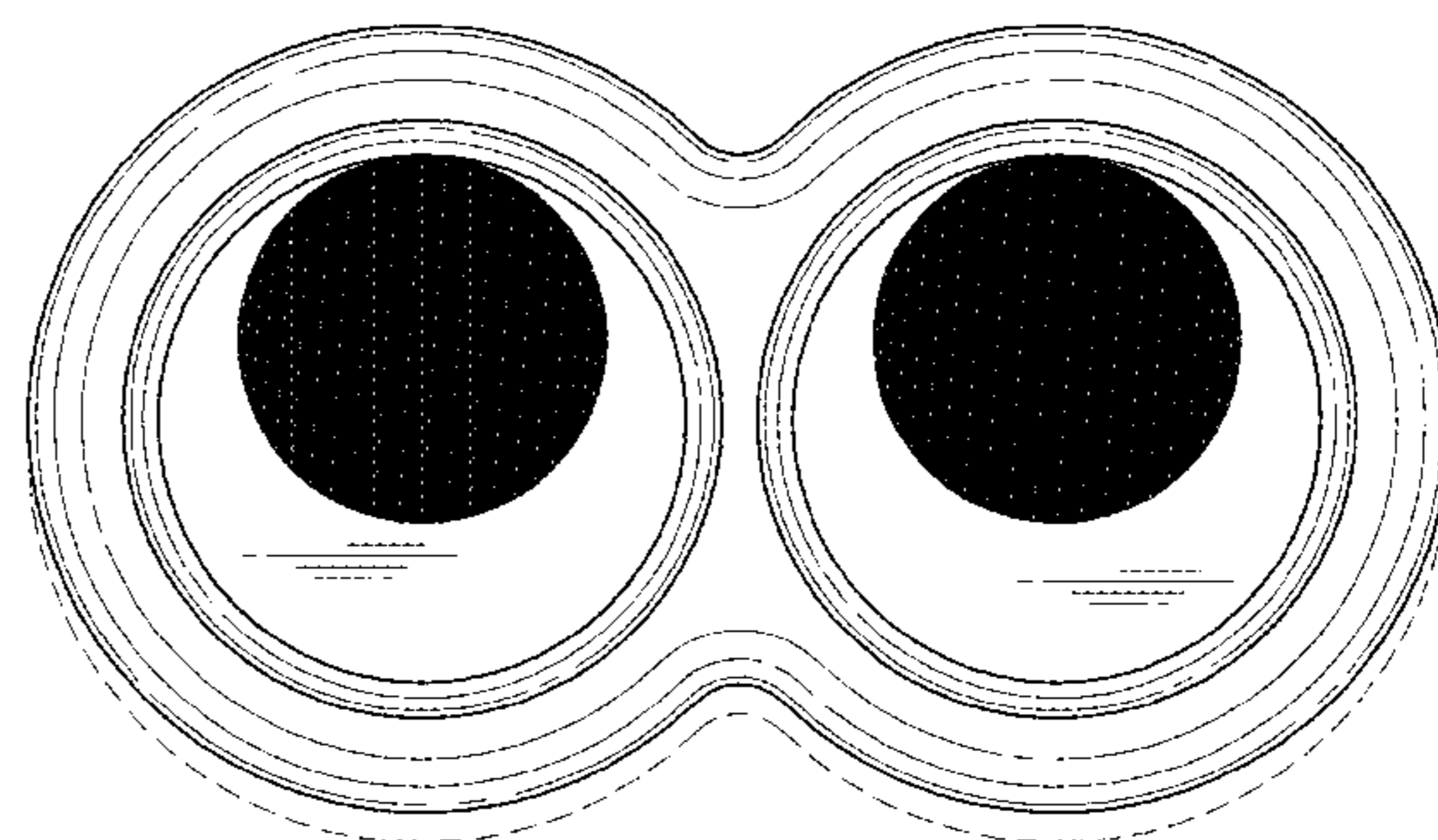
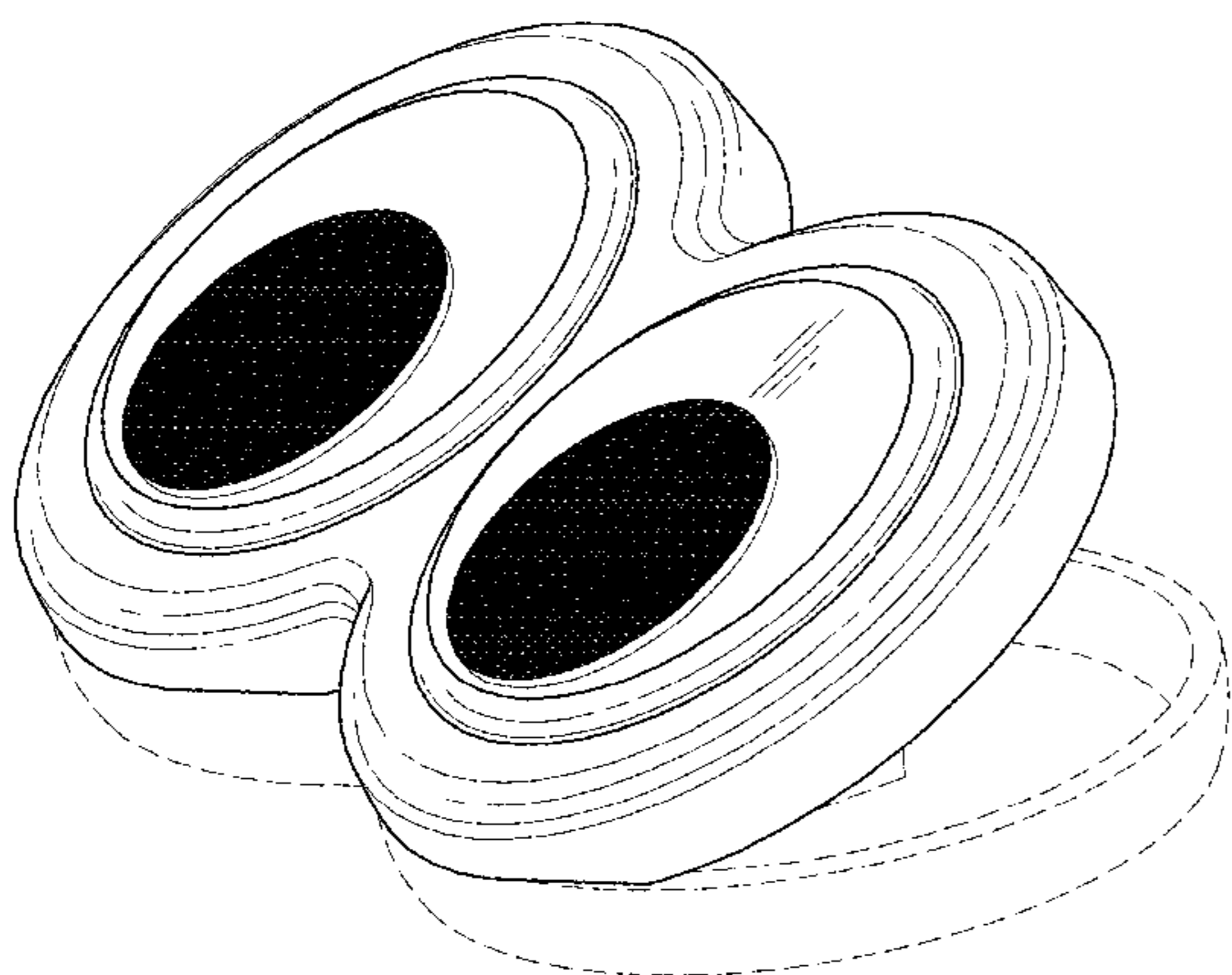
(57) **CLAIM**

The ornamental design for a clip, as shown and described.

DESCRIPTION

FIG. 1 is a perspective view of the clip of the invention.
FIG. 2 is a top plan view of the clip of the invention.
FIG. 3 is a bottom plan view of the clip of the invention.
FIG. 4 is a right side elevation view of the clip of the invention.
FIG. 5 is a left side elevation view of the clip of the invention.
FIG. 6 is a front elevation view of the clip of the invention;
and,
FIG. 7 is a back elevation view of the clip of the invention.
The broken lines in the drawings represent unclaimed features.

1 Claim, 6 Drawing Sheets



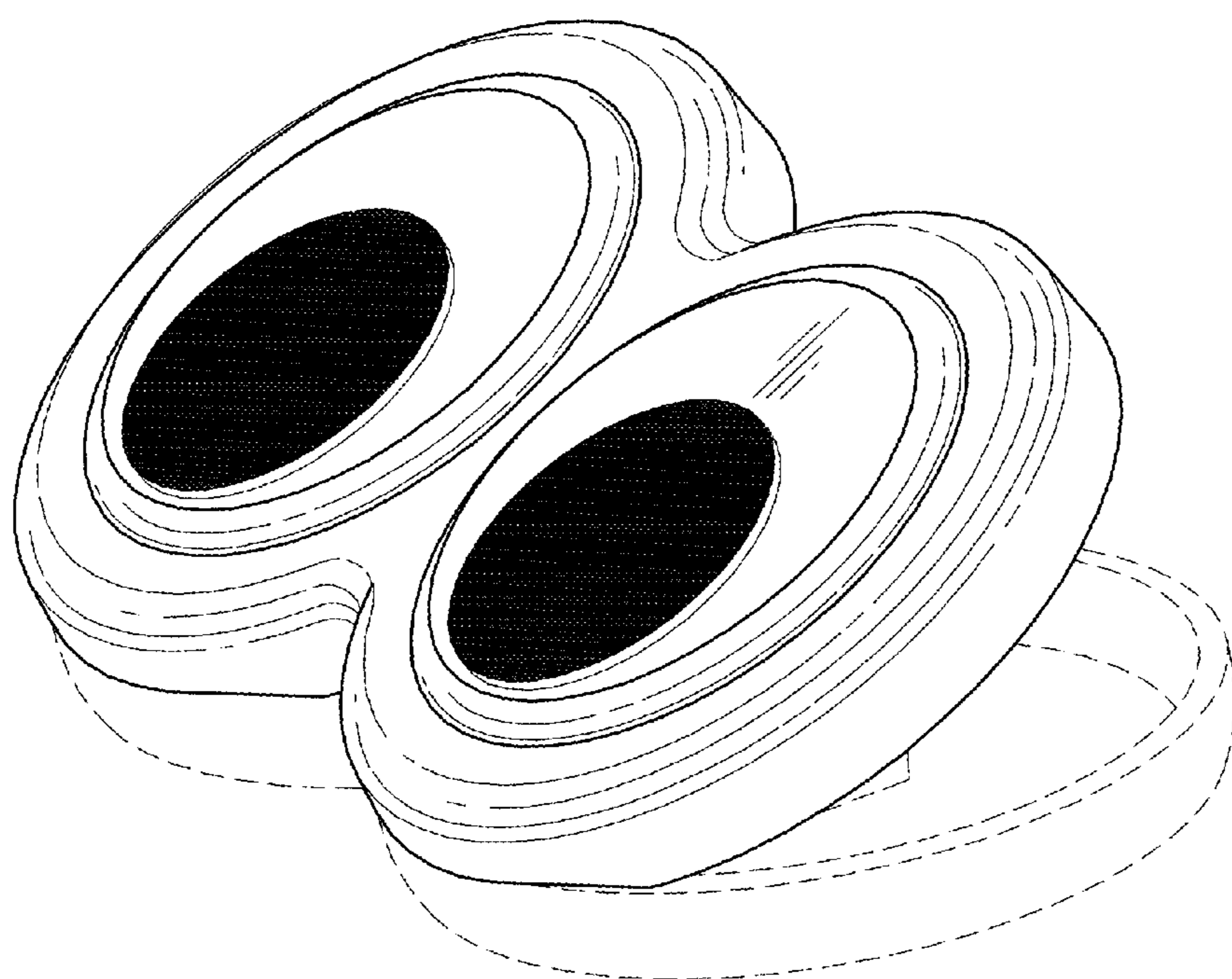


FIG. 1

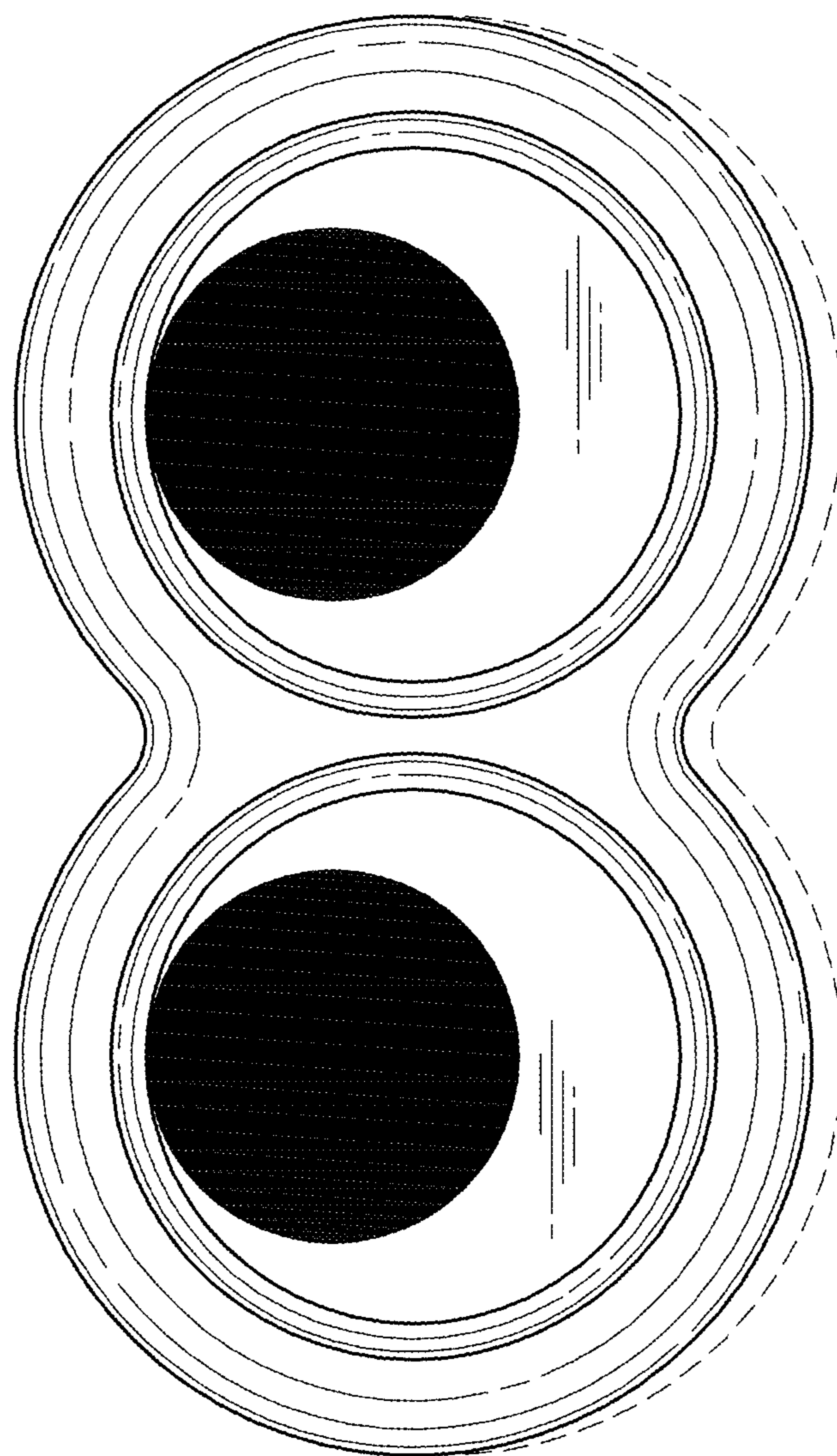


FIG. 2

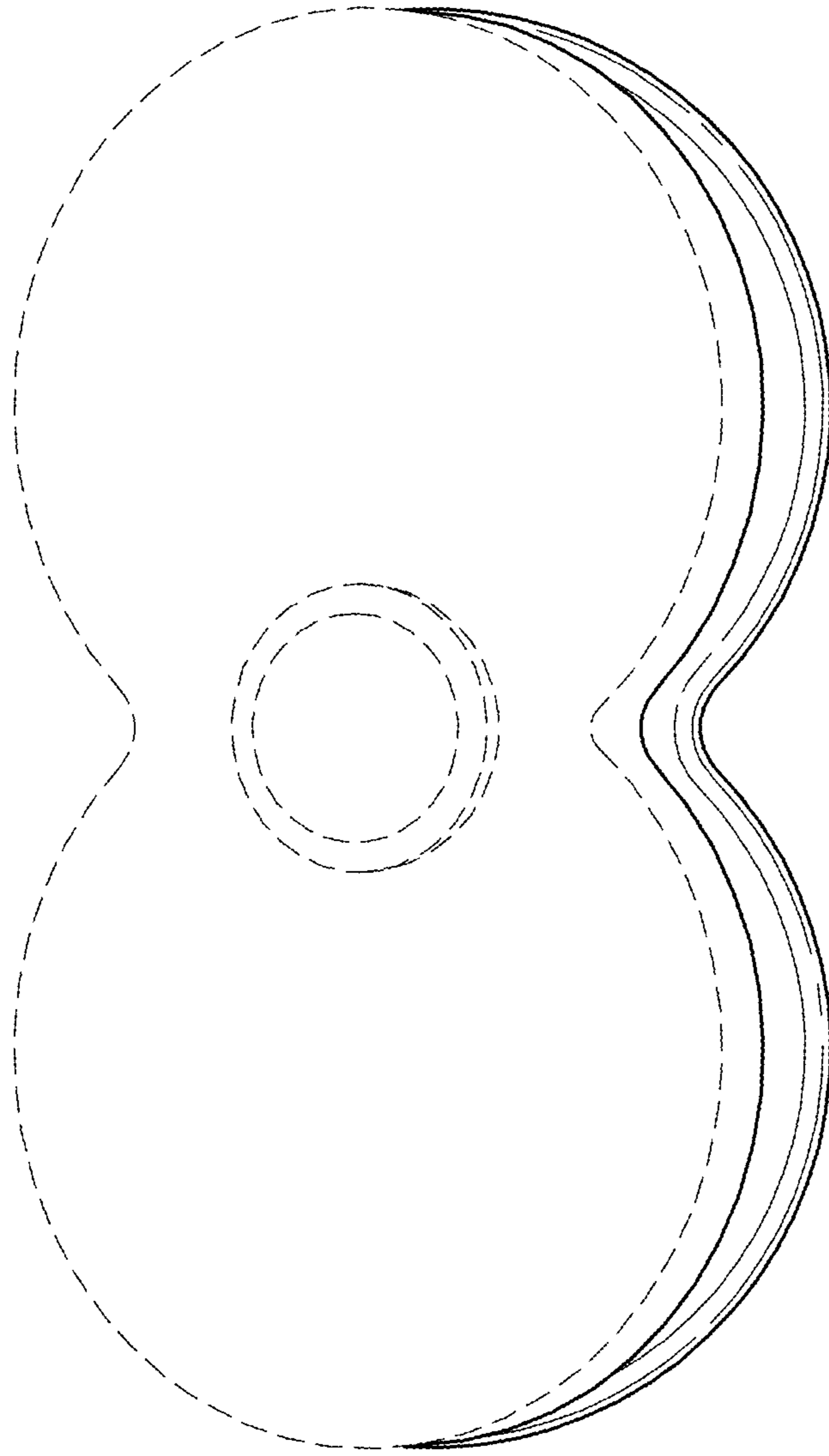


FIG. 3

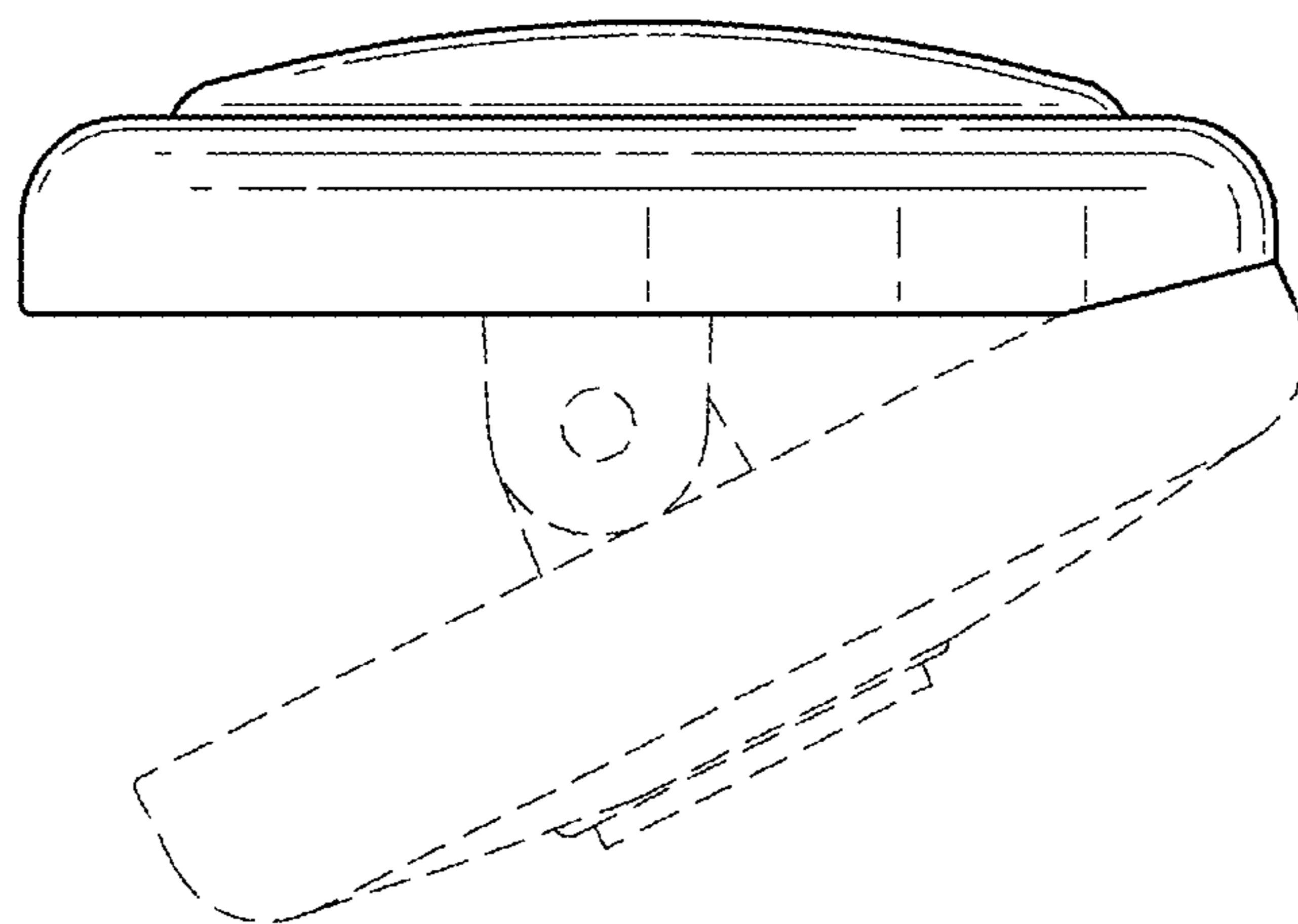


FIG. 4

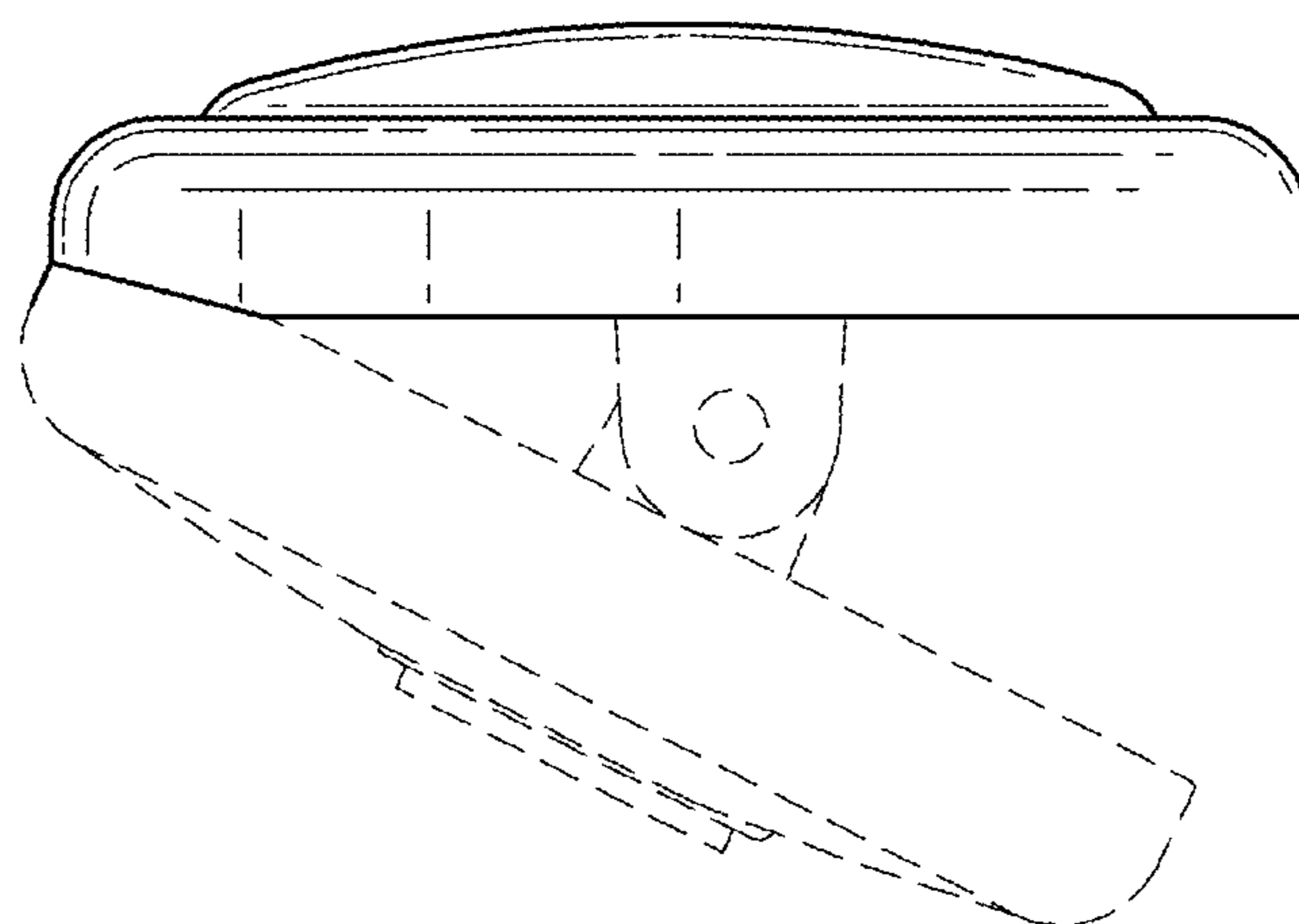


FIG. 5

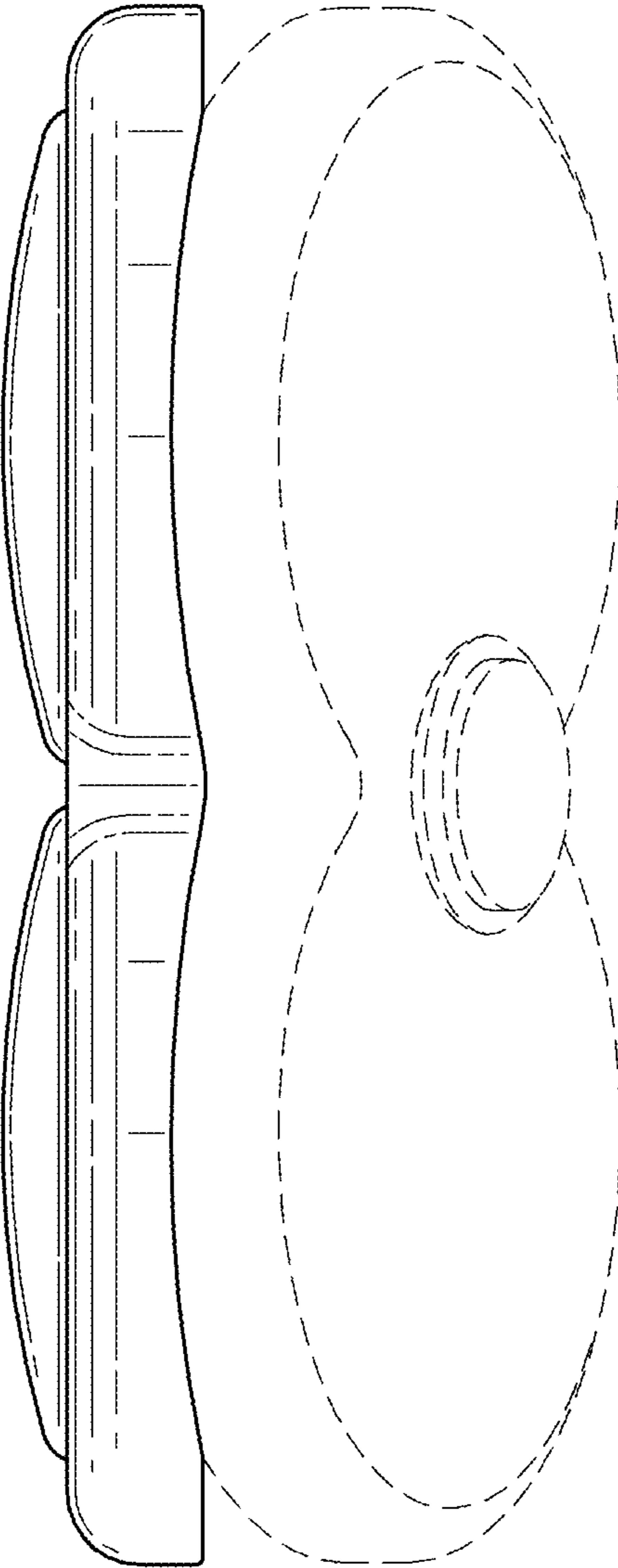


FIG. 6

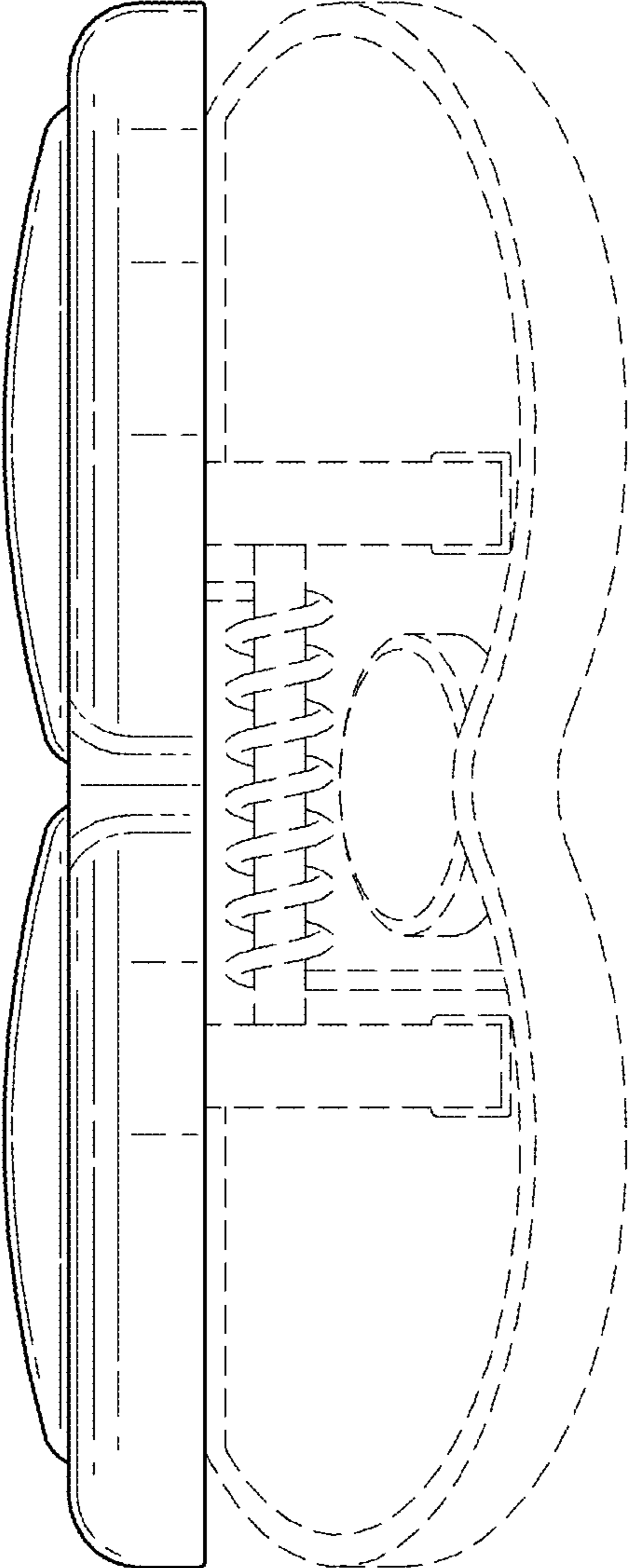


FIG. 7