



US00D718613S

(12) **United States Design Patent**  
**Petzl**

(10) **Patent No.:** **US D718,613 S**

(45) **Date of Patent:** **\*\* Dec. 2, 2014**

(54) **ICE SCREW**

6,607,340 B2 \* 8/2003 Petzl et al. .... 411/400  
7,347,403 B2 \* 3/2008 Belcourt et al. .... 248/231.9  
7,942,082 B1 \* 5/2011 Jones ..... 81/177.8

(71) Applicant: **Zedel**, Crolles (FR)

(72) Inventor: **Paul Petzl**, Barraux (FR)

(73) Assignee: **Zedel**, Crolles (FR)

(\*\*) Term: **14 Years**

(21) Appl. No.: **29/451,888**

(22) Filed: **Apr. 10, 2013**

(30) **Foreign Application Priority Data**

Oct. 15, 2012 (EP) ..... 002118653-0001

(51) **LOC (10) Cl.** ..... **08-05**

(52) **U.S. Cl.**  
USPC ..... **D8/387**

(58) **Field of Classification Search**

USPC ..... D8/14, 382, 387; 248/231.9, 231.91;  
411/400, 409, 402, 411; 7/145

See application file for complete search history.

(56) **References Cited**

**U.S. PATENT DOCUMENTS**

5,118,061 A \* 6/1992 Byrne et al. .... 248/231.9  
5,782,442 A \* 7/1998 Kwak et al. .... 248/231.9  
6,068,226 A \* 5/2000 Anders ..... 248/231.91  
6,505,799 B1 \* 1/2003 Bercaw et al. .... 248/231.9

**OTHER PUBLICATIONS**

Black Diamond Equipment website, Express Ice Screws.\*

\* cited by examiner

*Primary Examiner* — Phillip S Hyder

(74) *Attorney, Agent, or Firm* — Oliff PLC

(57) **CLAIM**

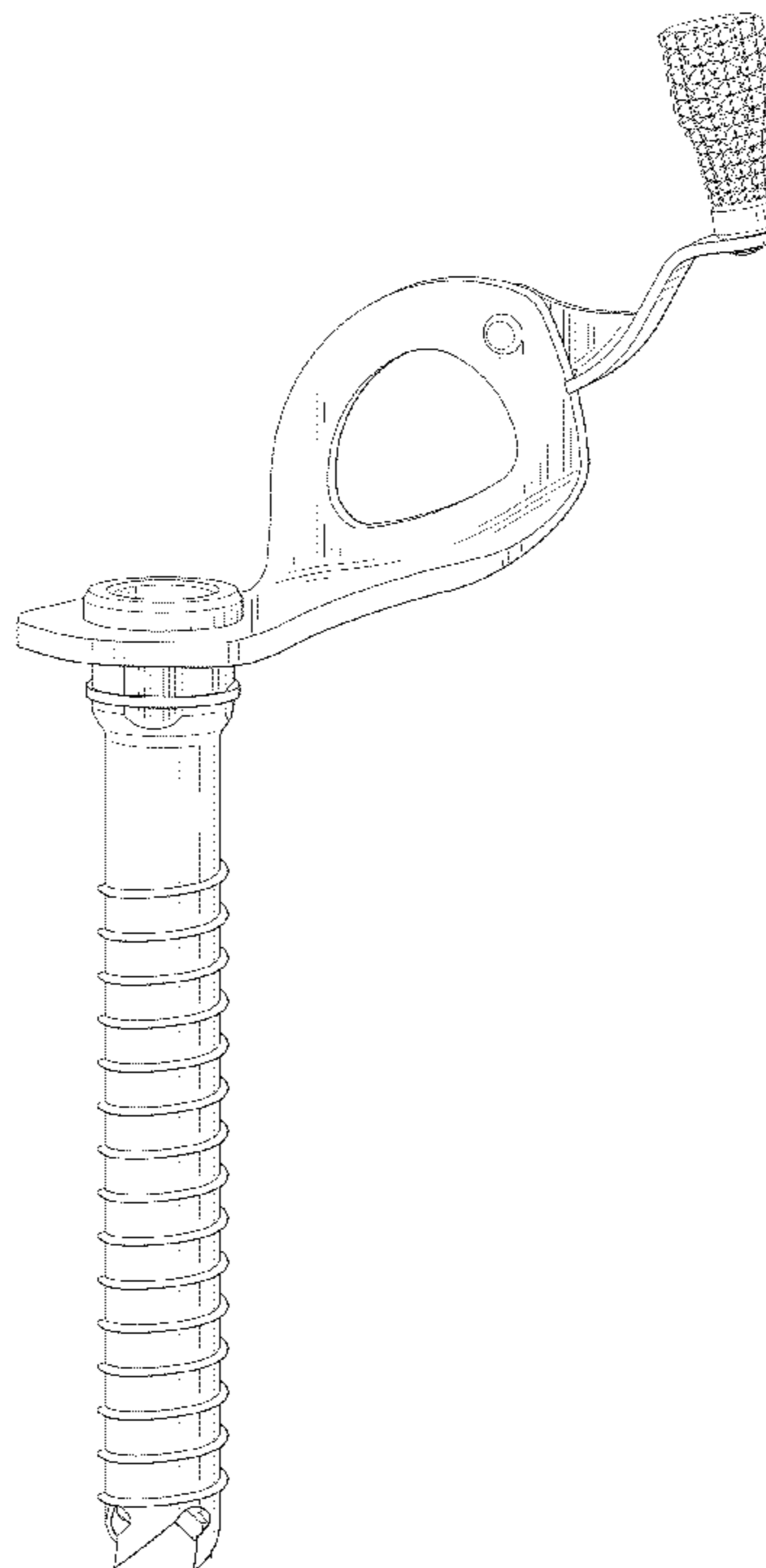
The ornamental design for an ice screw, as shown and described.

**DESCRIPTION**

FIG. 1 is a perspective view of an ice screw;  
FIG. 2 is a front view thereof;  
FIG. 3 is a top view thereof;  
FIG. 4 is a right-side view thereof;  
FIG. 5 is a left-side view thereof;  
FIG. 6 is bottom view thereof;  
FIG. 7 is a rear view thereof;  
FIG. 8 is a perspective view of the ice screw of FIG. 1, in which the arm portion is shown in the folded position;  
FIG. 9 is a front view thereof;  
FIG. 10 is a top view thereof;  
FIG. 11 is a right-side view thereof;  
FIG. 12 is a left-side view thereof;  
FIG. 13 is a bottom view thereof; and,  
FIG. 14 is a rear view thereof.

The broken lines depict portions of the ice screw in which the design is embodied that are not considered part of the claimed design.

**1 Claim, 8 Drawing Sheets**



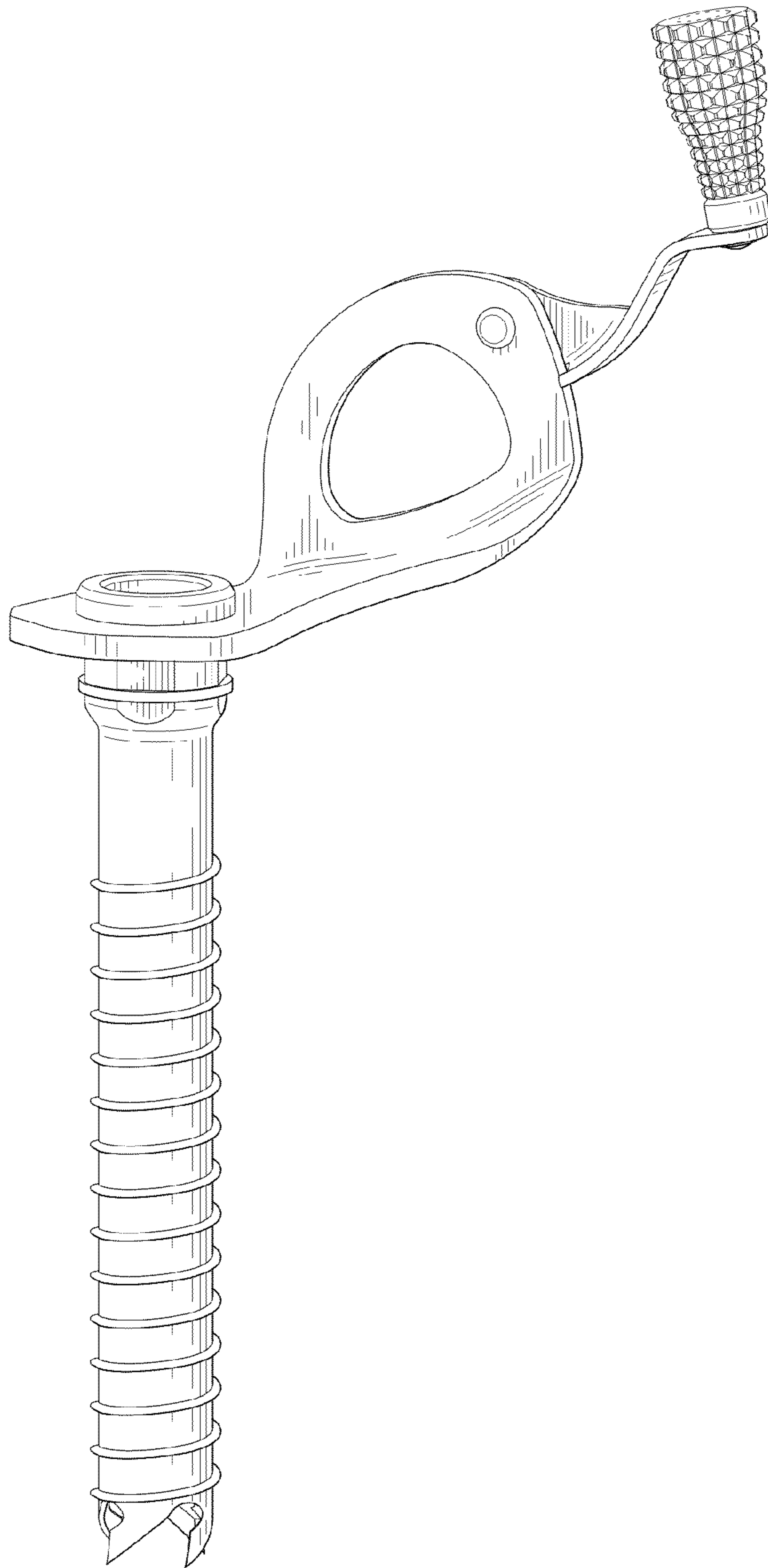


FIG. 1

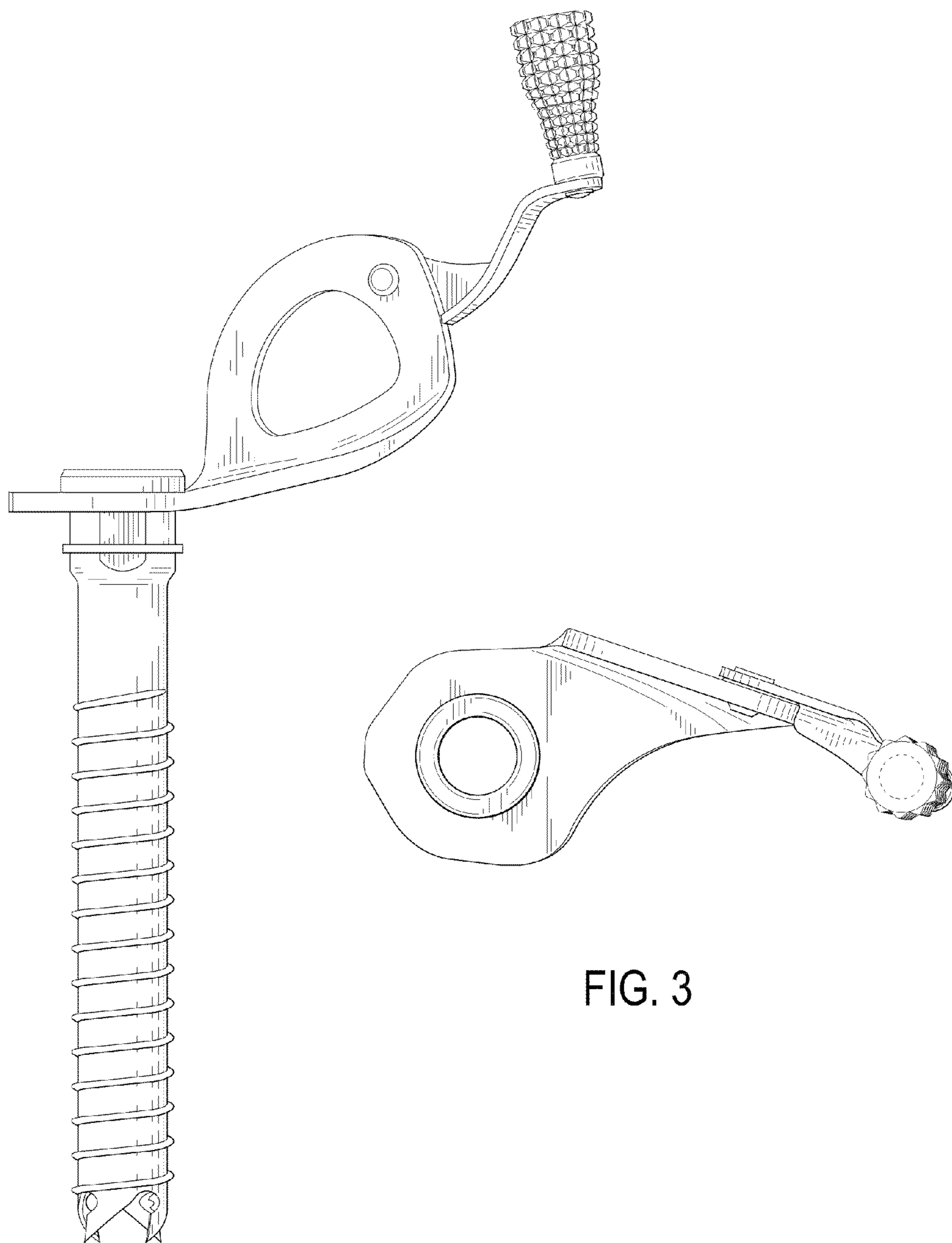


FIG. 2

FIG. 3

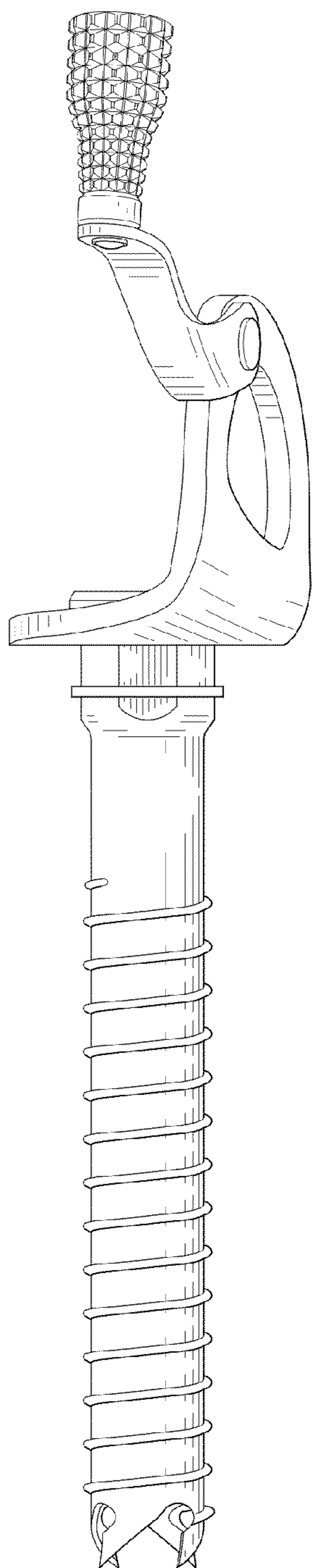


FIG. 4

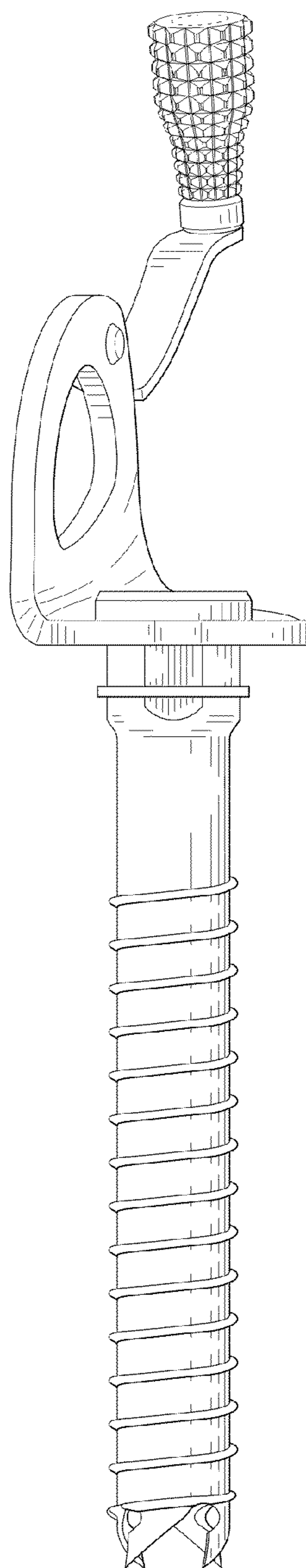


FIG. 5

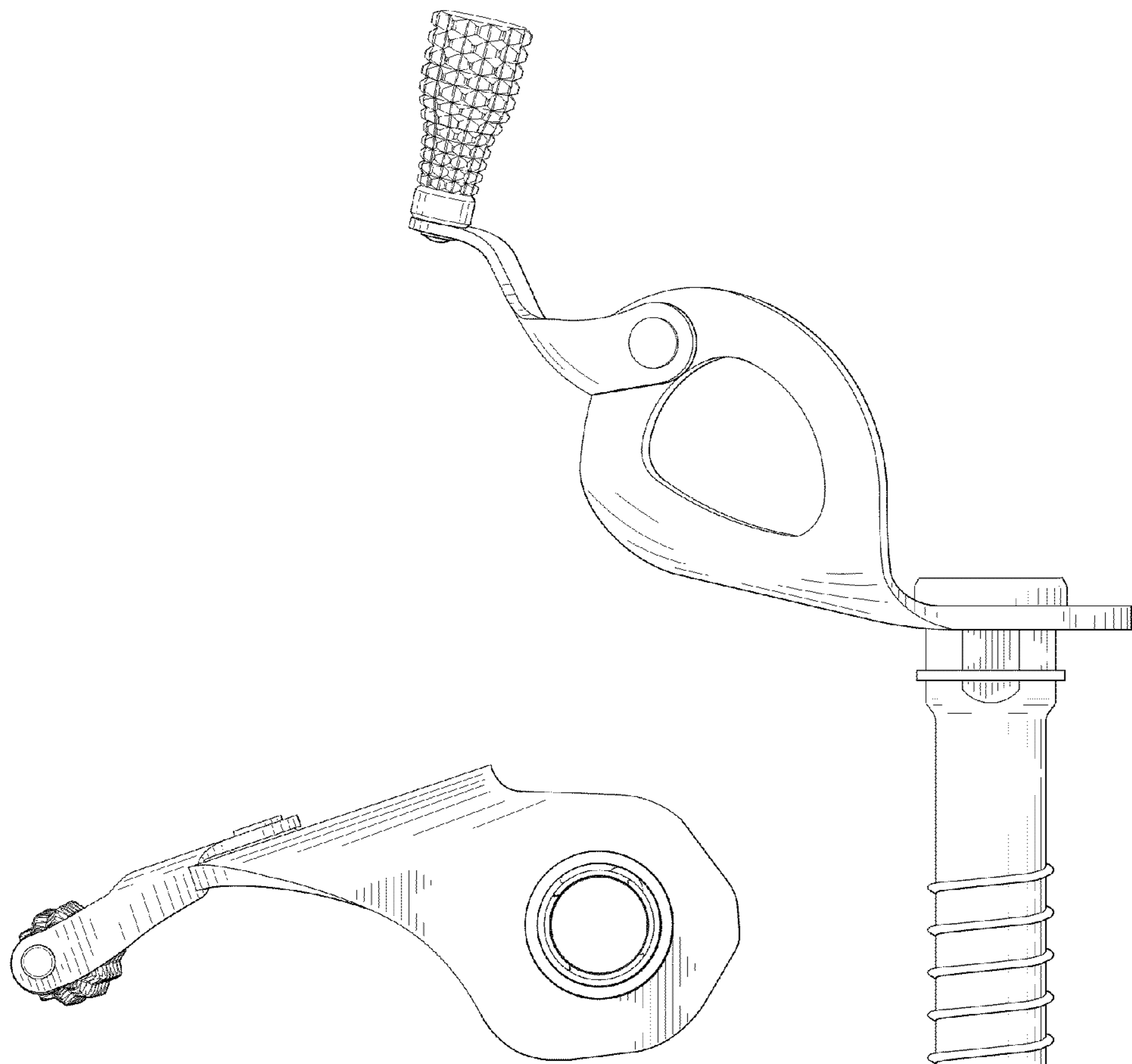


FIG. 6

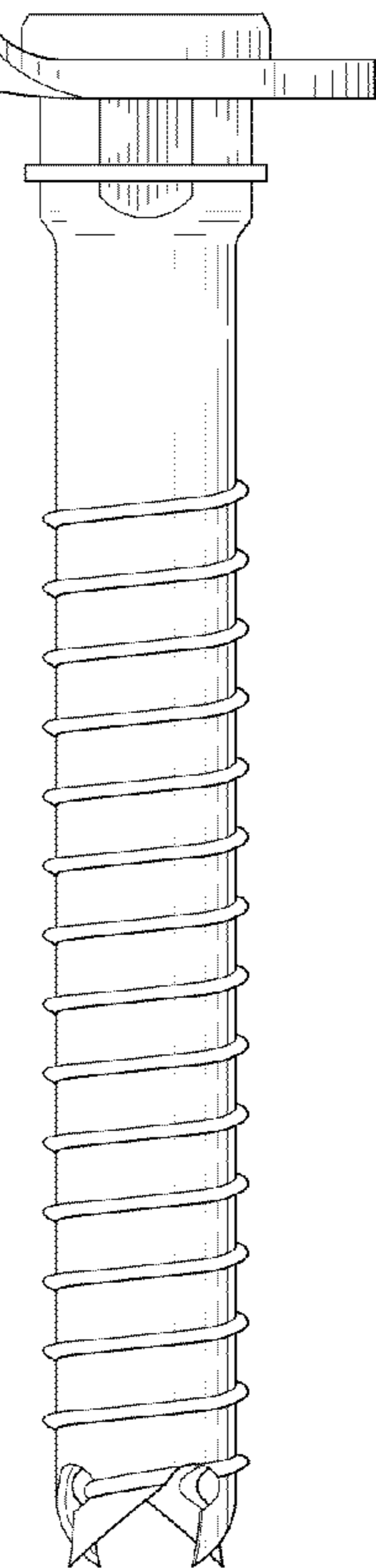


FIG. 7

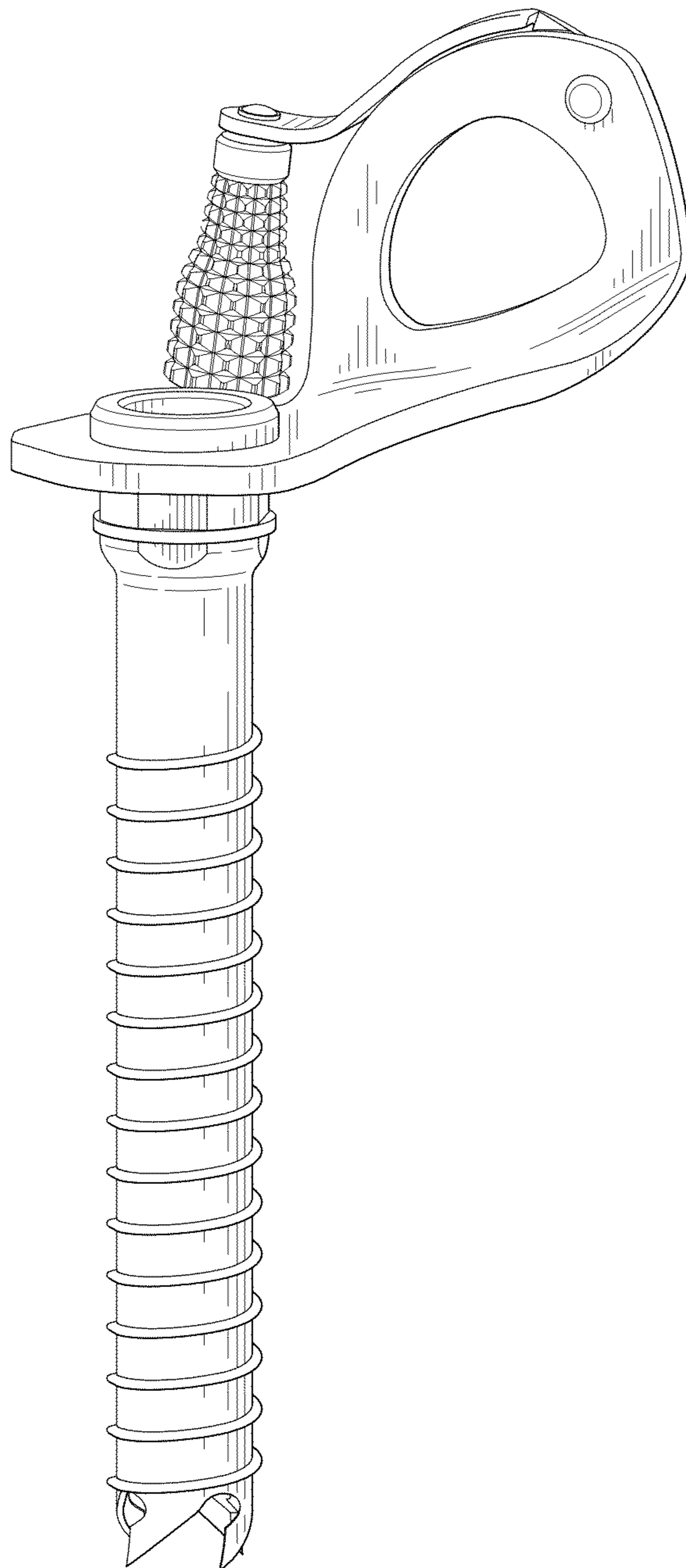


FIG. 8

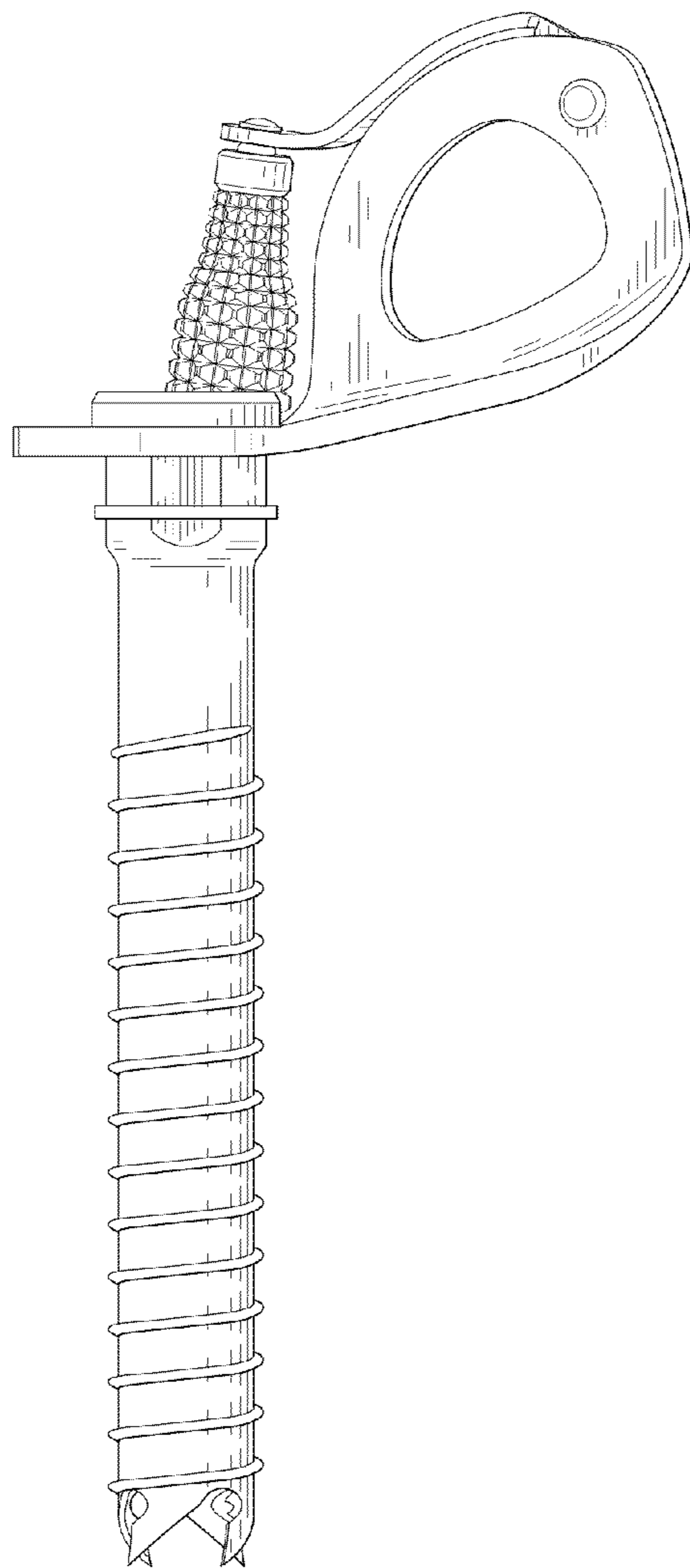


FIG. 9

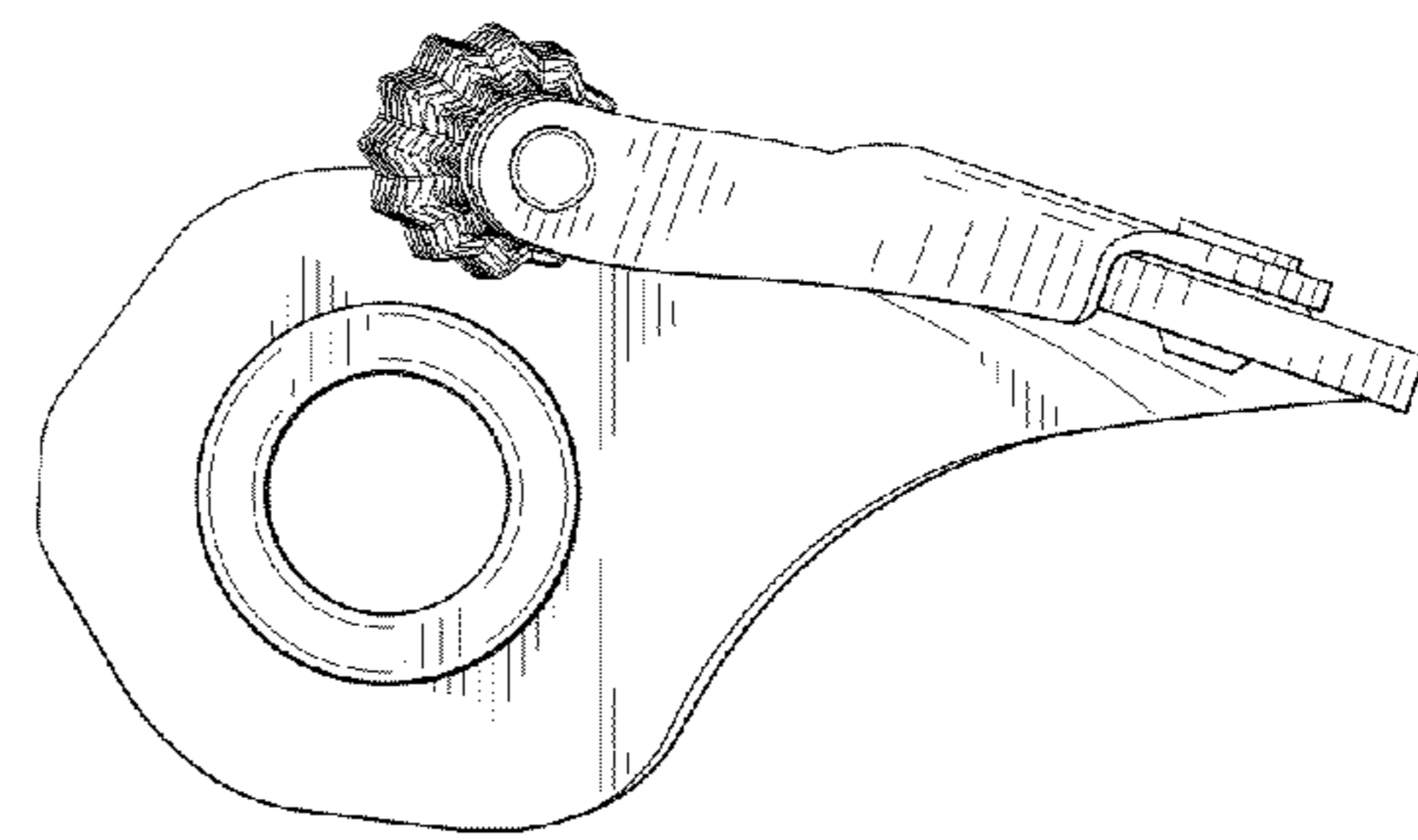


FIG. 10

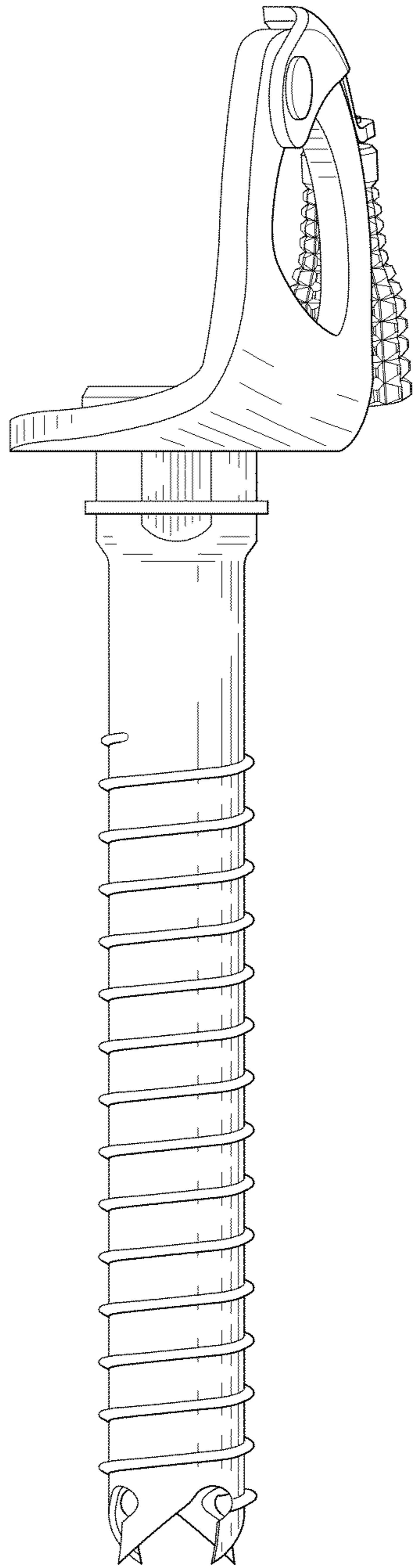


FIG. 11

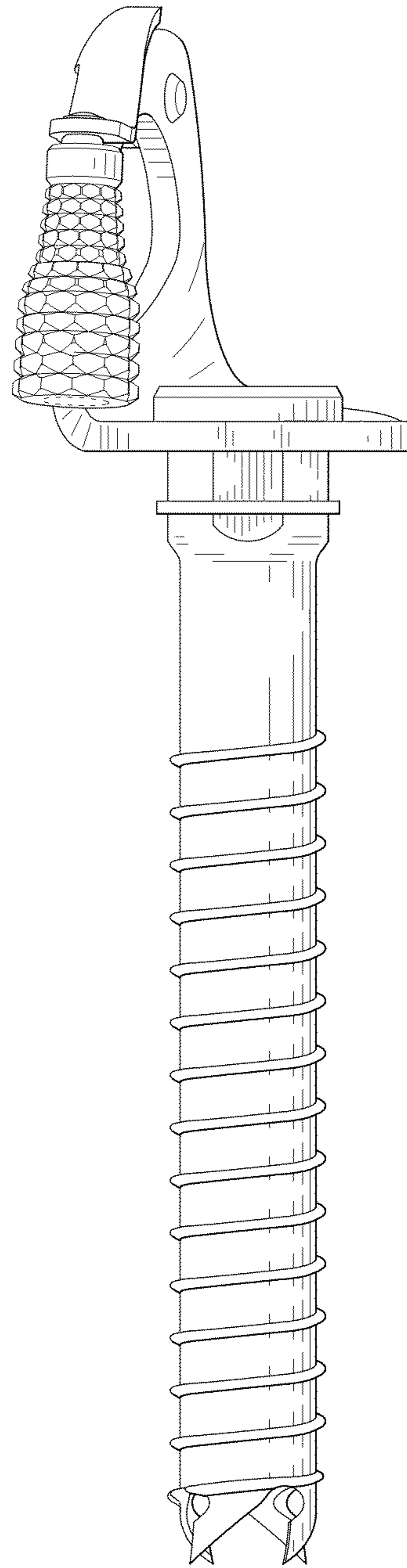


FIG. 12



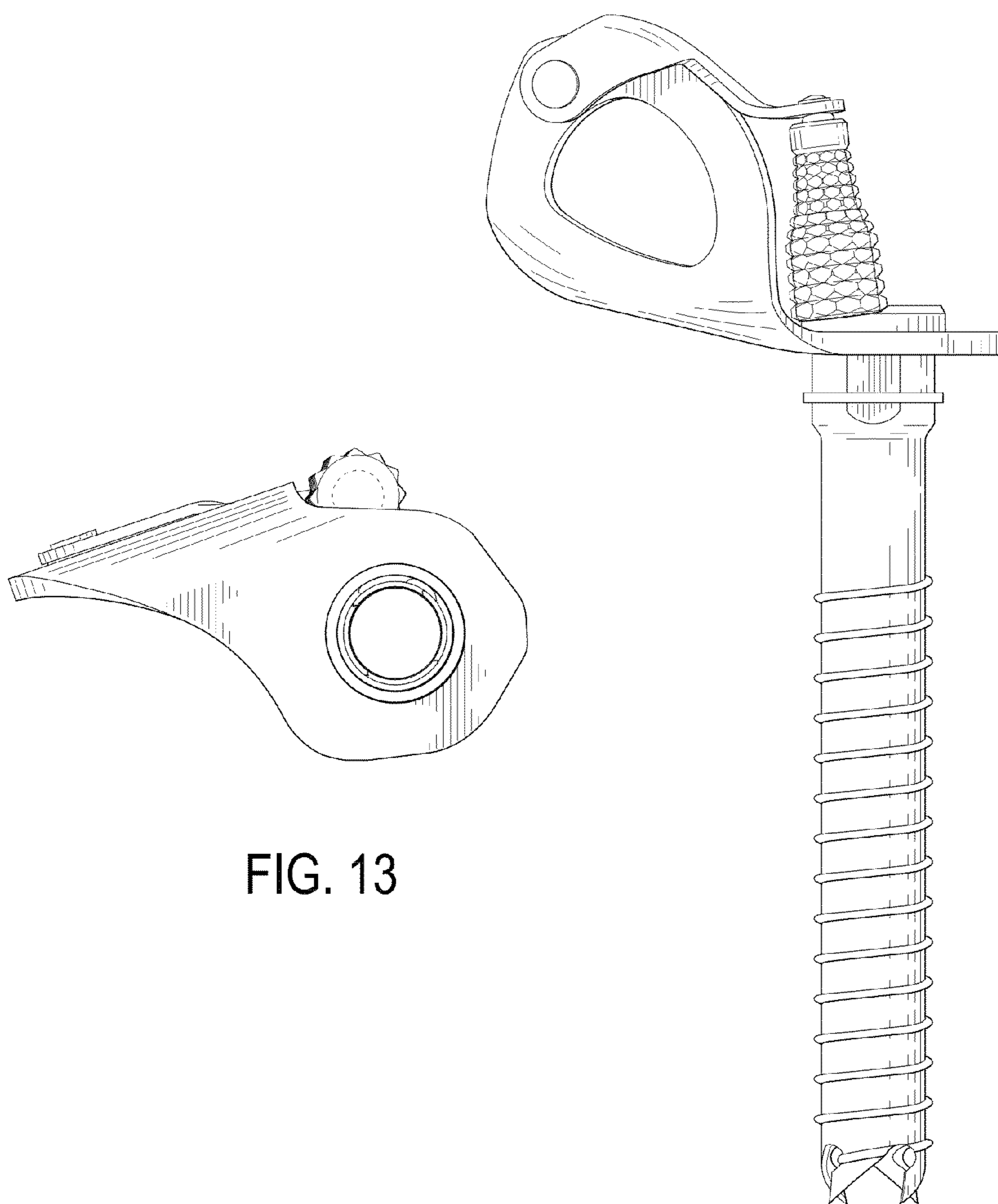


FIG. 13

FIG. 14