



US00D718612S

(12) **United States Design Patent**
McSweyn et al.

(10) **Patent No.:** **US D718,612 S**
(45) **Date of Patent:** **** Dec. 2, 2014**

- (54) **MAGNETIC MOUNTING SYSTEM WITH ANGLED STALK**
- (71) Applicant: **Scosche Industries, Inc.**, Oxnard, CA (US)
- (72) Inventors: **Christopher Michael McSweyn**, Oxnard, CA (US); **Vince Alves**, Oxnard, CA (US); **Mark Larson**, Camarillo, CA (US)
- (73) Assignee: **Scosche Industries, Inc.**, Oxnard, CA (US)
- (**) Term: **14 Years**
- (21) Appl. No.: **29/476,362**
- (22) Filed: **Dec. 12, 2013**
- (51) **LOC (10) Cl.** **08-05**
- (52) **U.S. Cl.**
USPC **D8/363**
- (58) **Field of Classification Search**
CPC B60R 11/00; B60R 11/0241; B60R 11/0258; B60R 11/0264
USPC D8/349, 363, 354, 106, 355, 499; 224/483, 0.5, 929; 248/682, 683, 248/205.1, 206.2–206.5, 207, 208, 288.11, 248/288.31, 288.51; 108/151, 152, 161; D14/251, 253, 447, 217
See application file for complete search history.

- (56) **References Cited**
U.S. PATENT DOCUMENTS
- | | | | | |
|-----------|-----|---------|-----------|--------------|
| 3,329,277 | A | 7/1967 | Gaudino | |
| 3,642,122 | A | 2/1972 | Von Ende | |
| D306,396 | S * | 3/1990 | Brushaber | D8/355 |
| 5,992,807 | A | 11/1999 | Tarulli | |
| 6,076,790 | A | 6/2000 | Richter | |
| 6,135,408 | A | 10/2000 | Richter | |
| 6,149,116 | A | 11/2000 | Won | |
| 6,305,656 | B1 | 10/2001 | Wemyss | |

- | | | | | |
|--------------|------|---------|-----------------|------------------|
| 6,382,482 | B1 | 5/2002 | Chao | |
| 6,502,727 | B1 | 1/2003 | Decoteau | |
| 6,888,940 | B1 | 5/2005 | Deppen | |
| D521,850 | S * | 5/2006 | Richter et al. | D8/354 |
| D543,439 | S * | 5/2007 | Brassard | D8/363 |
| D553,959 | S * | 10/2007 | Brassard | D8/363 |
| 7,296,771 | B2 * | 11/2007 | Kalis et al. | 248/288.31 |
| D560,592 | S * | 1/2008 | Brassard | D12/415 |
| D565,937 | S * | 4/2008 | Tsai | D8/363 |
| 7,374,142 | B2 | 5/2008 | Carnevali | |
| 7,431,251 | B2 | 10/2008 | Carnevali | |
| D588,903 | S * | 3/2009 | Carnevali | D8/355 |
| D592,205 | S * | 5/2009 | O'Brien | D14/253 |
| 8,016,255 | B2 | 9/2011 | Lin | |
| 8,496,222 | B2 * | 7/2013 | Li | 248/683 |
| D705,211 | S * | 5/2014 | Huang | D14/253 |
| D709,066 | S * | 7/2014 | Byun | D14/253 |
| 2008/0023606 | A1 * | 1/2008 | Kalis et al. | 248/288.31 |
| 2011/0192857 | A1 | 8/2011 | Rothbaum et al. | |
| 2013/0187020 | A1 * | 7/2013 | Trotsky | 248/309.3 |

* cited by examiner

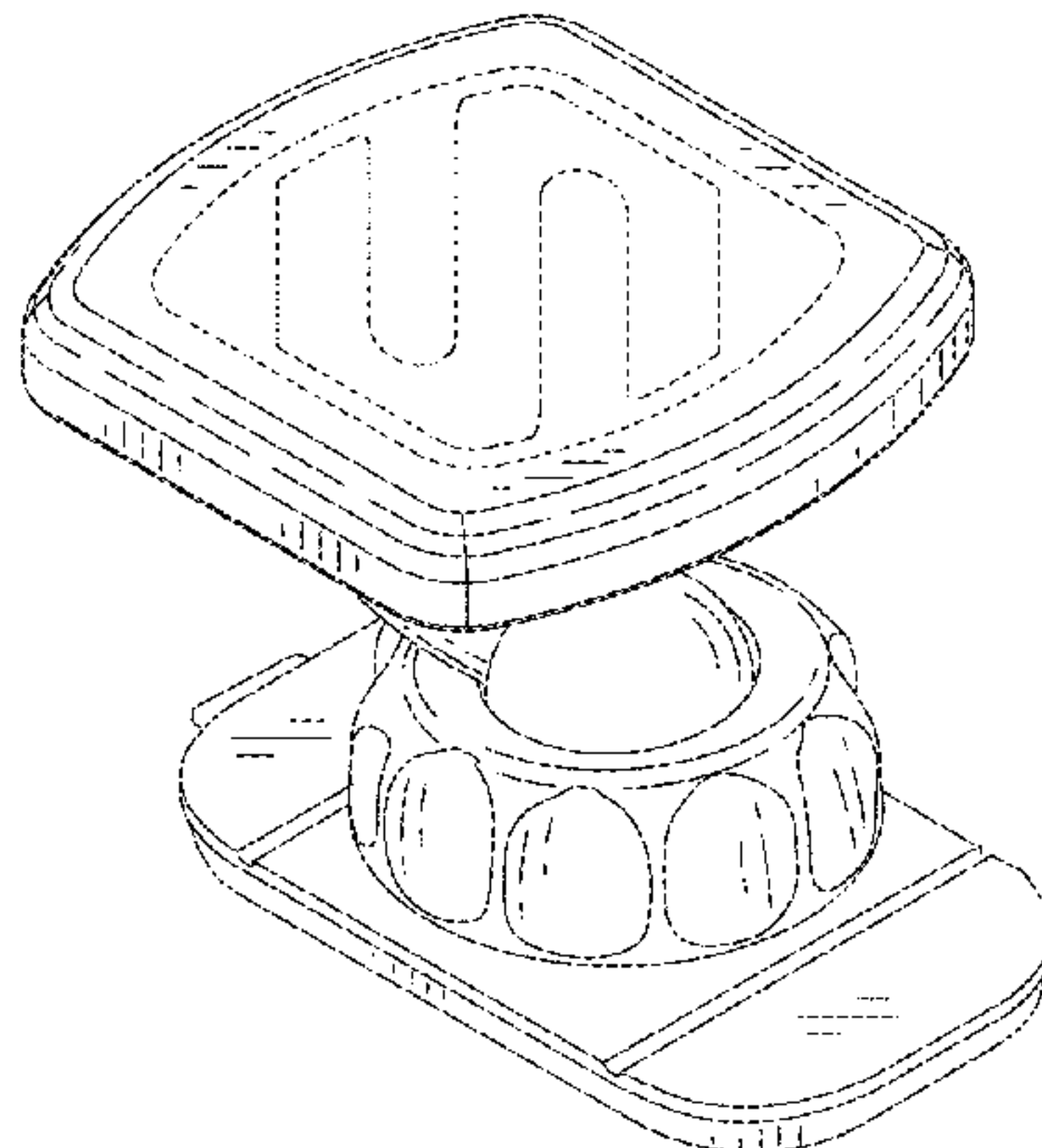
Primary Examiner — Deanna L Pratt
Assistant Examiner — Ieisha Price
 (74) *Attorney, Agent, or Firm* — Stetina Brunda Garred & Brucker

(57) **CLAIM**
 The ornamental design for a magnetic mounting system with angled stalk, as shown and described.

DESCRIPTION

FIG. 1 is a top perspective view showing the magnetic mounting system with angled stalk.
 FIG. 2 is a front view thereof;
 FIG. 3 is a left side view thereof;
 FIG. 4 is a top plan view thereof;
 FIG. 5 is a bottom plan view thereof; and,
 FIG. 6 is rear view thereof.
 The broken lines in the drawings illustrate portions of the magnetic mounting system with angled stalk which form no part of the claimed design.

1 Claim, 2 Drawing Sheets



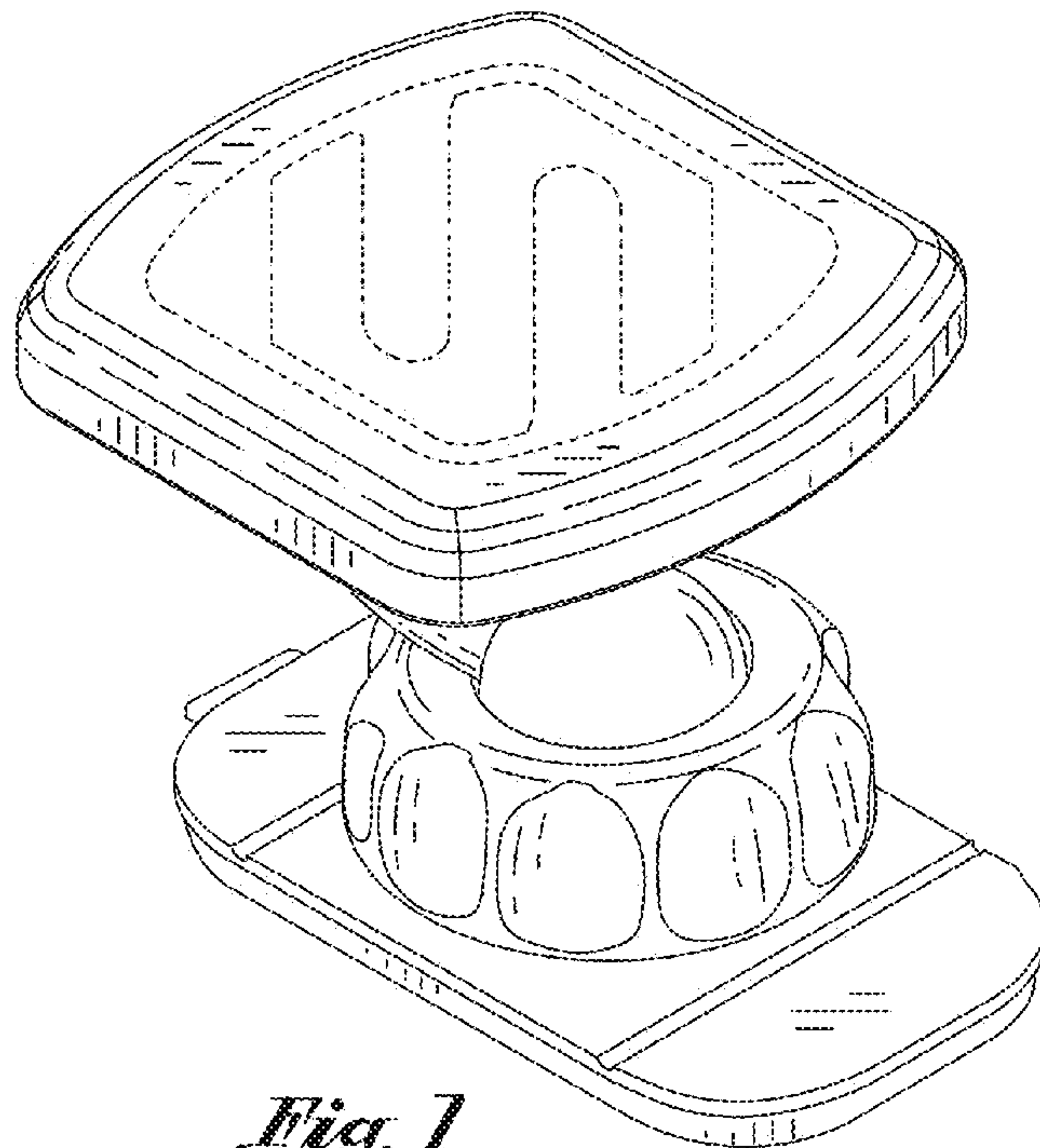


Fig. 1

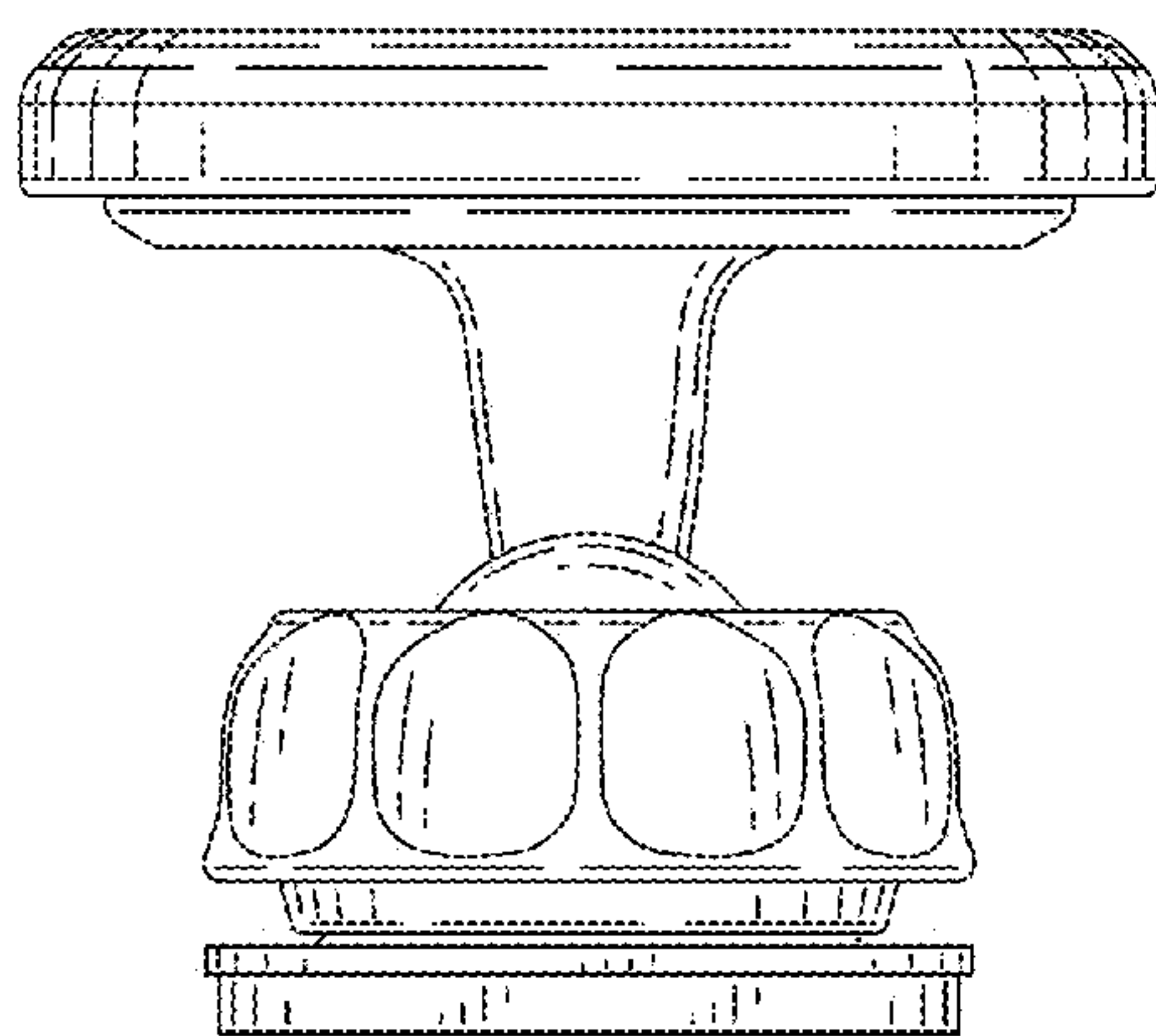


Fig. 2

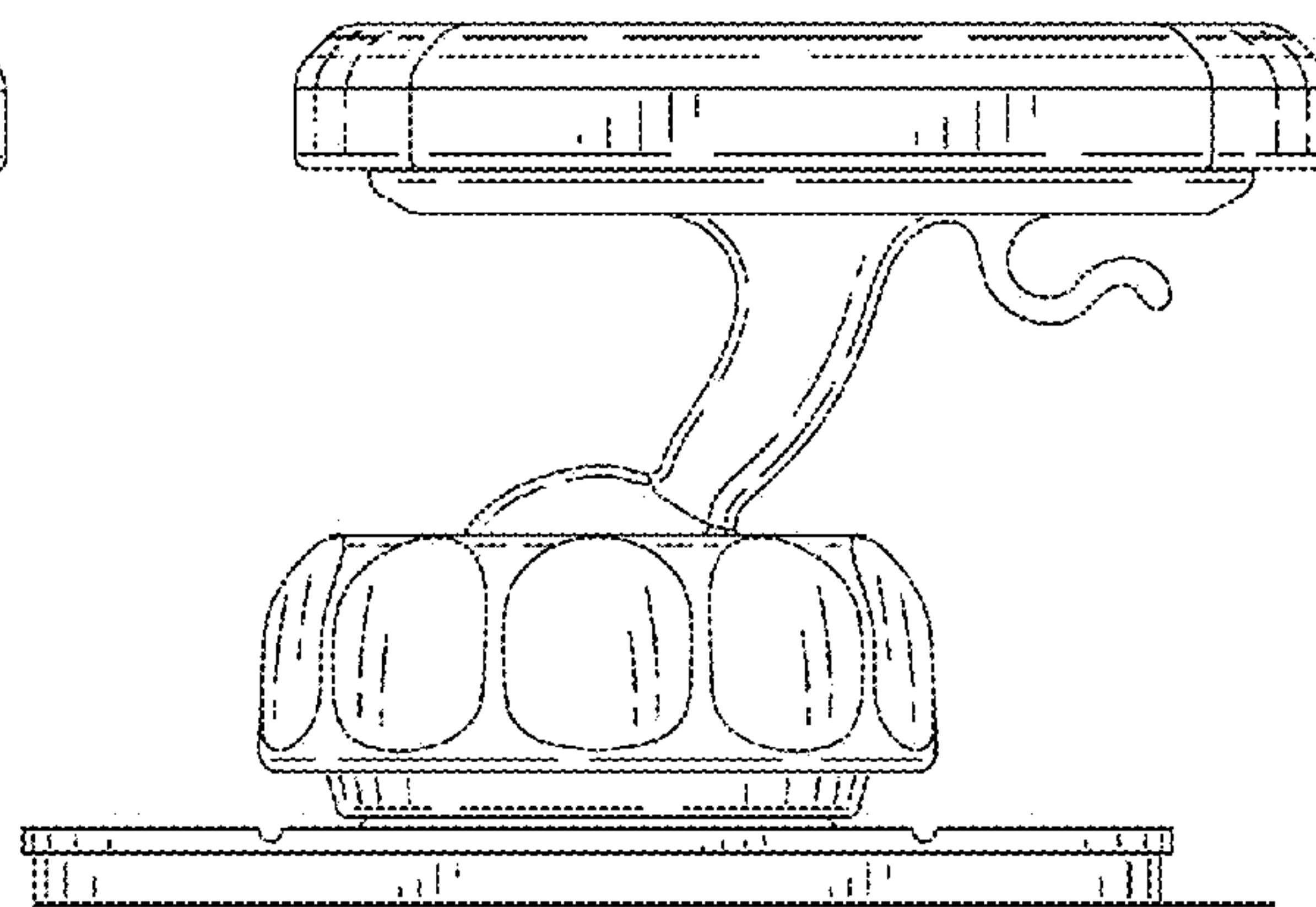


Fig. 3

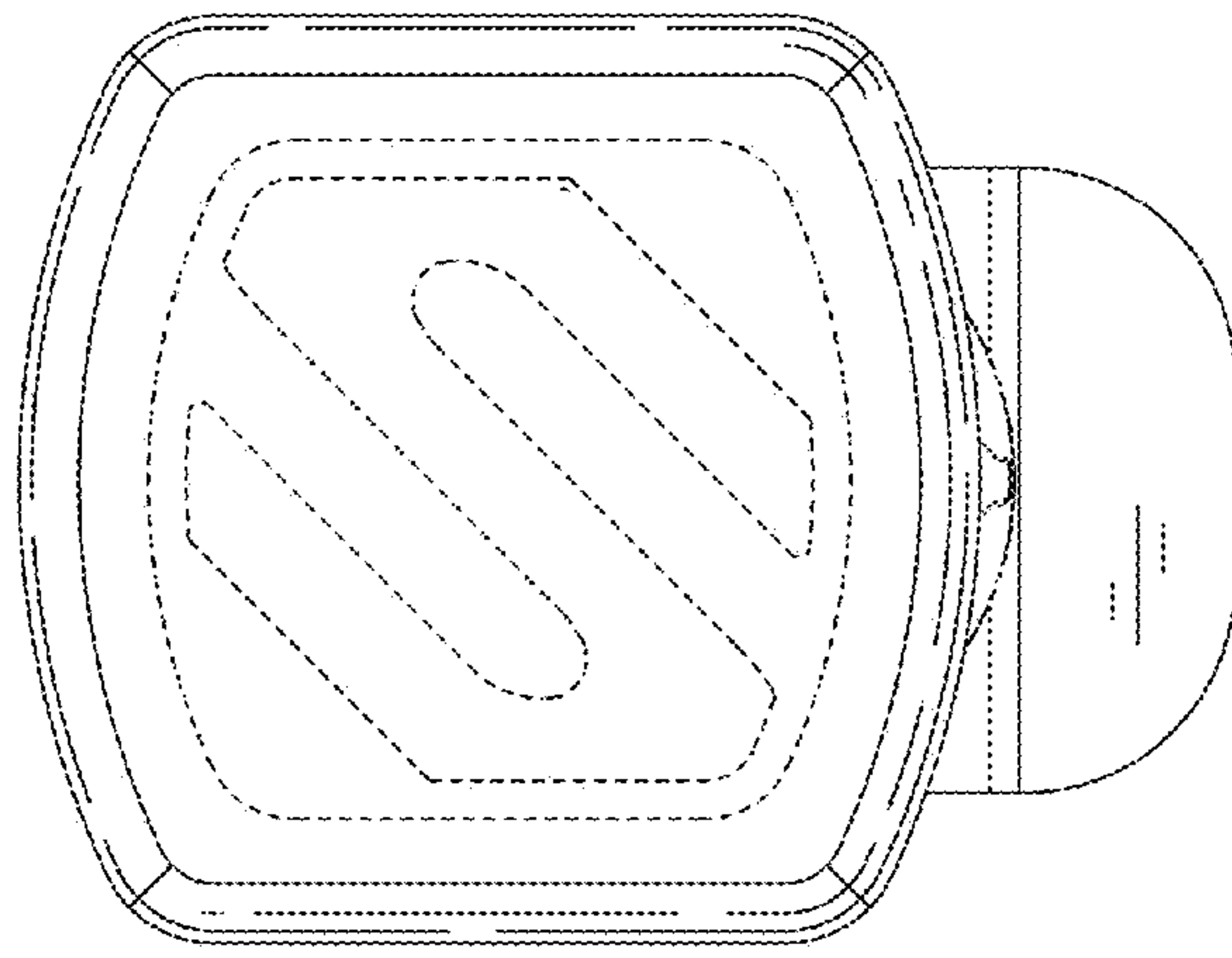


Fig. 4

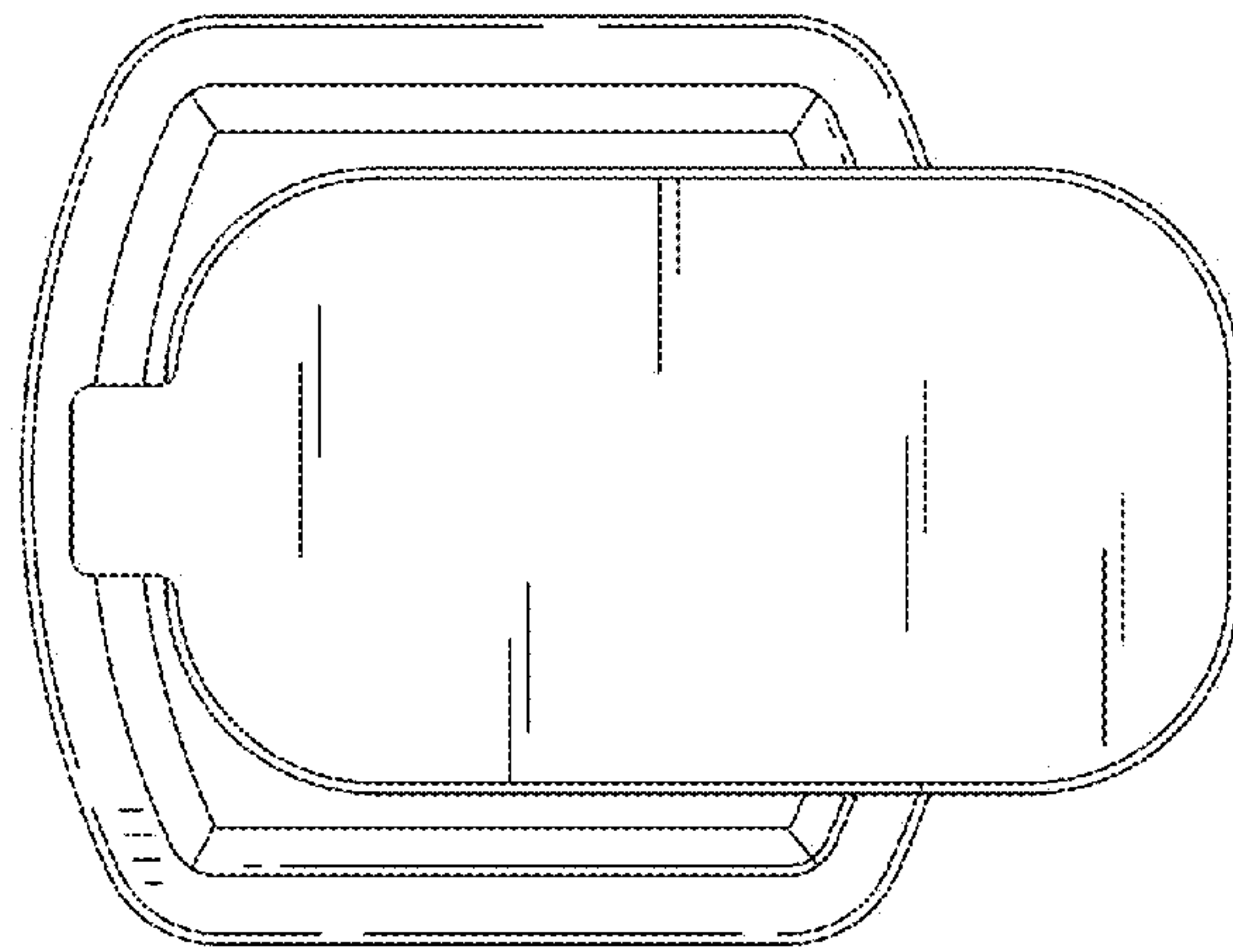


Fig. 5

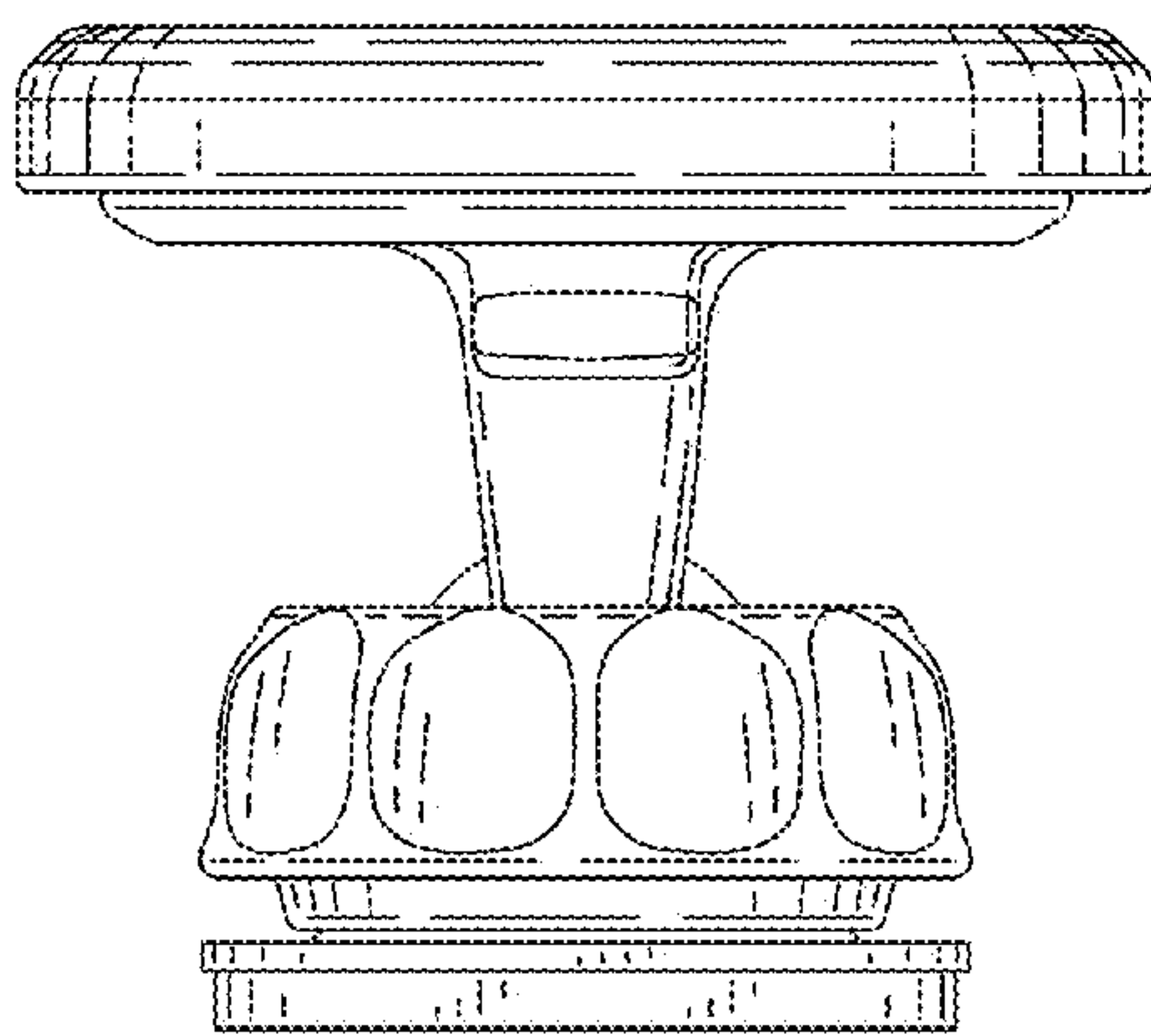


Fig. 6