



US00D718611S

(12) **United States Design Patent**
Kung

(10) **Patent No.:** **US D718,611 S**

(45) **Date of Patent:** **** Dec. 2, 2014**

(54) **CONNECTING RING FOR INTERIOR CROSS STRAPS OF A SUITCASE**

(71) Applicant: **Merrimack River Precision Industrial Corporation, Taipei (TW)**

(72) Inventor: **Tsung-Ming Kung, Taipei (TW)**

(73) Assignee: **Merrimack River Precision Industrial Corporation, Taipei (TW)**

(**) Term: **14 Years**

(21) Appl. No.: **29/488,698**

(22) Filed: **Apr. 22, 2014**

(51) **LOC (10) Cl.** **08-05**

(52) **U.S. Cl.**
USPC **D8/356**

(58) **Field of Classification Search**
USPC D8/367, 354, 349, 356; 248/227.2, 215,
248/231.81, 304, 309.1; D6/578; D3/318;
190/101

See application file for complete search history.

(56) **References Cited**

U.S. PATENT DOCUMENTS

3,866,873	A	*	2/1975	Bohli	248/544
5,949,339	A	*	9/1999	Ettinger et al.	340/573.1
D419,816	S	*	2/2000	Harkinson	D6/580
D458,870	S	*	6/2002	Anscher	D11/218
D473,782	S	*	4/2003	Wu et al.	D8/356
D480,841	S	*	10/2003	Bird	D30/138
D506,313	S	*	6/2005	Neumann	D3/318

D507,509	S	*	7/2005	Hou	D11/218
D509,459	S	*	9/2005	Pontaoe	D11/208
D511,960	S	*	11/2005	Ogino	D8/354
D525,168	S	*	7/2006	Pontaoe	D11/208
D542,123	S	*	5/2007	Symons	D8/356
D591,992	S	*	5/2009	Brown	D6/580
D592,939	S	*	5/2009	Kelleghan	D8/356
D625,654	S	*	10/2010	Spater	D11/210
D625,985	S	*	10/2010	Mori et al.	D8/356
D630,495	S	*	1/2011	Allina et al.	D8/356
D632,158	S	*	2/2011	Yang et al.	D8/349
D649,907	S	*	12/2011	Kataguchi	D11/218
D661,573	S	*	6/2012	Paik et al.	D8/367
D682,663	S	*	5/2013	Evon	D8/367
D687,699	S	*	8/2013	Hollis et al.	D8/356

* cited by examiner

Primary Examiner — Cynthia Underwood

(74) *Attorney, Agent, or Firm* — C. G. Mersereau; Nikolai & Mersereau, P.A.

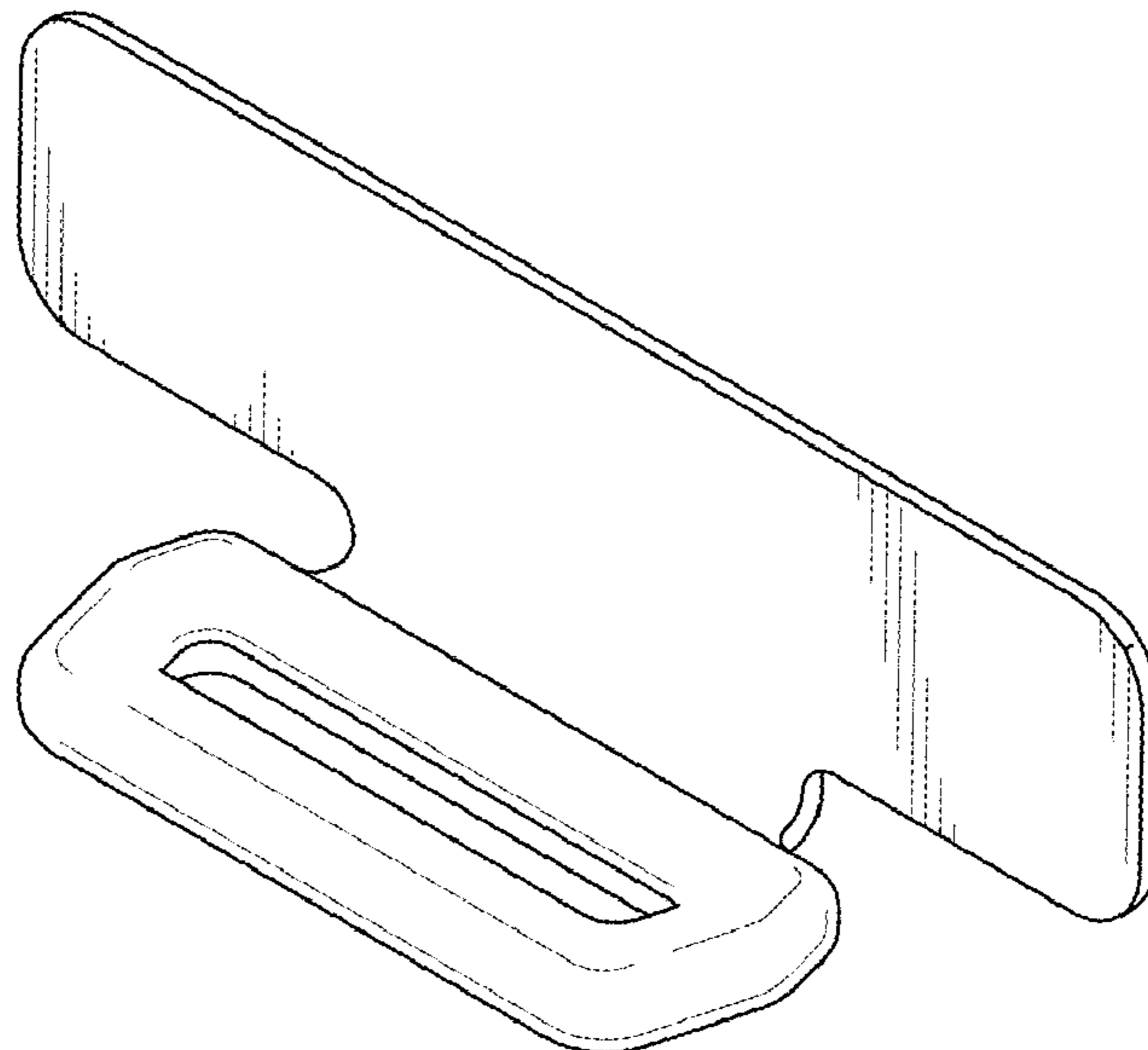
(57) **CLAIM**

The ornamental design for a connecting ring for interior cross straps of a suitcase, as shown.

DESCRIPTION

FIG. 1 is a perspective view of a connecting ring for interior cross straps of a suitcase showing my new design;
FIG. 2 is a front view thereof;
FIG. 3 is a rear view thereof;
FIG. 4 is a left view thereof;
FIG. 5 is a right view thereof;
FIG. 6 is a top view thereof; and,
FIG. 7 is a bottom view thereof.

1 Claim, 4 Drawing Sheets



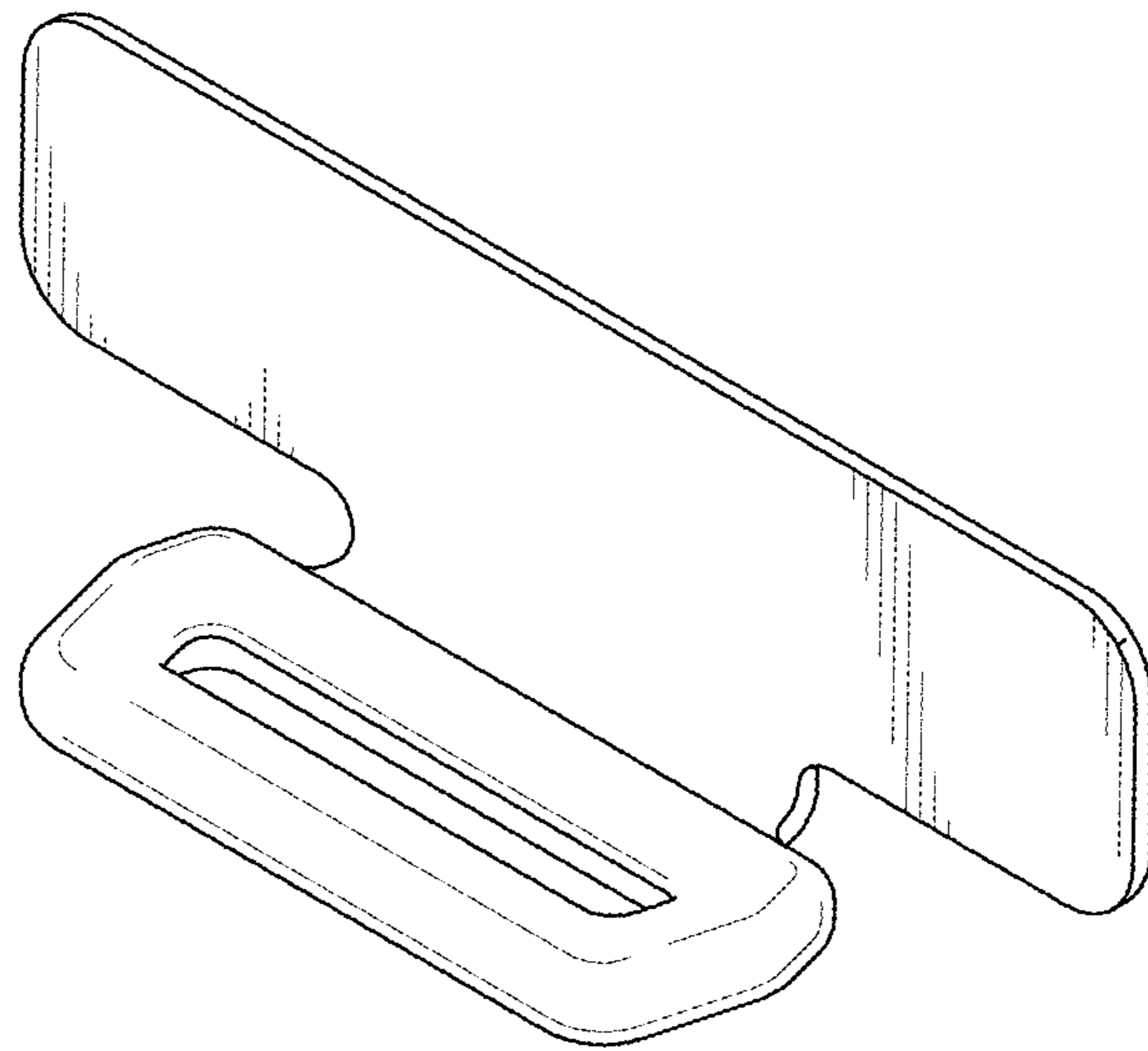


FIG. 1

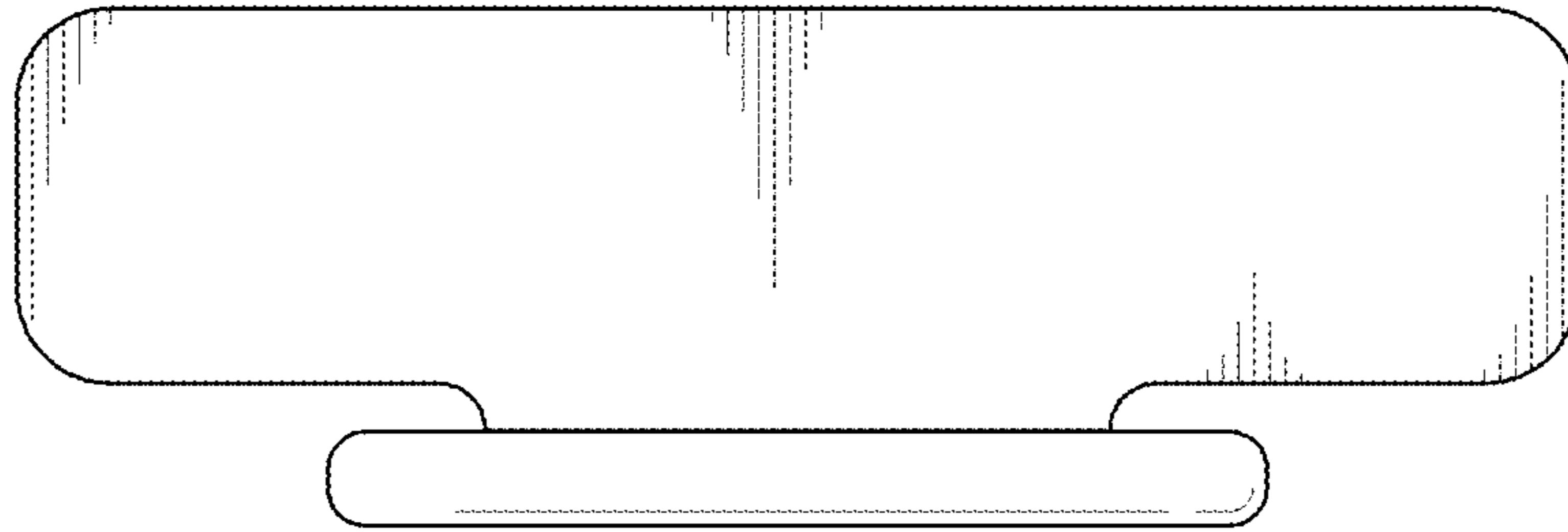


FIG. 2

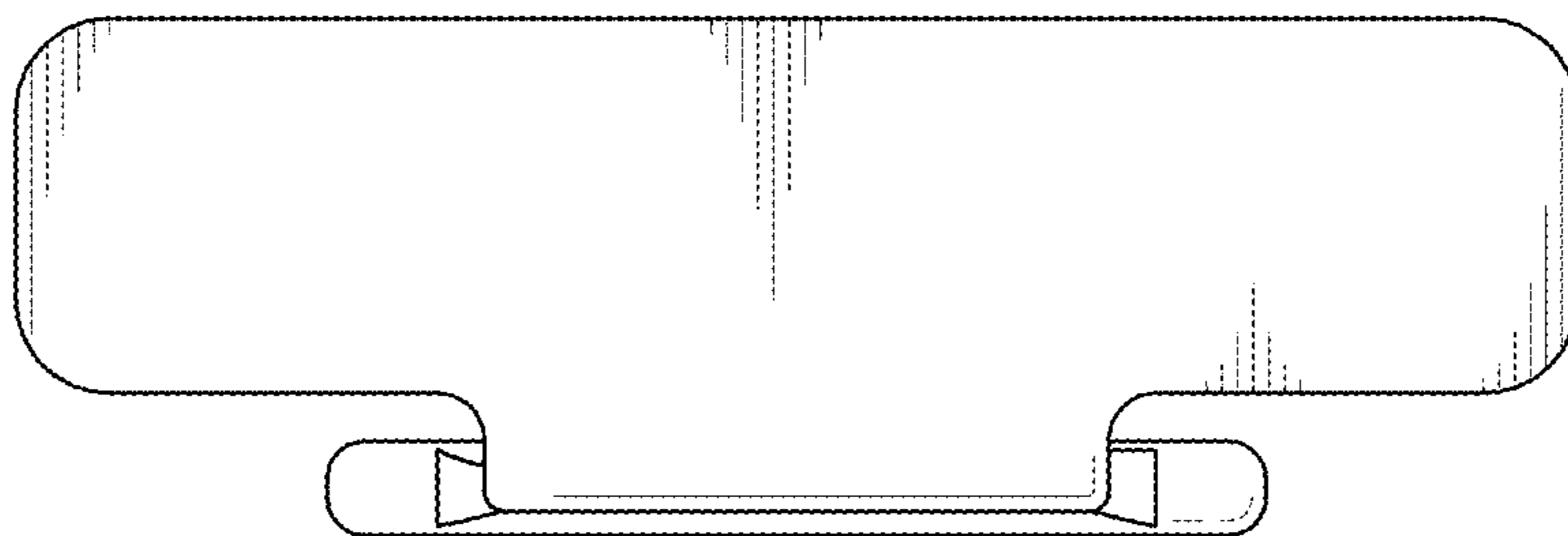


FIG. 3

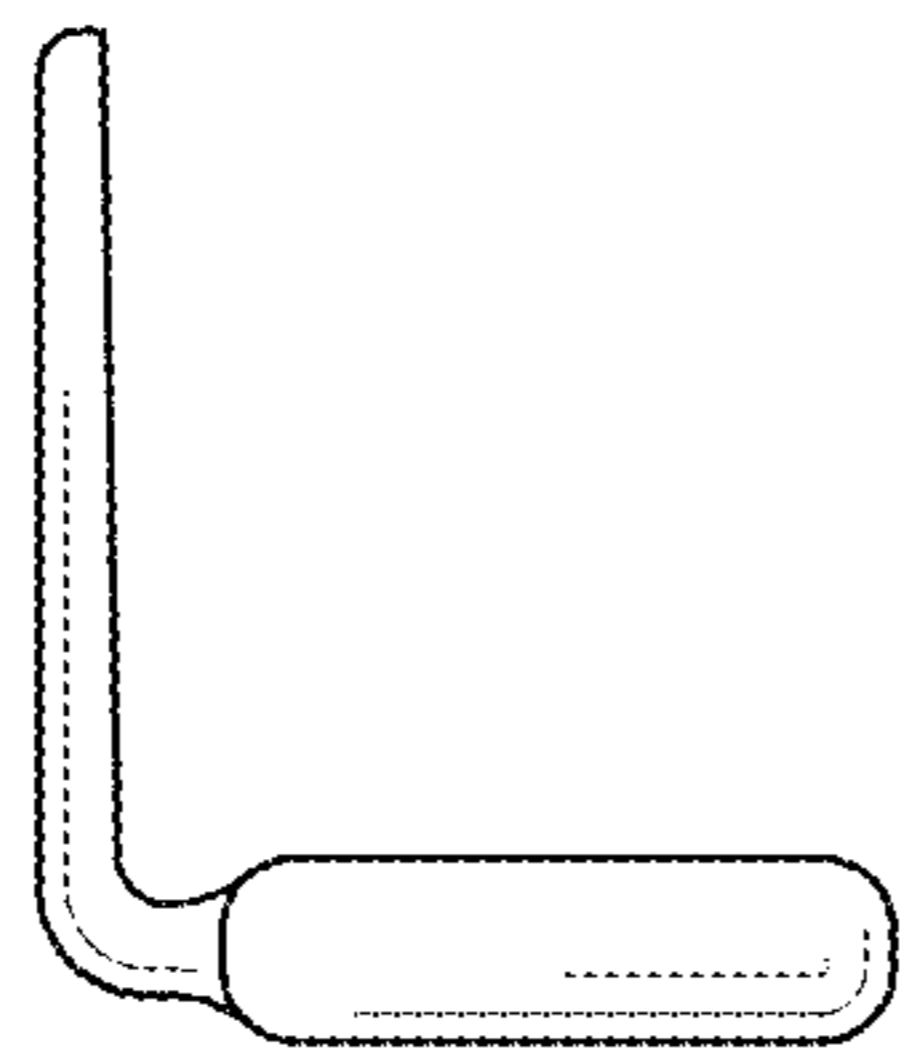


FIG. 4

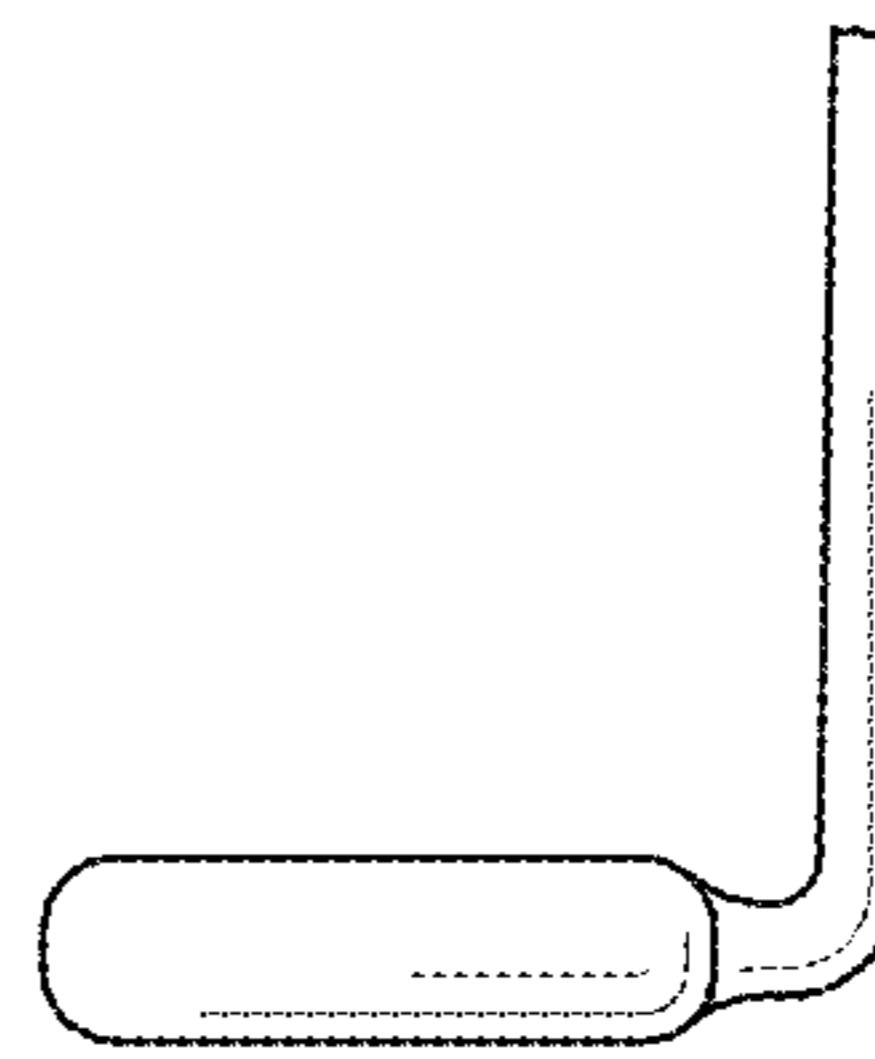


FIG. 5

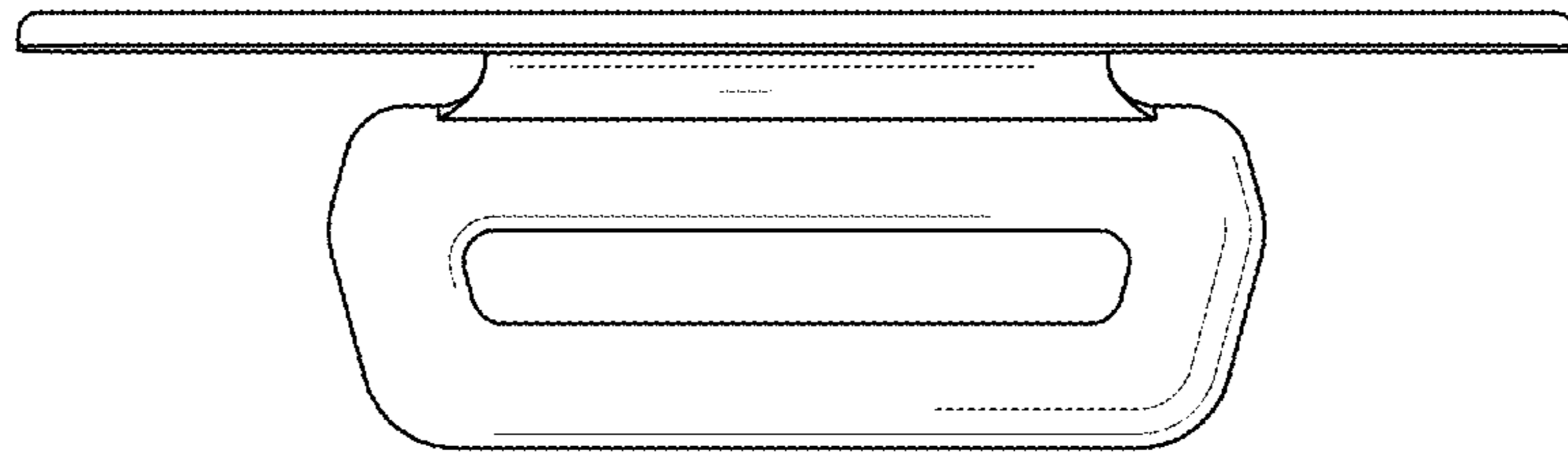


FIG. 6

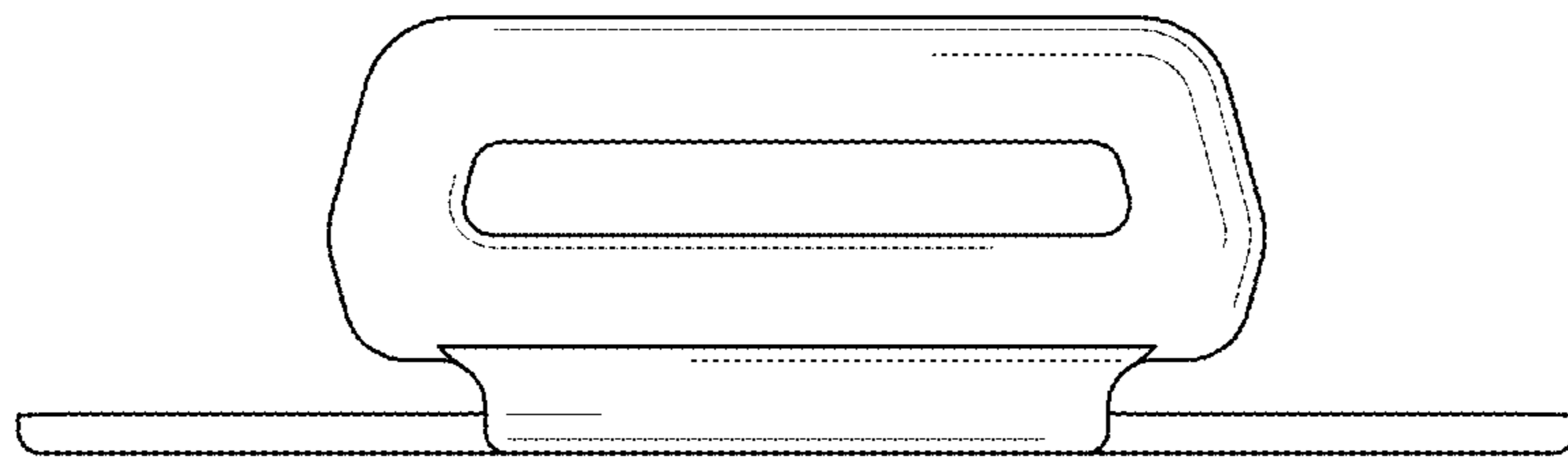


FIG. 7