



US00D718610S

(12) **United States Design Patent**
Holtby et al.

(10) **Patent No.:** **US D718,610 S**

(45) **Date of Patent:** **** Dec. 2, 2014**

(54) **TUBING TRAY**

(75) Inventors: **Quinn A. J. Holtby**, Edmonton (CA);
Dallas Laird Greenwood, Edmonton
(CA)

(73) Assignee: **Katch Kan Holdings Ltd.**, Edmonton,
Alberta (CA)

(**) Term: **14 Years**

(21) Appl. No.: **29/426,359**

(22) Filed: **Jul. 3, 2012**

(30) **Foreign Application Priority Data**

May 8, 2012 (CA) 145564

(51) **LOC (10) Cl.** **08-05**

(52) **U.S. Cl.**
USPC **D8/356**

(58) **Field of Classification Search**
CPC B65D 85/20; F16M 13/00
USPC D9/434, 455, 456, 499; D3/201, 203.1,
D3/203.6, 203.8, 273, 294, 295, 313;
206/234, 423, 446, 564, 735; 220/737;
D7/586

See application file for complete search history.

(56) **References Cited**

U.S. PATENT DOCUMENTS

D191,545 S * 10/1961 Emery D9/425
D235,621 S * 7/1975 Cawrse D9/425
D237,920 S * 12/1975 Bernard D6/372
D249,233 S * 9/1978 Florian D9/425
D363,662 S * 10/1995 Plater D9/425

D384,778 S * 10/1997 Powers et al. D30/119
D389,307 S * 1/1998 Zimmerman D3/273
D432,361 S * 10/2000 Jenkins D7/554.3
6,446,827 B1 * 9/2002 Akins 220/570
D493,670 S * 8/2004 De Neubourg D7/554.3
D525,820 S * 8/2006 Oztiryaki D7/354
D543,134 S * 5/2007 Cox et al. D11/156
D573,411 S * 7/2008 Lovett D7/554.3
D600,113 S * 9/2009 Edwards et al. D9/425
2012/0000920 A1 * 1/2012 Anhalt et al. 220/608

OTHER PUBLICATIONS

Katchkan.com: Katch Kan Tubing Trays, 2 pages. © 2014, found
online at <http://www.katchkan.com/product/tubing-tray/>.*

* cited by examiner

Primary Examiner — Robert M Spear

(74) *Attorney, Agent, or Firm* — Anthony R. Lambert

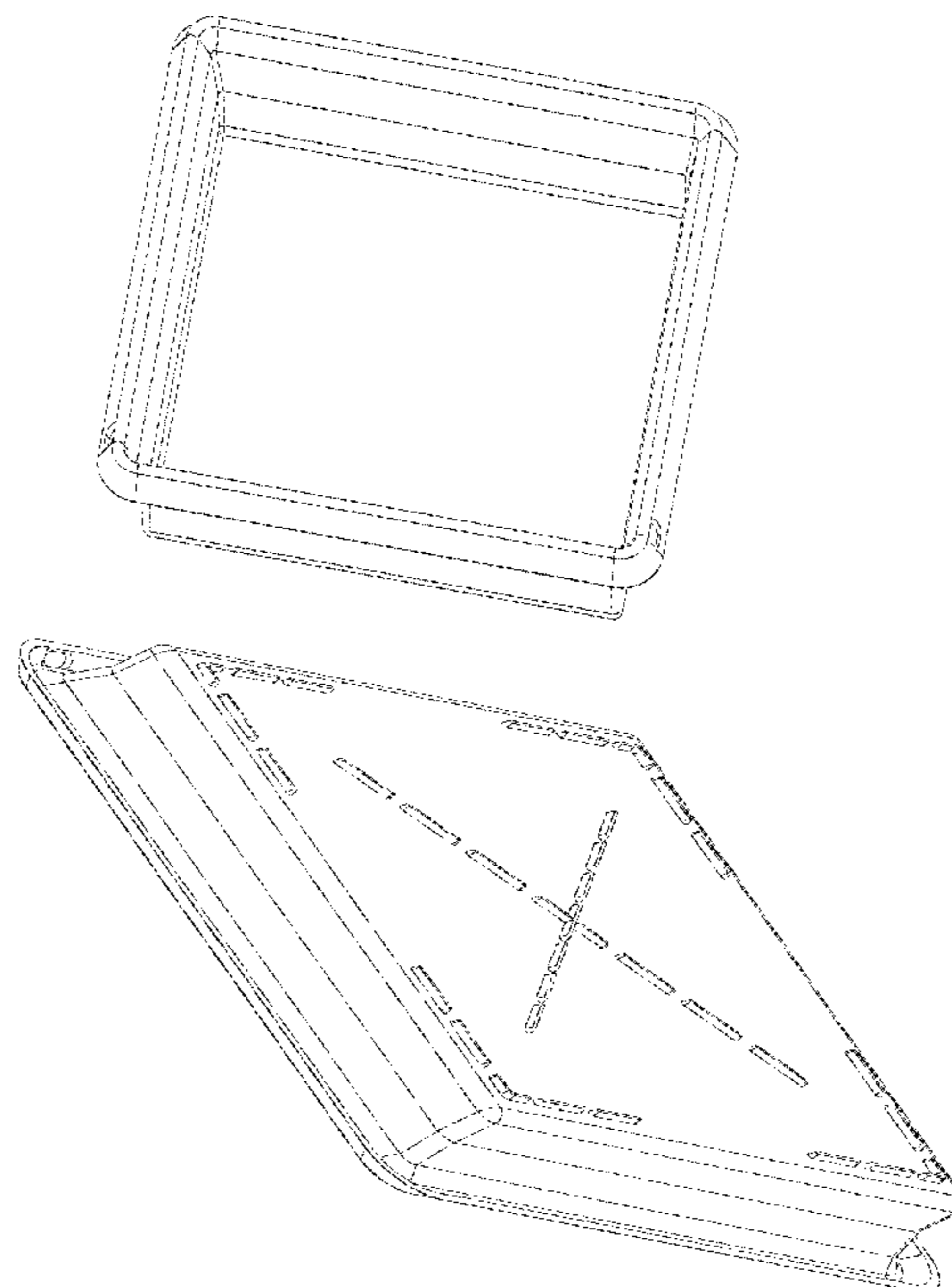
(57) **CLAIM**

The ornamental design for a tubing tray, as shown and
described.

DESCRIPTION

FIG. 1 is a top plan view of the tubing tray, according to the
new design;
FIG. 2 is a bottom plan view of the tubing tray of FIG. 1;
FIG. 3 is a front elevation view of the tubing tray of FIG. 1;
FIG. 4 is a right side elevation view of the tubing tray of FIG.
1;
FIG. 5 is a top perspective view of the tubing tray of FIG. 1;
and,
FIG. 6 is a bottom perspective view of the tubing tray of FIG.
1.

1 Claim, 6 Drawing Sheets



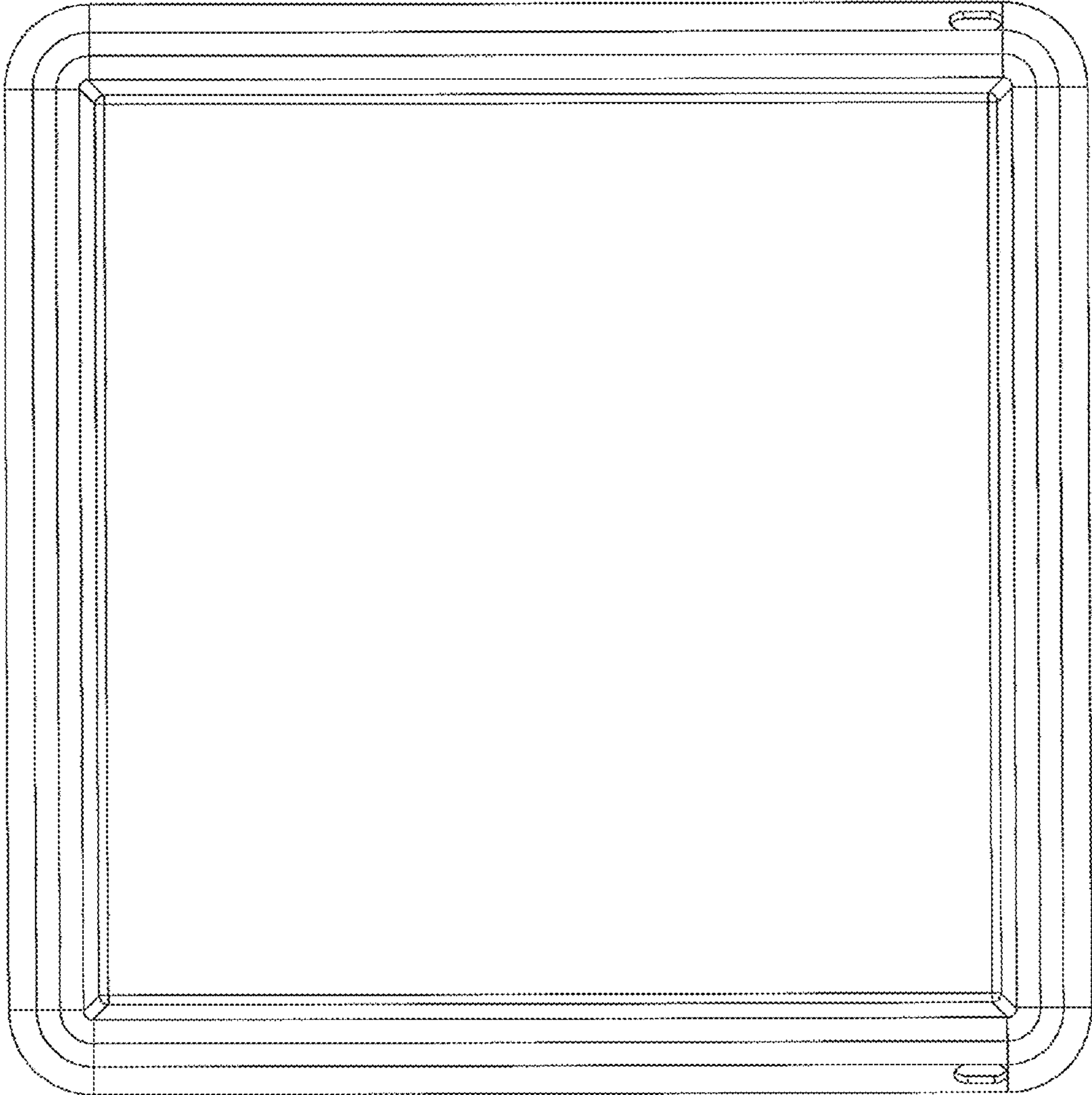


Fig. 1

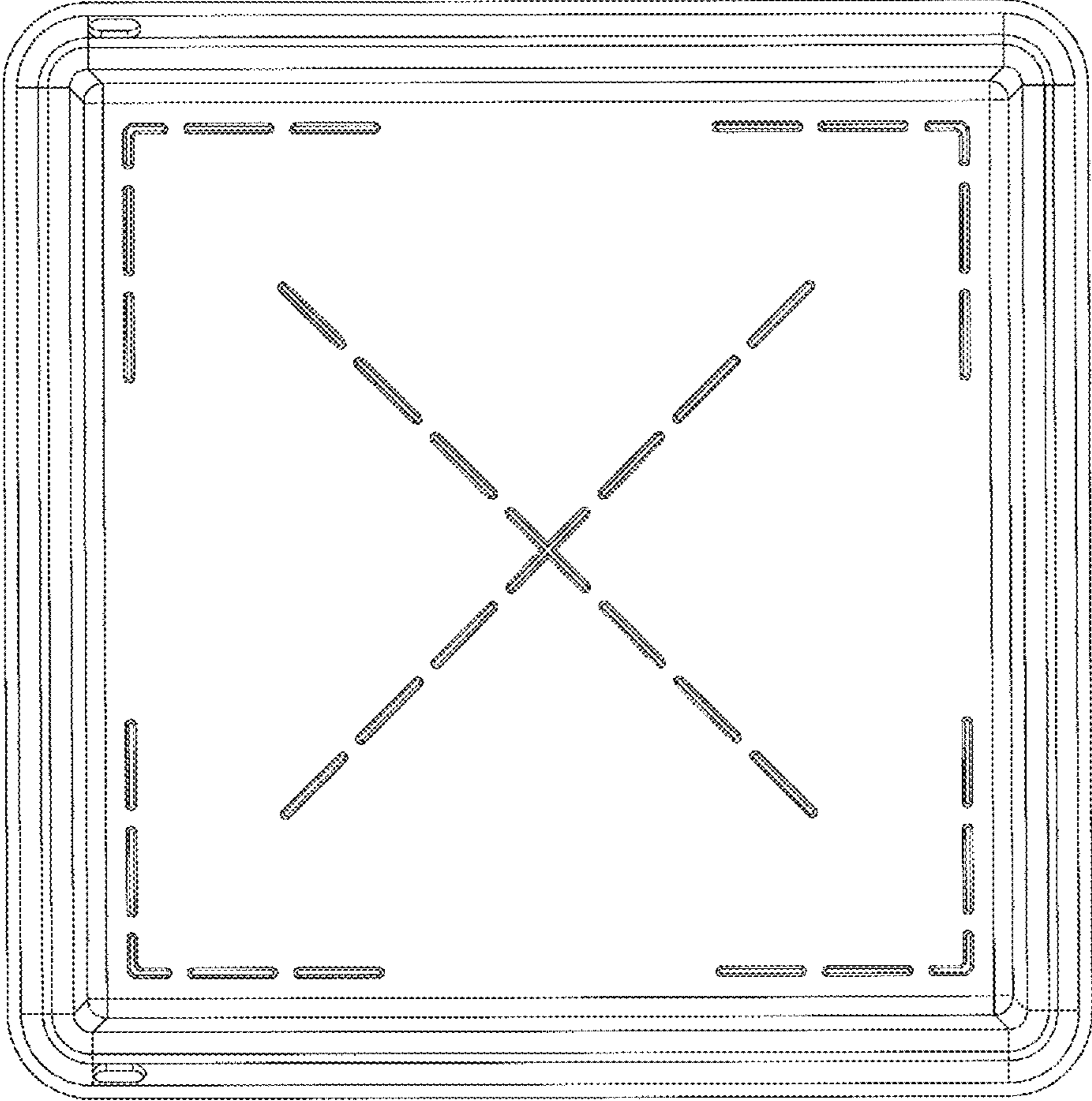


Fig. 2

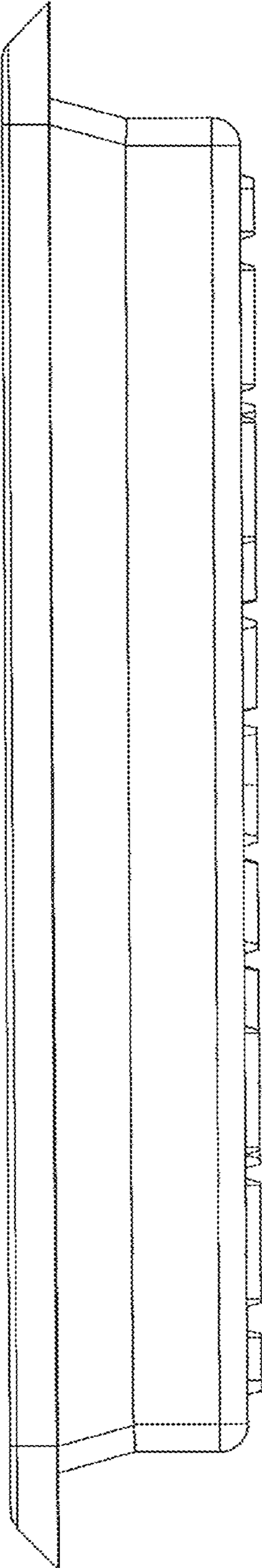


Fig. 3

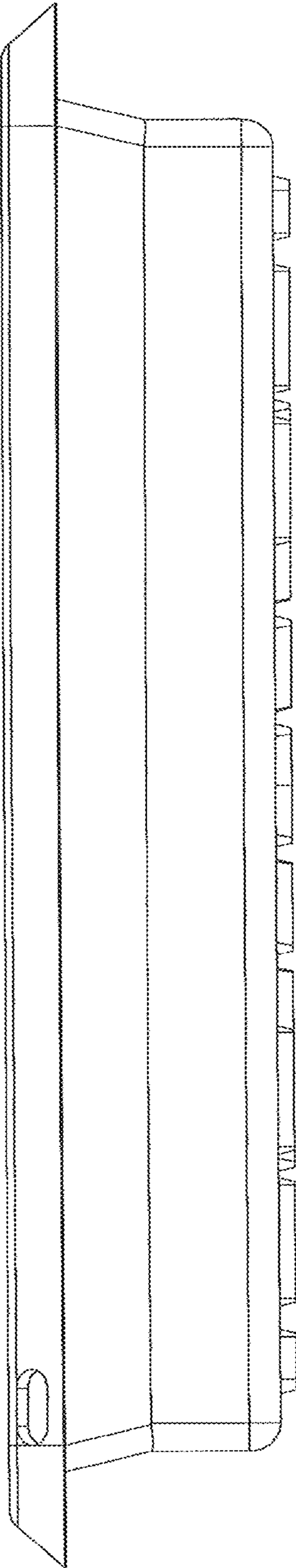


Fig. 4

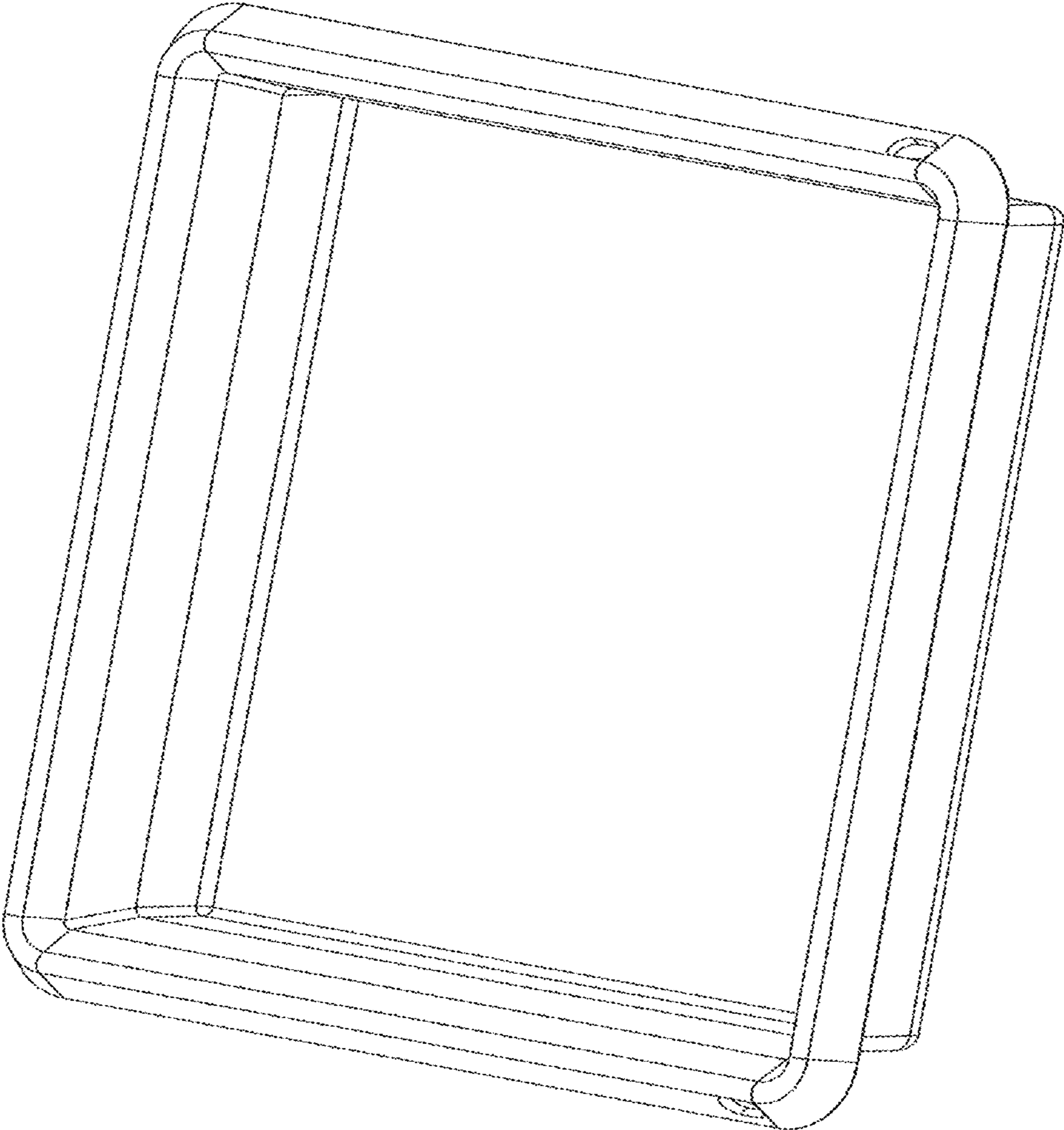


FIG. 5

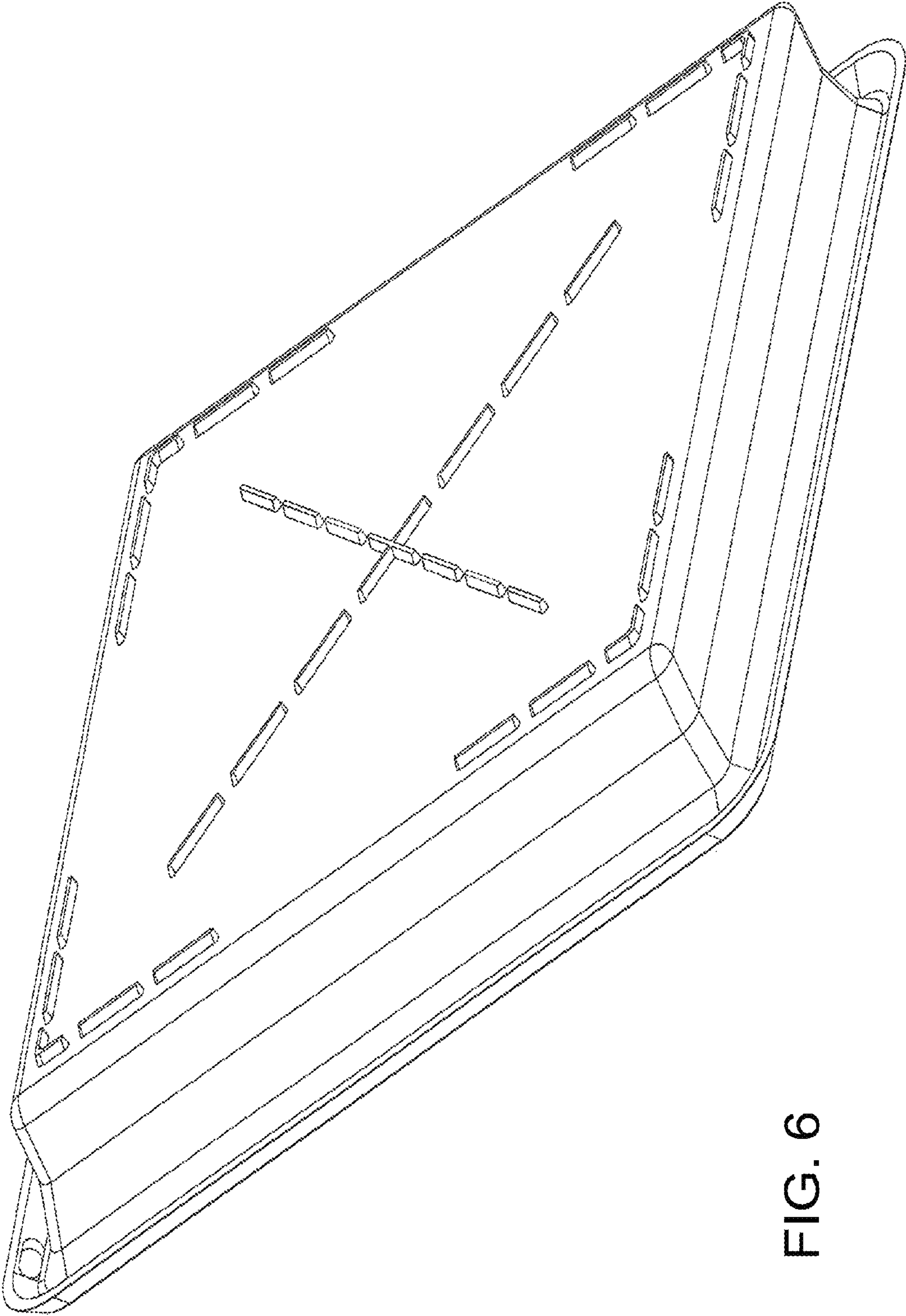


FIG. 6