



US00D718606S

(12) **United States Design Patent**  
**Ramsland et al.**

(10) **Patent No.:** **US D718,606 S**  
(45) **Date of Patent:** **\*\* Dec. 2, 2014**

(54) **CABINET HANDLE**

(71) Applicant: **Top Knobs USA, Inc.**, Hillsborough, NJ (US)

(72) Inventors: **Warren Ramsland**, Hillsborough, NJ (US); **Christine Zimmer**, Hillsborough, NJ (US)

(73) Assignee: **Top Knobs USA, Inc.**, Hillsborough, NJ (US)

(\*\*) Term: **14 Years**

(21) Appl. No.: **29/468,404**

(22) Filed: **Sep. 30, 2013**

(51) **LOC (10) Cl.** ..... **08-06**

(52) **U.S. Cl.**  
USPC ..... **D8/315**

(58) **Field of Classification Search**

USPC ..... D8/300, 302, 305, 311–321, DIG. 1, D8/DIG. 2, DIG. 10; D7/393, 394; D3/318; D6/549, 524, 533, 550; D23/250–254, D23/303, 305; D15/89; 292/347, 336.3; 211/16, 182; 220/752–754; 16/441, 16/118, 110 R, 111 R, DIG. 19, DIG. 30, 16/110.1, 412, 414–420, 443–446

See application file for complete search history.

(56) **References Cited**

U.S. PATENT DOCUMENTS

D399,406 S *	10/1998	Decursu et al. ....	D8/317
D563,198 S *	3/2008	Ricereto .....	D8/316
D574,218 S *	8/2008	Jou .....	D8/317
D587,982 S *	3/2009	Mattson et al. ....	D8/317
D588,897 S *	3/2009	Ricereto .....	D8/317
D598,270 S *	8/2009	Hanes .....	D8/317
D611,797 S *	3/2010	Koskela .....	D8/316
D664,022 S *	7/2012	Gilbert .....	D8/316
D680,414 S *	4/2013	Han .....	D8/317

\* cited by examiner

*Primary Examiner* — Mark Goodwin

(74) *Attorney, Agent, or Firm* — Schultz & Associates, P.C.

(57) **CLAIM**

The ornamental design for a cabinet handle, as shown and described.

**DESCRIPTION**

FIG. 1 is a perspective view of a cabinet handle showing my new design;

FIG. 2 is a top plan view thereof;

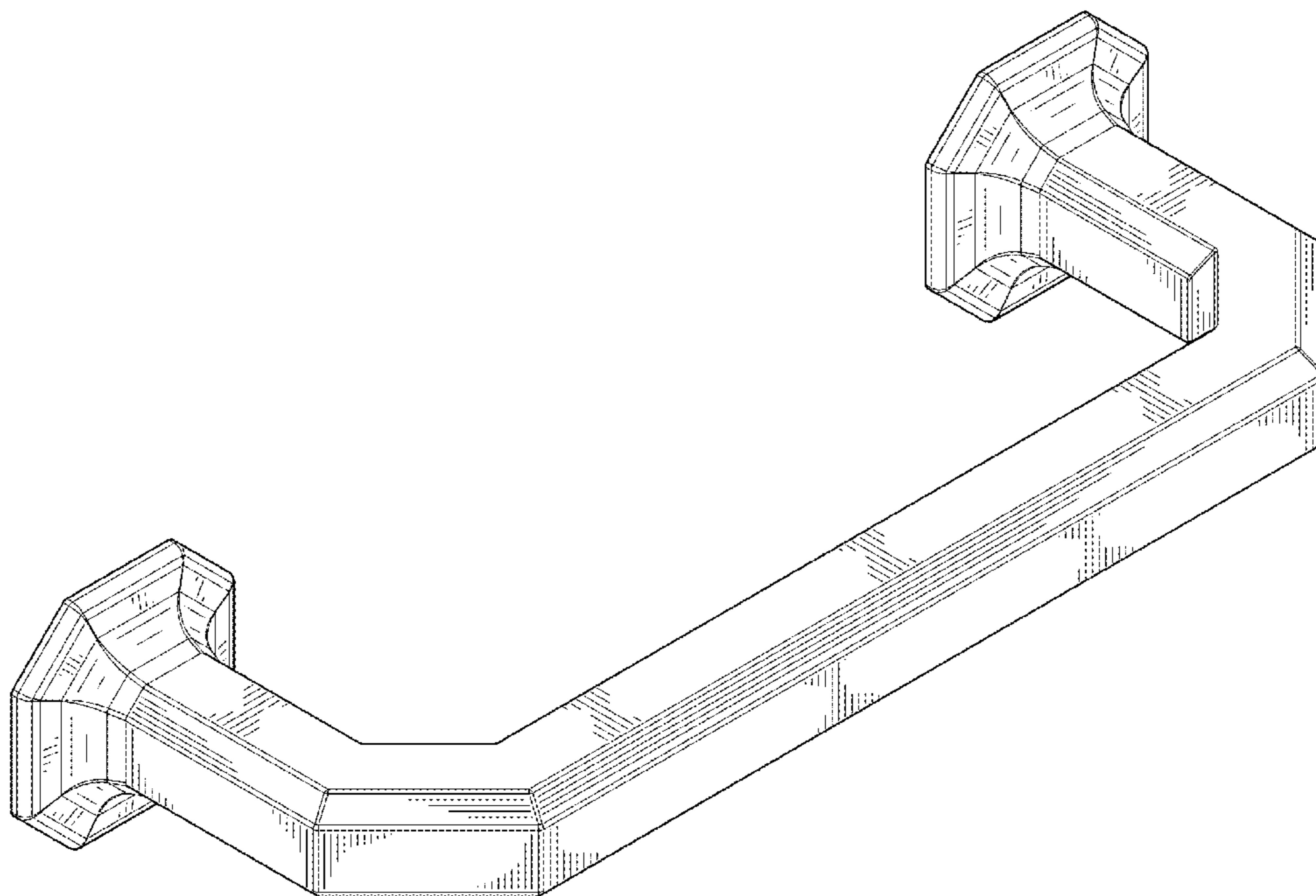
FIG. 3 is a bottom plan view thereof;

FIG. 4 is a side elevation view thereof; and,

FIG. 5 is a side elevation view thereof.

The broken lines shown represent unclaimed subject matter and form no part of the claimed design.

**1 Claim, 3 Drawing Sheets**



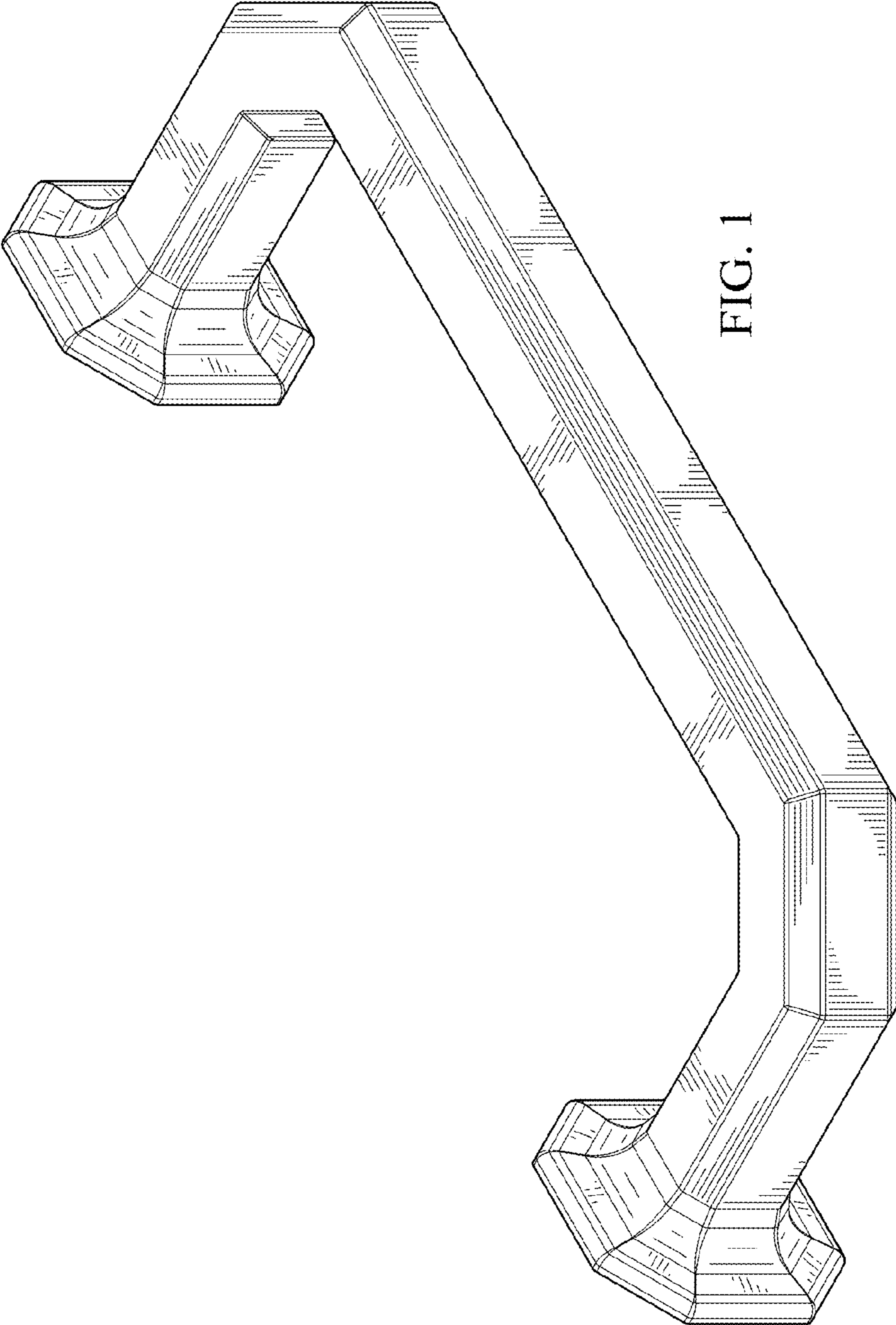


FIG. 1

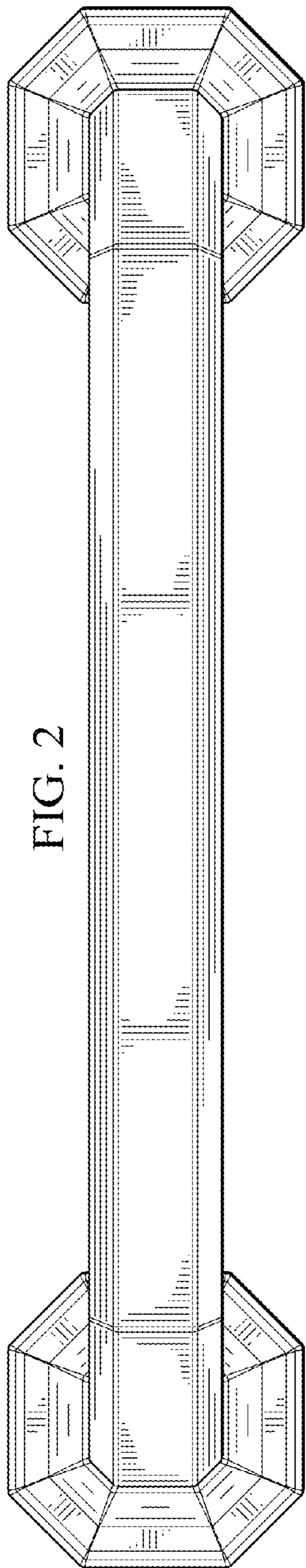


FIG. 2

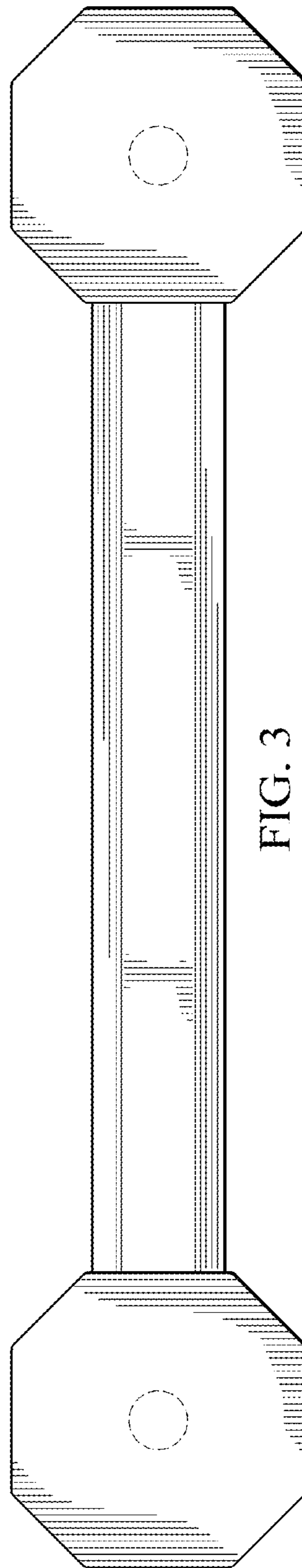


FIG. 3

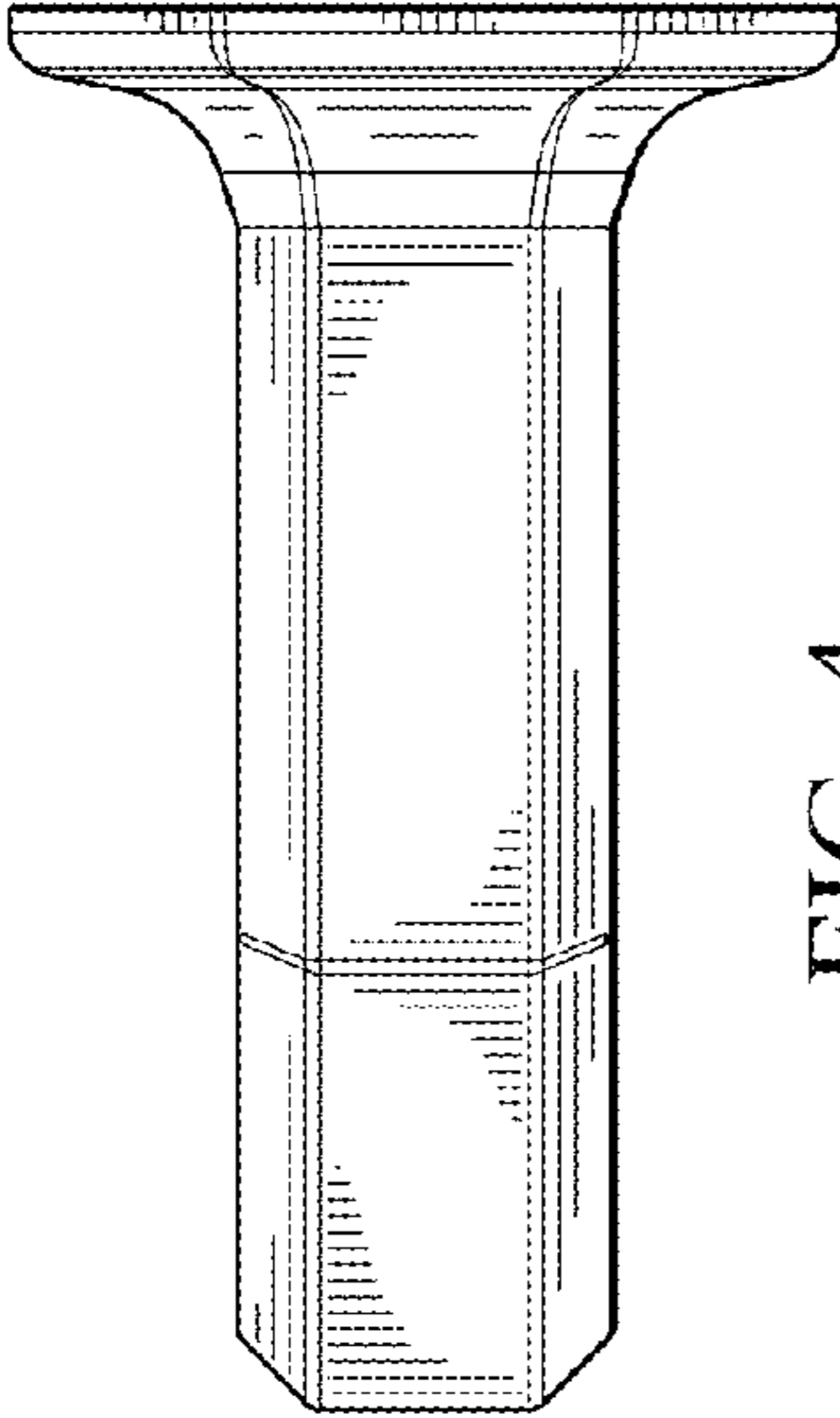


FIG. 4

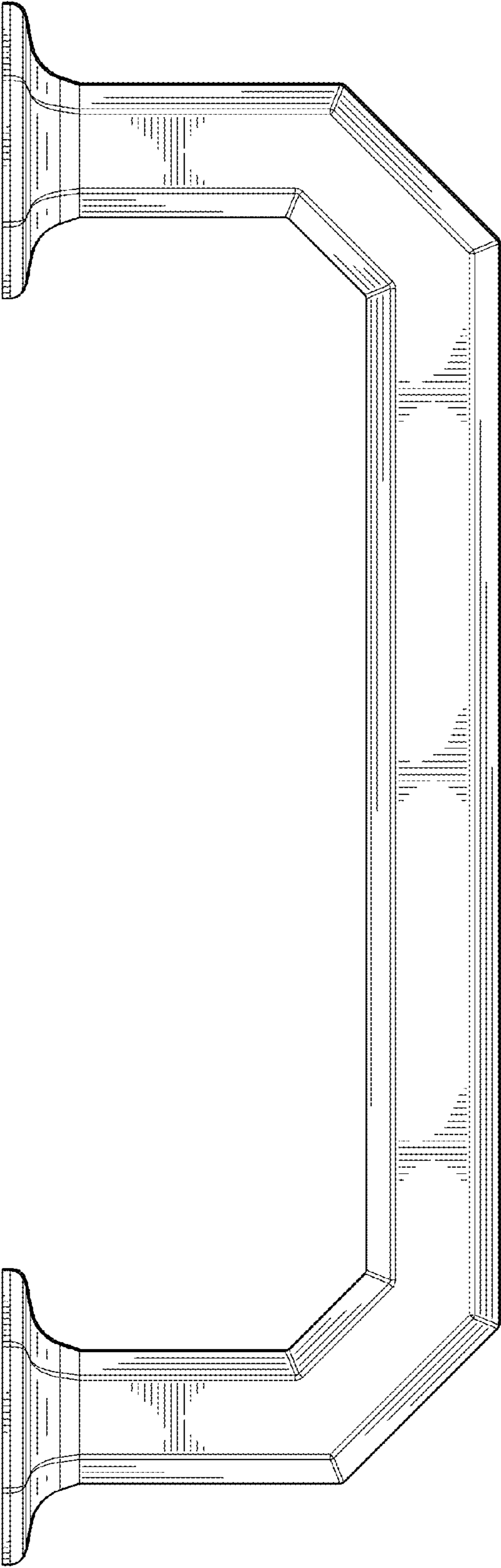


FIG. 5