



US00D718603S

(12) **United States Design Patent**
Ramsland et al.

(10) **Patent No.:** **US D718,603 S**

(45) **Date of Patent:** **** Dec. 2, 2014**

(54) **CABINET KNOB**

(71) Applicant: **Top Knobs USA, Inc.**, Hillsborough, NJ
(US)

(72) Inventors: **Warren Ramsland**, Hillsborough, NJ
(US); **Christine Zimmer**, Hillsborough,
NJ (US)

(73) Assignee: **Top Knobs USA, Inc.**, Hillsborough, NJ
(US)

(**) Term: **14 Years**

(21) Appl. No.: **29/468,401**

(22) Filed: **Sep. 30, 2013**

(51) **LOC (10) Cl.** **08-06**

(52) **U.S. Cl.**

USPC **D8/307**

(58) **Field of Classification Search**

CPC E05B 1/00

USPC D8/307, 300, 305, 310, 311, 312,
D8/DIG. 1, DIG. 2; D7/393; D11/89.9, 223;
16/110.1, 415, 417, 441, DIG. 30;
D23/250, 254; 292/336.3, 347

See application file for complete search history.

(56) **References Cited**

U.S. PATENT DOCUMENTS

D47,069	S	*	3/1915	Burns	D8/307
D72,772	S	*	5/1927	Kipper	D8/307
D152,901	S	*	3/1949	Petersen	D8/307
3,487,496	A	*	1/1970	Warbington et al.	16/414
D327,530	S	*	6/1992	Rawald	D23/250
D537,319	S	*	2/2007	Fields	D8/310
D549,544	S	*	8/2007	Mattson et al.	D8/307
D564,332	S	*	3/2008	McConnell	D8/310
D565,385	S	*	4/2008	Jou	D8/307
D579,303	S	*	10/2008	Schneider	D8/307
D588,039	S	*	3/2009	Renner	D11/89
D602,333	S	*	10/2009	Hanes	D8/307
D708,040	S	*	7/2014	Han	D8/307

* cited by examiner

Primary Examiner — Paula Greene

(74) *Attorney, Agent, or Firm* — Schultz & Associates, P.C.

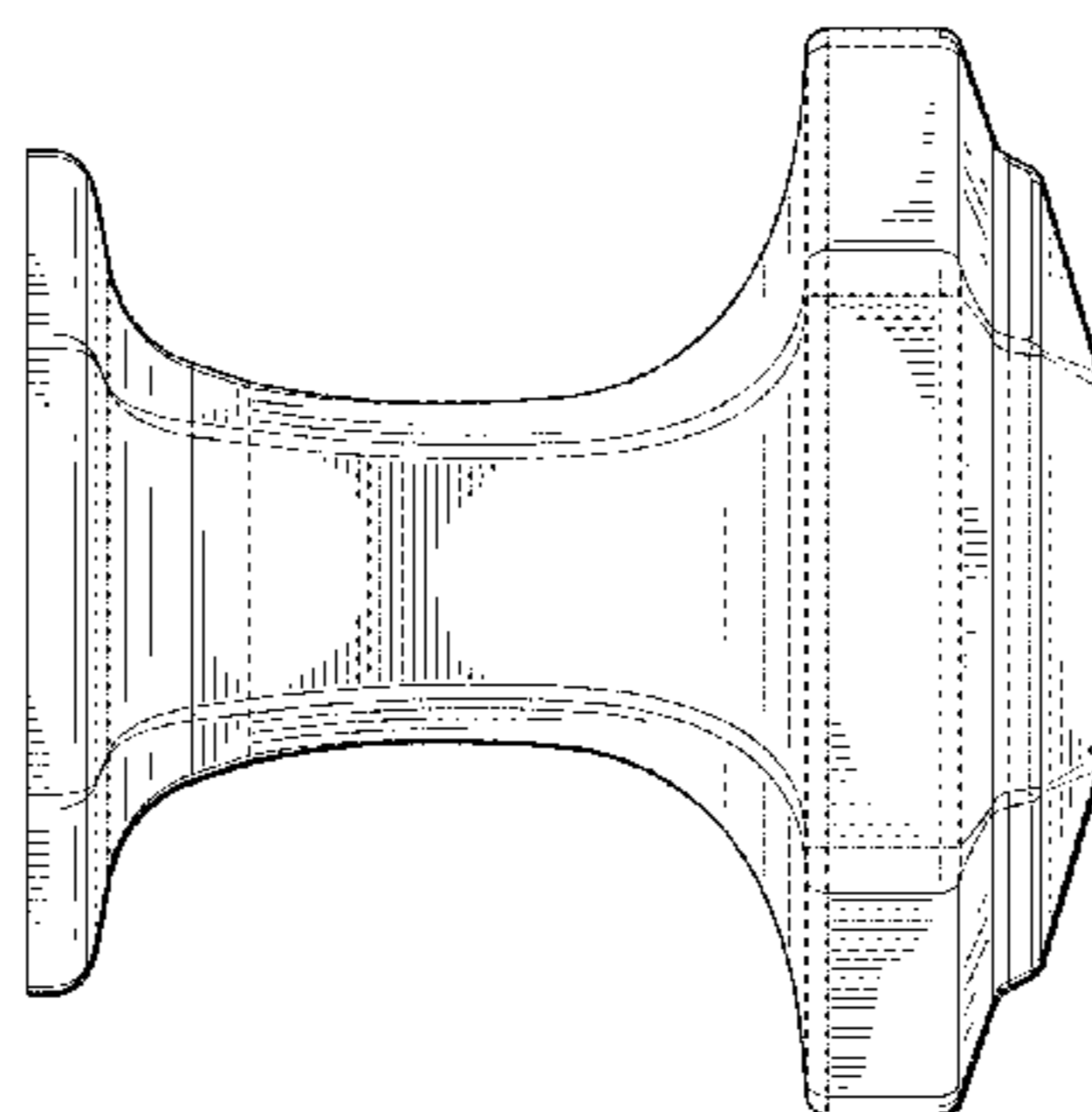
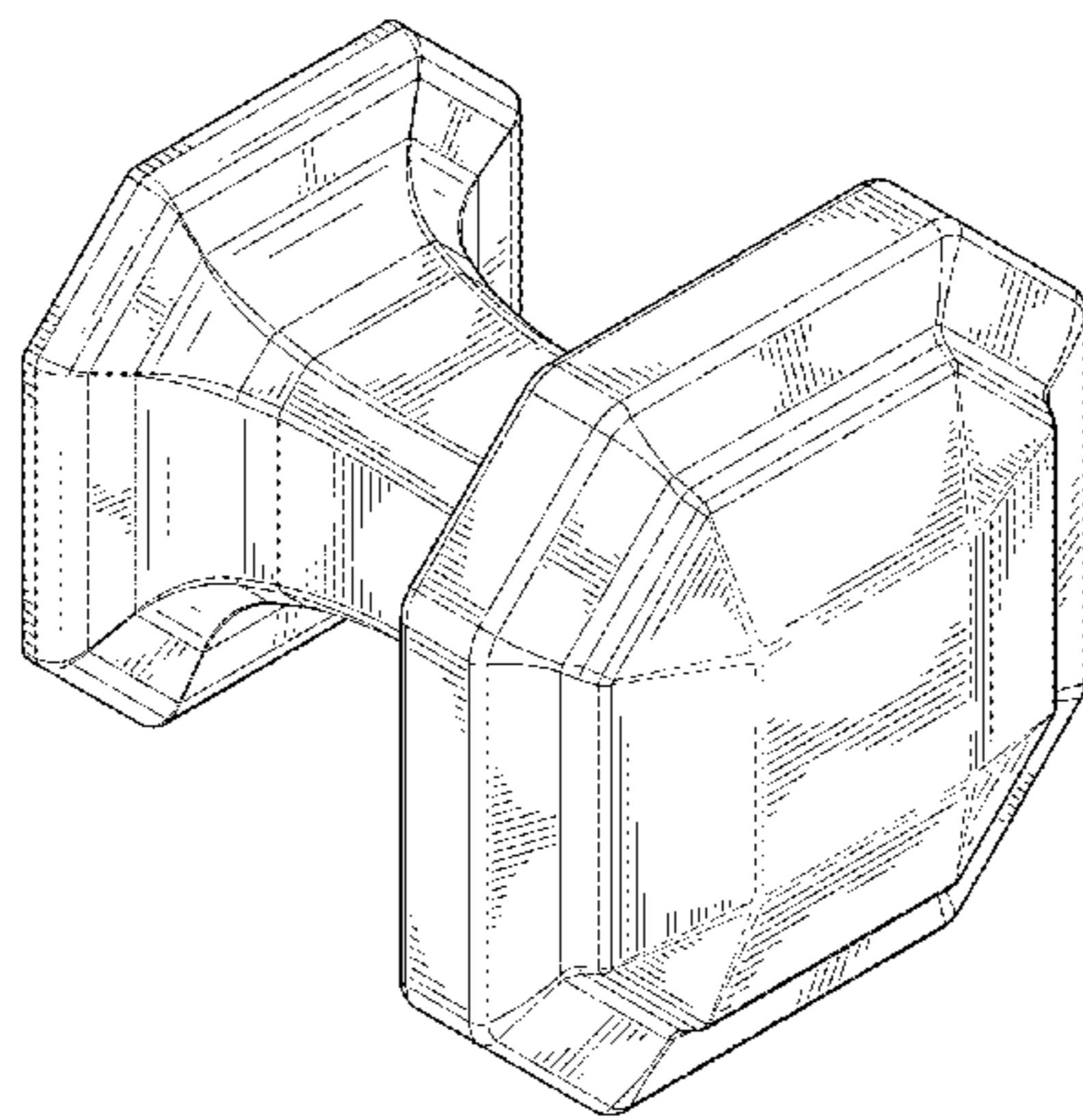
(57) **CLAIM**

The ornamental design for a cabinet knob, as shown and described.

DESCRIPTION

FIG. 1 is a perspective view of a cabinet knob showing my new design;
FIG. 2 is a side elevation view thereof;
FIG. 3 is a top plan view thereof; and,
FIG. 4 is a bottom plan view thereof.
The broken lines shown represent unclaimed subject matter and form no part of the claimed design.

1 Claim, 2 Drawing Sheets



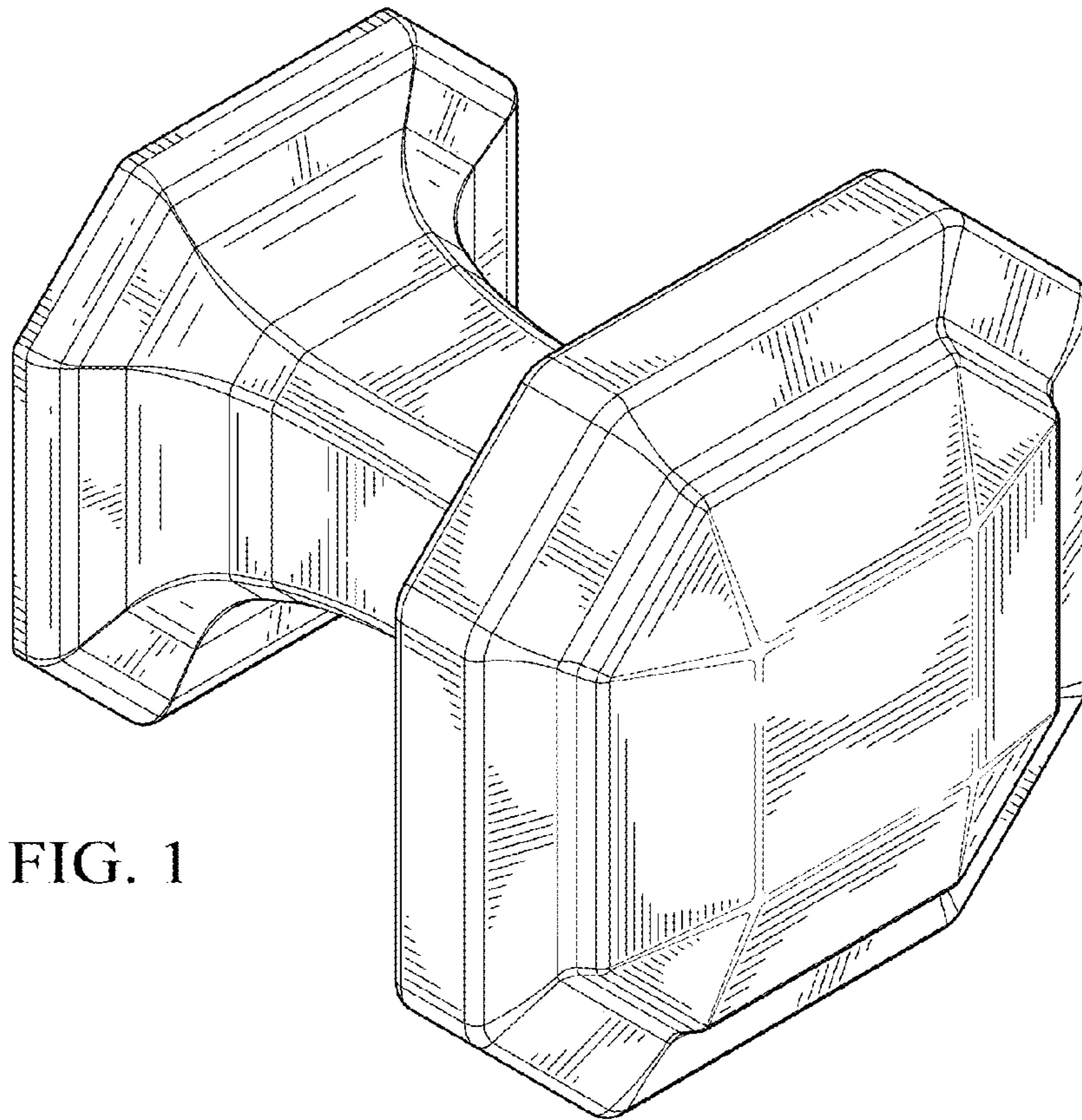


FIG. 1

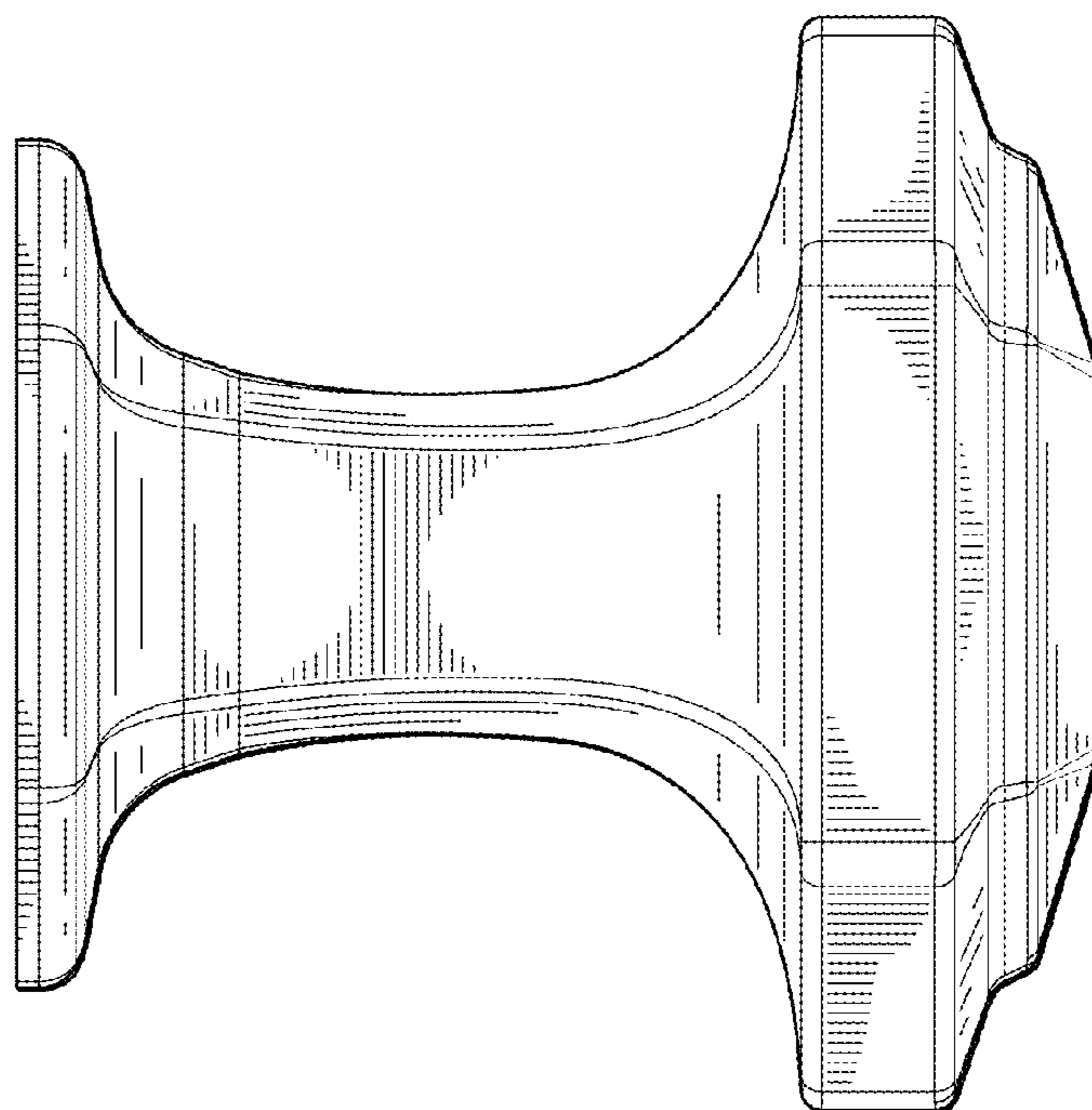


FIG. 2

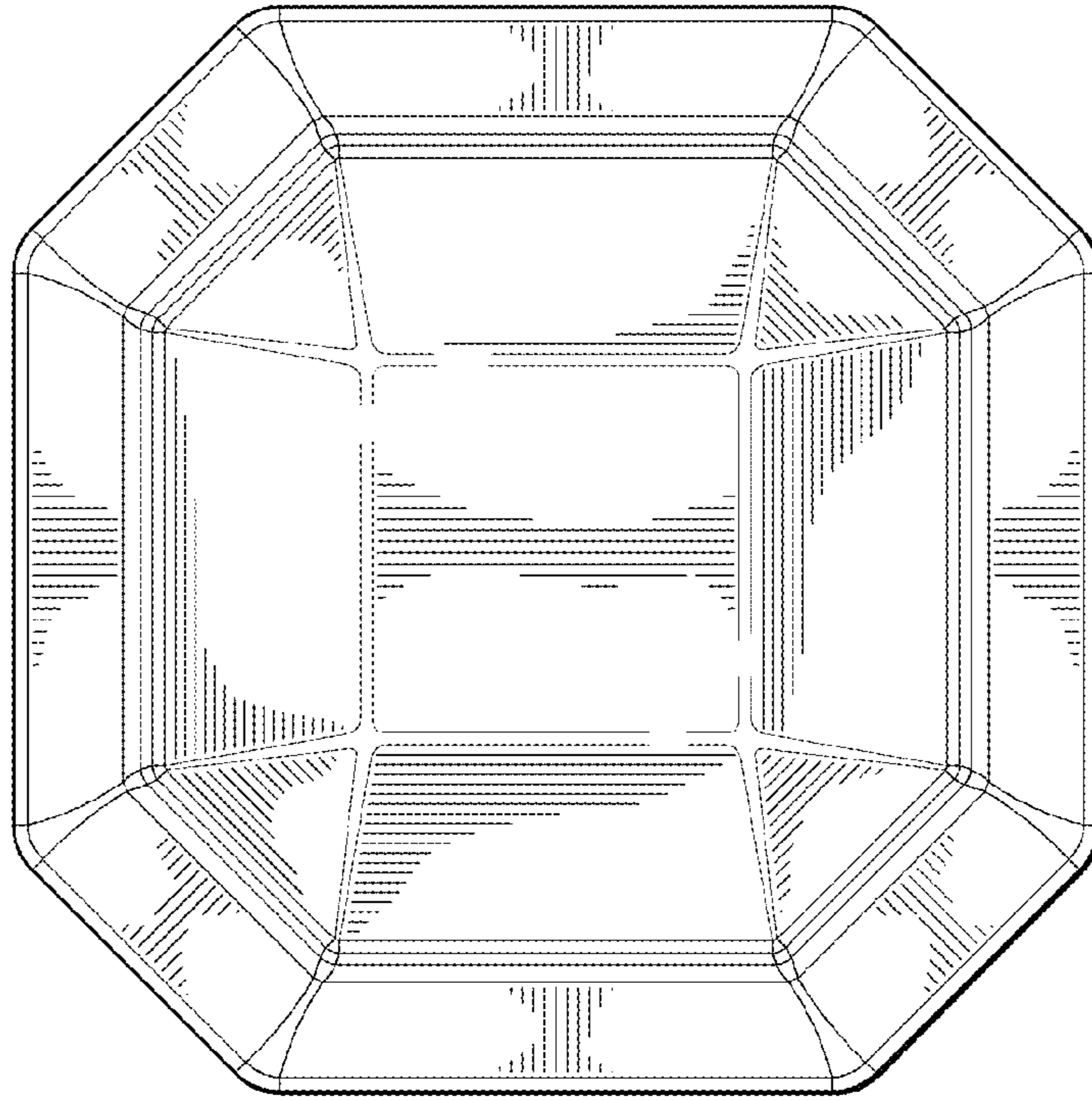


FIG. 3

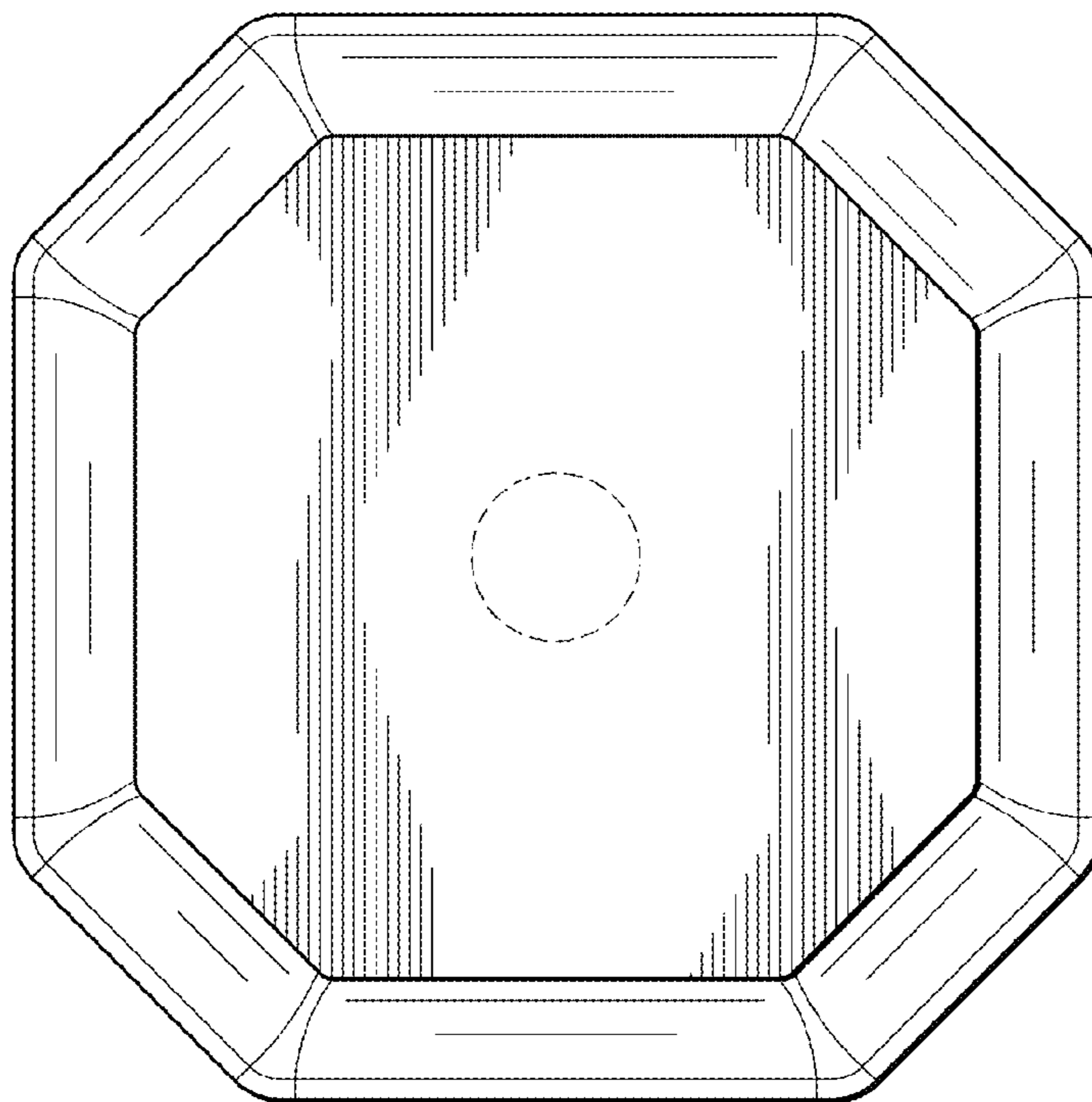


FIG. 4