



US00D718599S

(12) **United States Design Patent**
Durocher et al.

(10) **Patent No.:** **US D718,599 S**

(45) **Date of Patent:** **** Dec. 2, 2014**

(54) **DETAIL HAND VISE**

(71) Applicant: **Lee Valley Tools Ltd.**, Ottawa, Ontario (CA)

(72) Inventors: **Paul Durocher**, Ottawa (CA); **Leonard G. Lee**, Almonte (CA)

(73) Assignee: **Lee Valley Tools Ltd.**, Ottawa, Ontario (CA)

(**) Term: **14 Years**

(21) Appl. No.: **29/486,758**

(22) Filed: **Apr. 2, 2014**

(51) **LOC (10) Cl.** **08-05**

(52) **U.S. Cl.**
USPC **D8/74**

(58) **Field of Classification Search**
USPC D8/71-74, 394-399, 59; 248/63, 72, 248/74.1, 689, 124.2; 81/487, 385, 386, 81/388-390; 269/3, 4, 6, 143, 165, 240, 269/243, 246-249, 254 R, 147-149; 29/256, 29/257, 276

See application file for complete search history.

(56) **References Cited**

U.S. PATENT DOCUMENTS

320,224	A	6/1885	Colton	
1,334,971	A *	3/1920	Shore	269/3
1,473,946	A *	11/1923	Amsden et al.	269/4
1,879,058	A *	9/1932	Brockman	269/3
2,251,730	A *	8/1941	Caldwell	269/3
2,662,432	A *	12/1953	Peitl	269/239
D254,835	S *	4/1980	Bass	D8/74

D282,143	S *	1/1986	Tarquinio	D8/74
D333,963	S *	3/1993	Goodman	D8/74
D355,104	S *	2/1995	Sorensen et al.	D8/72
D365,263	S *	12/1995	Sorensen et al.	D8/72
D471,070	S *	3/2003	Howell	D8/72
D680,843	S *	4/2013	Onello et al.	D8/74
D705,031	S *	5/2014	Zhang et al.	D8/74

OTHER PUBLICATIONS

Antique Vise
Antique Vise, http://www.jonzimmersantiquetools.com/show/vise_2.jpg.

* cited by examiner

Primary Examiner — David Muller

(74) *Attorney, Agent, or Firm* — John S. Pratt; Megan E. Bussey; Kilpatrick Townsend & Stockton LLP

(57) **CLAIM**

The ornamental design for a detail hand vise, as shown and described.

DESCRIPTION

FIG. 1 is an isometric view of the top, front and right side of the design for the detail hand vise of this invention.

FIG. 2 is a left side view of the detail hand vise shown in FIG. 1, of which the right side view is a mirror image.

FIG. 3 is a front view of the detail hand vise shown in FIG. 1.

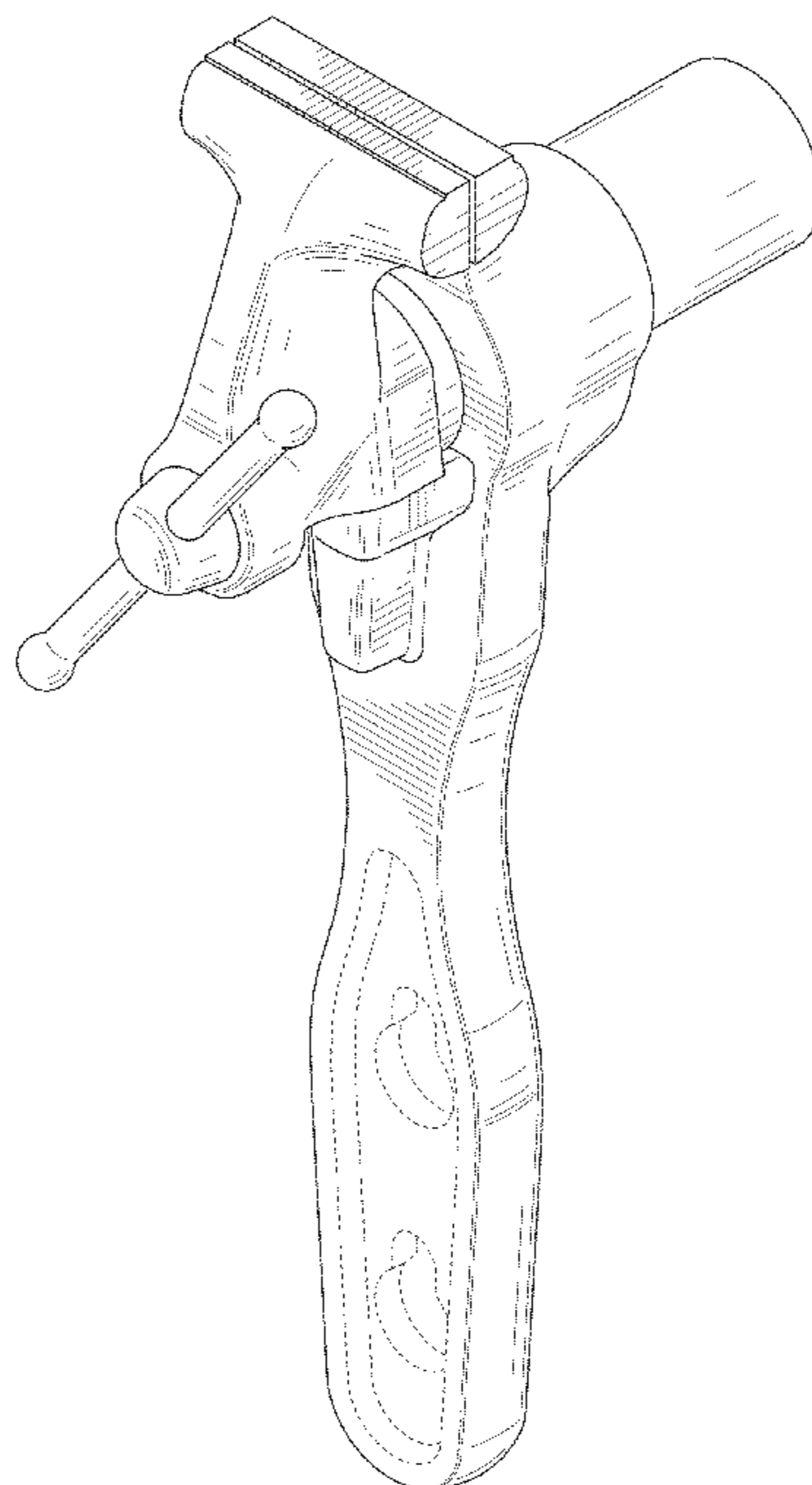
FIG. 4 is a rear view of the detail hand vise shown in FIG. 1.

FIG. 5 is a top view of the detail hand vise shown in FIG. 1; and,

FIG. 6 is a bottom view of the detail hand vise shown in FIG. 1.

The portions of the figures shown in broken lines form no part of the claimed design.

1 Claim, 5 Drawing Sheets



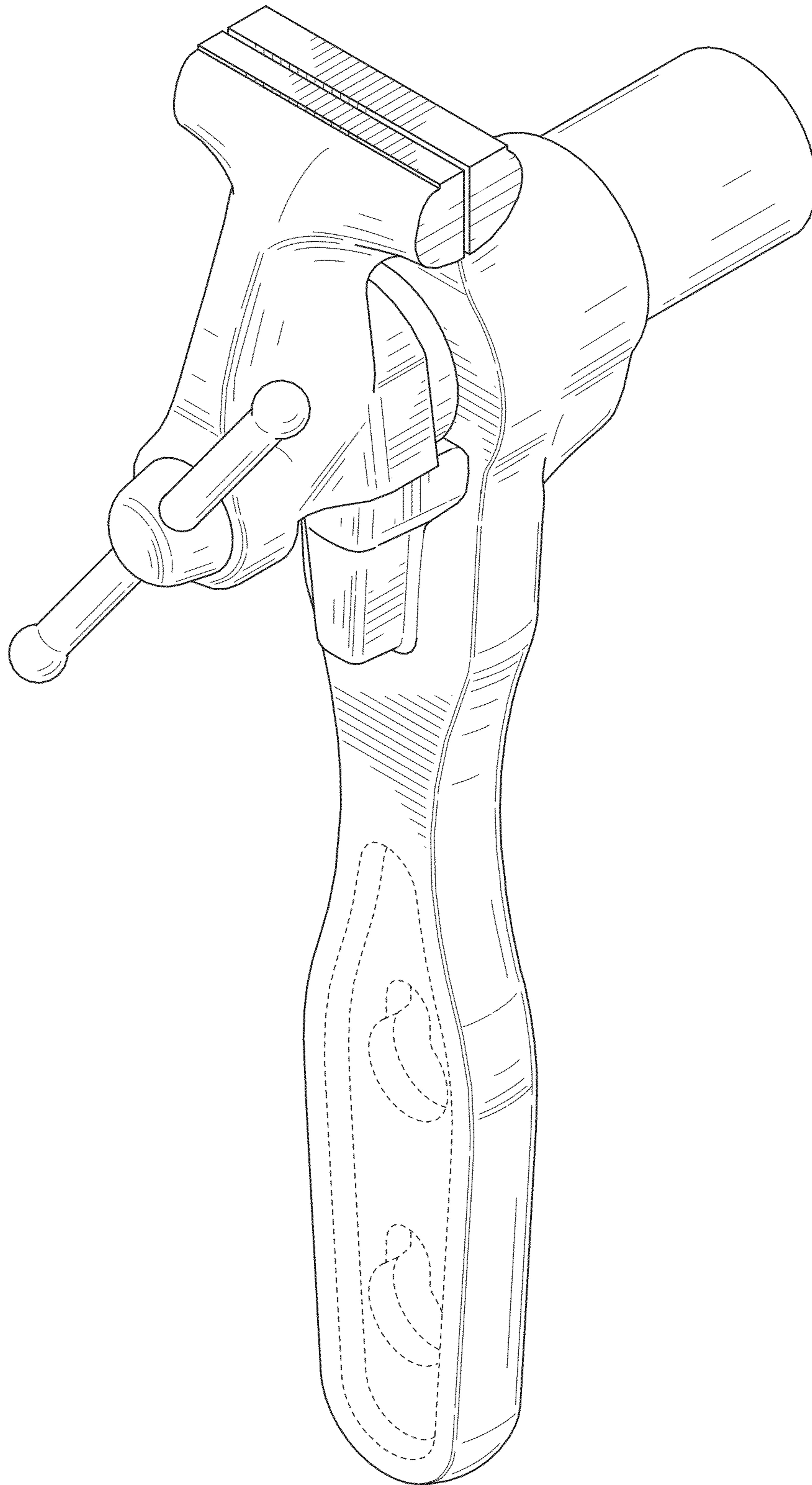


FIG. 1

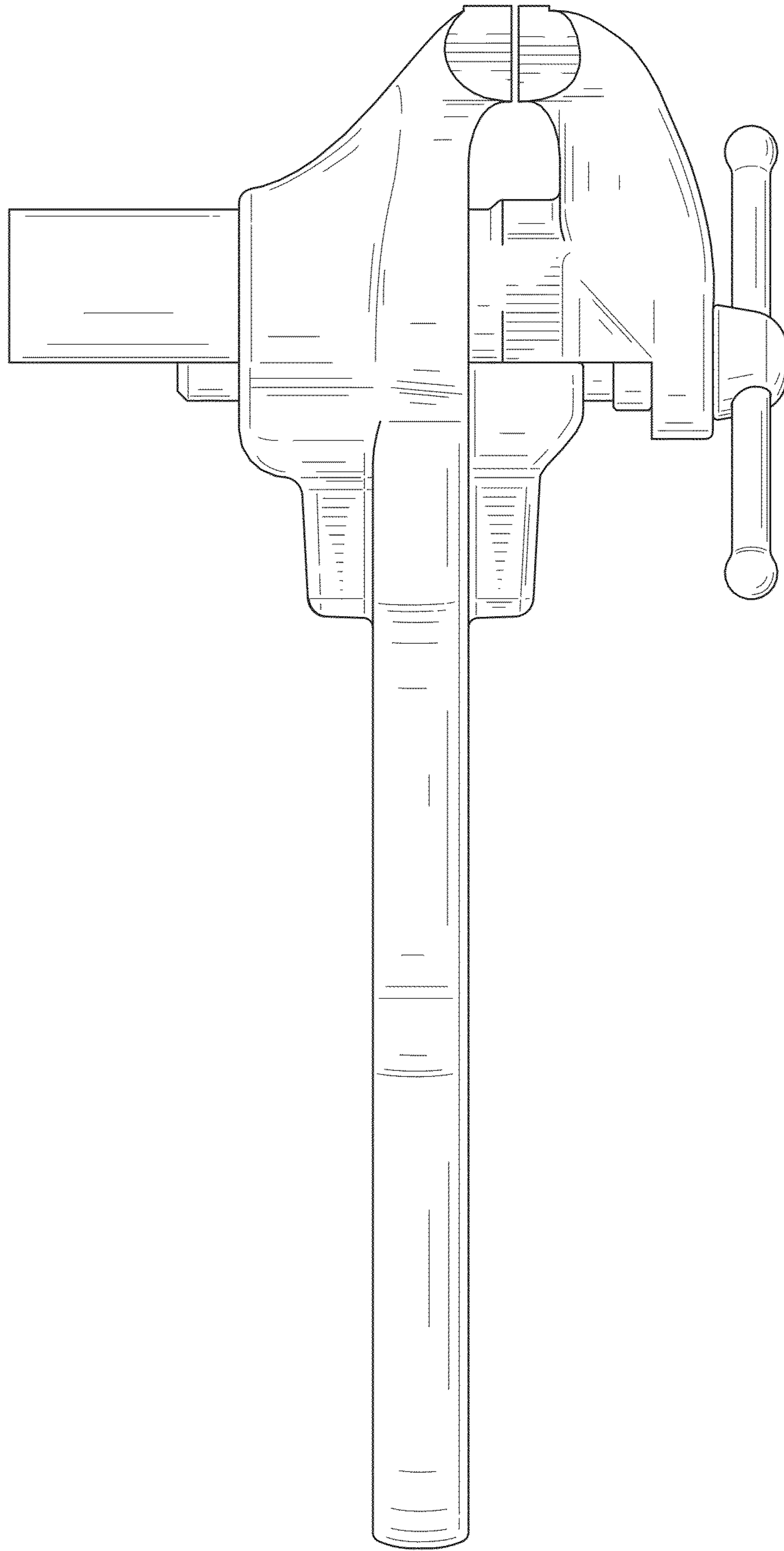


FIG. 2

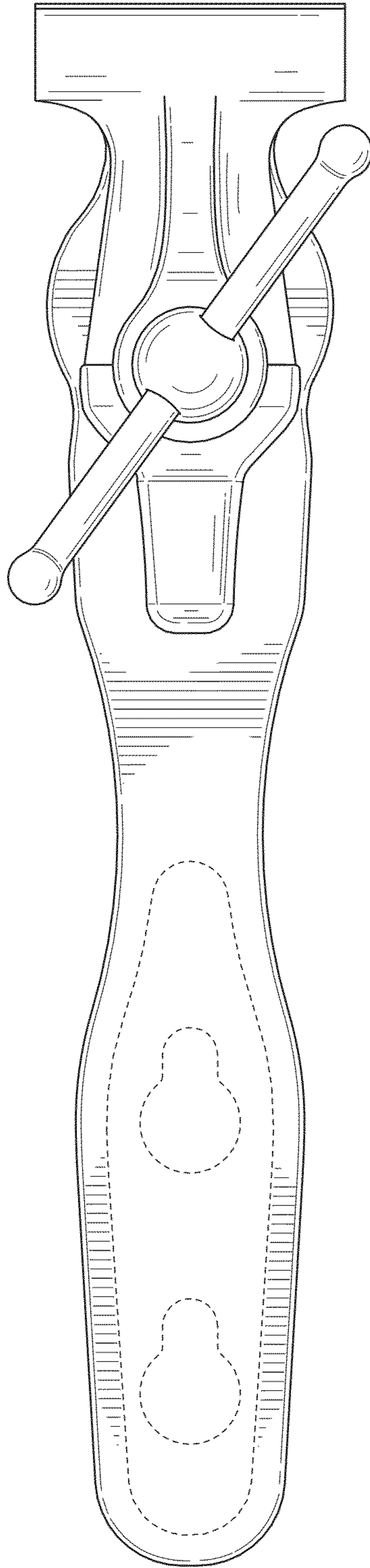


FIG. 3

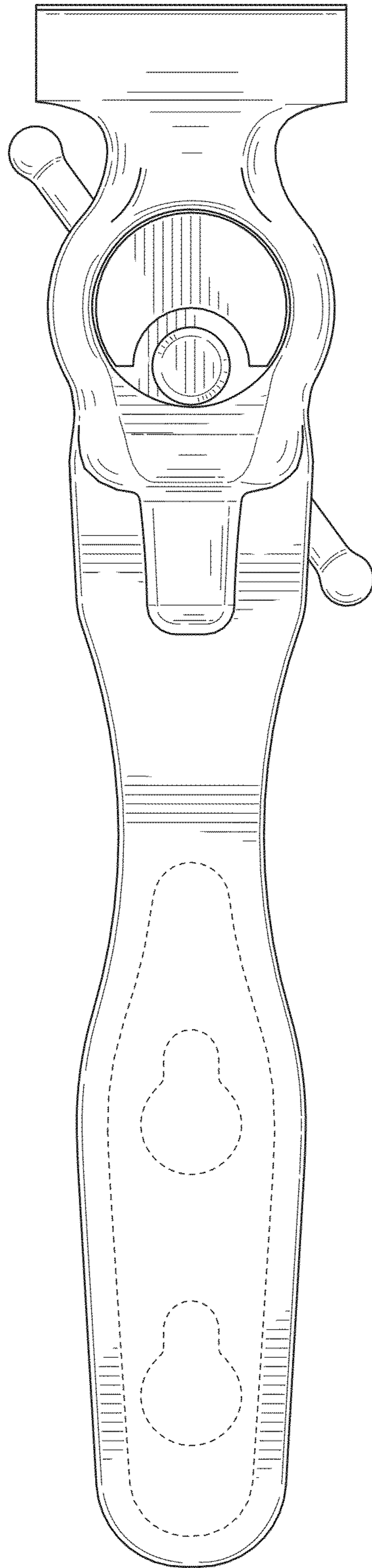


FIG. 4

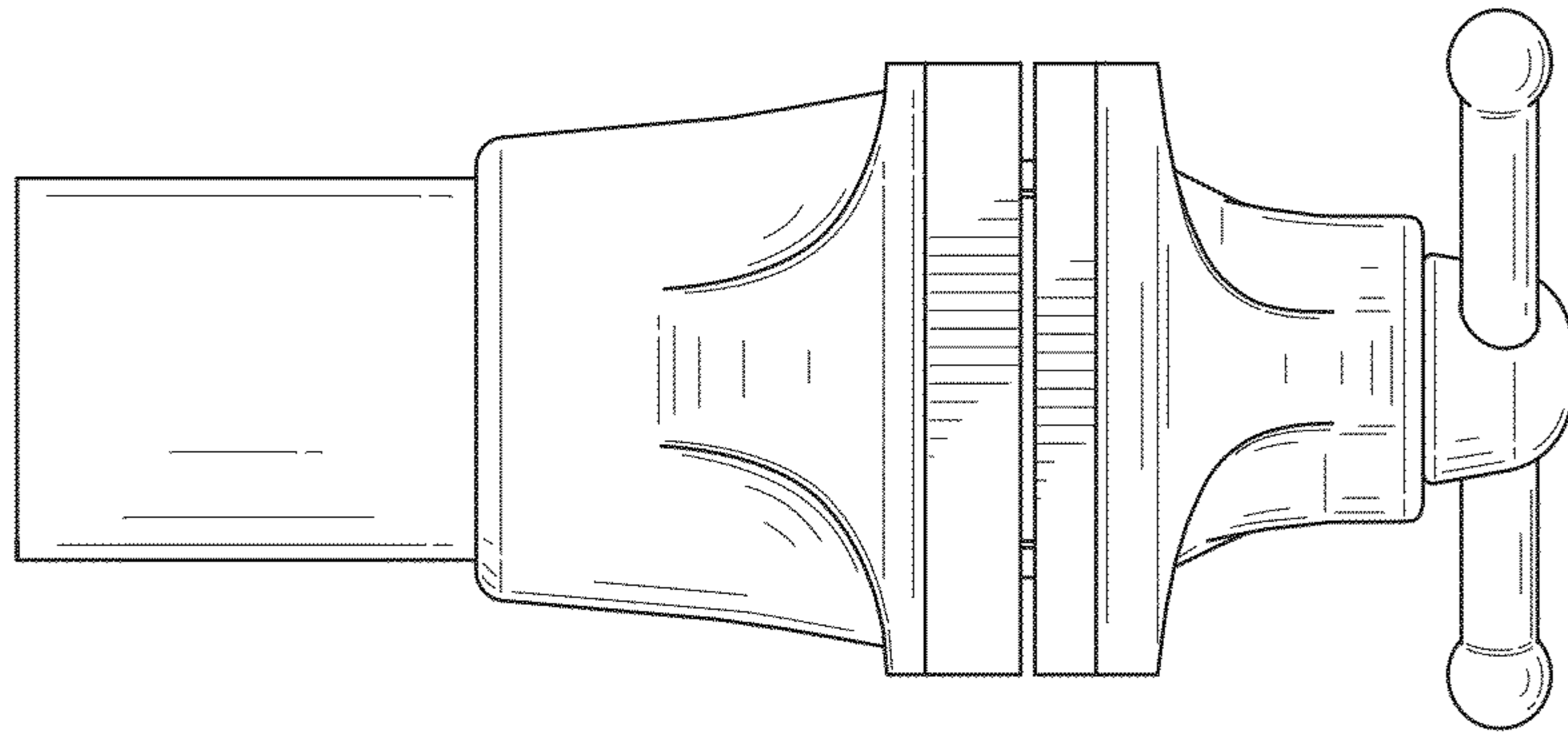


FIG. 5

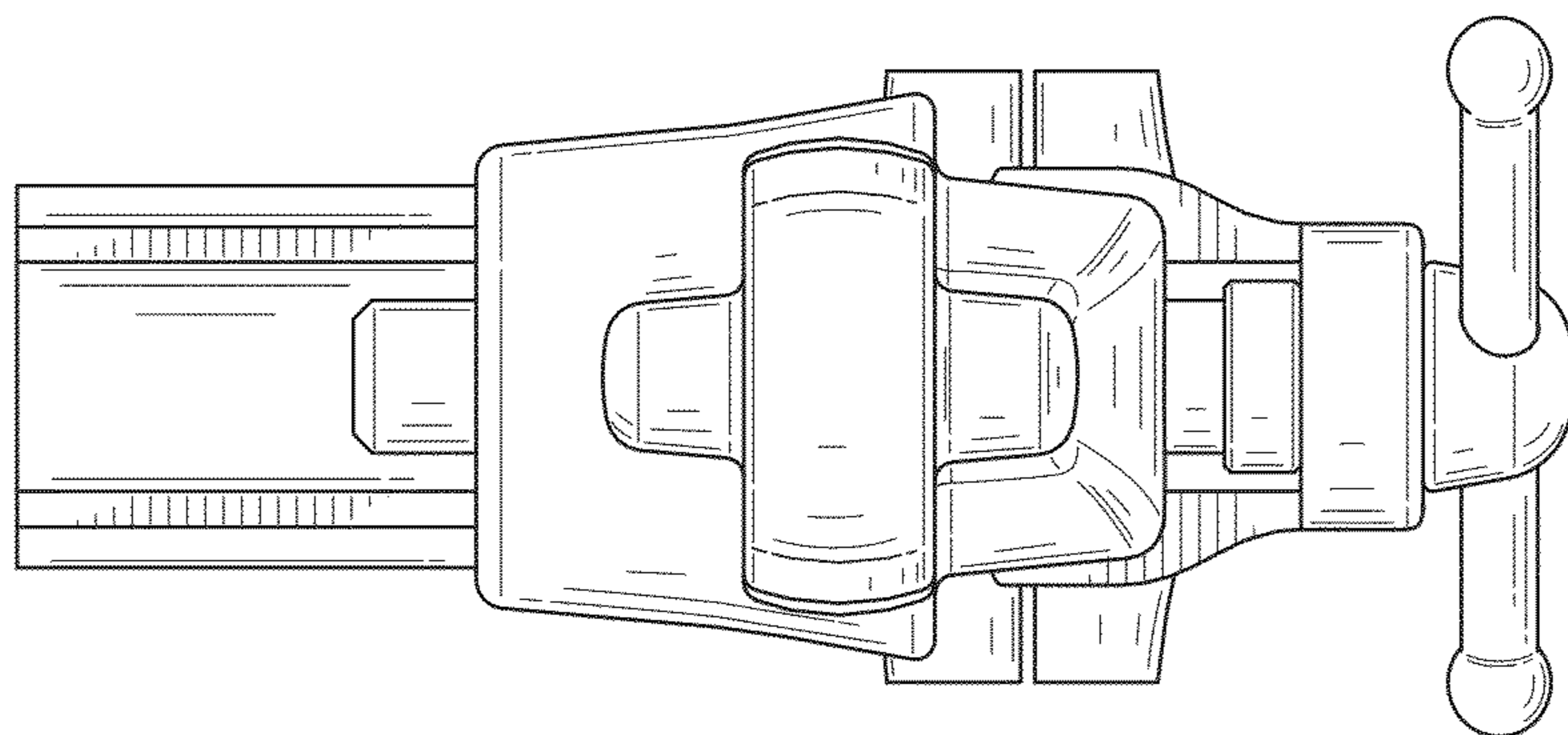


FIG. 6