



US00D718598S

(12) **United States Design Patent**
Moreau et al.

(10) **Patent No.:** **US D718,598 S**

(45) **Date of Patent:** **** Dec. 2, 2014**

(54) **TOOL HOLDER WITH TABS**

(71) Applicant: **Ty-Flot, Inc.**, Manchester, NH (US)

(72) Inventors: **Darrell A. Moreau**, Manchester, NH (US); **Andre W. Moreau**, Spring Hill, FL (US)

(73) Assignee: **Ty-Flot, Inc.**, Manchester, NH (US)

(**) Term: **14 Years**

(21) Appl. No.: **29/465,886**

(22) Filed: **Sep. 3, 2013**

(51) **LOC (10) Cl.** **08-05**

(52) **U.S. Cl.**
USPC **D8/71**

(58) **Field of Classification Search**
USPC D8/14.1, 64, 66, 70, 71, 72, 73, 74, 107, D8/349, 354, 373; D15/130, 132, 138, D15/139, 140, 141; D7/393, 401.2, 642; D9/434, 435, 436, 446, 454, 499; D21/756; 33/474, 533, 613; 81/177.1, 81/177.4, 437, 438, 439, 490; 82/161; 83/581, 760, 762, 763, 764, 766; 142/48, 49, 55; 211/60.1, 70.6; 248/80, 248/153, 175, 176.1, 201, 304, 309.1, 312, 248/312.1, 315, 316.8; 269/41, 42, 283; 16/110.1

See application file for complete search history.

(56) **References Cited**

U.S. PATENT DOCUMENTS

D87,322	S	*	7/1932	Zook	D26/41
D101,771	S	*	11/1936	Glock	D26/41
4,432,663	A		2/1984	Lasak et al.		
D342,449	S	*	12/1993	Mattheis	D9/446
D373,295	S	*	9/1996	DiResta	D8/71
D398,503	S	*	9/1998	DiResta	D8/71
6,216,319	B1		4/2001	Elkins		

6,487,756	B1	*	12/2002	Vidal, Jr.	24/3.1
D482,948	S	*	12/2003	Monahan	D8/71
D487,809	S	*	3/2004	Leung et al.	D26/40
D537,967	S	*	3/2007	Lo et al.	D26/40
7,270,289	B2		9/2007	Kish		
D643,703	S	*	8/2011	Koehn	D8/367

(Continued)

OTHER PUBLICATIONS

“Grip-Fit™ Universal Swivel Cup Tether Attachments.” Ty-Flot Cutting Edge Prevention., Jan. 9, 2014 [online], [retrieved on Mar. 26, 2014]. Retrieved from the Internet <URL: <http://shop.ty-flot.com/new-products/grip-fittm-universal-swivel-cup-tether-attachments.html>>.*

(Continued)

Primary Examiner — Philip S Hyder

Assistant Examiner — Darlington Ly

(74) *Attorney, Agent, or Firm* — Mesmer & Deleault, PLLC

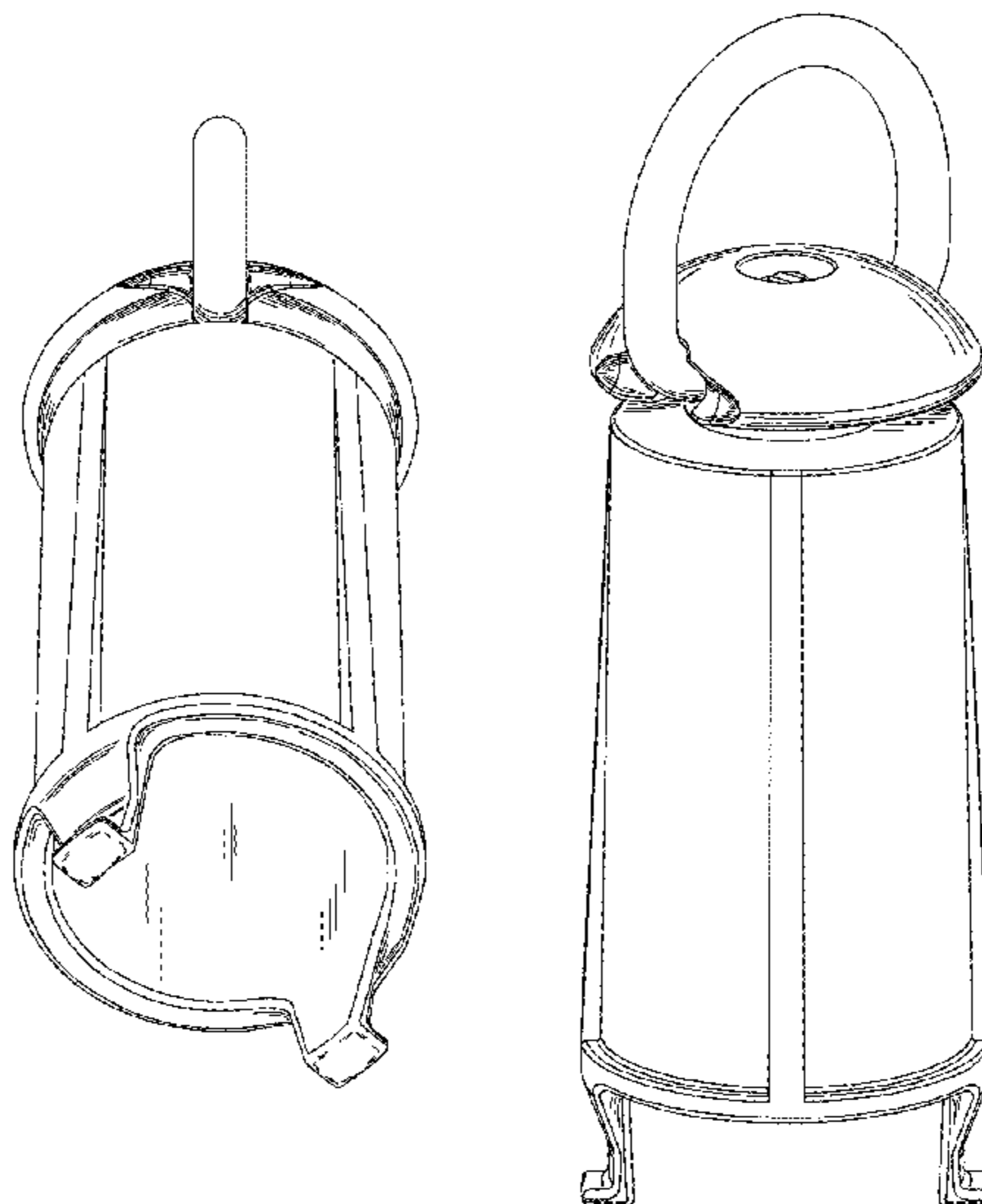
(57) **CLAIM**

We claim the ornamental design for a tool holder with tabs, as shown and described.

DESCRIPTION

FIG. 1 is a front elevation view of a tool holder with tabs showing our new design;
FIG. 2 is a side elevation view thereof;
FIG. 3 is a bottom perspective view thereof;
FIG. 4 is a bottom perspective view thereof as seen at an alternate angle;
FIG. 5 is a bottom plan view thereof;
FIG. 6 is a top plan view thereof;
FIG. 7 is a top and left side perspective view thereof; and,
FIG. 8 is a top and right side perspective view thereof.
The broken lines shown in the drawings illustrate portions of the tool holder with tabs that forms no part of the claimed design.

1 Claim, 3 Drawing Sheets



(56)

References Cited

U.S. PATENT DOCUMENTS

D648,055 S * 11/2011 Poon D26/41
8,403,132 B2 * 3/2013 Moreau et al. 206/234
2010/0229347 A1 9/2010 Kish
2010/0327029 A1 * 12/2010 Kahn 224/183

OTHER PUBLICATIONS

“Ty-Flot Product Catalog.” Ty-Flot Cutting Edge Prevention., Jan. 9, 2014 [online], [retrieved on Mar. 26, 2014]. Retrieved from the Internet <URL: <http://www.ty-flot.com/catalog.pdf>>.*

* cited by examiner

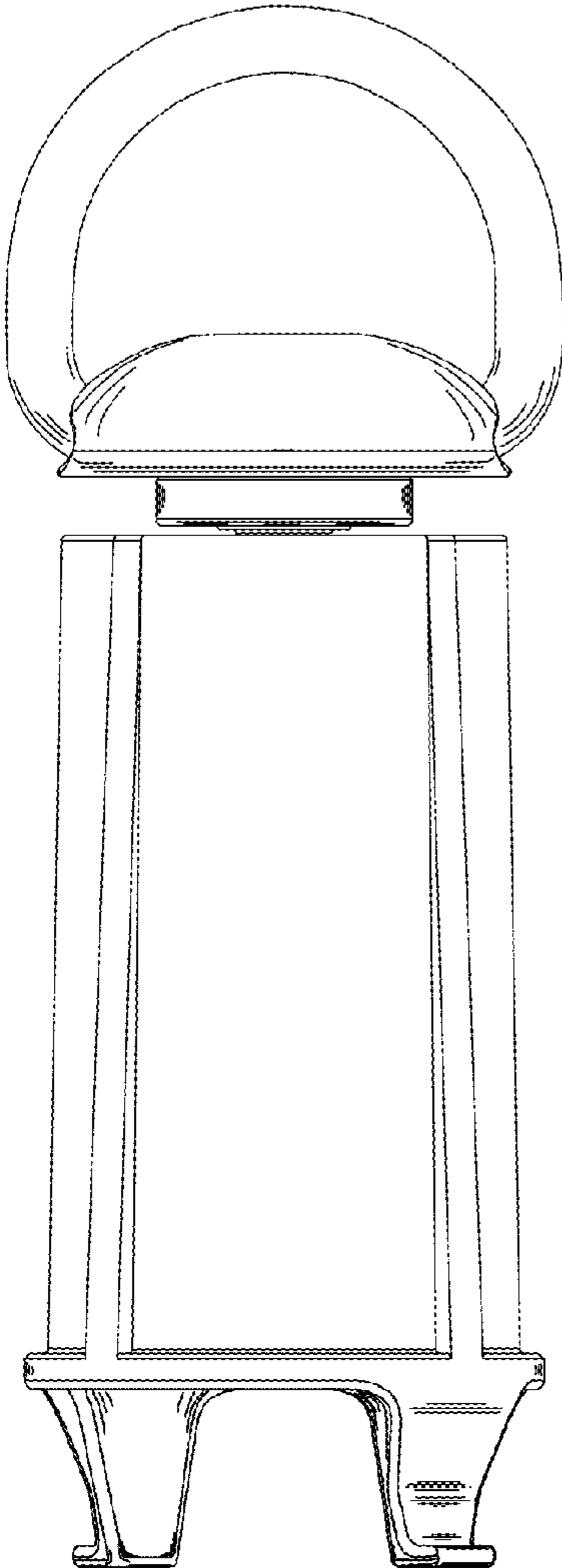


Fig. 1

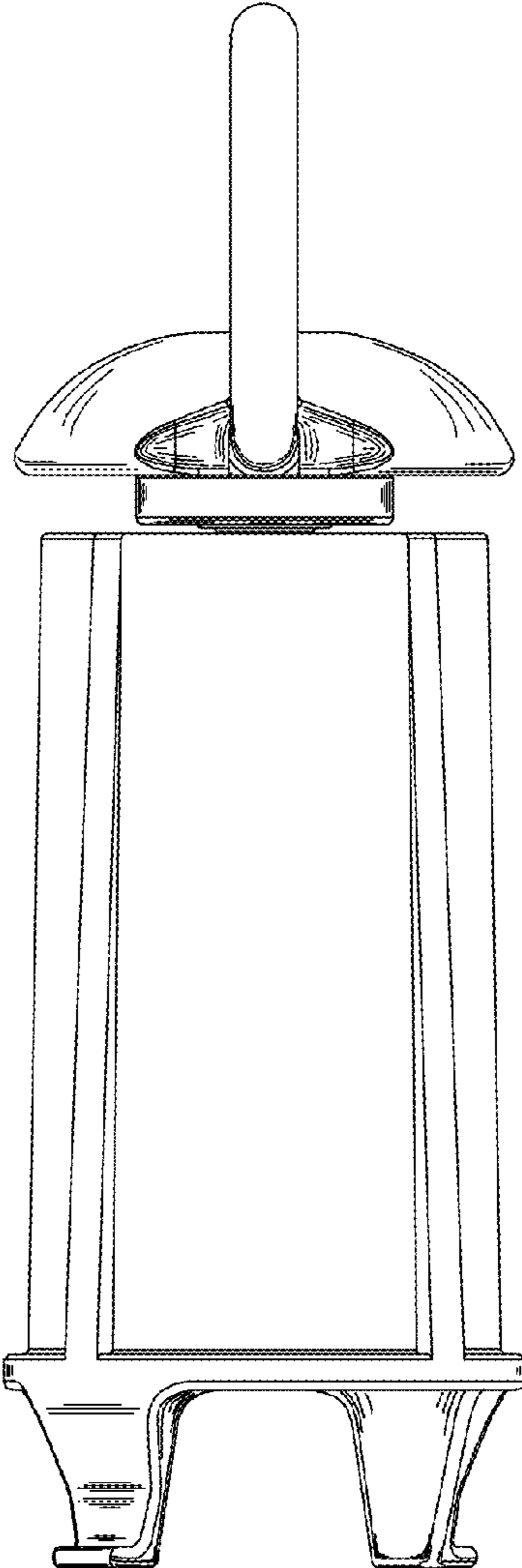


Fig. 2

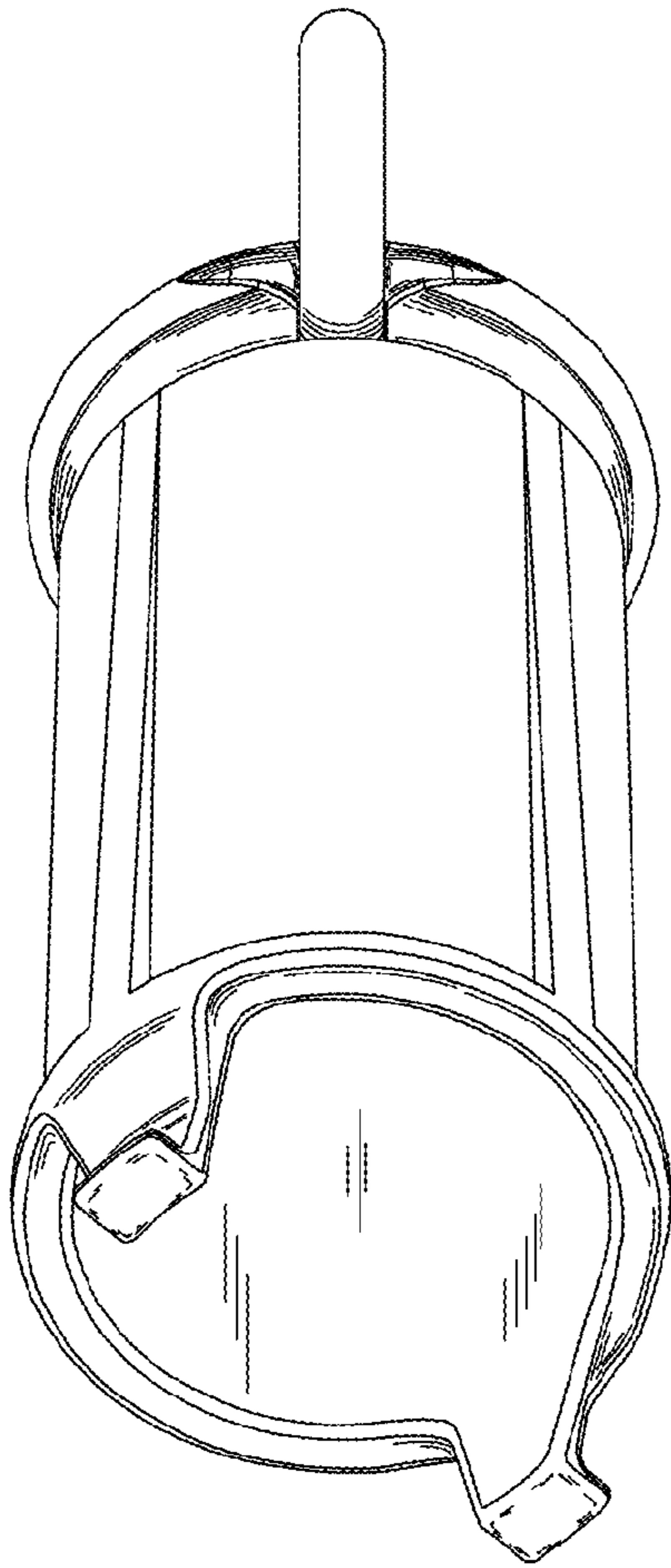


Fig. 3

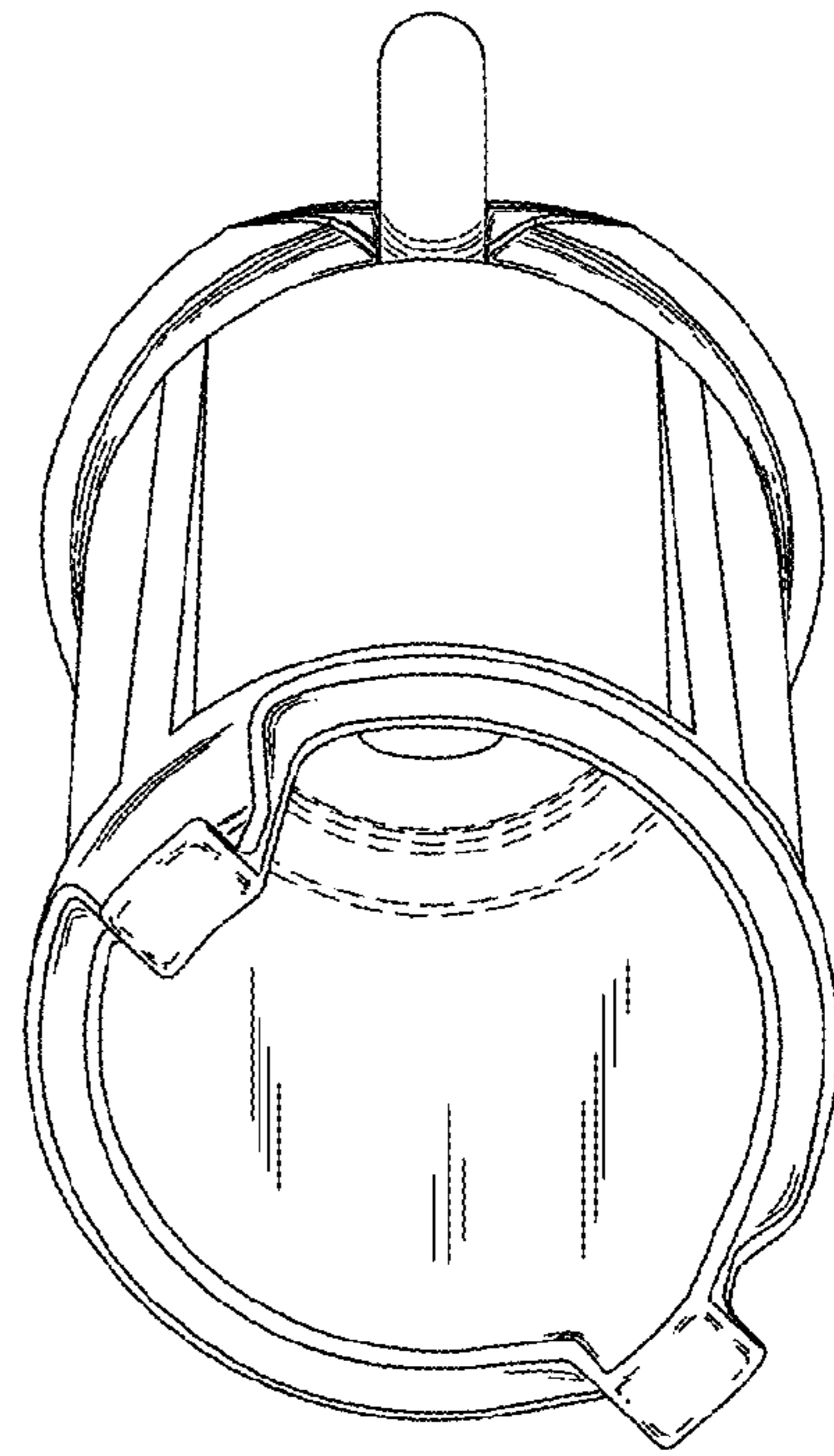


Fig. 4

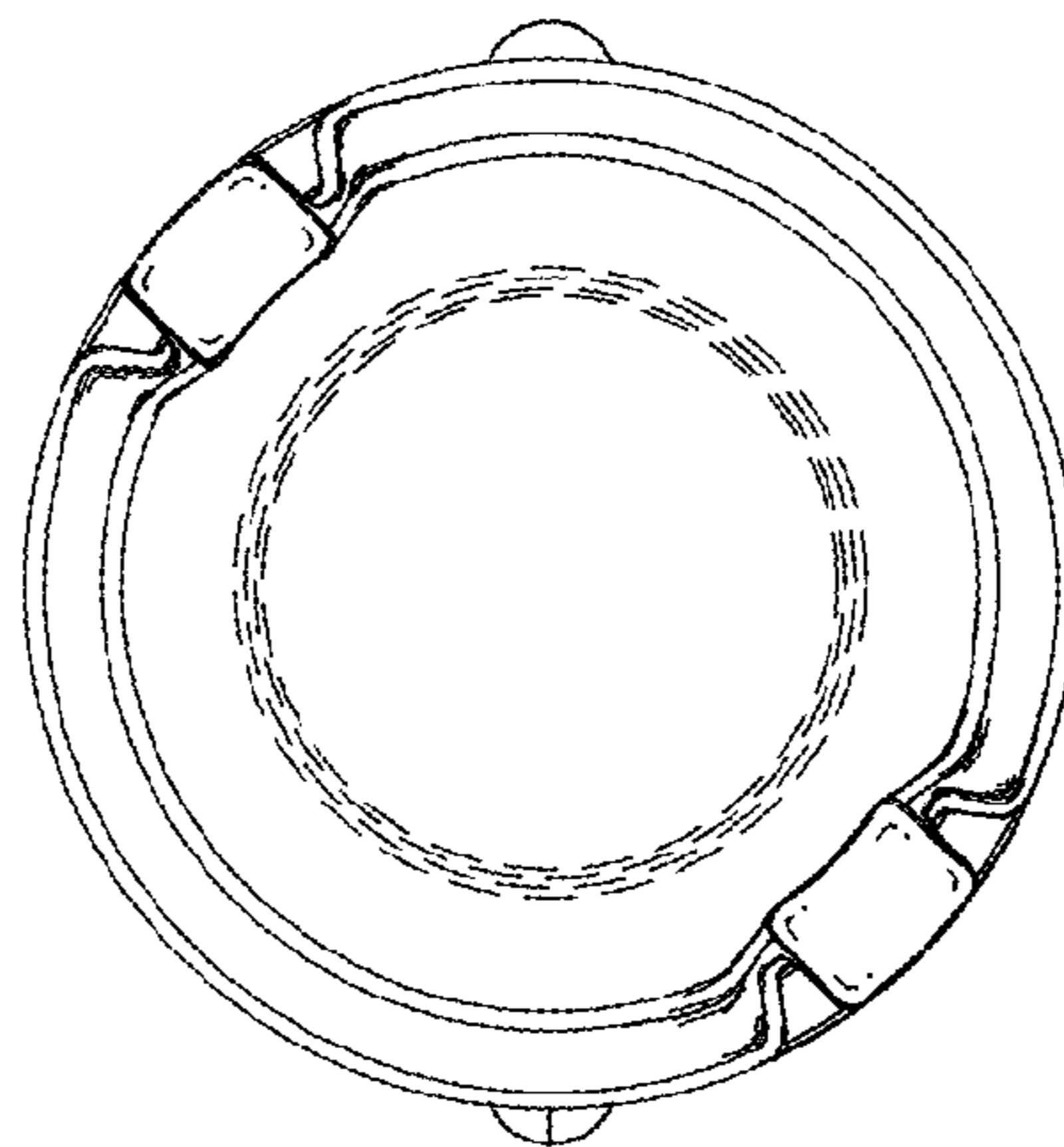


Fig. 5

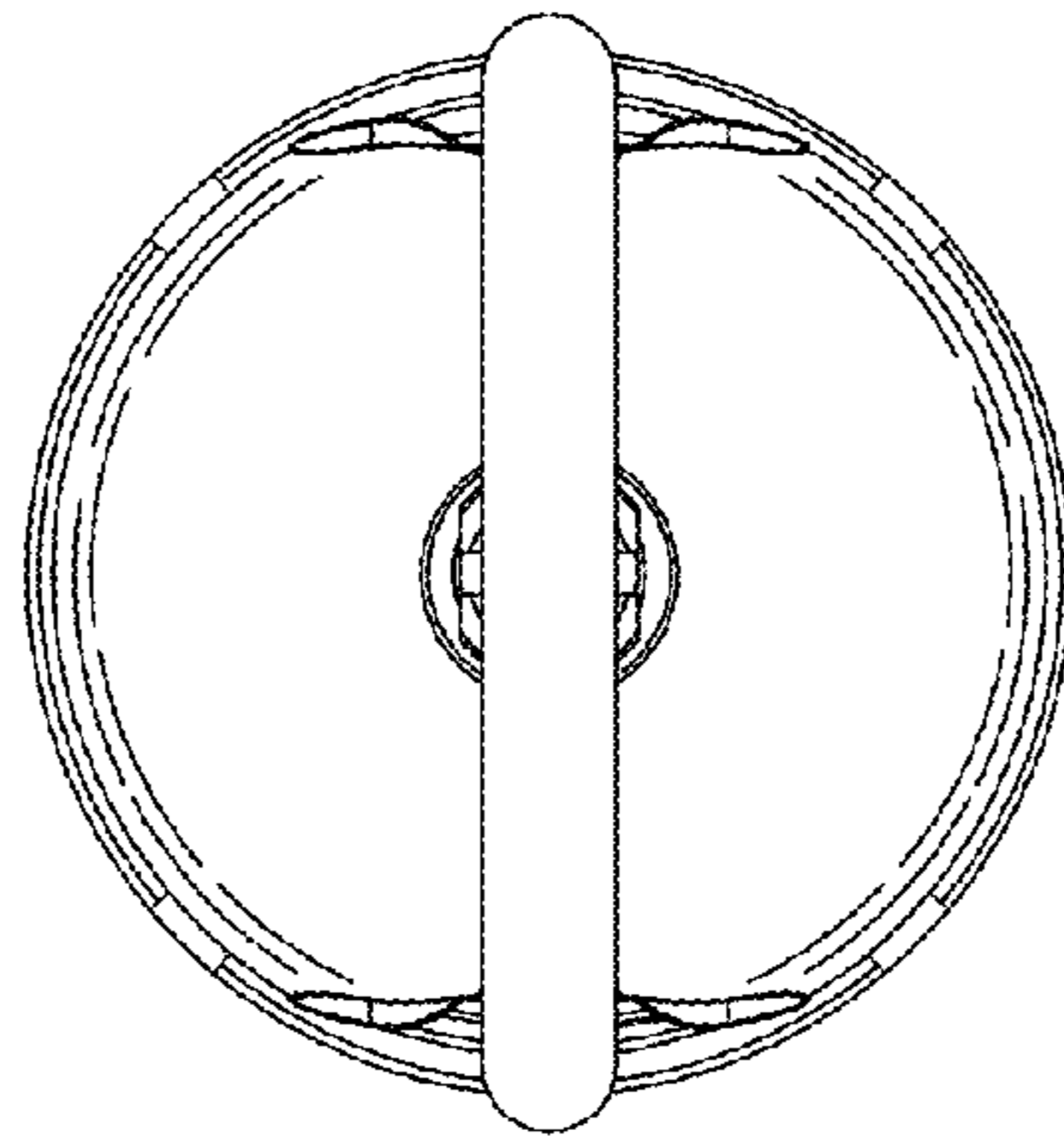


Fig. 6

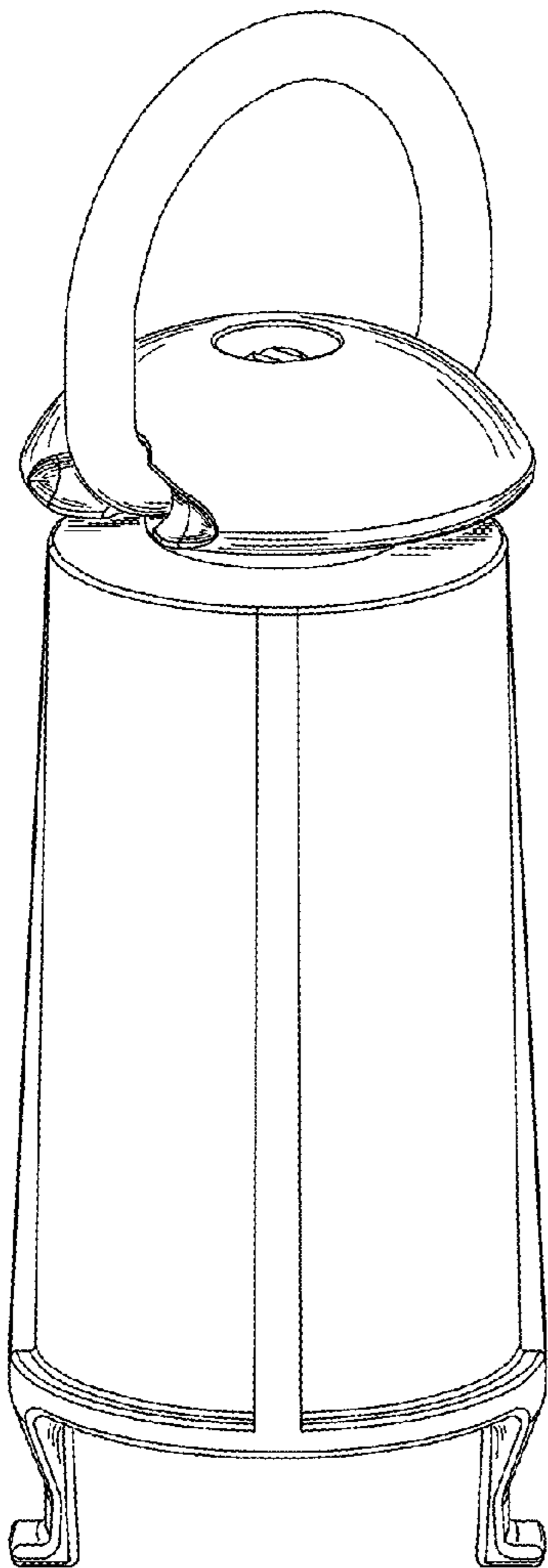


Fig. 7

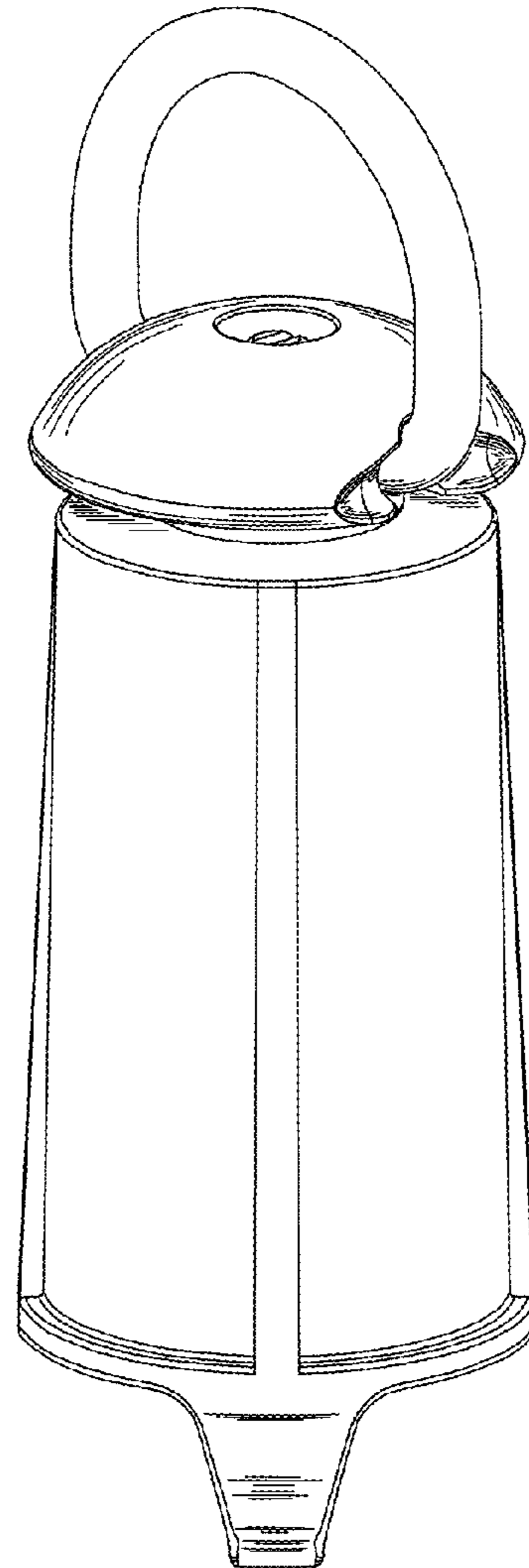


Fig. 8