



US00D718596S

(12) **United States Design Patent**
Moreau et al.

(10) **Patent No.:** **US D718,596 S**
(45) **Date of Patent:** **** Dec. 2, 2014**

(54) **TOOL HOLDER WITH TABS AND SUCTION CUPS**

(71) Applicant: **Ty-Flot, Inc.**, Manchester, NH (US)

(72) Inventors: **Darrell A. Moreau**, Manchester, NH (US); **Andre W. Moreau**, Spring Hill, FL (US)

(73) Assignee: **Ty-Flot, Inc.**, Manchester, NH (US)

(**) Term: **14 Years**

(21) Appl. No.: **29/465,784**

(22) Filed: **Aug. 30, 2013**

(51) **LOC (10) Cl.** **08-05**

(52) **U.S. Cl.**
USPC **D8/71**

(58) **Field of Classification Search**
USPC D8/14.1, 64, 66, 70, 71, 72, 73, 74, 107, D8/349, 354, 373; D15/130, 132, 138, D15/139, 140, 141; D7/393, 401.2, 642; D9/434, 435, 436, 446, 454, 499; D21/756; 33/474, 533, 613; 81/177.1, 81/177.4, 437, 438, 439, 490; 82/161; 83/581, 760, 762, 763, 764, 766; 142/48, 49, 55; 211/60.1, 70.6; 248/80, 248/153, 175, 176.1, 201, 304, 309.1, 312, 248/312.1, 315, 316.8; 269/41, 42, 283; 16/110.1

See application file for complete search history.

(56) **References Cited**

U.S. PATENT DOCUMENTS

D87,322 S *	7/1932	Zook	D26/41
D101,771 S *	11/1936	Glock	D26/41
4,432,663 A	2/1984	Lasak et al.		
D342,449 S *	12/1993	Mattheis	D9/446
D373,295 S *	9/1996	DiResta	D8/71
D398,503 S *	9/1998	DiResta	D8/71

6,216,319 B1	4/2001	Elkins		
6,487,756 B1 *	12/2002	Vidal, Jr.	24/3.1
D482,948 S *	12/2003	Monahan	D8/71
D487,809 S *	3/2004	Leung et al.	D26/40
D537,967 S *	3/2007	Lo et al.	D26/40
7,270,289 B2	9/2007	Kish		

(Continued)

OTHER PUBLICATIONS

“Grip-Fit™ Universal Swivel Cup Tether Attachments.” Ty-Flot Cutting Edge Prevention., Jan. 9, 2014 [online], [retrieved on Mar. 26, 2014]. Retrieved from the Internet <URL: <http://shop.ty-flot.com/new-products/grip-fittm-universal-swivel-cup-tether-attachments.html>>.*

(Continued)

Primary Examiner — Philip S Hyder

Assistant Examiner — Darlington Ly

(74) *Attorney, Agent, or Firm* — Mesmer & Deleault, PLLC

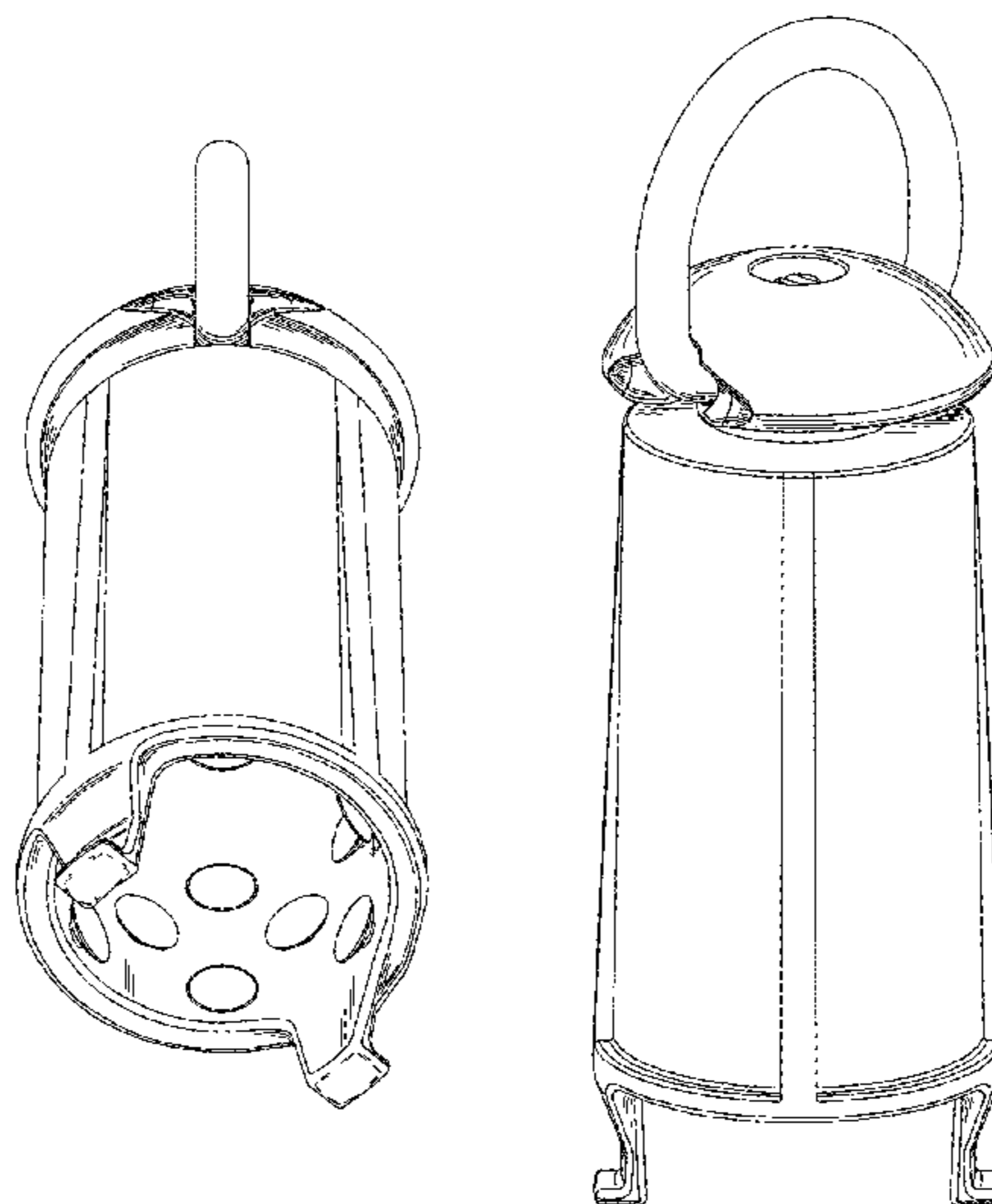
(57) **CLAIM**

We claim the ornamental design for a tool holder with tabs and suction cups, as shown and described.

DESCRIPTION

FIG. 1 is a front elevation view of a tool holder with tabs and suction cups showing our new design; FIG. 2 is a side elevation view thereof; FIG. 3 is a bottom perspective view thereof; FIG. 4 is a bottom perspective view thereof as seen at an alternate angle; FIG. 5 is a bottom plan view thereof; FIG. 6 is a top plan view thereof; FIG. 7 is a top and left side perspective view thereof; and, FIG. 8 is a top and right side perspective view thereof. The broken lines shown in the drawings illustrate portions of the tool holder with tabs and suction cups that forms no part of the claimed design.

1 Claim, 3 Drawing Sheets



(56)

References Cited

OTHER PUBLICATIONS

U.S. PATENT DOCUMENTS

D643,703 S * 8/2011 Koehn D8/367
D648,055 S * 11/2011 Poon D26/41
8,403,132 B2 * 3/2013 Moreau et al. 206/234
2010/0229347 A1 9/2010 Kish
2010/0327029 A1 * 12/2010 Kahn 224/183

“Ty-Flot Product Catalog.” Ty-Flot Cutting Edge Prevention., Jan. 9, 2014 [online], [retrieved on Mar. 26, 2014]. Retrieved from the Internet <URL: <http://www.ty-flot.com/catalog.pdf>>.*

* cited by examiner

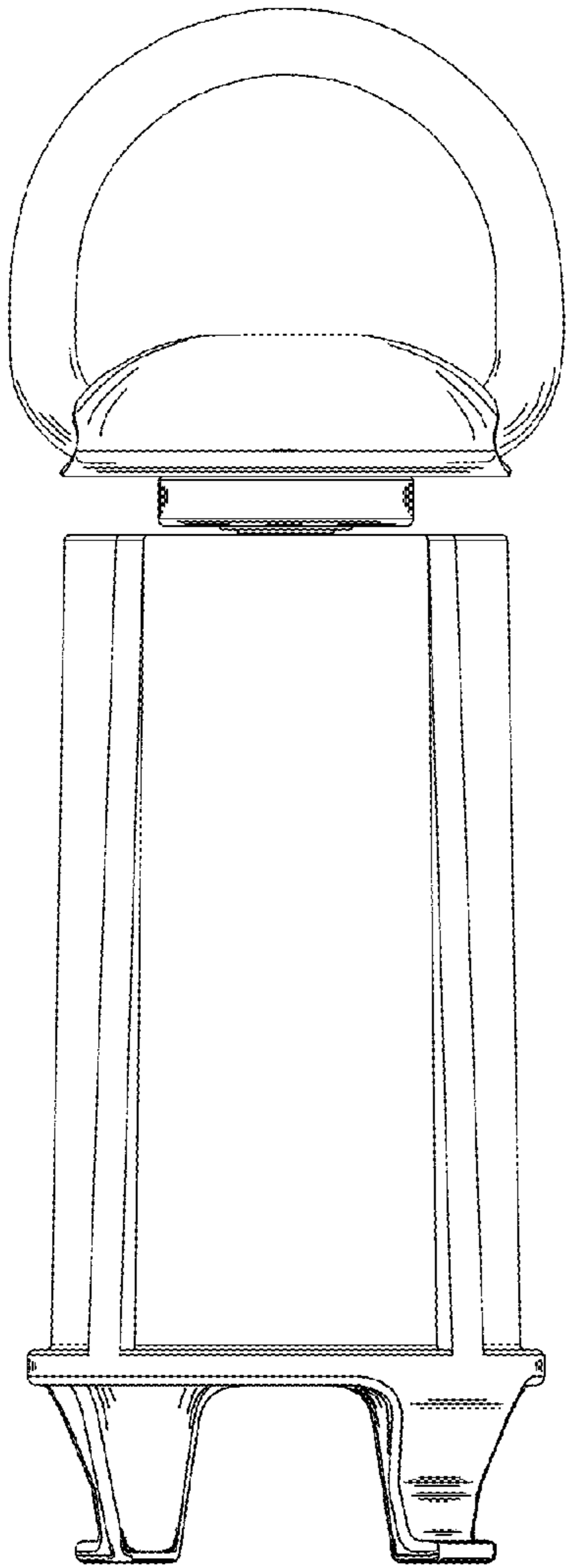


Fig. 1

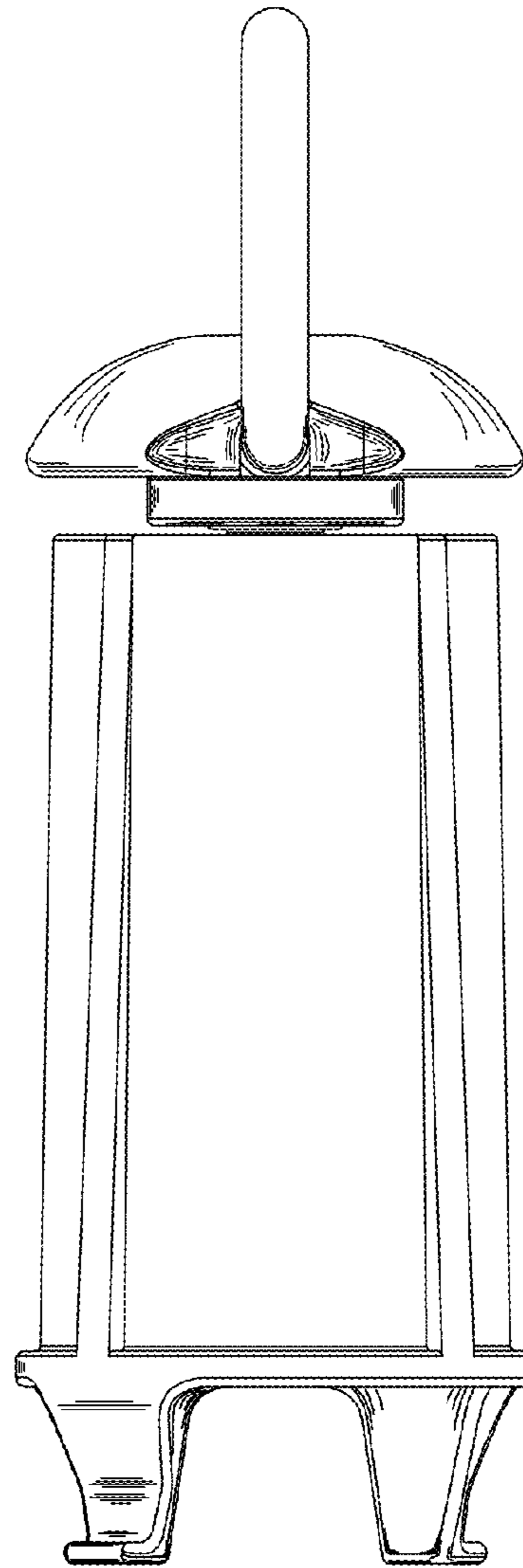


Fig. 2

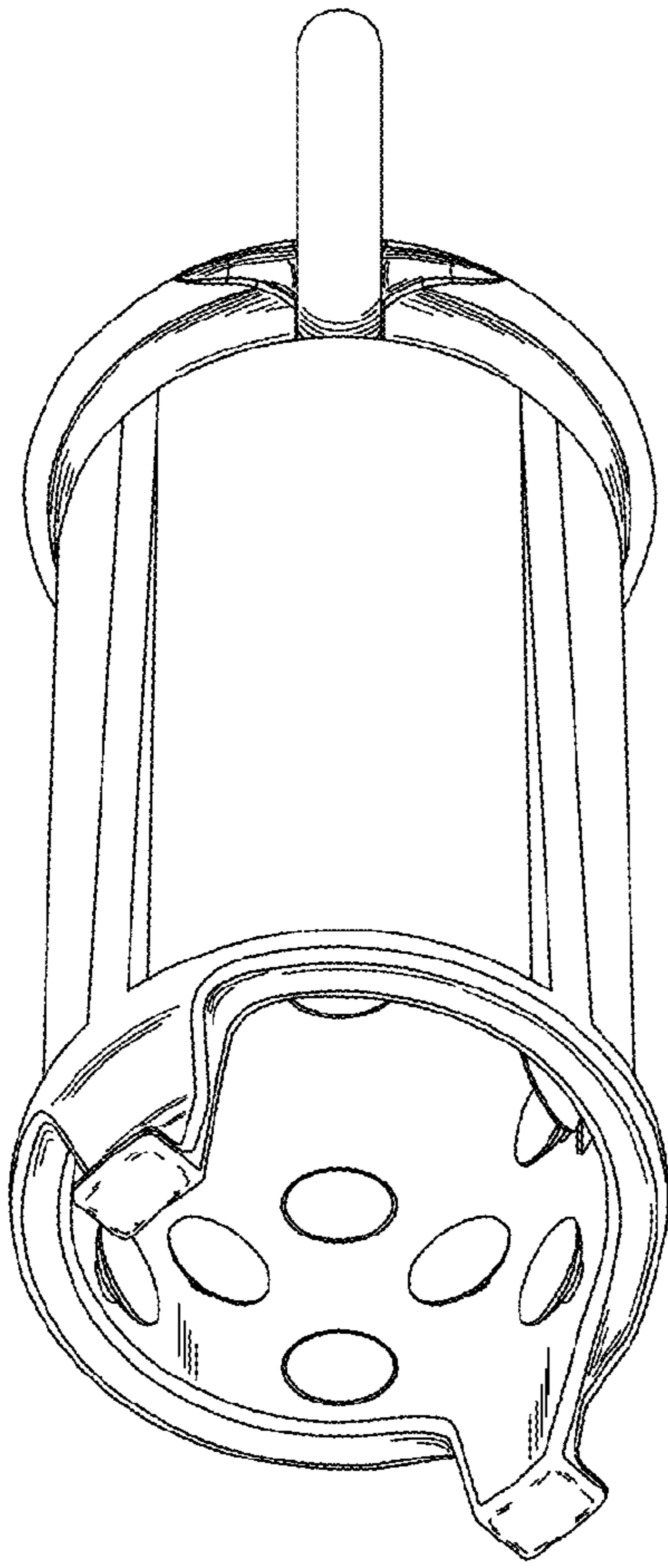


Fig. 3

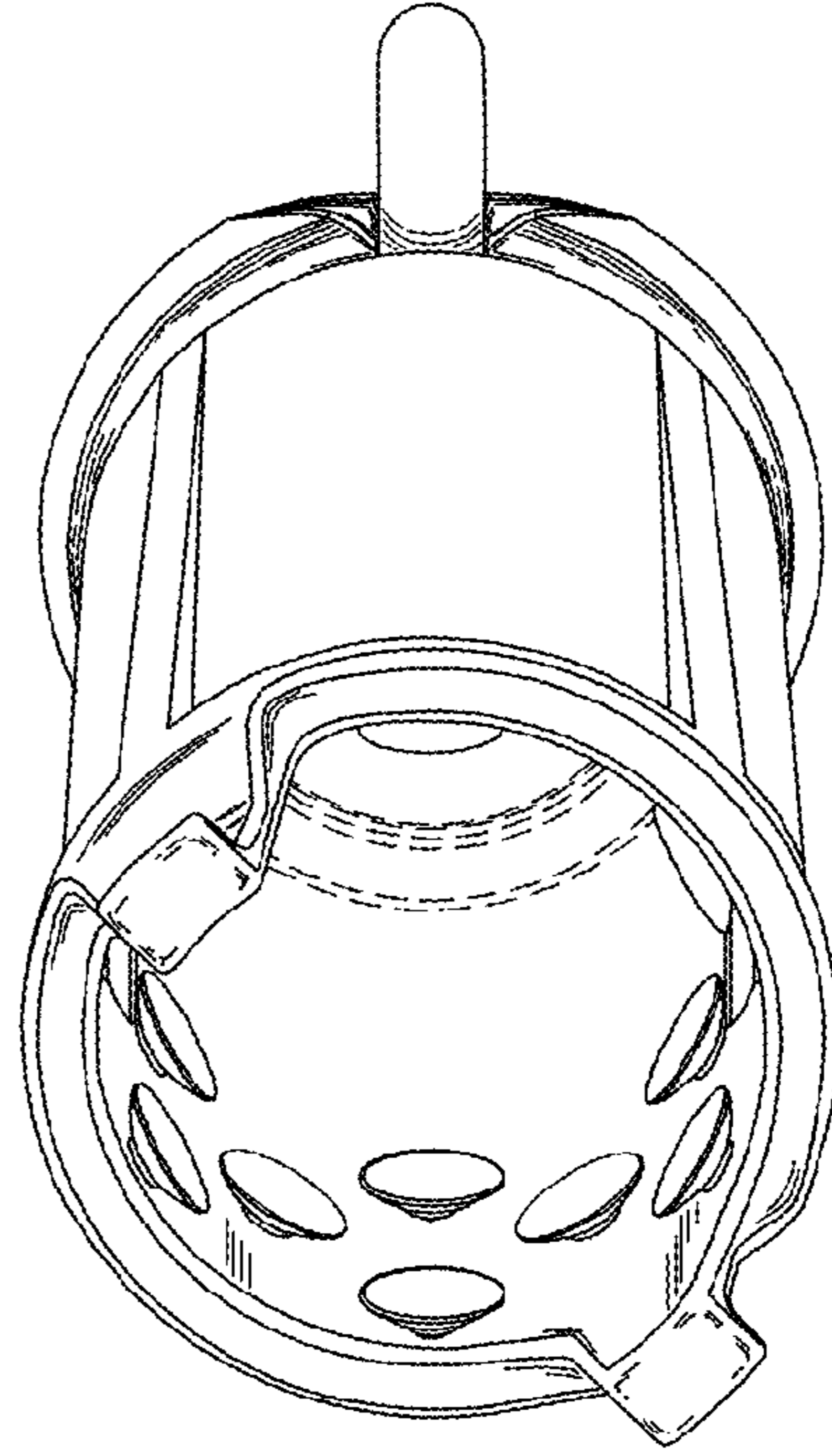


Fig. 4

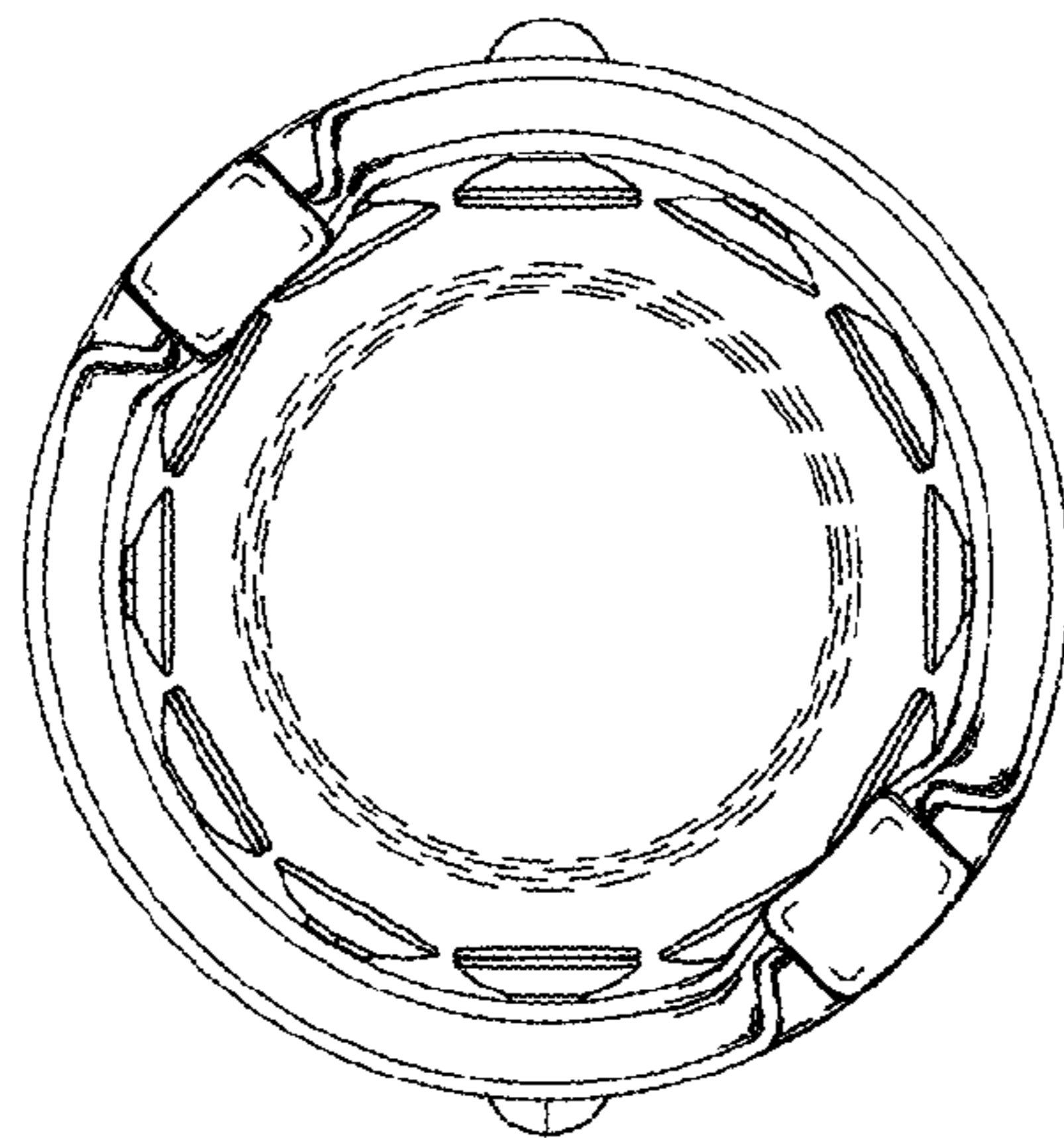


Fig. 5

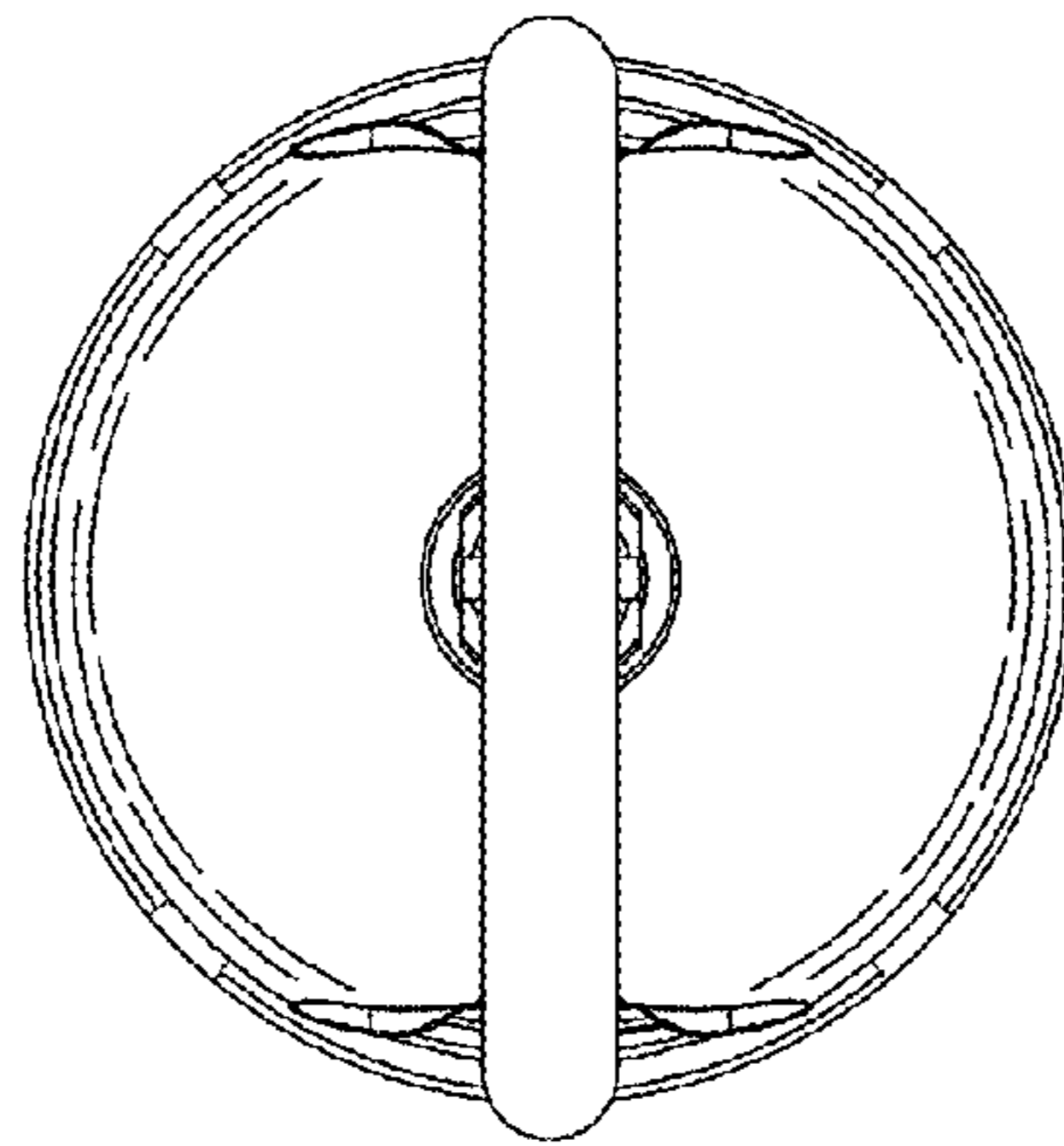


Fig. 6

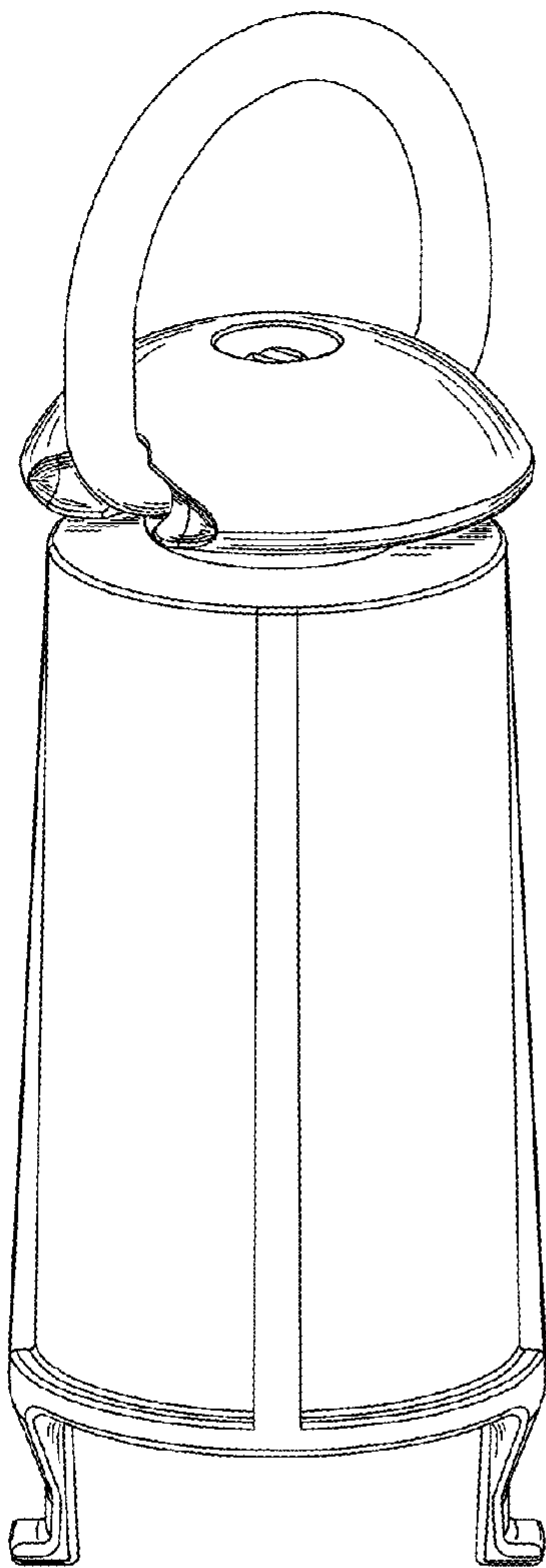


Fig. 7

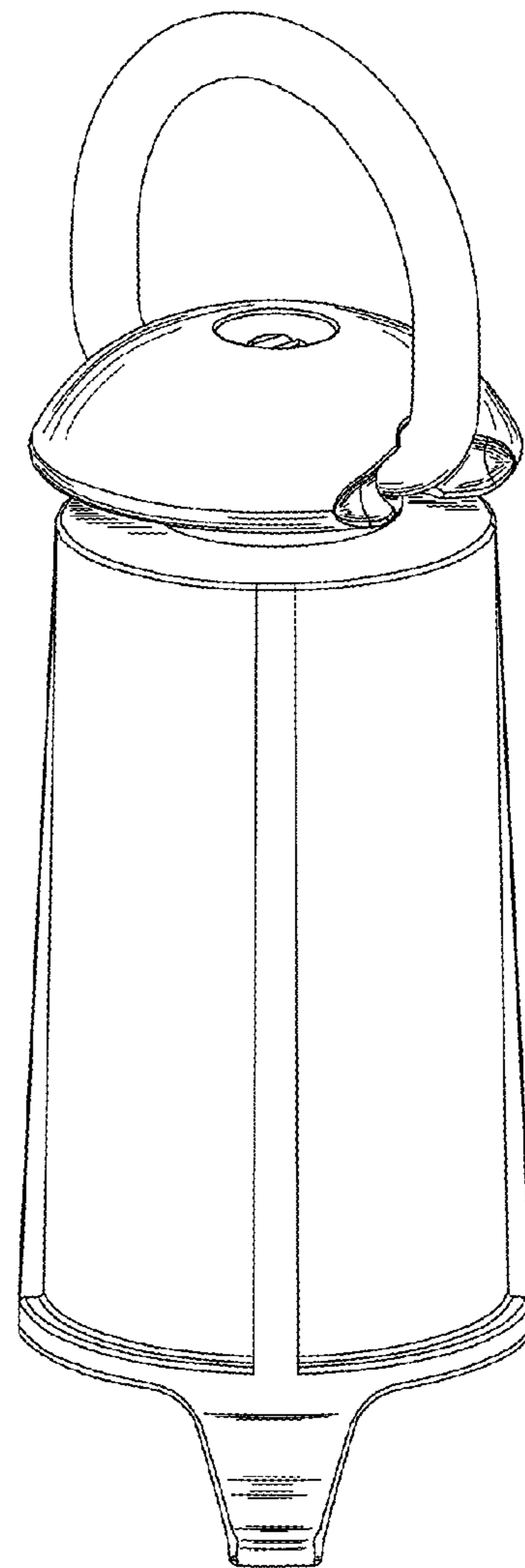


Fig. 8