



US00D718595S

(12) **United States Design Patent**
Shearer

(10) **Patent No.:** **US D718,595 S**

(45) **Date of Patent:** **** Dec. 2, 2014**

(54) **ADJUSTABLE SIDE AND CORNER DRILL JIG**

(71) Applicant: **Joshua D Shearer**, Hemet, CA (US)

(72) Inventor: **Joshua D Shearer**, Hemet, CA (US)

(**) Term: **14 Years**

(21) Appl. No.: **29/473,025**

(22) Filed: **Nov. 18, 2013**

(51) **LOC (10) Cl.** **08-05**

(52) **U.S. Cl.**
USPC **D8/70**

(58) **Field of Classification Search**
USPC D8/70, 71; D10/61, 64, 65; D15/132,
D15/138, 140, 143; D24/133, 140, 147,
D24/149; 408/56, 72 R, 72 B, 97, 111, 112,
408/115 R, 115 B, 241 G, 712
See application file for complete search history.

D350,142 S	8/1994	Imanisji et al.	
D352,510 S *	11/1994	Sutton et al.	D15/138
5,560,408 A *	10/1996	DiFranco	144/144.1
6,125,546 A	10/2000	Laws	
D636,413 S	4/2011	Gustavsson et al.	
D679,613 S *	4/2013	Propp et al.	D10/65
D682,327 S *	5/2013	Perez et al.	D15/140
D688,930 S *	9/2013	Krohmer et al.	D8/71
D690,180 S *	9/2013	Del Rossa	D8/71
D701,542 S *	3/2014	Shearer	D15/128
2006/0039764 A1 *	2/2006	Moore	408/1 R

* cited by examiner

Primary Examiner — Philip S Hyder

Assistant Examiner — Darlington Ly

(74) *Attorney, Agent, or Firm* — Kirk A. Buhler; Buhler & Associates

(57) **CLAIM**

The ornamental design for an adjustable side and corner drill jig, as shown and described.

DESCRIPTION

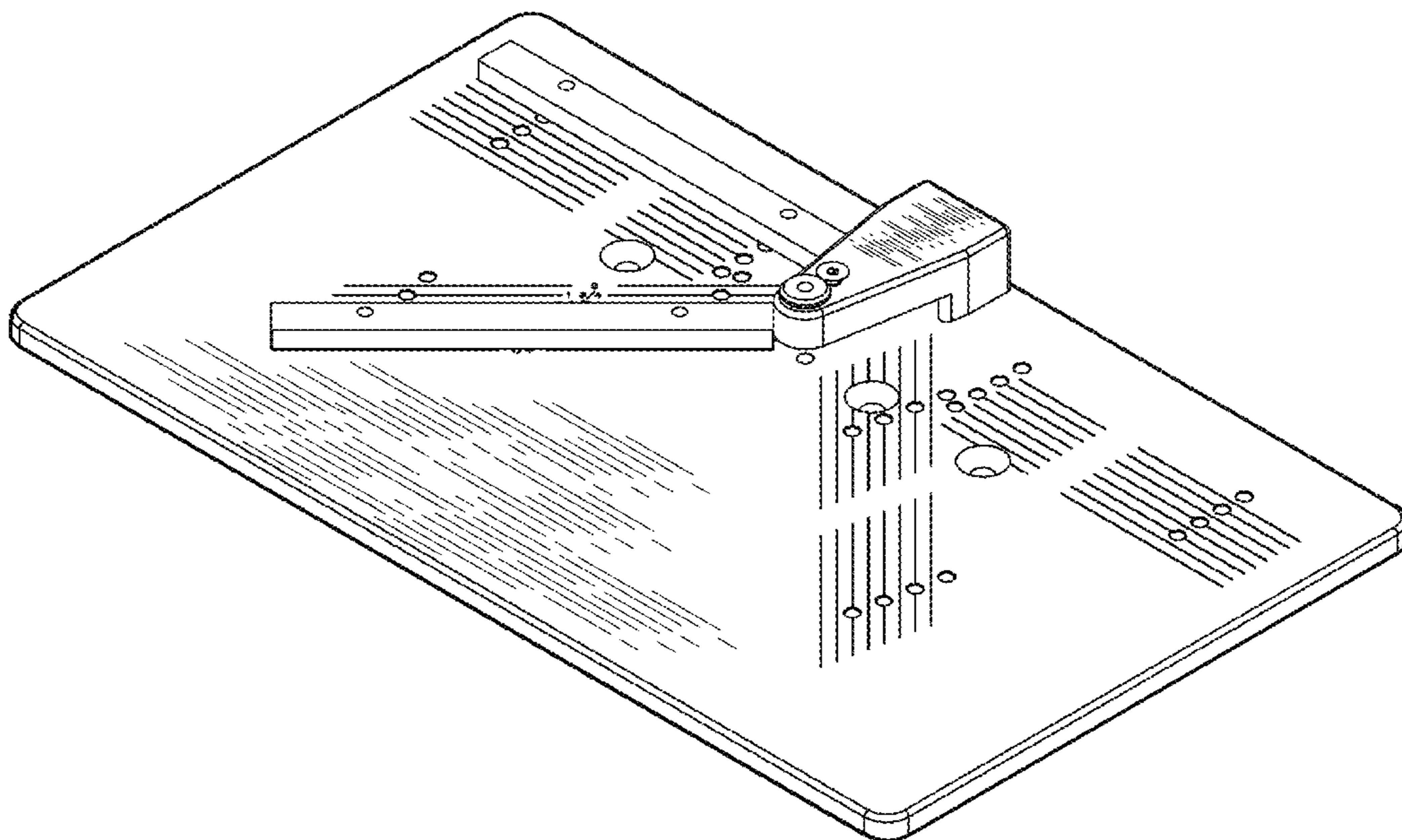
FIG. 1 is an assembled top perspective view for an adjustable side and corner drill jig showing my new design; FIG. 2 is a top plan view thereof; FIG. 3 is a front elevation view thereof; FIG. 4 is a bottom plan view thereof; FIG. 5 is a rear elevation view thereof; FIG. 6 is a left side elevation view thereof; FIG. 7 is a right side elevation thereof; and, FIG. 8 is an exploded top perspective view thereof.

1 Claim, 4 Drawing Sheets

(56) **References Cited**

U.S. PATENT DOCUMENTS

3,205,748 A	9/1965	Smeets	
3,405,583 A	10/1968	Herzog	
3,616,719 A	11/1971	Tassie	
3,942,400 A	3/1976	Roch	
D244,758 S	6/1977	Slattery	
4,433,600 A	2/1984	Ikeda	
4,481,848 A	11/1984	Ikeda	
4,719,951 A *	1/1988	Woltanski	144/253.2
5,174,693 A *	12/1992	Lee et al.	408/108
5,289,861 A *	3/1994	Hedrick	144/135.2
5,308,199 A *	5/1994	Juang	408/115 R



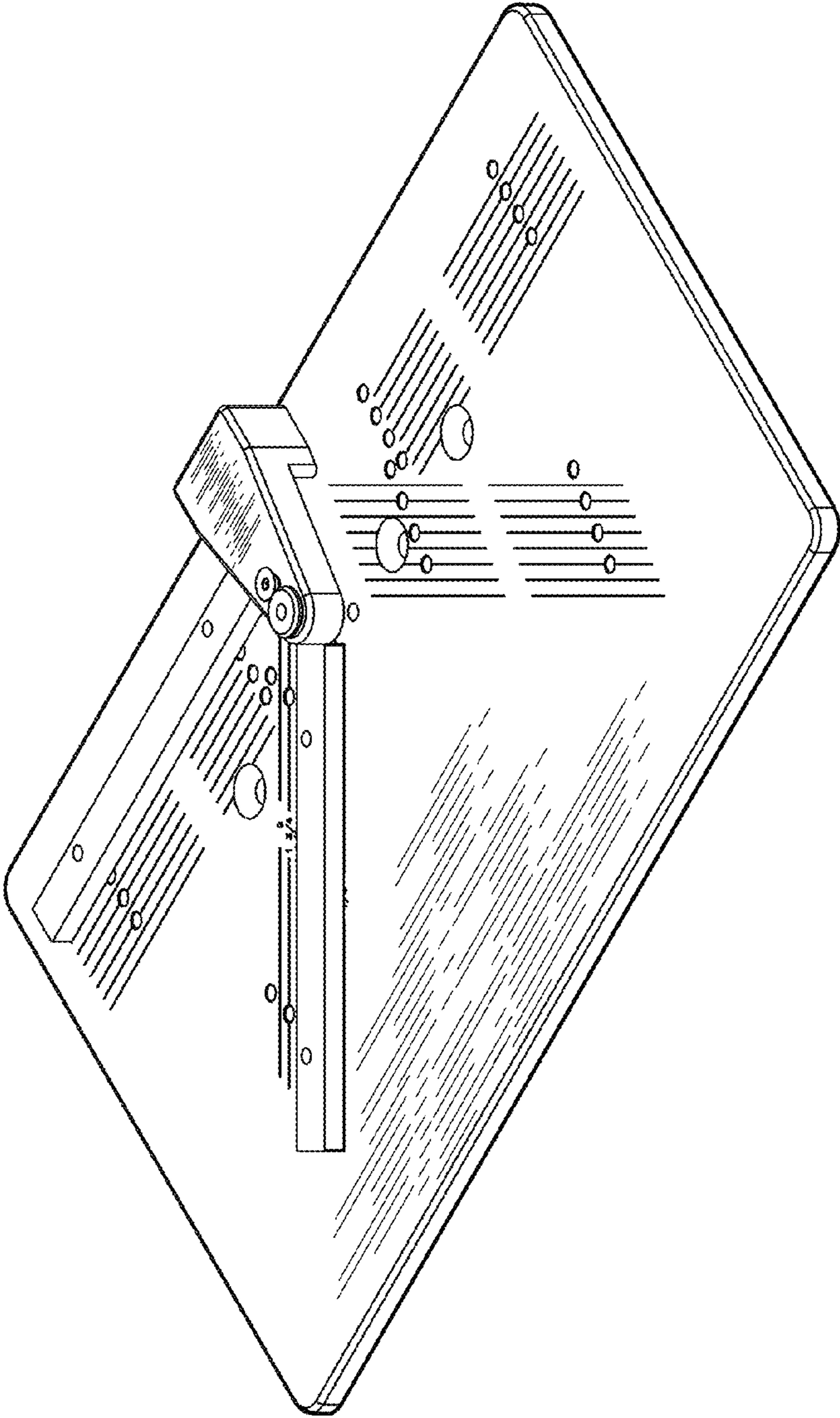


FIG. 1

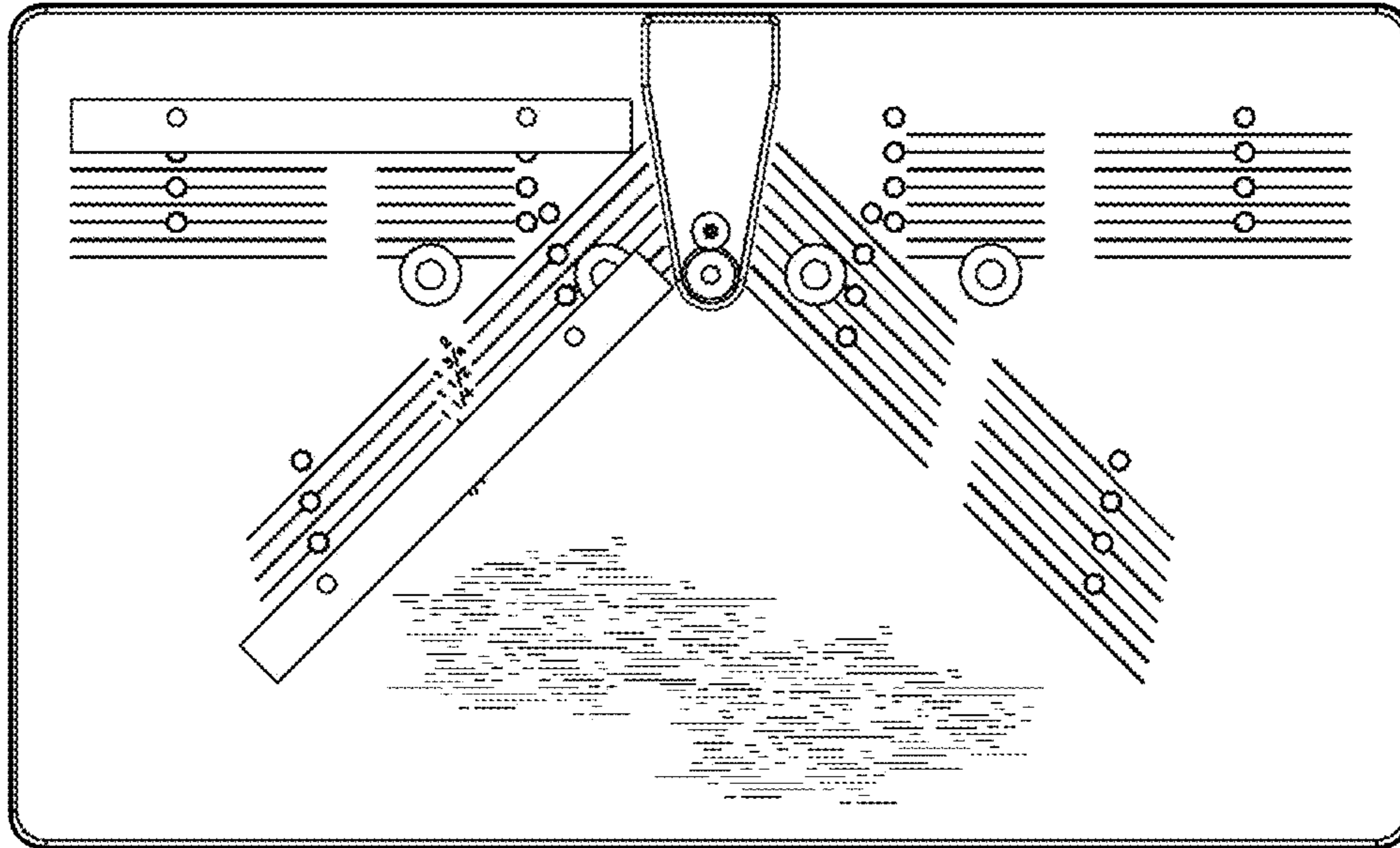


FIG. 2

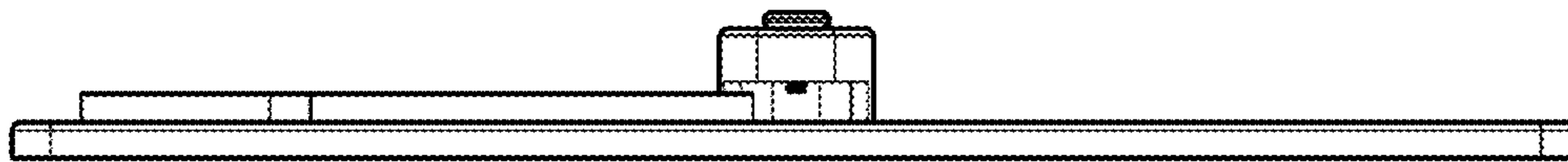


FIG. 3

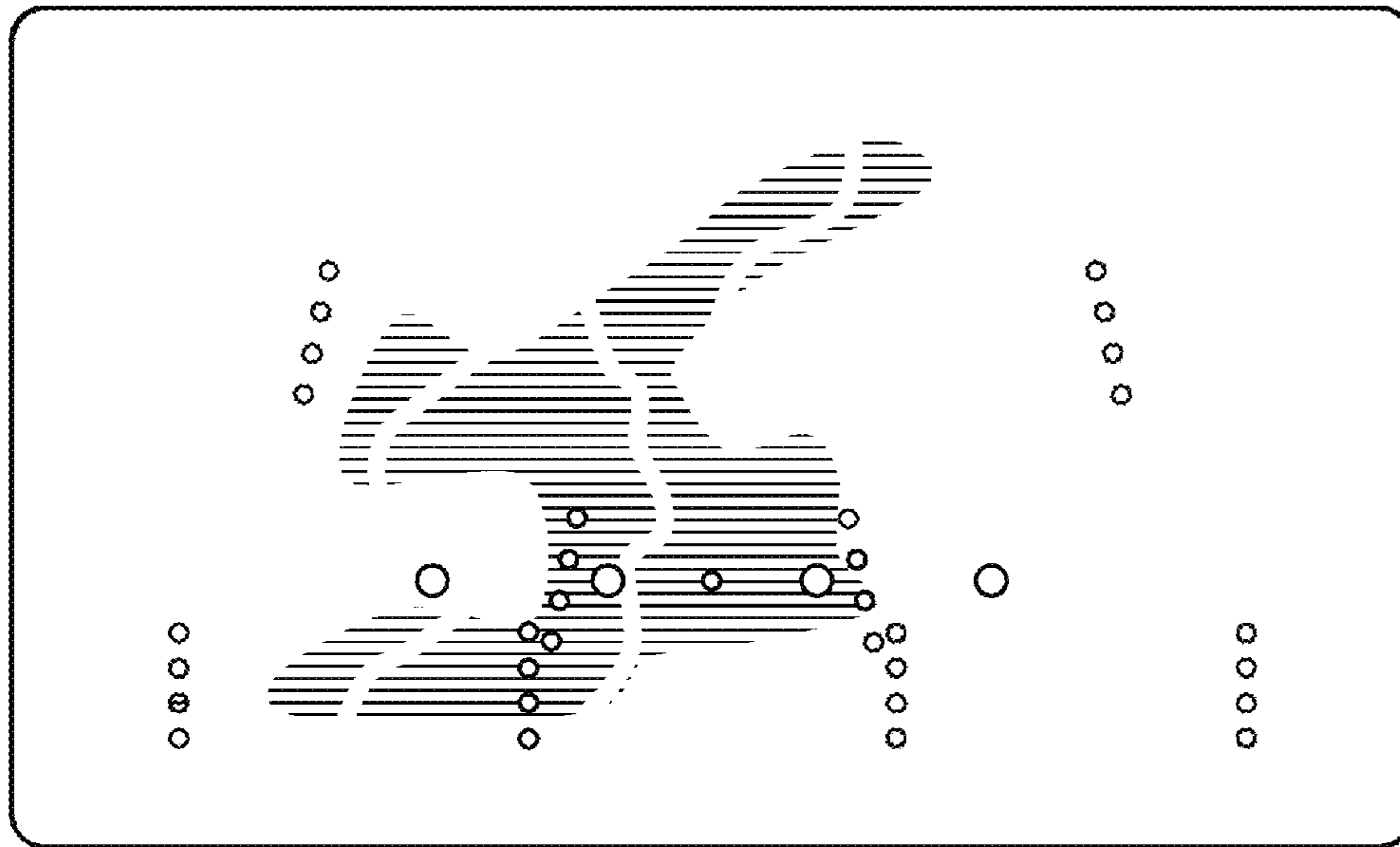


FIG. 4

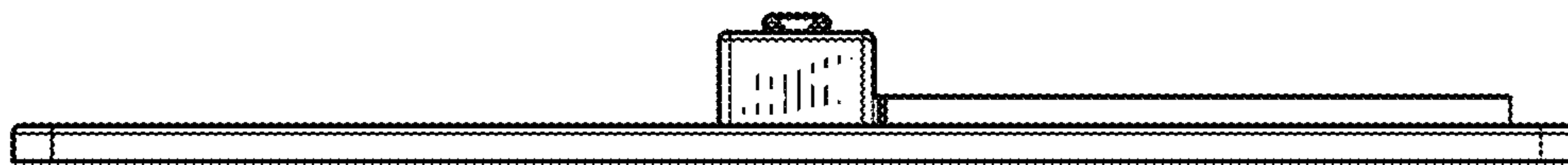


FIG. 5



FIG. 6

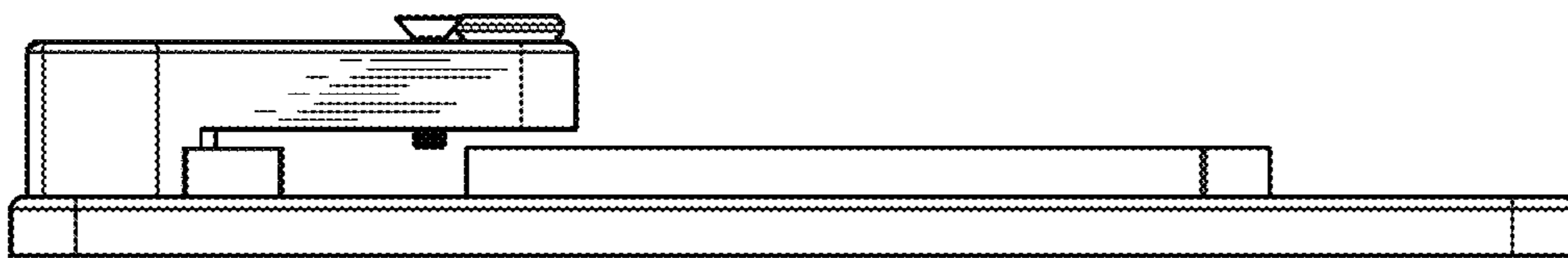


FIG. 7

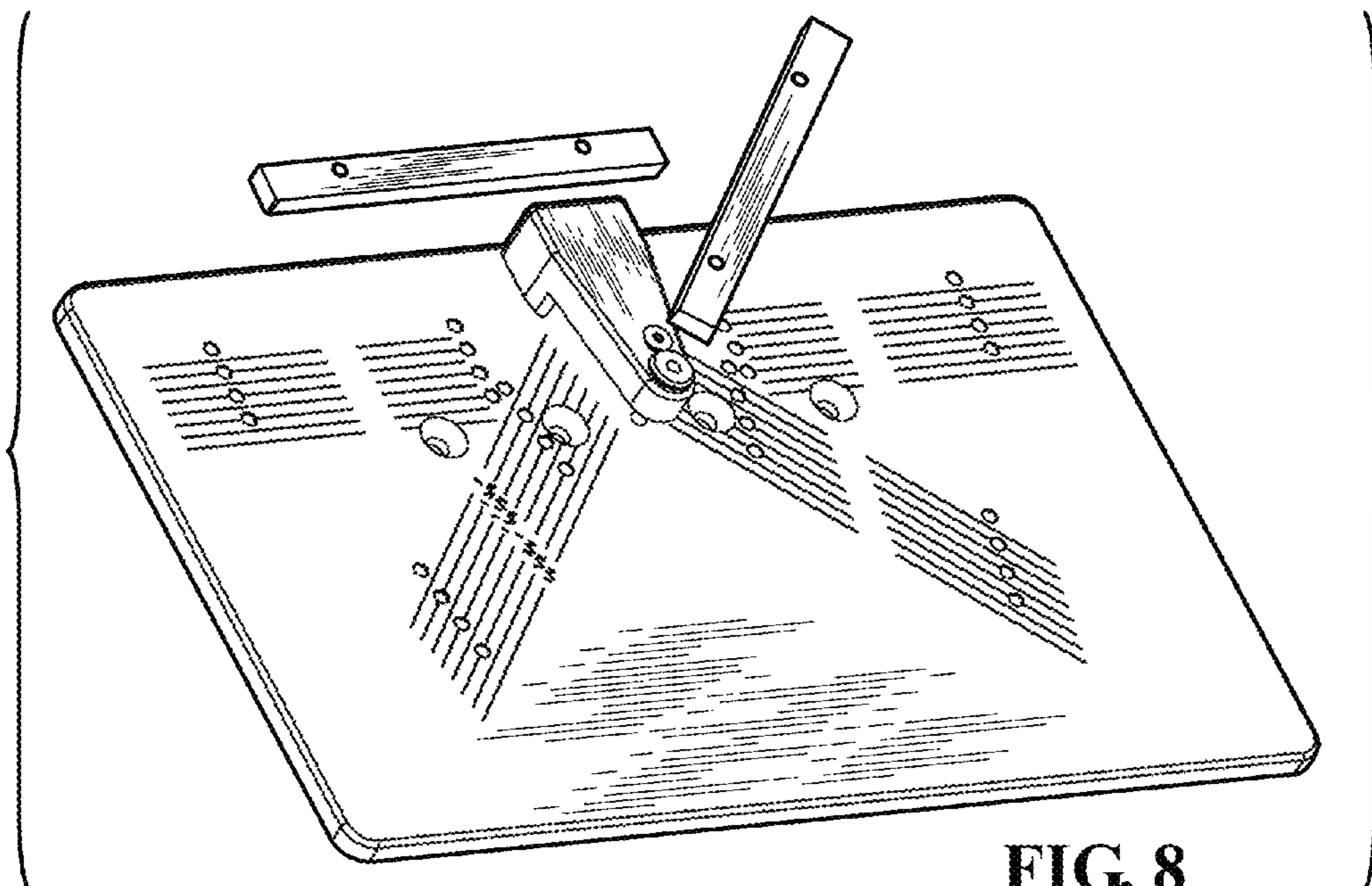


FIG. 8