



US00D718590S

(12) **United States Design Patent**  
**Roberts et al.**

(10) **Patent No.:** **US D718,590 S**  
(45) **Date of Patent:** **\*\* Dec. 2, 2014**

(54) **HANDLES FOR A CUTTING INSTRUMENT**  
(71) Applicant: **Fiskars Brands, Inc.**, Madison, WI (US)  
(72) Inventors: **Colin Roberts**, Stevens Point, WI (US);  
**Jens Housley**, Sun Prairie, WI (US)  
(73) Assignee: **Fiskars Brands, Inc.**, Madison, WI (US)  
(\*\*) Term: **14 Years**

D395,992 S 7/1998 Bennett et al.  
D421,375 S 3/2000 Carlson et al.  
D427,491 S \* 7/2000 Deville ..... D8/5  
D457,402 S \* 5/2002 Heck et al. .... D8/5  
D472,121 S 3/2003 Wolff  
D502,371 S 3/2005 Pia  
D503,880 S 4/2005 McLean  
D514,908 S 2/2006 McLean

(Continued)

(21) Appl. No.: **29/480,456**  
(22) Filed: **Jan. 27, 2014**

OTHER PUBLICATIONS  
U.S. Appl. No. 29/480,464, filed Jan. 27, 2014, Fiskars Brands, Inc.  
(Continued)

(51) **LOC (10) Cl.** ..... **08-03**  
(52) **U.S. Cl.**  
USPC ..... **D8/57**  
(58) **Field of Classification Search**  
CPC ..... B26B 13/00; B26B 13/20; B26B 13/12;  
B26B 17/00  
USPC ..... D8/4, 5, 51-58, 105, 107; D21/195,  
D21/532; 30/131, 195, 229, 194, 230-235,  
30/341, 268, 350, 254-258; D28/44, 57;  
7/135, 136; D7/693, 695  
See application file for complete search history.

*Primary Examiner* — Deanna L Pratt  
*Assistant Examiner* — Harold Blackwell, II  
(74) *Attorney, Agent, or Firm* — Foley & Lardner LLP

(57) **CLAIM**  
We claim the ornamental design for a set of handles for a cutting instrument, as shown and described.

(56) **References Cited**

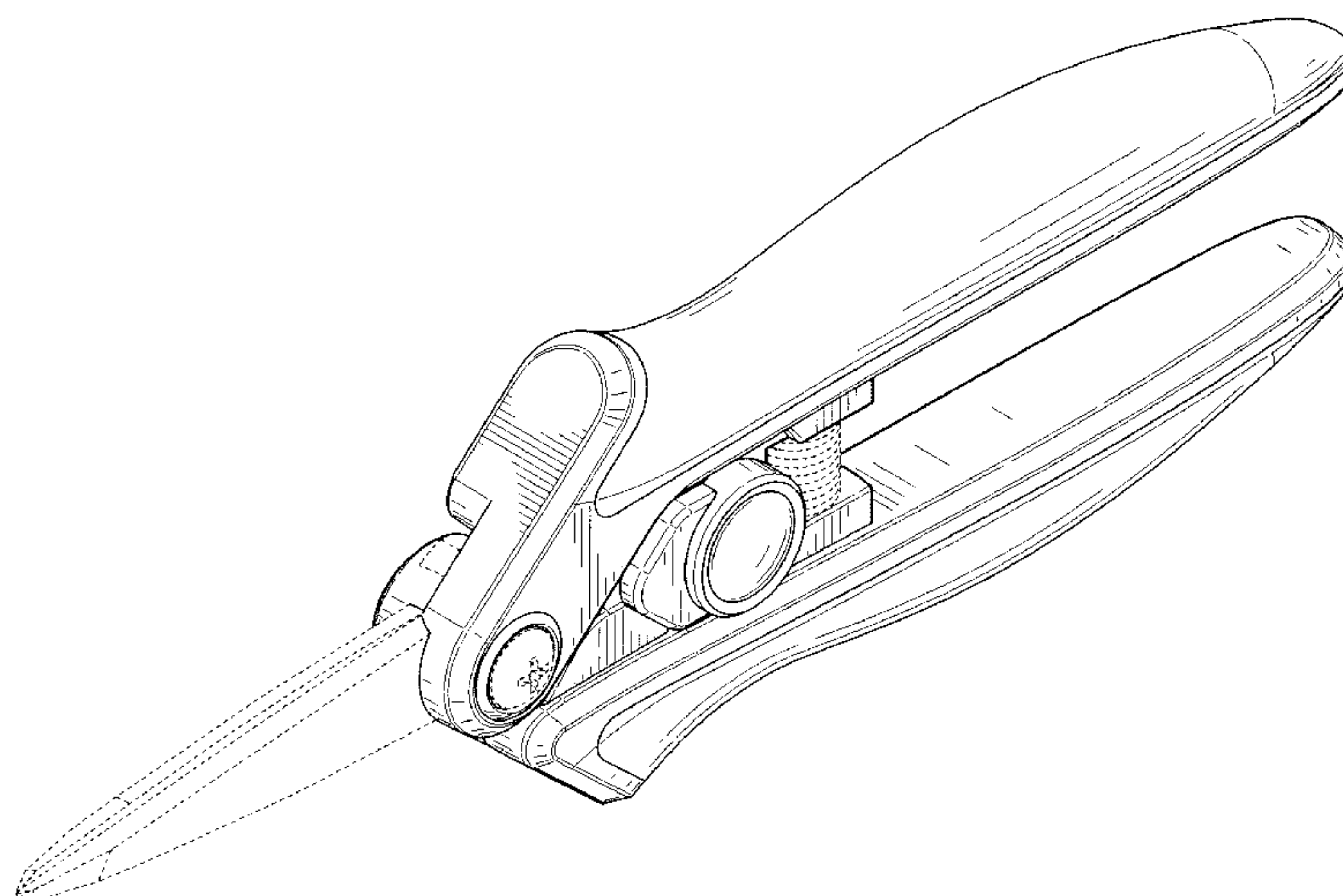
**DESCRIPTION**

U.S. PATENT DOCUMENTS

D266,478 S \* 10/1982 Bladen ..... D8/5  
D284,063 S \* 6/1986 Linden ..... D8/5  
D301,678 S 6/1989 Linden  
D304,801 S 11/1989 Gingher  
D305,090 S 12/1989 Collins et al.  
4,947,553 A 8/1990 Bendickson et al.  
5,297,343 A 3/1994 Melter et al.  
D354,890 S \* 1/1995 Concari et al. .... D8/5  
D361,700 S 8/1995 Birkholz  
D369,531 S 5/1996 Birkholz  
D383,957 S 9/1997 Cornell  
D393,192 S 4/1998 Cornell  
D393,193 S 4/1998 Schneider et al.

FIG. 1 is a first front isometric view of a first embodiment of a set of handles for a cutting instrument;  
FIG. 2 is a right side elevational view thereof;  
FIG. 3 is a left side elevational view thereof;  
FIG. 4 is a front elevational view thereof;  
FIG. 5 is a rear elevational view thereof;  
FIG. 6 is a top plan view thereof;  
FIG. 7 is a bottom plan view thereof; and,  
FIG. 8 is a second front isometric view thereof.  
The broken line showing of the blades illustrates the environment of the claimed design and forms no part thereof. The broken line showing of portions of the handles for a cutting instrument illustrate portions of the handles for a cutting instrument which form no part of the claimed design.

**1 Claim, 6 Drawing Sheets**



(56)

**References Cited**

U.S. PATENT DOCUMENTS

D521,830 S 5/2006 Brady et al.  
 7,096,586 B2 8/2006 Carpenter et al.  
 D532,268 S 11/2006 McLean  
 D536,588 S 2/2007 Peterson et al.  
 D536,589 S 2/2007 Peterson et al.  
 D536,939 S 2/2007 Peterson et al.  
 D543,817 S 6/2007 McLean  
 D547,153 S 7/2007 Peterson et al.  
 D576,011 S \* 9/2008 Lipscomb et al. .... D8/107  
 D600,092 S 9/2009 Peterson et al.  
 D611,794 S 3/2010 Williams et al.  
 D628,031 S \* 11/2010 Stokes et al. .... D8/5  
 D631,716 S 2/2011 Roberts et al.  
 D648,608 S 11/2011 Roberts et al.  
 D649,420 S 11/2011 Cunningham et al.

D651,053 S \* 12/2011 Roberts et al. .... D8/5  
 D651,487 S \* 1/2012 Roberts et al. .... D8/5  
 D658,022 S 4/2012 Farnworth et al.  
 D677,539 S 3/2013 Roberts et al.  
 D678,020 S 3/2013 Lipscomb et al.  
 D678,022 S 3/2013 Roberts et al.  
 D684,027 S 6/2013 Roberts et al.  
 D699,526 S \* 2/2014 Wang ..... D8/5  
 D700,493 S 3/2014 Roberts et al.  
 D705,023 S \* 5/2014 Chen ..... D8/5  
 D706,096 S \* 6/2014 Stokes et al. .... D8/5

OTHER PUBLICATIONS

U.S. Appl. No. 29/480,465, filed Jan. 27, 2014, Fiskars Brands, Inc.  
 U.S. Appl. No. 29/480,460, filed Jan. 27, 2014, Fiskars Brands, Inc.  
 U.S. Appl. No. 29/480,461, filed Jan. 27, 2014, Fiskars Brands, Inc.

\* cited by examiner

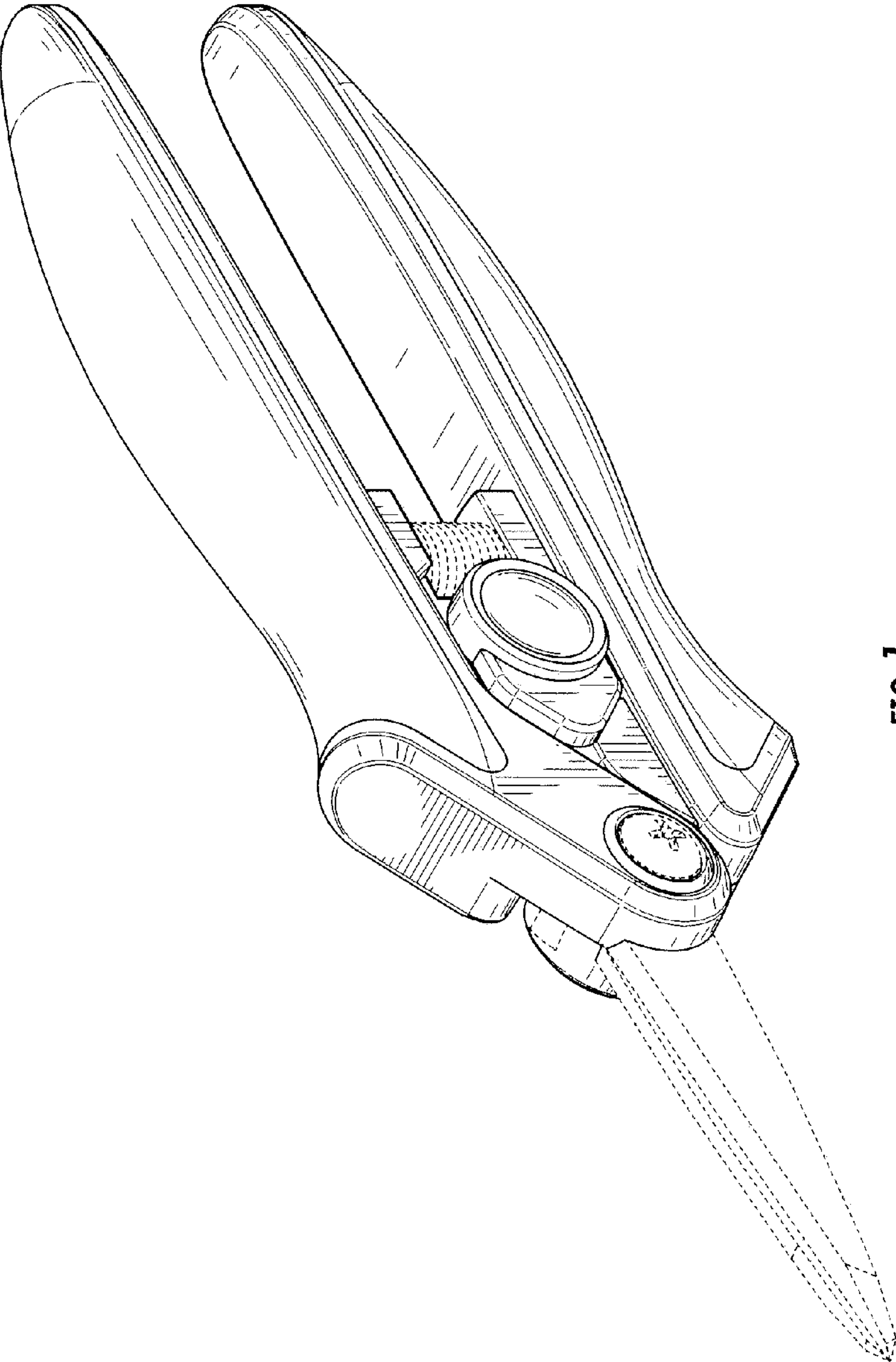


FIG. 1

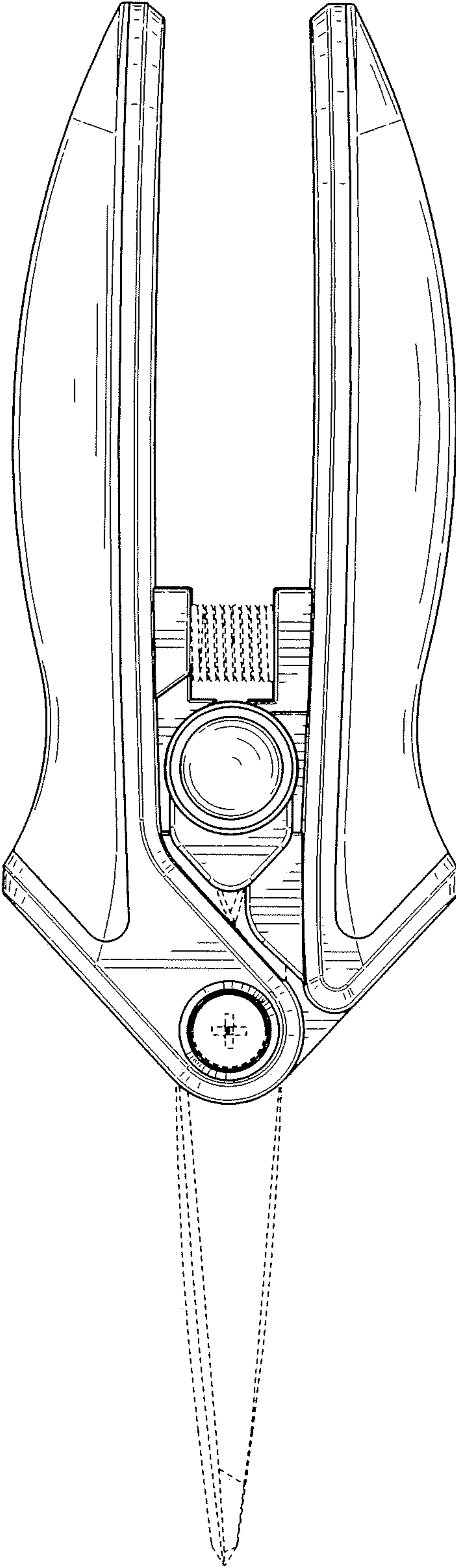


FIG. 2



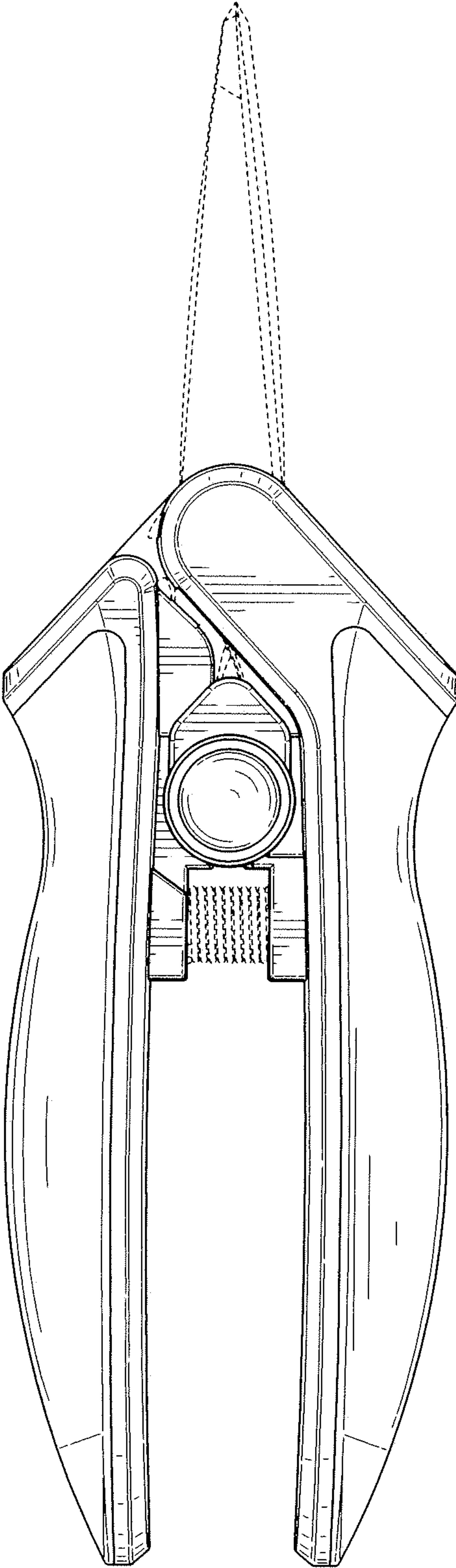
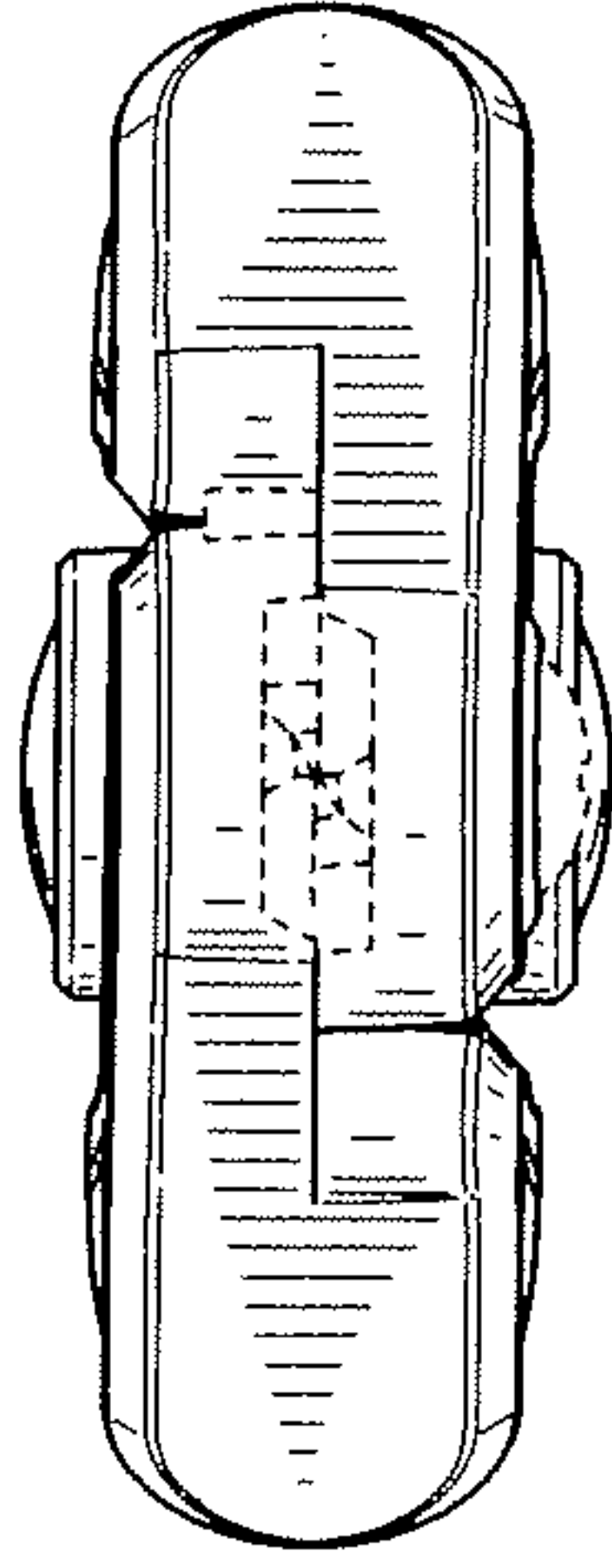
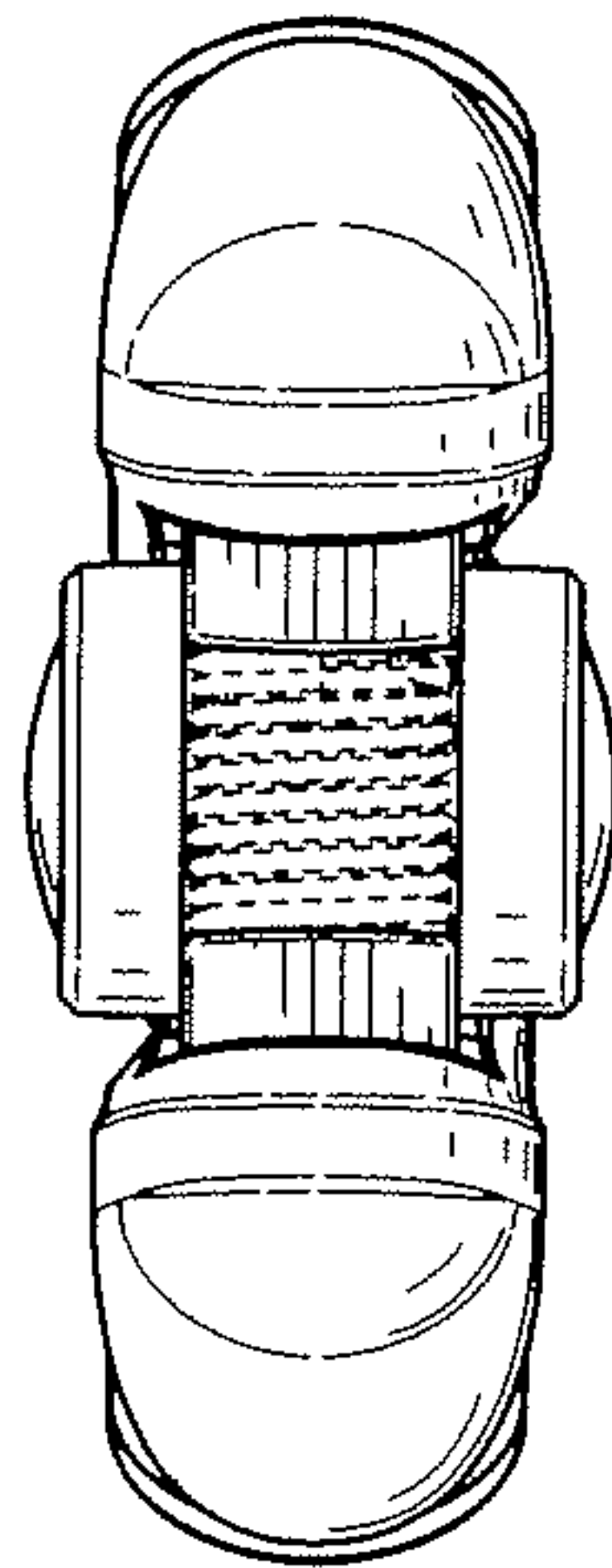


FIG. 3



**FIG. 4**



**FIG. 5**

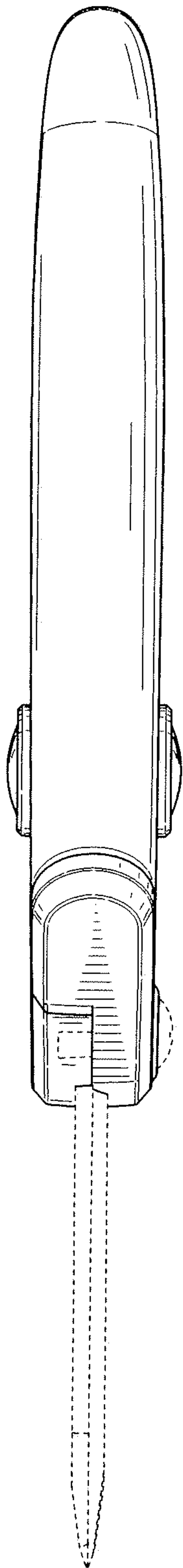


FIG. 6

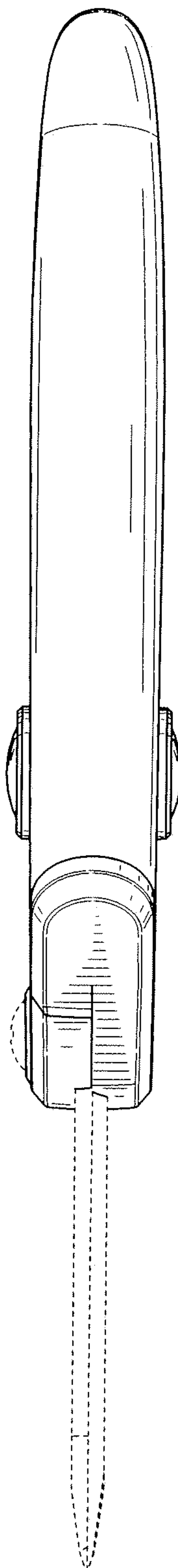


FIG. 7

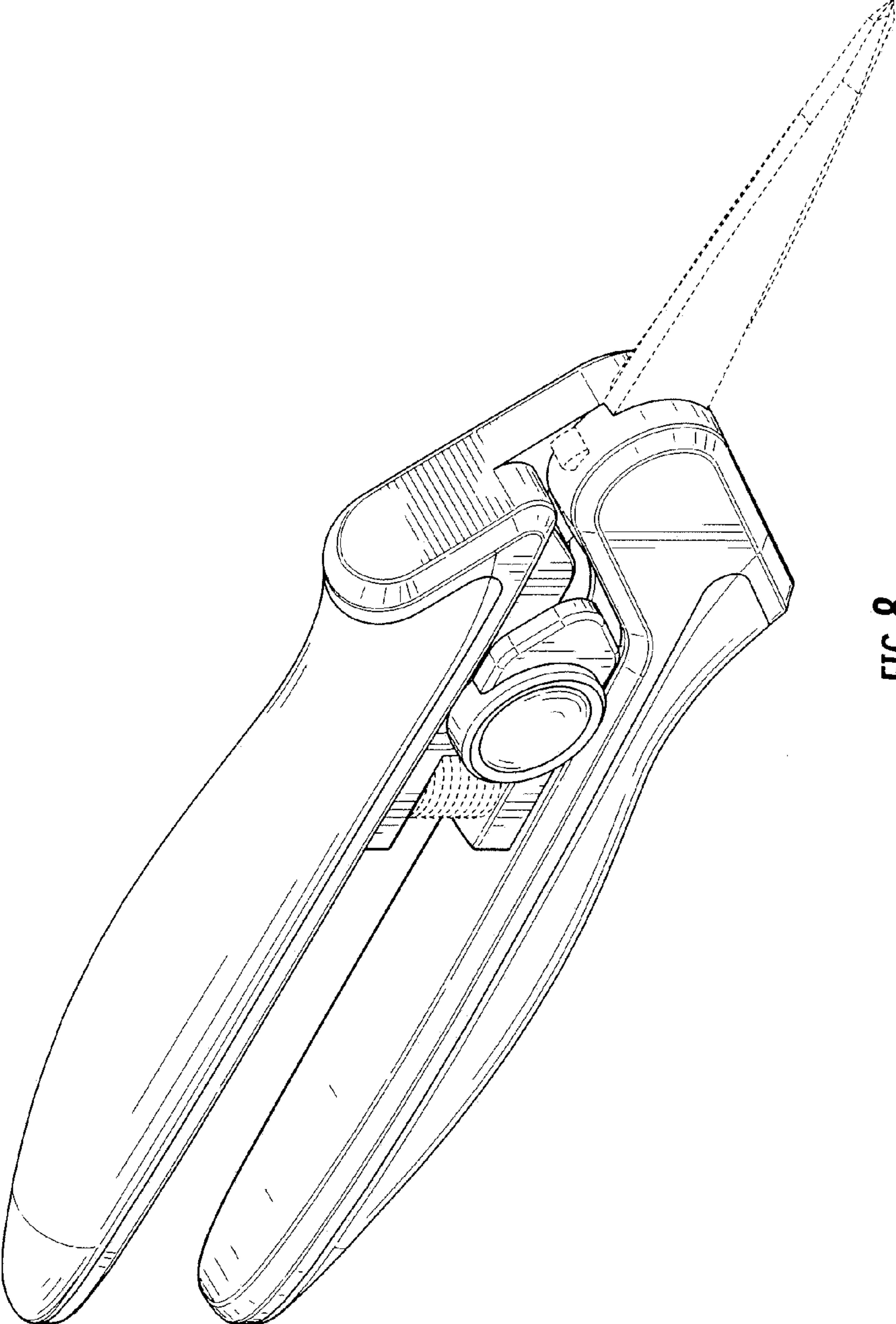


FIG. 8