



US00D718589S

(12) **United States Design Patent**
Stephens

(10) **Patent No.:** **US D718,589 S**

(45) **Date of Patent:** **** Dec. 2, 2014**

(54) **ADDITIVE BROADCASTER**

(76) Inventor: **John Scott Stephens**, Lubbock, TX (US)

(**) Term: **14 Years**

(21) Appl. No.: **29/419,733**

(22) Filed: **May 1, 2012**

(51) **LOC (10) Cl.** **08-05**

(52) **U.S. Cl.**
USPC **D8/45**

(58) **Field of Classification Search**

CPC B05C 17/10; B06B 1/161; C04B 28/02;
C04B 40/0067; E01C 7/15; E01C 7/22;
E01C 7/35; E01C 19/187; E01C 19/38;
E01C 19/402; E01C 19/44; E01C 19/4833;
E01C 19/4866; E04F 15/12; E04F 21/16;
E04F 21/20; E04F 21/24; E04F 21/242;
E04G 21/066; E04G 21/102

USPC D8/45; 404/97, 114, 118, 119;
15/235.4, 235.5, 235.8, 245

See application file for complete search history.

(56) **References Cited**

U.S. PATENT DOCUMENTS

2,289,248	A *	7/1942	Davis	264/31
2,737,094	A	3/1956	Jackson		
3,621,086	A	11/1971	Guide		
4,185,431	A	1/1980	Brownlee		
4,265,609	A	5/1981	Kitahara		
4,397,581	A *	8/1983	Jarvis	404/97
4,431,336	A *	2/1984	Nightengale et al.	404/97
4,507,015	A	3/1985	Furukawa		
4,591,291	A	5/1986	Owens		
4,678,365	A *	7/1987	Ban et al.	404/118
5,160,034	A	11/1992	Potter		
D333,245	S *	2/1993	Griggs	D8/45
5,234,283	A *	8/1993	Adkins	404/97
5,855,958	A	1/1999	Nash		
6,059,119	A *	5/2000	Davis	209/233

6,089,787	A *	7/2000	Allen et al.	404/118
6,139,217	A *	10/2000	Reuter	404/97
6,679,652	B2 *	1/2004	Suriano	404/97
6,824,604	B1	11/2004	Noack		

(Continued)

FOREIGN PATENT DOCUMENTS

CN	1097677	1/1995
JP	55096454	7/1980

(Continued)

Primary Examiner — Philip S Hyder

Assistant Examiner — Roselynn Cody

(74) *Attorney, Agent, or Firm* — Scott L. Harper; Harper Washam LLP

(57) **CLAIM**

The ornamental design for an additive broadcaster, as shown and described.

DESCRIPTION

FIG. 1 is a perspective view of the additive broadcaster of the present invention;

FIG. 2 is a rear elevational view of the additive broadcaster of the present invention;

FIG. 3 is a front elevational view of the additive broadcaster of the present invention;

FIG. 4 is a left side elevational view of the additive broadcaster of the present invention;

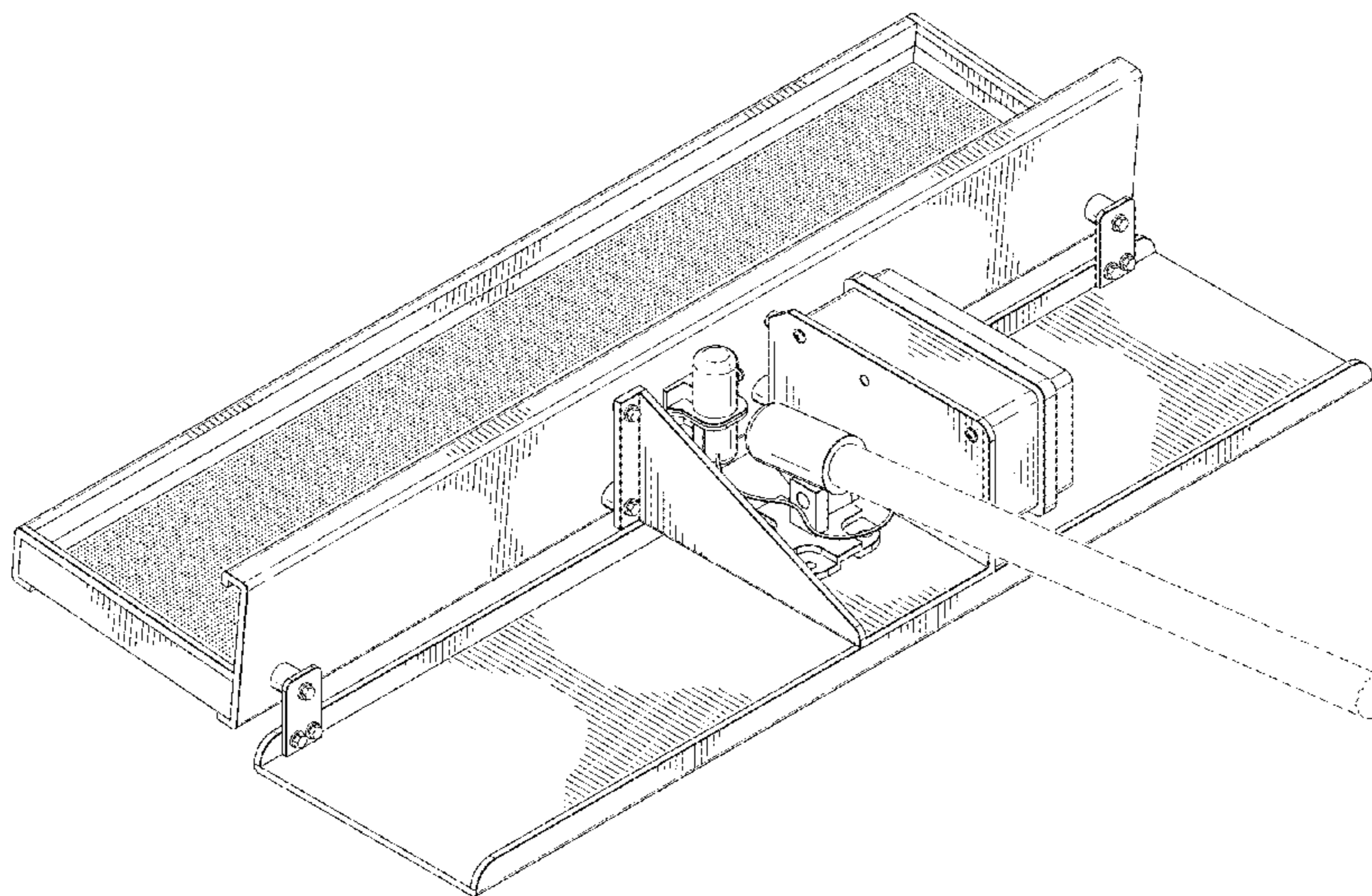
FIG. 5 is a right side elevational view of the additive broadcaster of the present invention;

FIG. 6 is a top view of the additive broadcaster of the present invention; and,

FIG. 7 is a bottom view of the additive broadcaster of the present invention.

The broken lines showing the pole attached to the article are for illustrative purposes only and form no part of the claimed design.

1 Claim, 5 Drawing Sheets



(56)

References Cited

U.S. PATENT DOCUMENTS

6,923,595 B1 8/2005 Chek
7,195,424 B2 3/2007 Lindley
7,270,469 B2 9/2007 Goode
7,572,048 B2 8/2009 Morey
7,686,538 B2 3/2010 Lutz
D621,236 S * 8/2010 Bahler et al. D8/45
8,439,600 B2 * 5/2013 Brening 404/114
8,528,152 B1 * 9/2013 Hogan 15/235.4
8,528,153 B1 * 9/2013 Hogan 15/235.4
8,596,905 B2 * 12/2013 Stephens 404/118
8,714,873 B2 * 5/2014 Stephens 404/118

2006/0105161 A1 5/2006 Brandenburger
2007/0234679 A1 10/2007 Metten
2009/0042044 A1 2/2009 Abecassis
2010/0239368 A1 9/2010 Lickel

FOREIGN PATENT DOCUMENTS

KR 2074540 10/2002
KR 0902937 6/2009
RU 2175913 11/2001
RU 2296626 4/2007
WO 9941002 8/1999

* cited by examiner

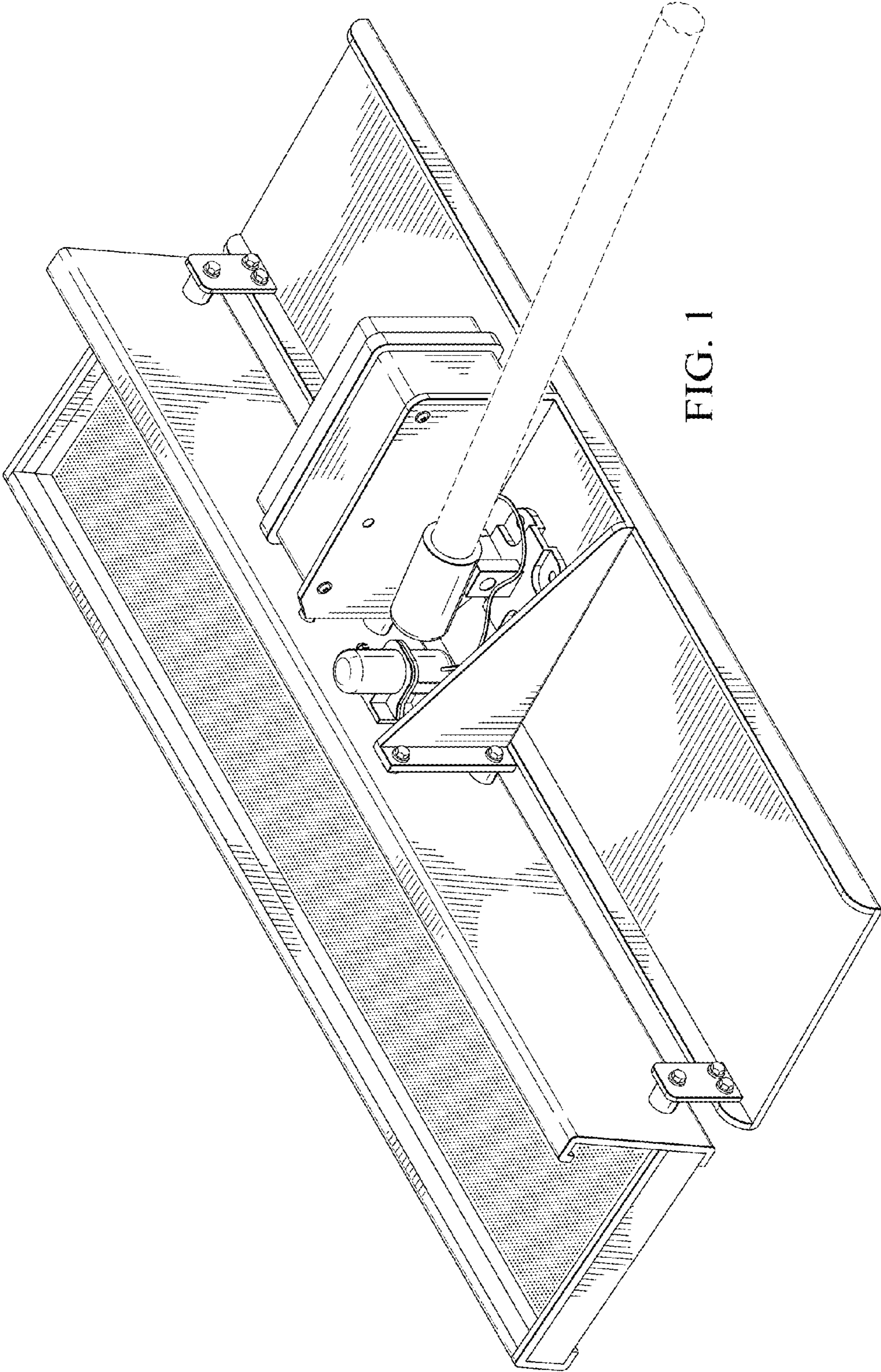


FIG. 1

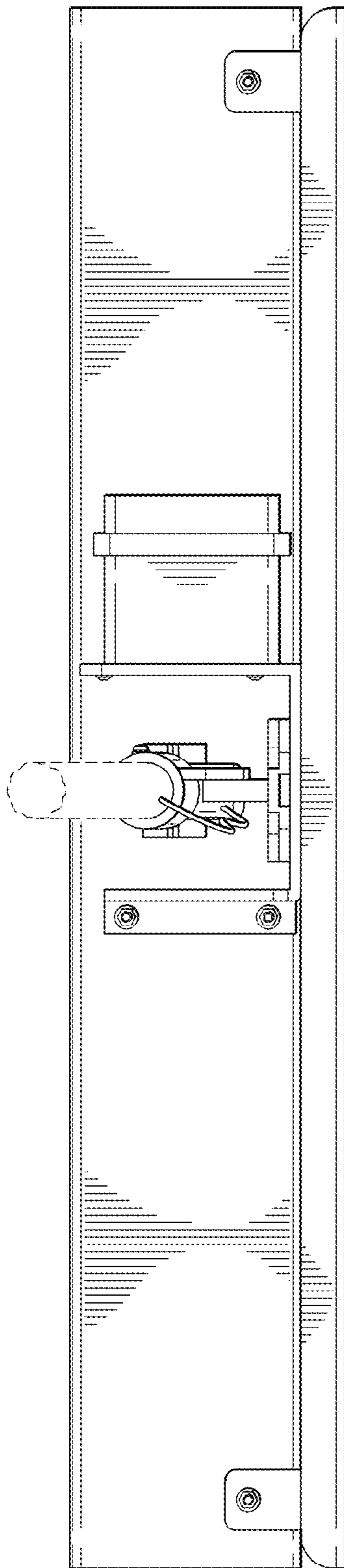


FIG. 2

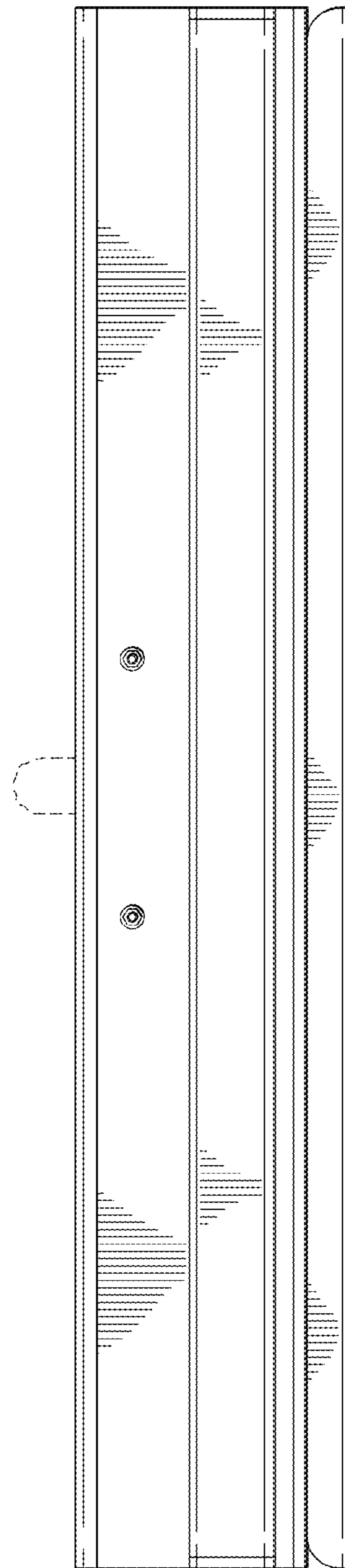


FIG. 3

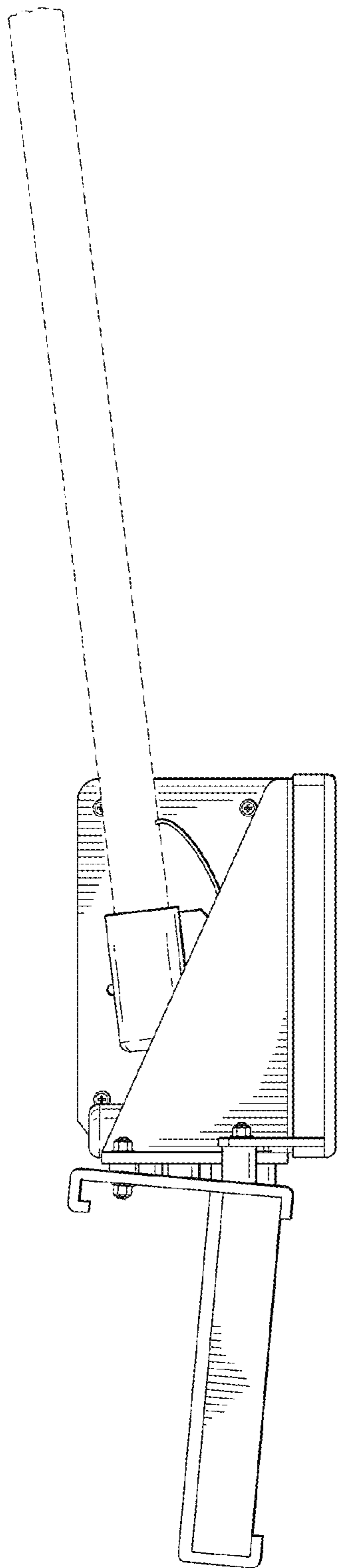


FIG. 4

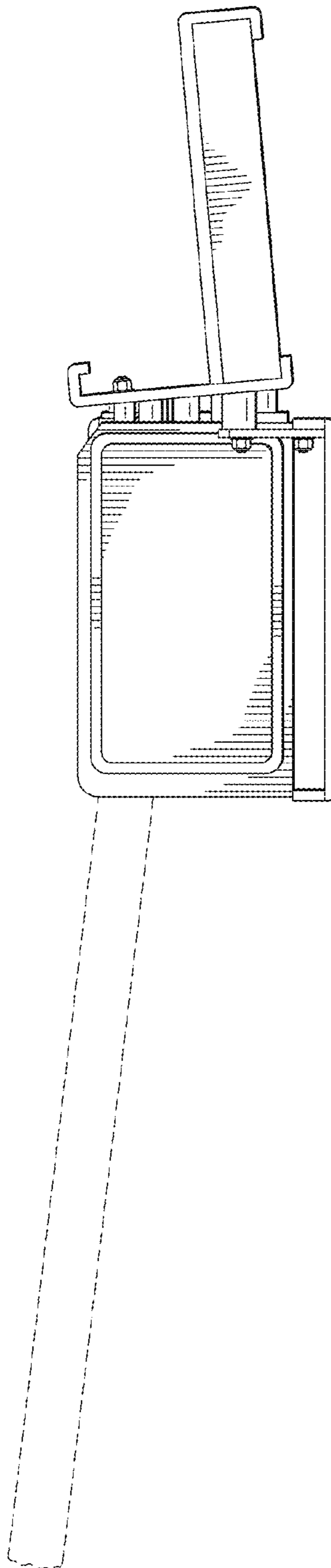


FIG. 5

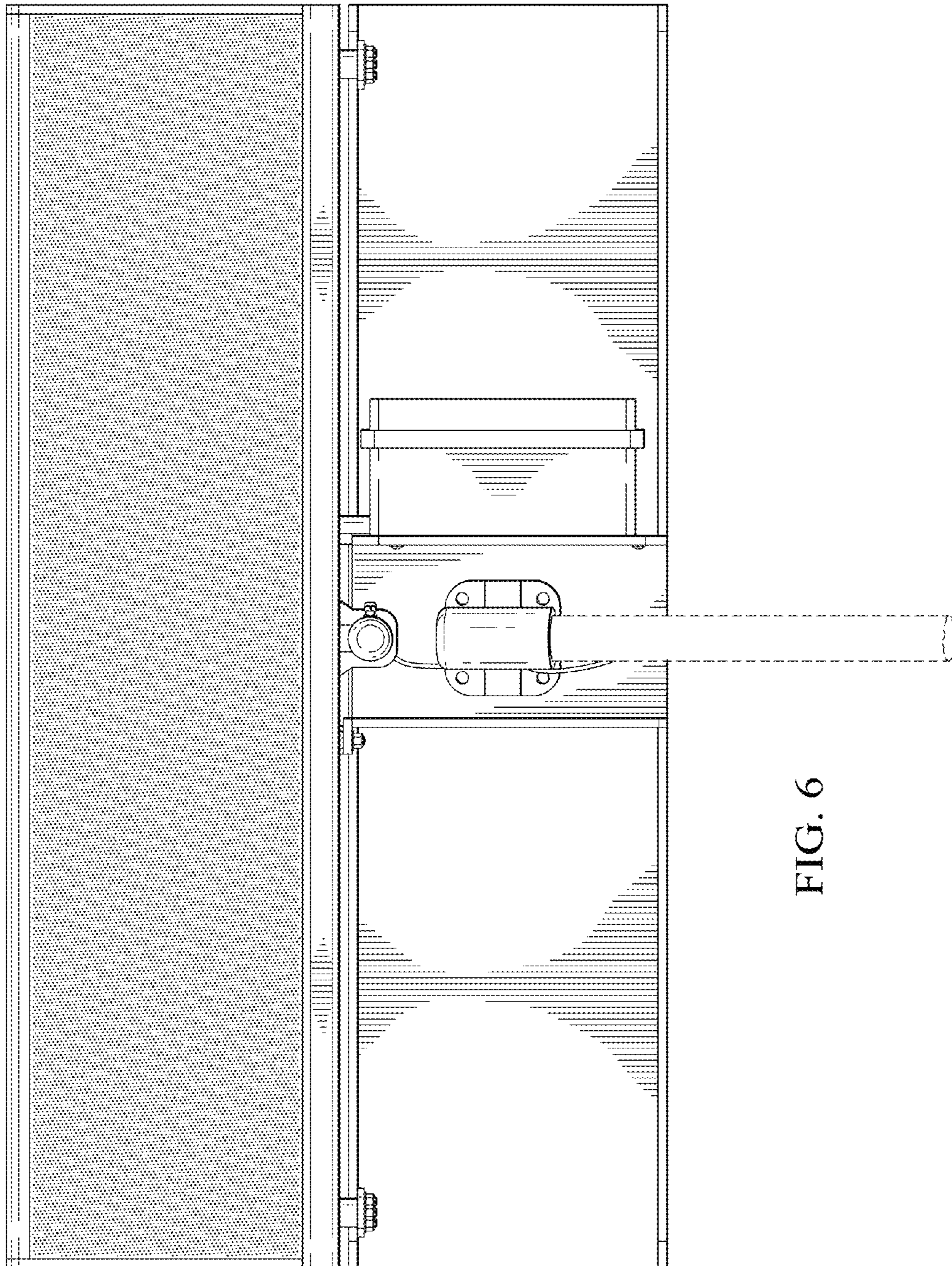


FIG. 6

