



US00D718586S

(12) **United States Design Patent**
Jiang

(10) **Patent No.:** **US D718,586 S**

(45) **Date of Patent:** **** Dec. 2, 2014**

(54) **PALM WRENCH**

(71) Applicant: **Zheng-Cong Jiang**, Taichung (TW)

(72) Inventor: **Zheng-Cong Jiang**, Taichung (TW)

(**) Term: **14 Years**

(21) Appl. No.: **29/491,168**

(22) Filed: **May 19, 2014**

(51) **LOC (10) Cl.** **08-05**

(52) **U.S. Cl.**
USPC **D8/25**

(58) **Field of Classification Search**
USPC 81/58, 58.1, 59.1, 60, 61, 62, 63, 63.1,
81/63.2, 121.1, 125, 177.1, 177.2, 177.85,
81/180.1, 489; D8/25
See application file for complete search history.

(56) **References Cited**

U.S. PATENT DOCUMENTS

| | | | | | |
|-----------|-----|---------|--------------|-------|----------|
| 5,152,196 | A * | 10/1992 | Garrett | | 81/58.1 |
| D371,298 | S * | 7/1996 | Reddy et al. | | D8/107 |
| 5,542,322 | A * | 8/1996 | Knox et al. | | 81/177.6 |
| 5,572,912 | A * | 11/1996 | Gasparre | | 81/121.1 |
| D496,845 | S * | 10/2004 | Smeja et al. | | D8/107 |
| D524,613 | S * | 7/2006 | Chen | | D8/25 |
| D556,007 | S * | 11/2007 | Hung | | D8/107 |

| | | | | | |
|-----------|------|---------|-------------|-------|----------|
| 7,290,465 | B2 * | 11/2007 | Gao et al. | | 81/62 |
| D644,901 | S * | 9/2011 | Christopher | | D8/83 |
| D657,214 | S * | 4/2012 | Chen | | D8/25 |
| 8,261,639 | B2 * | 9/2012 | Liao | | 81/177.1 |
| D675,893 | S * | 2/2013 | Chen | | D8/25 |
| D689,752 | S * | 9/2013 | Alho et al. | | D8/25 |

* cited by examiner

Primary Examiner — Randall Gholson

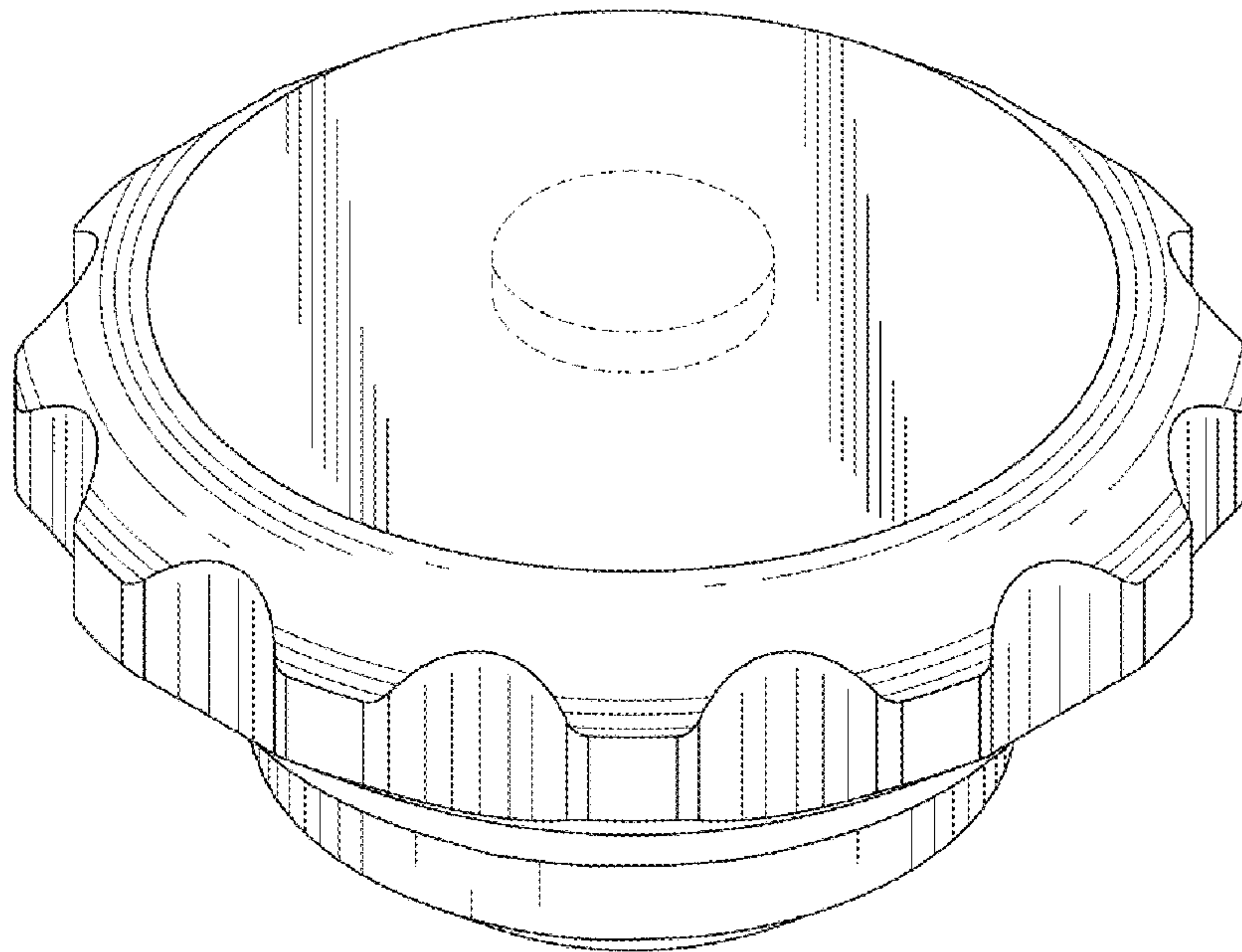
(57) **CLAIM**

The ornamental design for a palm wrench, as shown and described.

DESCRIPTION

FIG. 1 is a top side perspective view of a palm wrench illustrating my new design;
FIG. 2 is a front elevational view thereof;
FIG. 3 is a rear elevational view thereof;
FIG. 4 is a left side view thereof;
FIG. 5 is a right side view thereof;
FIG. 6 is a top plan view thereof;
FIG. 7 is a bottom plan view thereof; and,
FIG. 8 is a bottom side perspective view thereof.
The broken line showing of the core is for the purpose of illustrating portions of the palm wrench and forms no part of the claimed design.

1 Claim, 5 Drawing Sheets



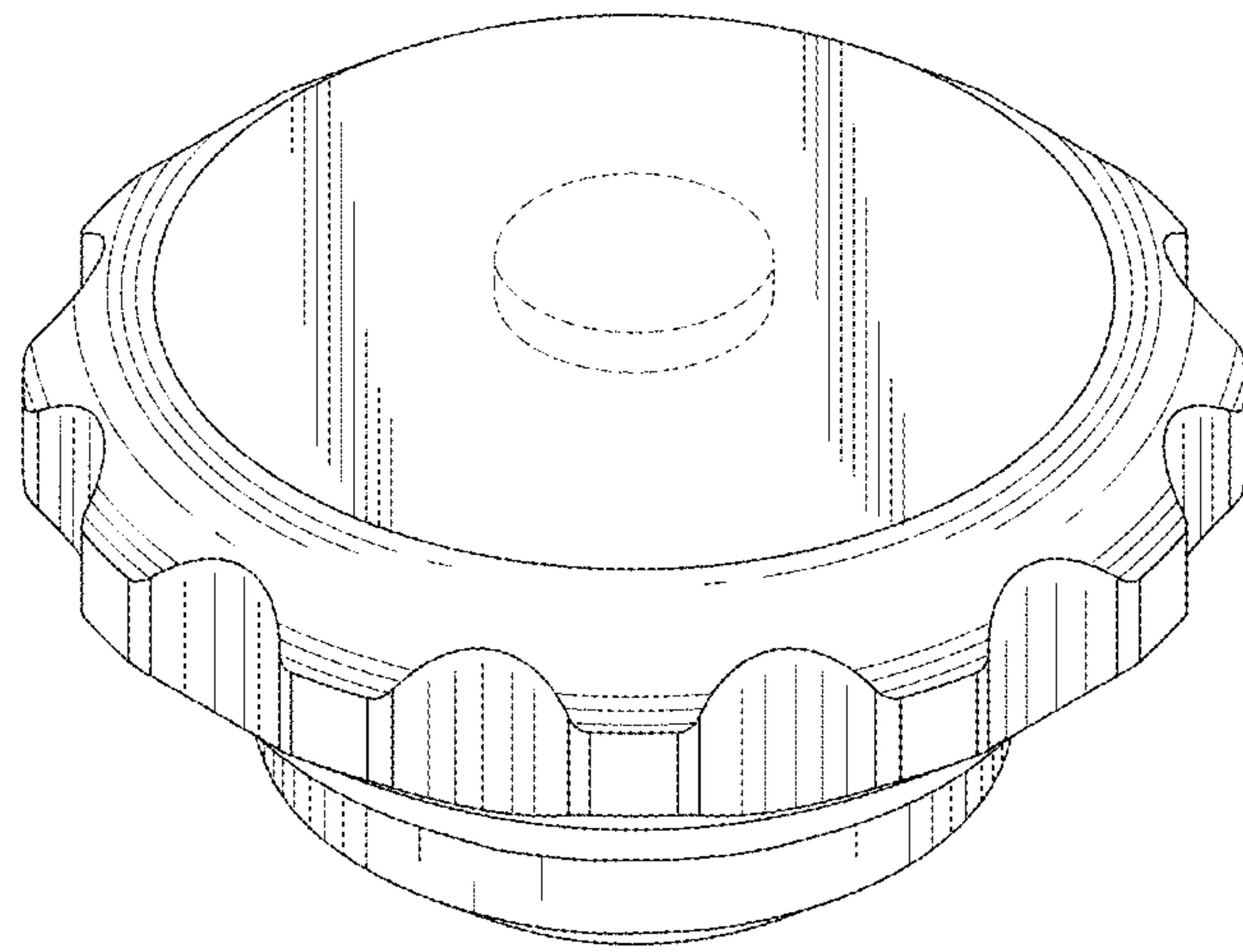


FIG.1

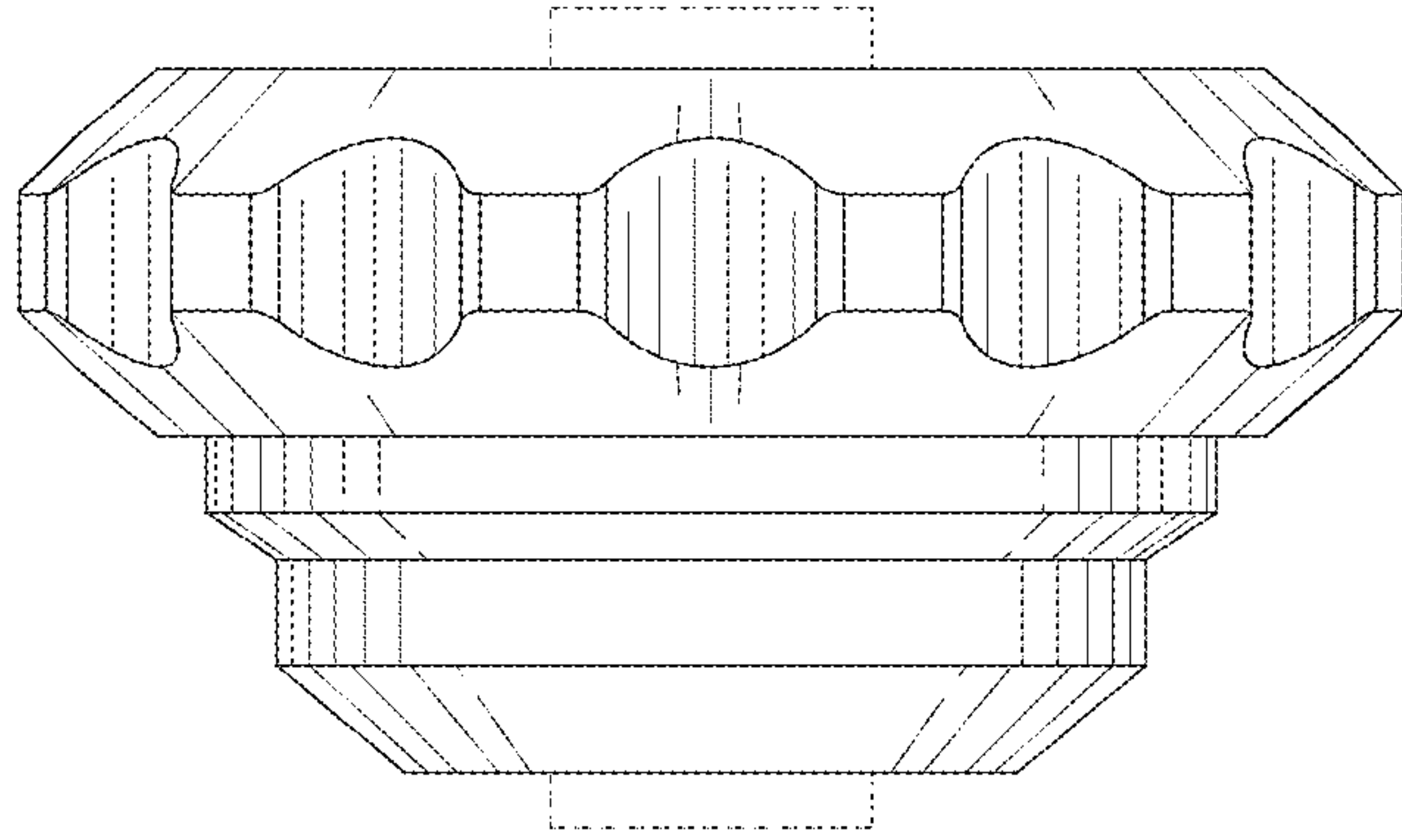


FIG. 2

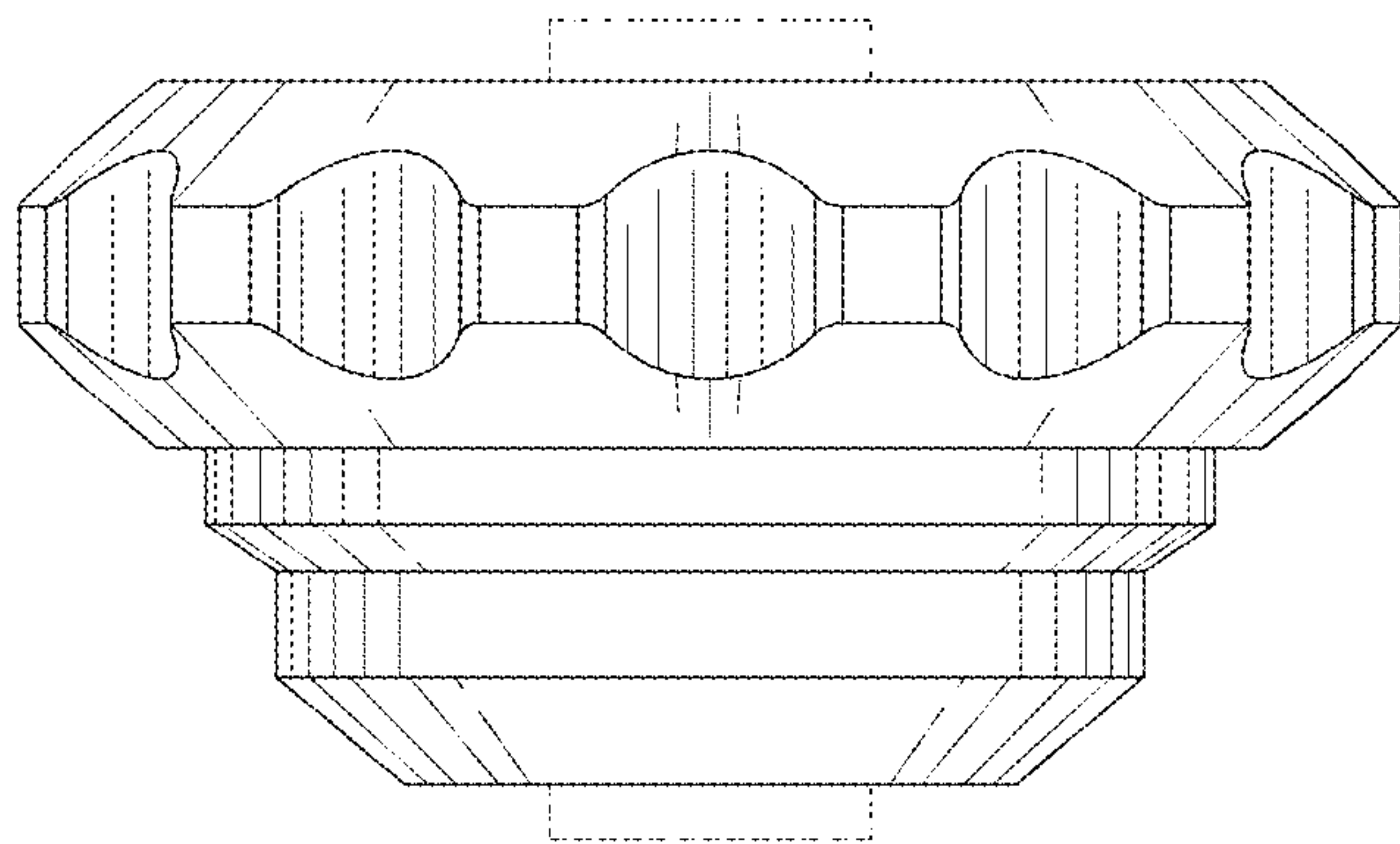


FIG. 3

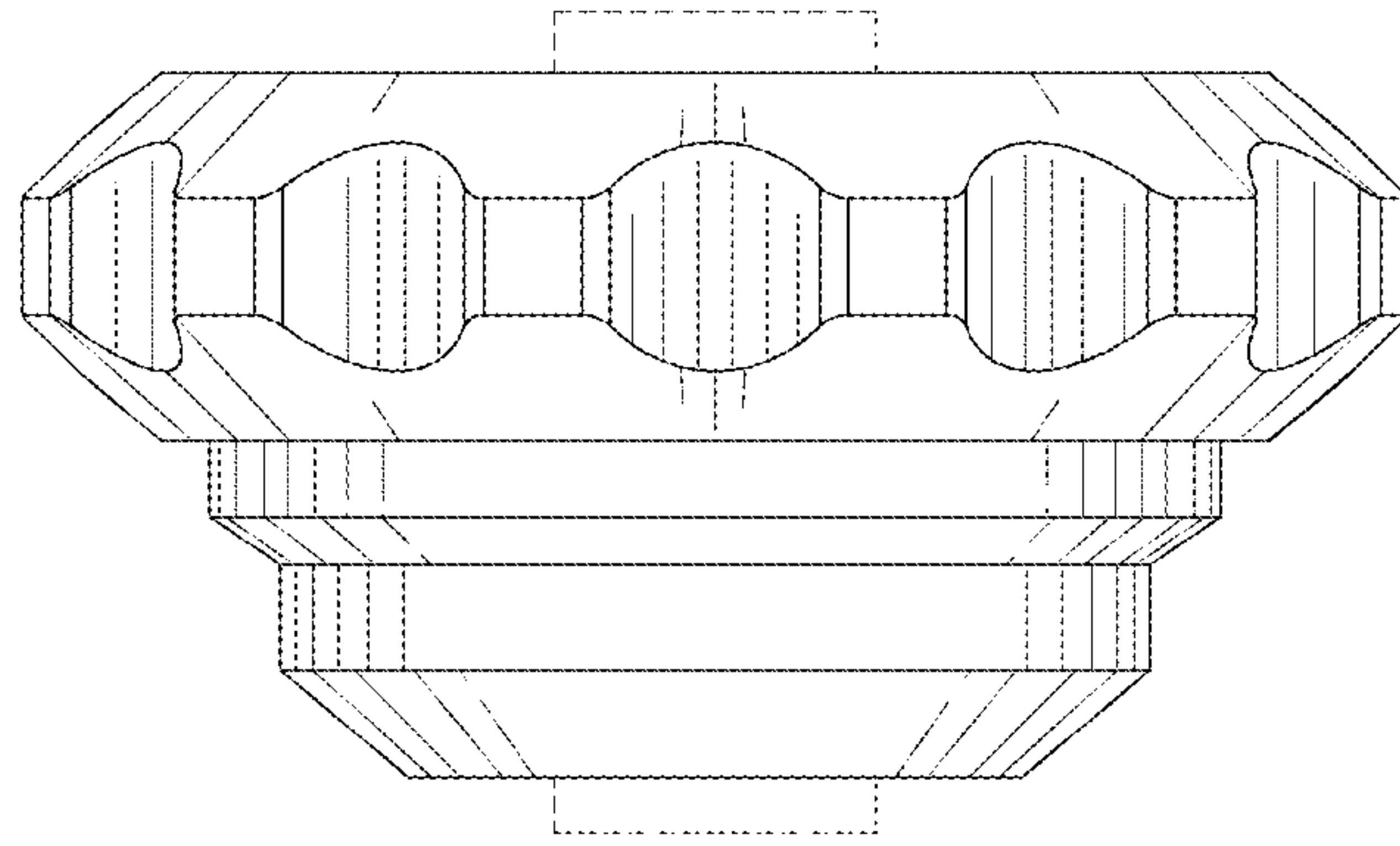


FIG.4

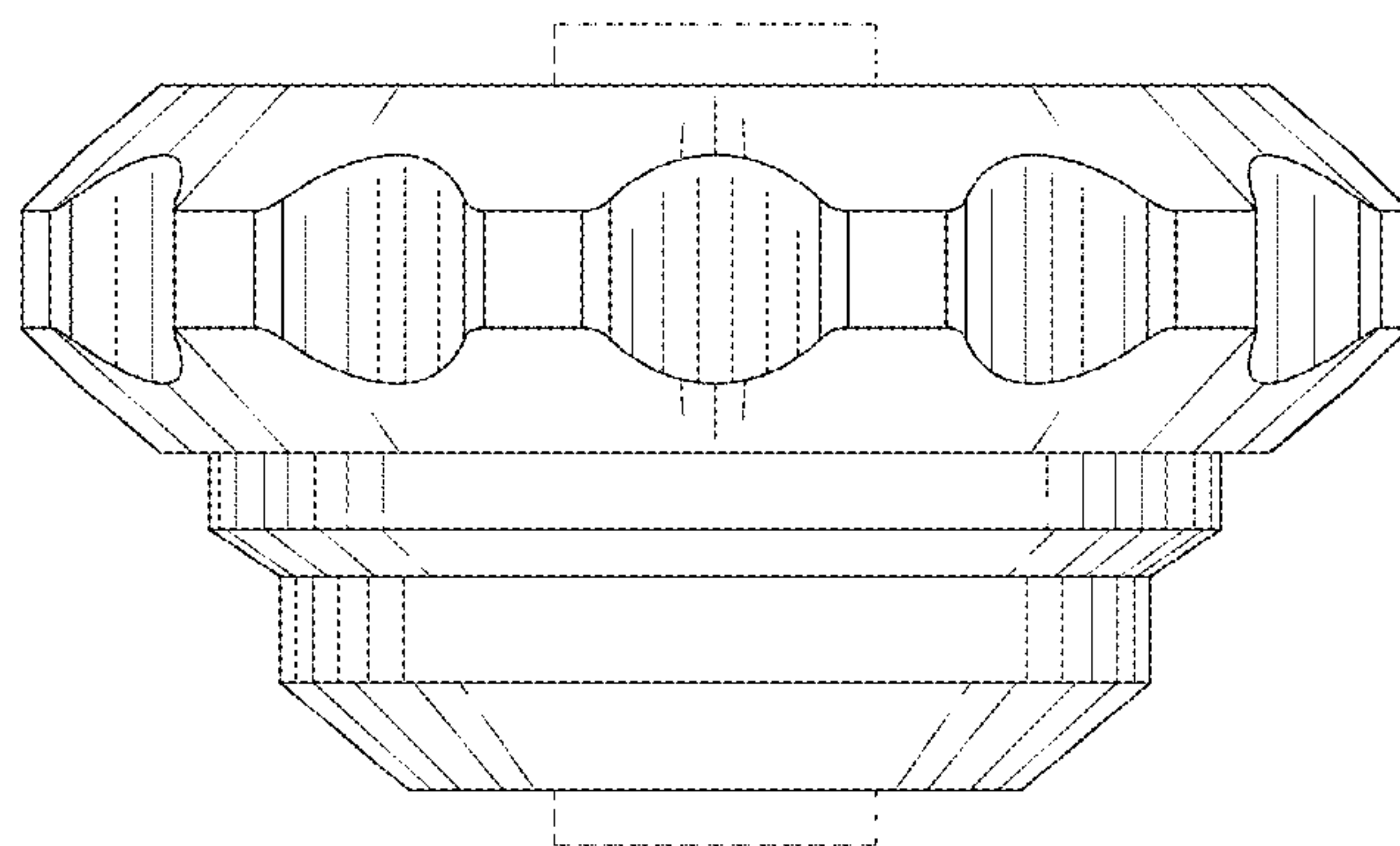


FIG.5

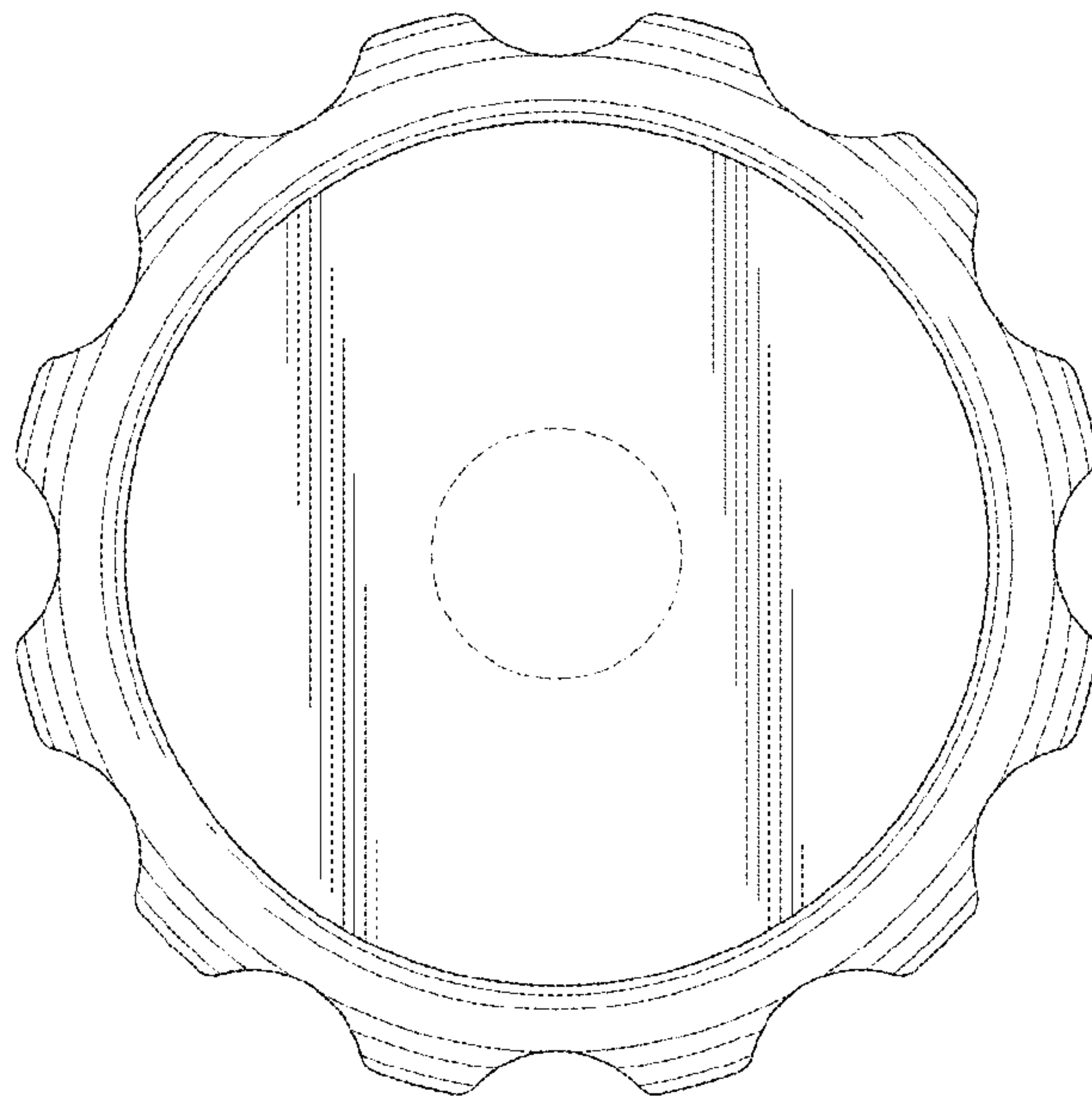


FIG. 6

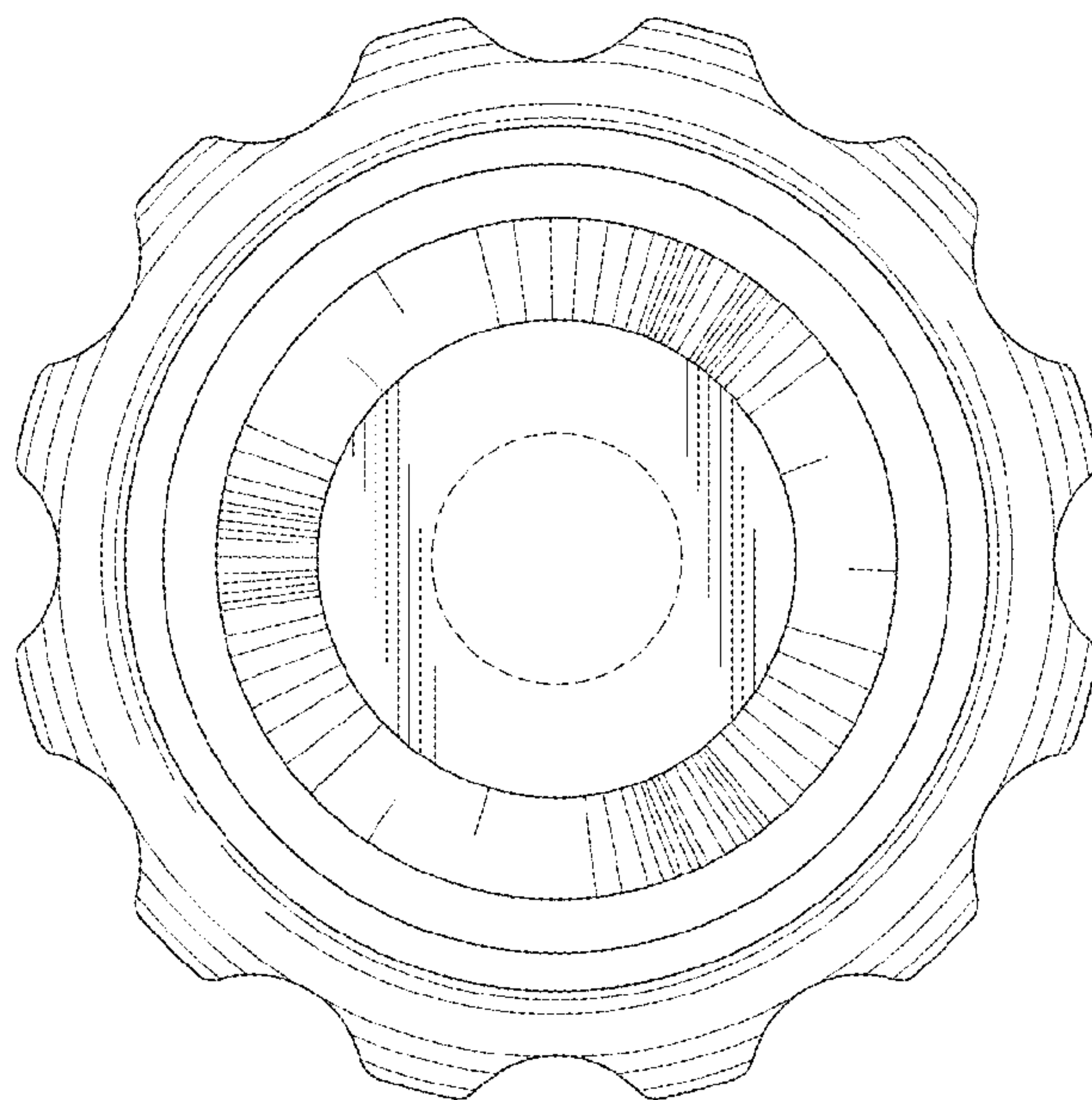


FIG. 7

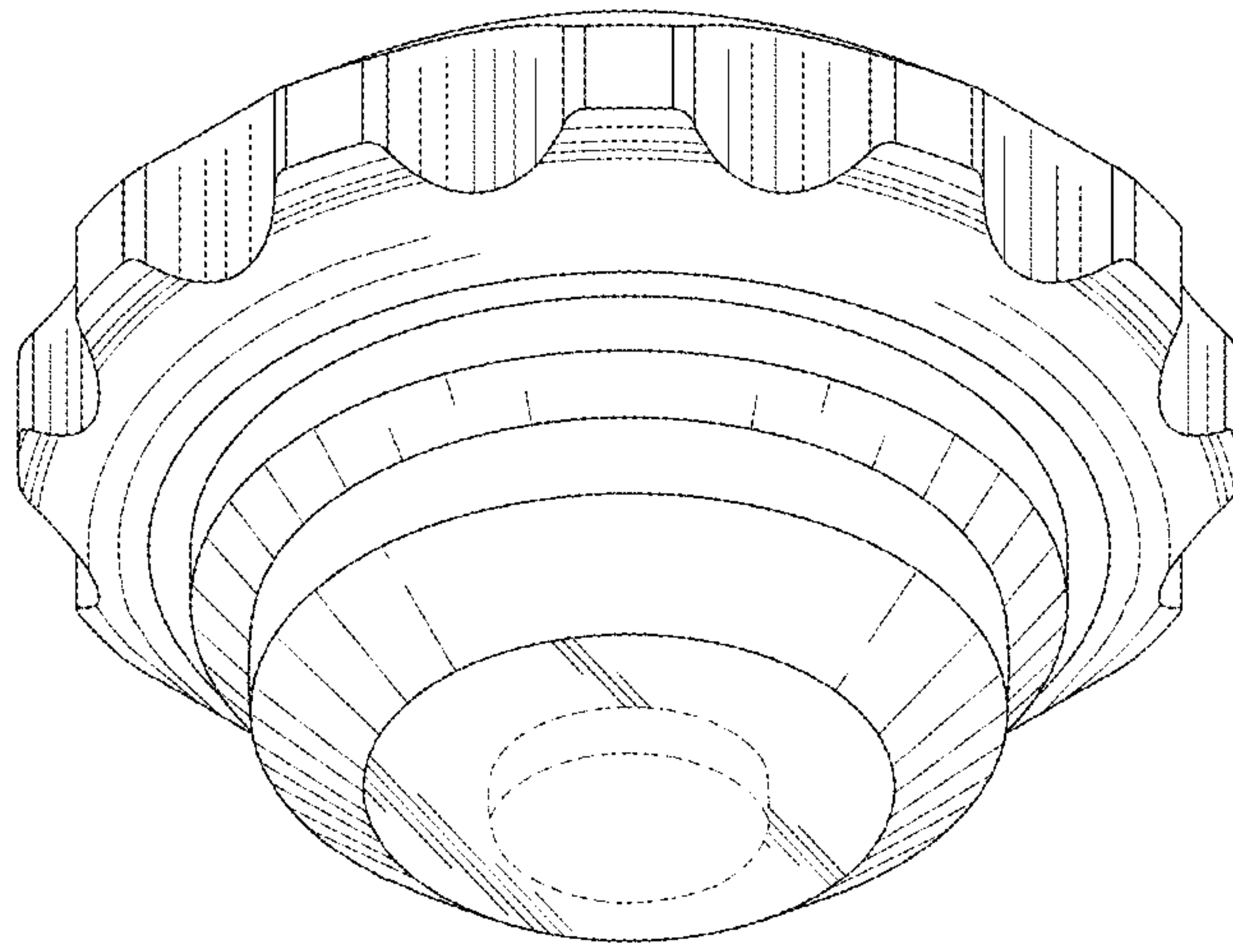


FIG.8