



US00D718585S

(12) **United States Design Patent**
Zieger

(10) **Patent No.:** **US D718,585 S**

(45) **Date of Patent:** **** Dec. 2, 2014**

- (54) **PUNCH DOWN TOOL**
- (71) Applicant: **Peter Zieger**, Arlington Heights, IL (US)
- (72) Inventor: **Peter Zieger**, Arlington Heights, IL (US)
- (73) Assignee: **Klein Tools, Inc.**, Lincolnshire, IL (US)
- (**) Term: **14 Years**
- (21) Appl. No.: **29/448,418**
- (22) Filed: **Mar. 12, 2013**
- (51) **LOC (10) Cl.** **08-05**
- (52) **U.S. Cl.**
USPC **D8/14**
- (58) **Field of Classification Search**
CPC B25B 13/065; B25B 13/06; B25B 13/48;
B25B 27/18; B25B 23/108; B25B 23/18;
B25B 13/485; B25B 15/02; B25B 13/481;
B25B 27/0057; B25B 27/06; B25B 13/56;
B25B 15/008; B25B 15/04; B25B 23/12;
B25B 13/04; B25B 13/107; B25B 13/486;
B25B 15/00; B25B 15/004
USPC D8/14, 25, 29, 33, 34, 40, 51, 107, 307,
D8/39, 354, 397; 81/3.4, 3.37, 60, 63.1,
81/63.2, 121.1, 125, 177.5; 285/39; 411/7,
411/60, 138, 260; 362/120; 7/108
See application file for complete search history.

D552,956 S * 10/2007 Wen D8/107
8,245,603 B2 * 8/2012 Piper et al. 81/121.1
8,443,508 B2 5/2013 Vogel et al.

(Continued)

OTHER PUBLICATIONS

Klein Punch Down Tool, picture, 1 page, Oct. 2012.

(Continued)

Primary Examiner — George D Kirschbaum

Assistant Examiner — Jennifer Watkins

(74) *Attorney, Agent, or Firm* — McDonnell Boehnen Hulbert & Berghoff LLP.

(57) **CLAIM**

The ornamental design for a punch down tool, as shown and described.

DESCRIPTION

FIG. 1 is a perspective view of a punch down tool having the inventive design;
FIG. 2 is a left side view of the punch down tool shown in FIG. 1;
FIG. 3 is a right side view of the punch down tool shown in FIG. 1;
FIG. 4 is a top view of the punch down tool shown in FIG. 1;
FIG. 5 is a bottom side view of the punch down tool shown in FIG. 1;
FIG. 6 is a front side view of the punch down tool shown in FIG. 1; and,
FIG. 7 is a back view of the punch down tool shown in FIG. 1.

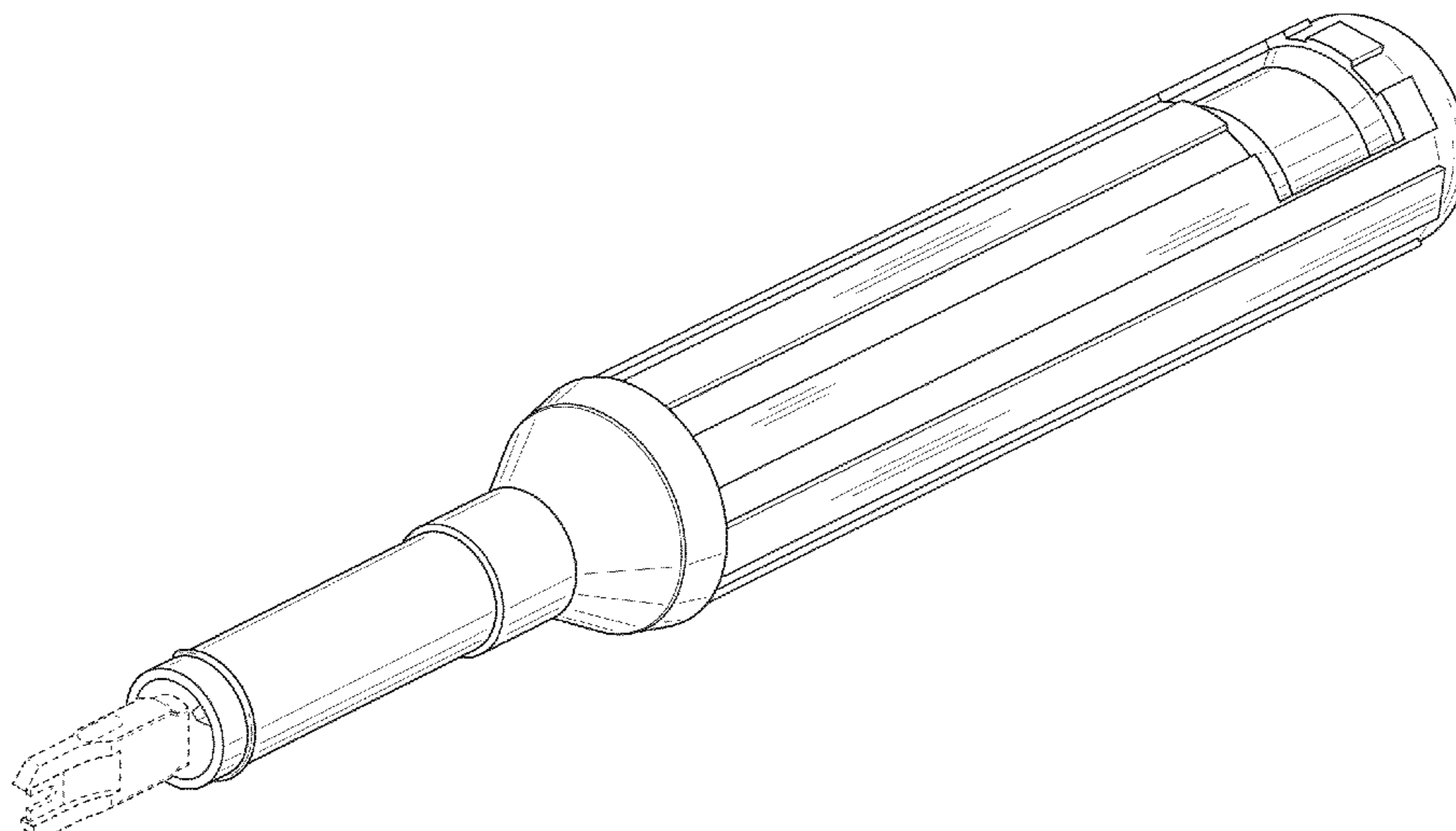
The broken lines in the drawings are for the purpose of illustrating portions of the punch down tool that form no part of the claimed design.

1 Claim, 3 Drawing Sheets

(56) **References Cited**

U.S. PATENT DOCUMENTS

- 1,603,985 A * 10/1926 Rosenberg 362/120
- 2,103,944 A * 12/1937 Gullborg 81/121.1
- 3,069,946 A * 12/1962 Zilliox 81/125
- 3,708,852 A 1/1973 Mason
- 5,195,230 A 3/1993 Krietzman
- 5,590,432 A * 1/1997 Taskey, Sr. 7/108
- D400,066 S * 10/1998 Kelsey et al. D8/14
- 5,904,080 A 5/1999 Anderson
- D468,603 S * 1/2003 Lee D8/51



US D718,585 S

Page 2

(56)

References Cited

2014/0133135 A1* 5/2014 Chen 362/120

U.S. PATENT DOCUMENTS

D691,015 S * 10/2013 Hyma et al. D8/83
8,621,961 B2 * 1/2014 Burch et al. 81/9.4
2006/0236822 A1 * 10/2006 Nish 81/125
2010/0306990 A1 12/2010 Vogel et al.
2014/0123397 A1 * 5/2014 Powers 7/108

OTHER PUBLICATIONS

Klein Tools, Introducing Interchangeable Multi-Bit Screwdrivers/
Nut Drivers, www.kleintools.com, Brochure, 4 pages, 2011.

* cited by examiner

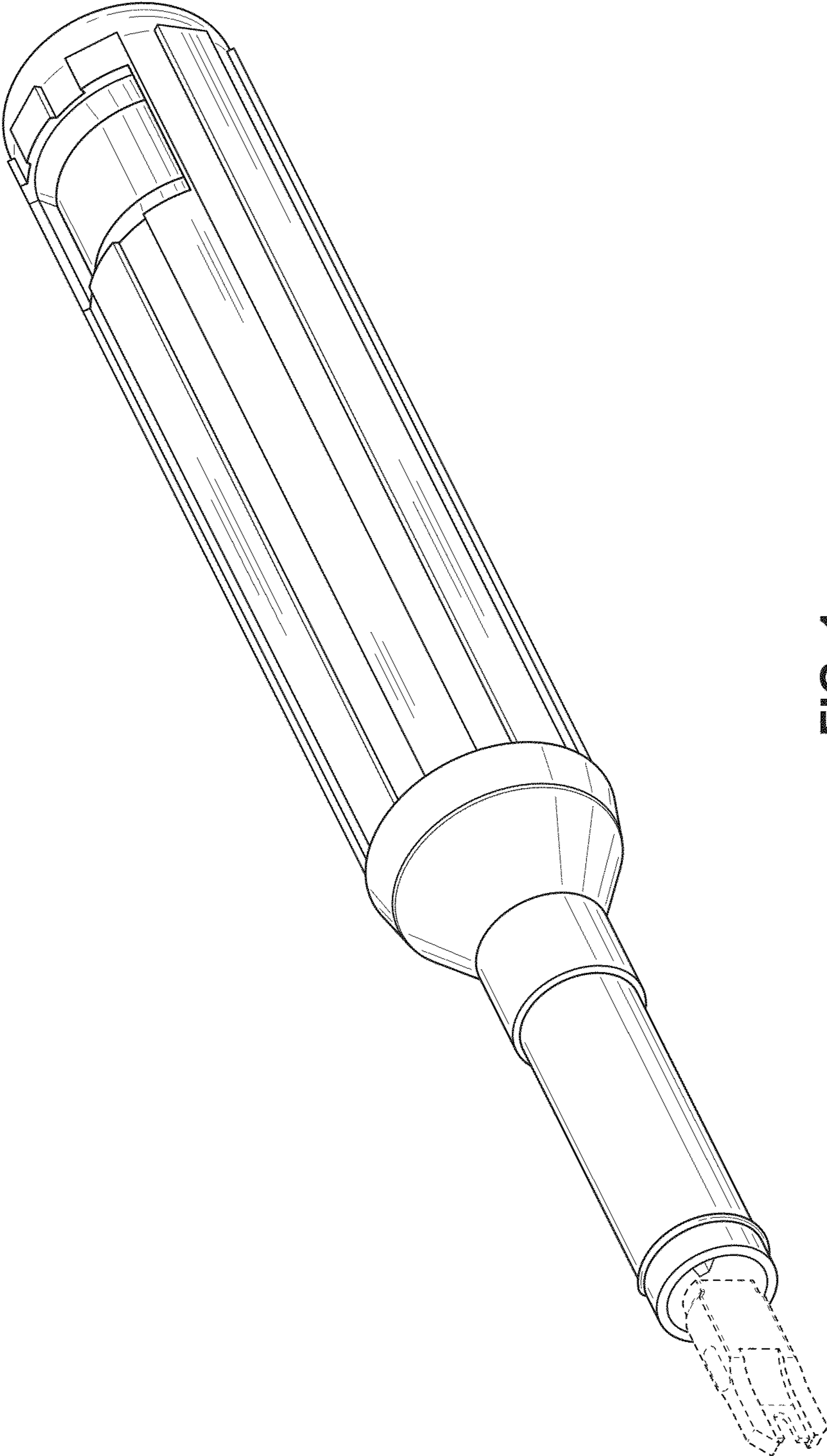


FIG. 1

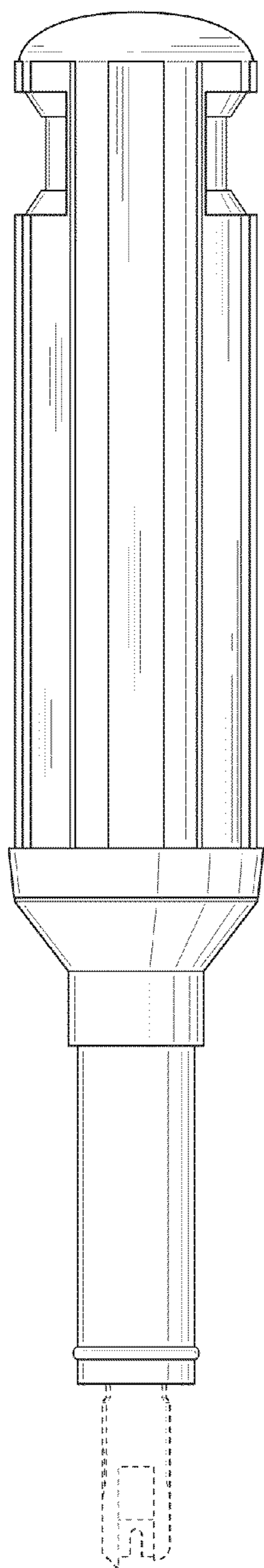


FIG. 2

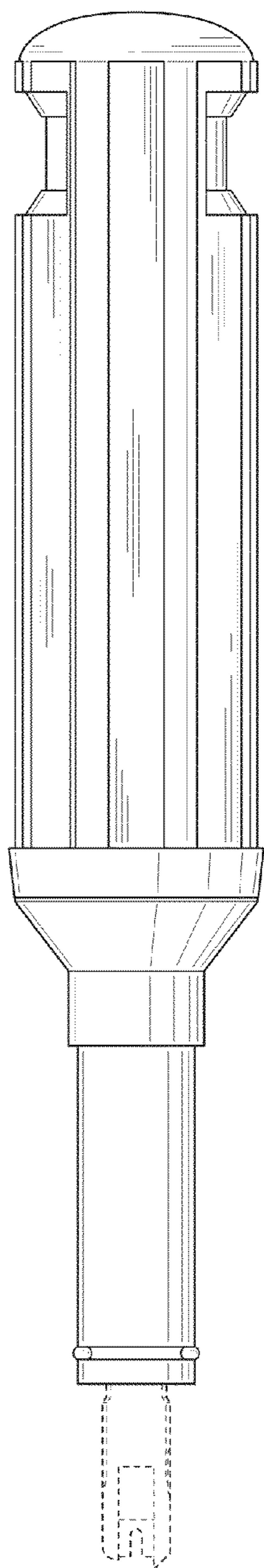


FIG. 3

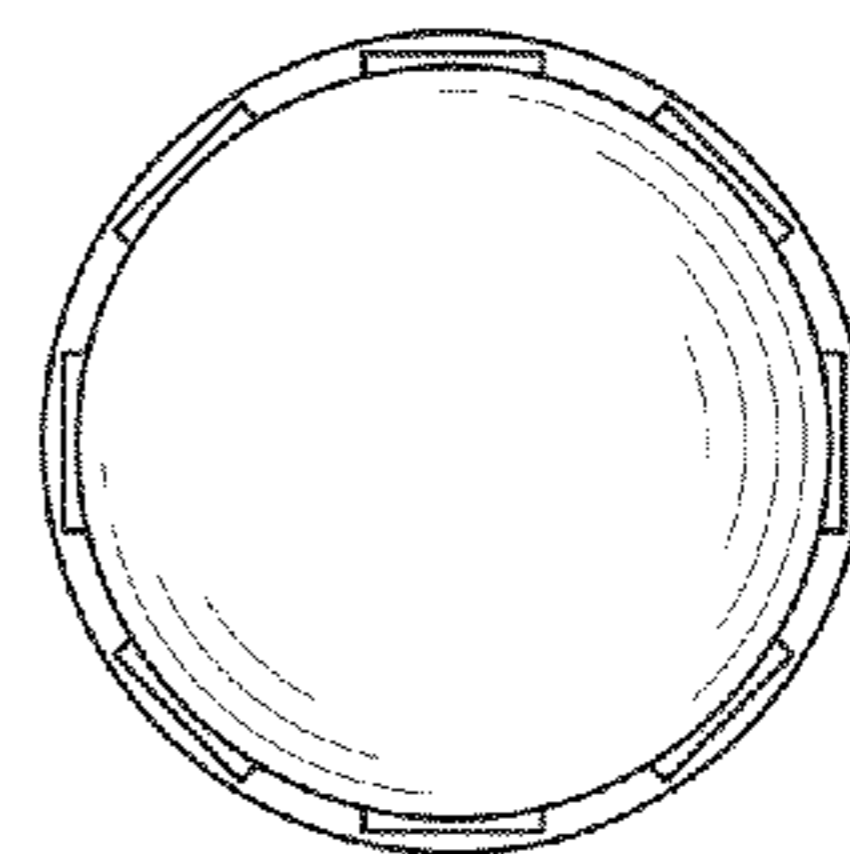


FIG. 5

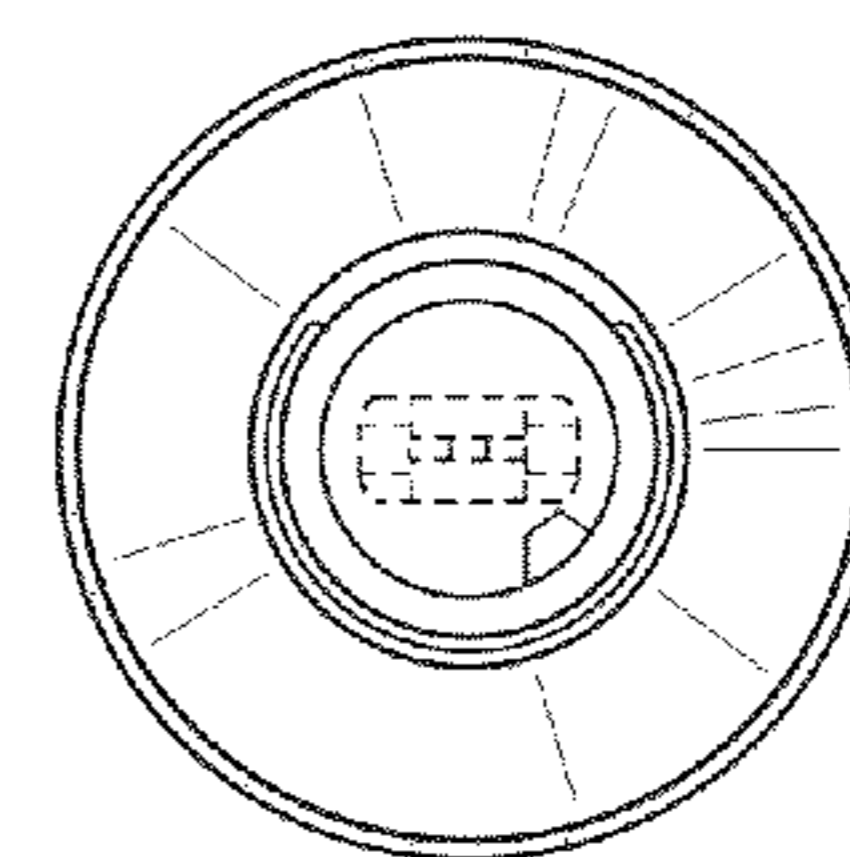


FIG. 4

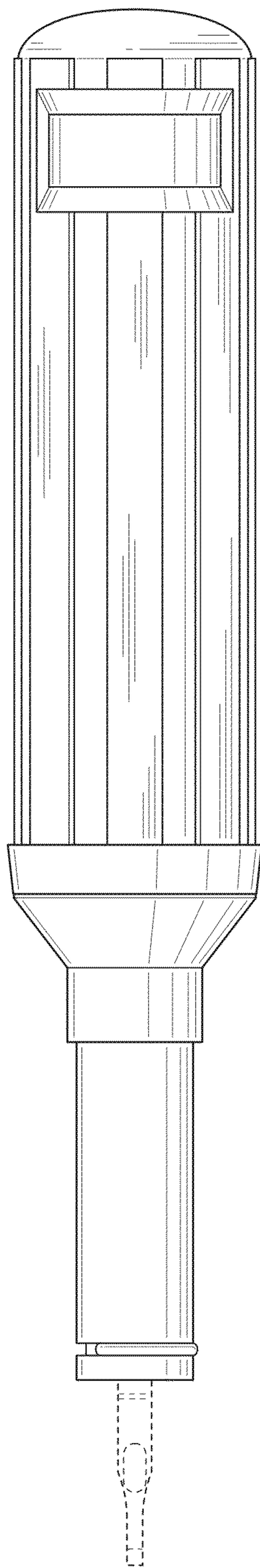


FIG. 6

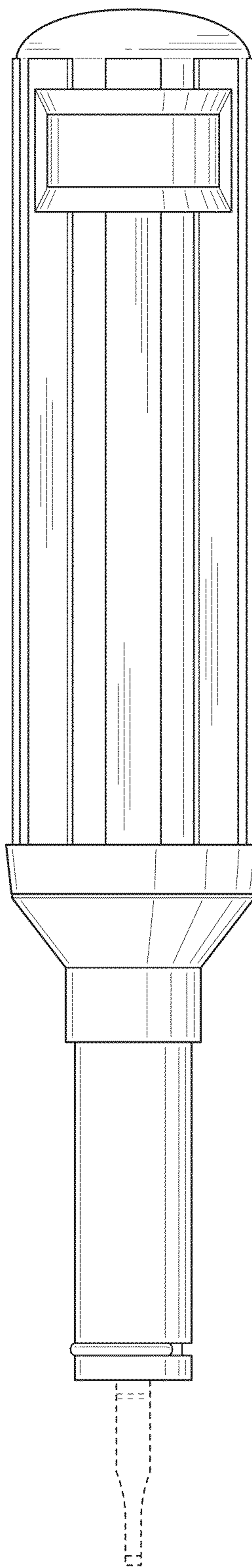


FIG. 7