



US00D718584S

(12) **United States Design Patent**  
**Seehoff et al.**

(10) **Patent No.:** **US D718,584 S**  
(45) **Date of Patent:** **\*\* Dec. 2, 2014**

(54) **GARDEN TOOL**

(56) **References Cited**

(75) Inventors: **Gary Stanley Seehoff**, Encino, CA  
(US); **Huy Kha Nguyen**, Anaheim, CA  
(US)  
(73) Assignee: **Evrholder Products, LLC**, Anaheim,  
CA (US)

U.S. PATENT DOCUMENTS

1,902,705 A *	3/1933	Kee .....	172/380
D136,086 S *	8/1943	Hudson .....	D30/158
4,378,670 A *	4/1983	Check et al. ....	56/400.01
D270,611 S *	9/1983	Check et al. ....	D8/9
D390,762 S *	2/1998	Douglas .....	D8/13
D519,007 S *	4/2006	Lin .....	D8/13

\* cited by examiner

(\*\*) Term: **14 Years**

*Primary Examiner* — Sheryl Lane

(21) Appl. No.: **29/424,888**

(57) **CLAIM**

The ornamental design for a garden tool, as shown and described.

(22) Filed: **Jun. 16, 2012**

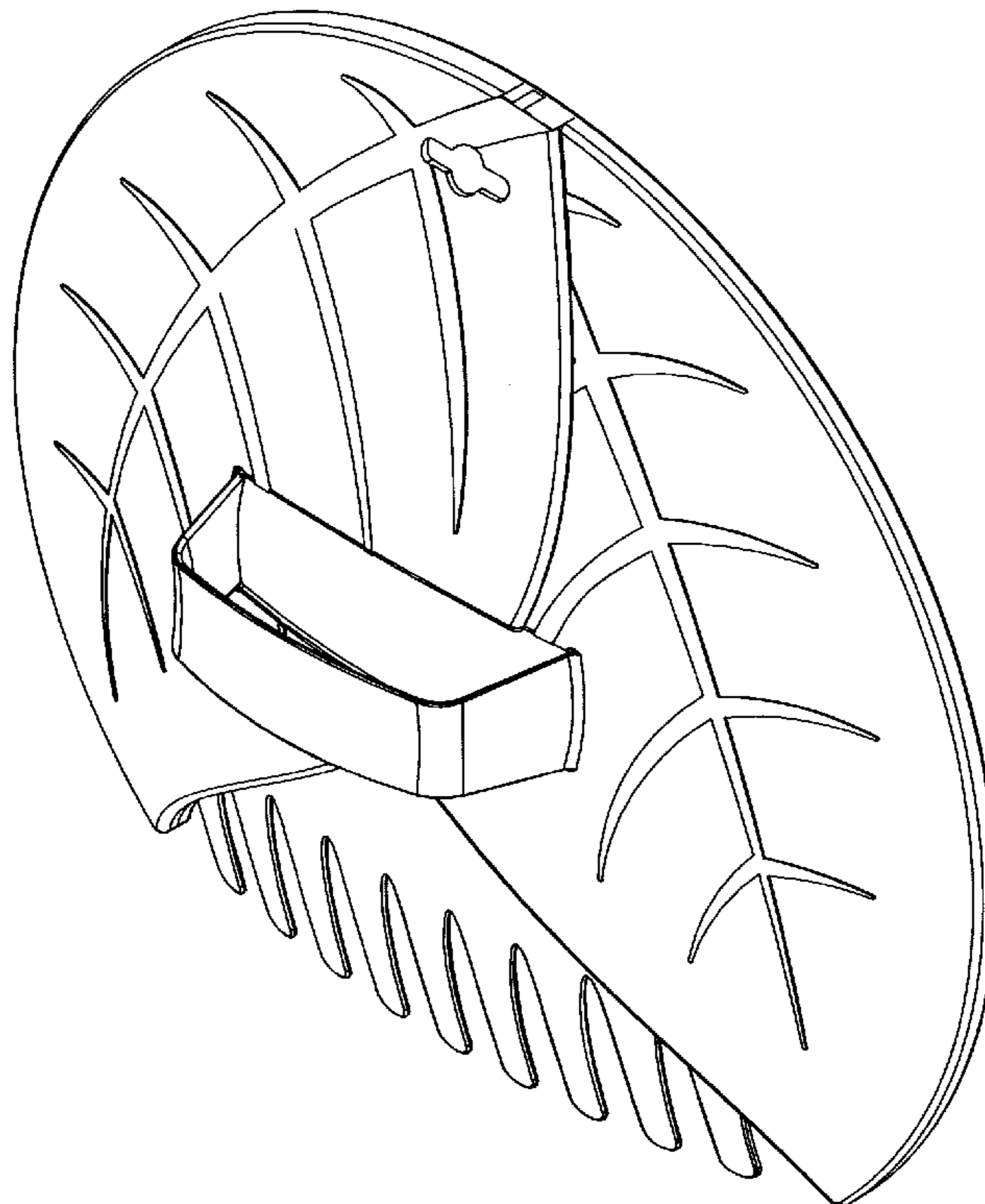
**DESCRIPTION**

(51) **LOC (10) Cl.** ..... **08-01**  
(52) **U.S. Cl.**  
USPC ..... **D8/13**  
(58) **Field of Classification Search**  
USPC ..... D8/1, 10, 13; D28/10; 56/400.01,  
56/400.04, 400.16, 400.17, 400.21;  
172/371-375; 294/50.8, 55, 176

FIG. 1 illustrates a top view of the claimed design for a garden tool;  
FIG. 2 illustrates a front view thereof;  
FIG. 3 illustrates a rear view thereof;  
FIG. 4 illustrates a left-side view thereof;  
FIG. 5 illustrates a right-side view thereof;  
FIG. 6 illustrates a bottom view thereof;  
FIG. 7 illustrates a cross-sectional view thereof, taken along line A-A of FIG. 1; and,  
FIG. 8 illustrates a perspective view thereof.

See application file for complete search history.

**1 Claim, 8 Drawing Sheets**



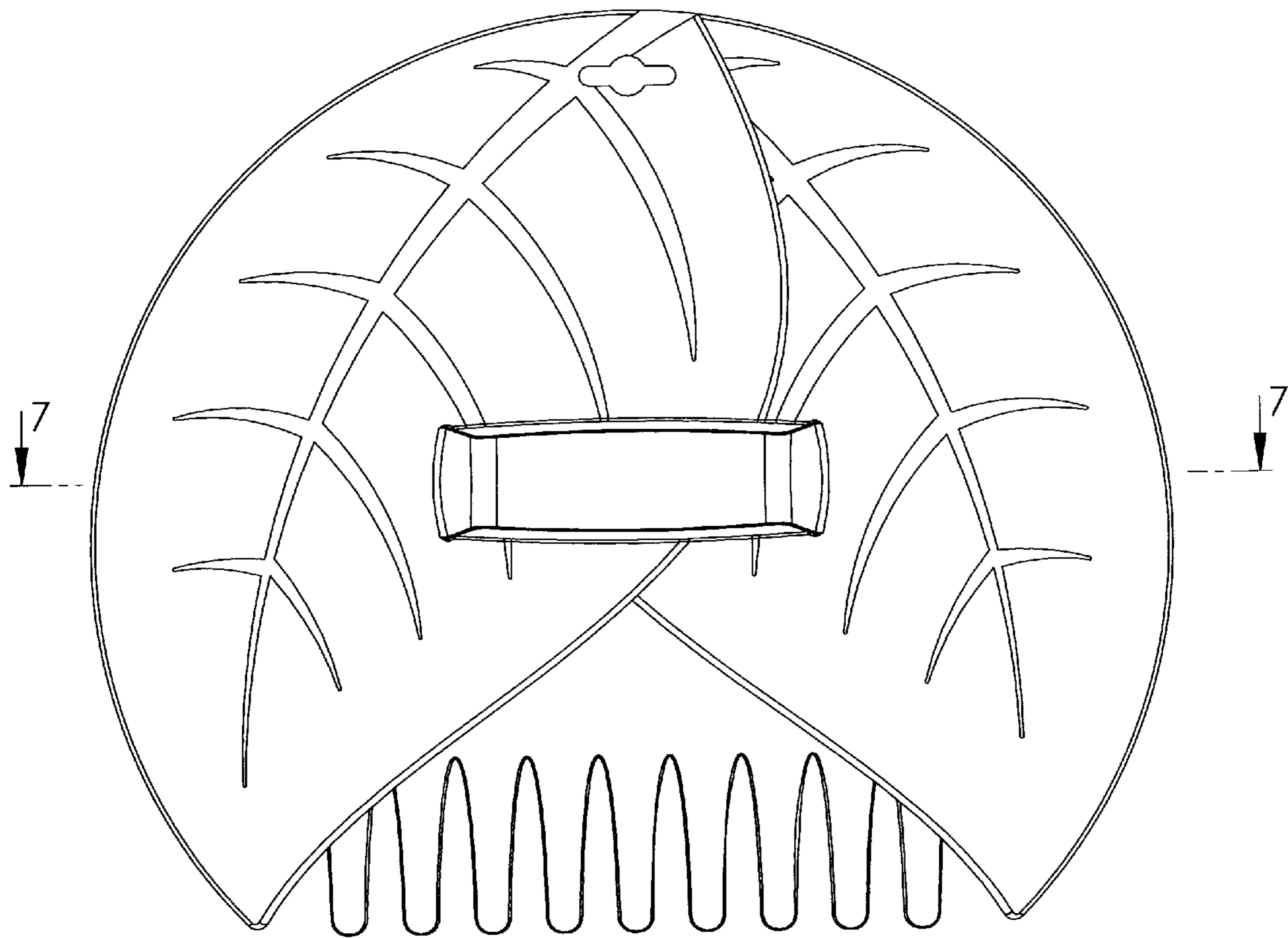


FIG 1

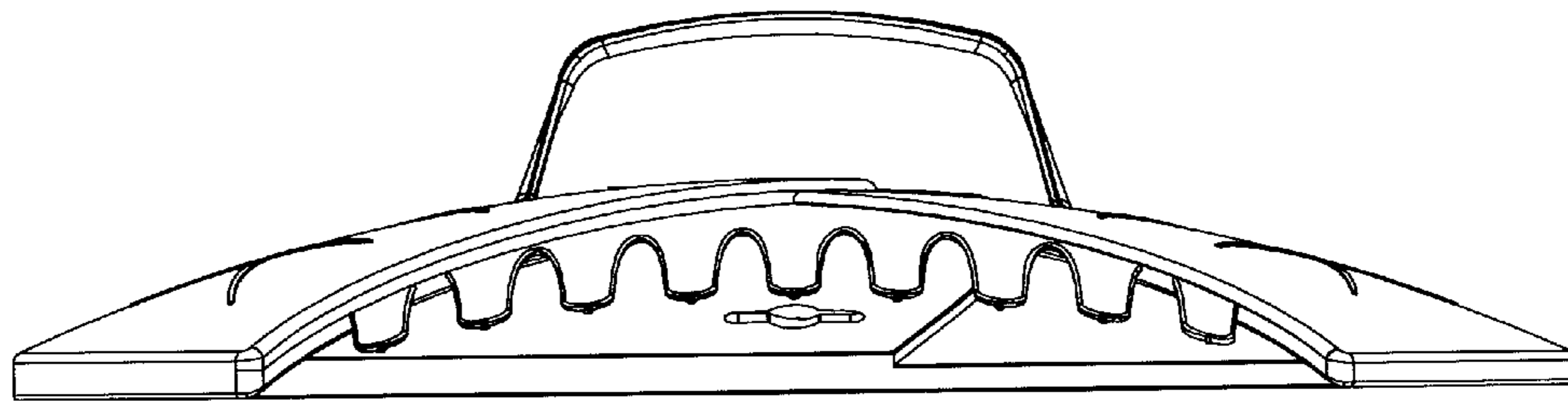


FIG 2

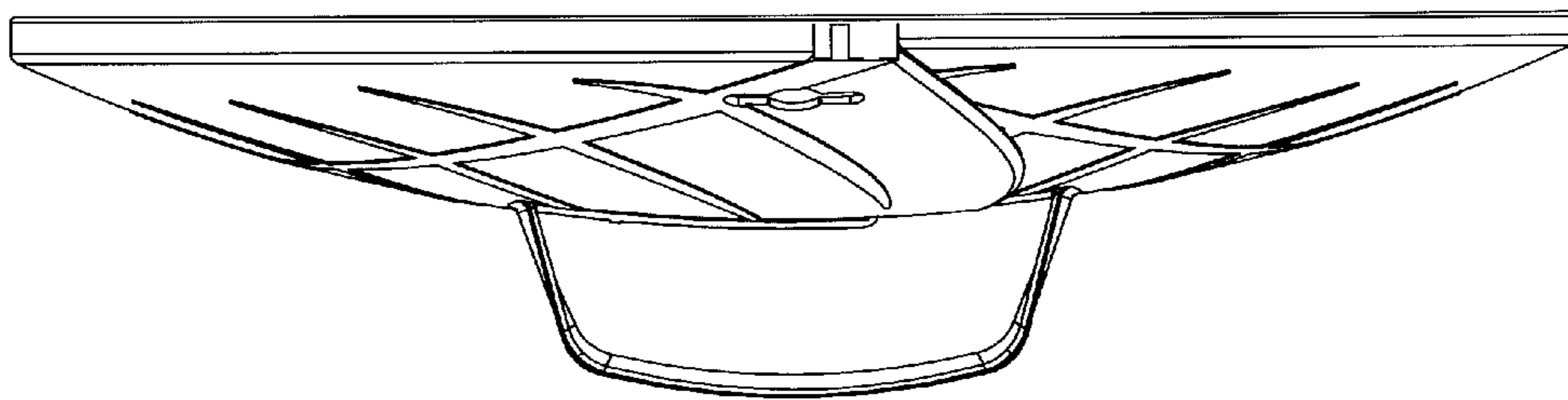


FIG 3

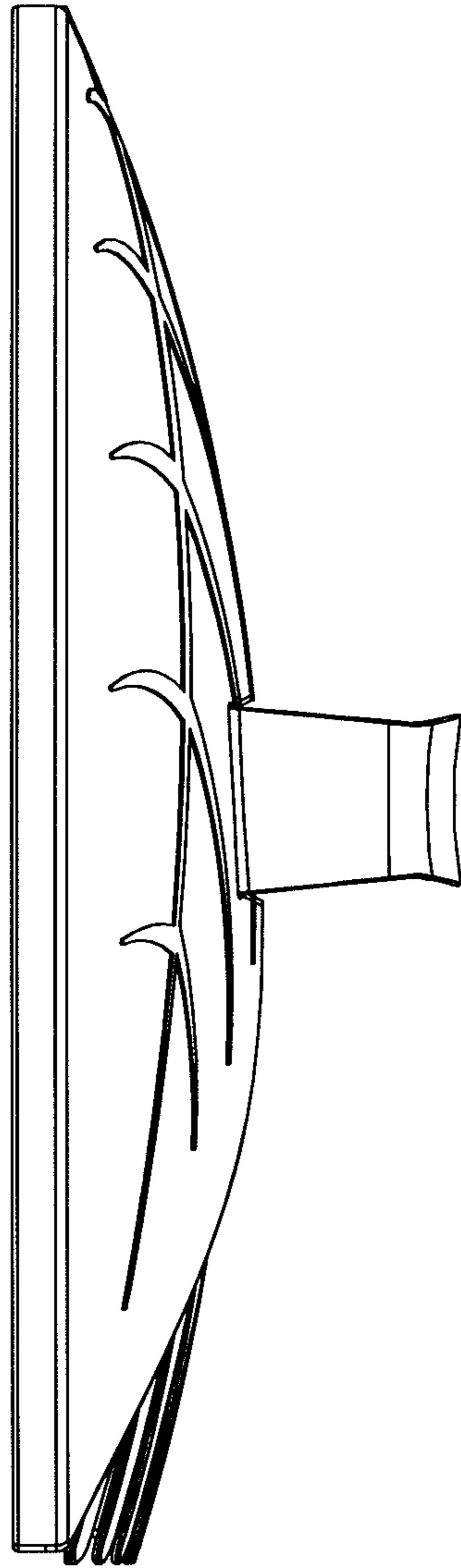


FIG 4

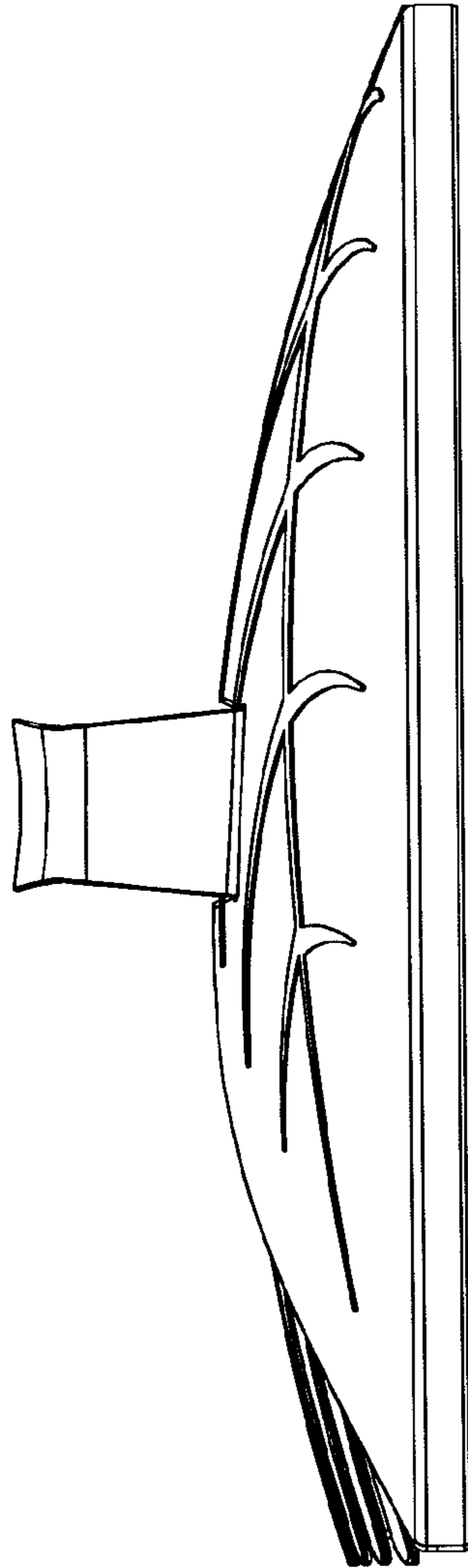


FIG 5

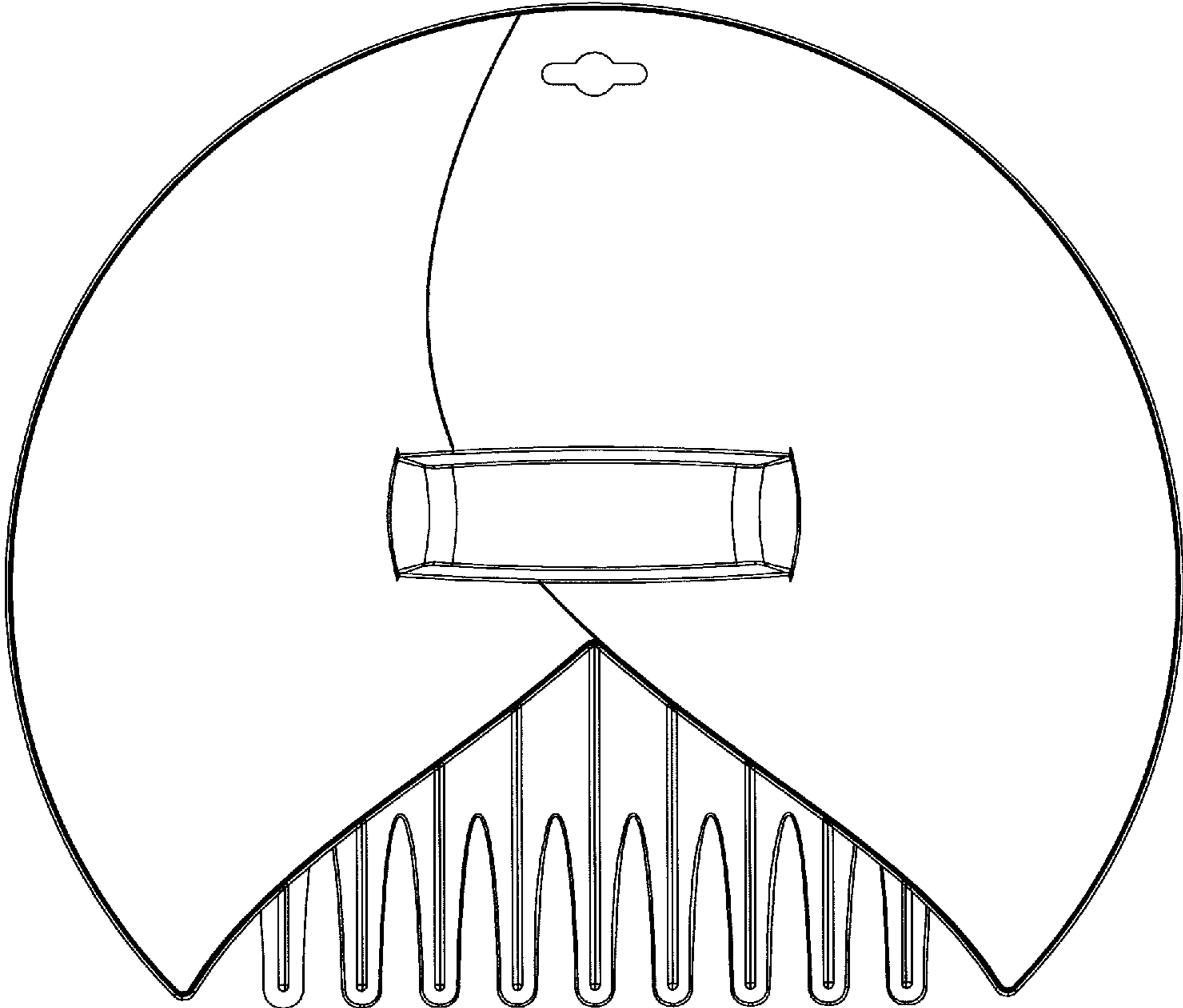


FIG 6

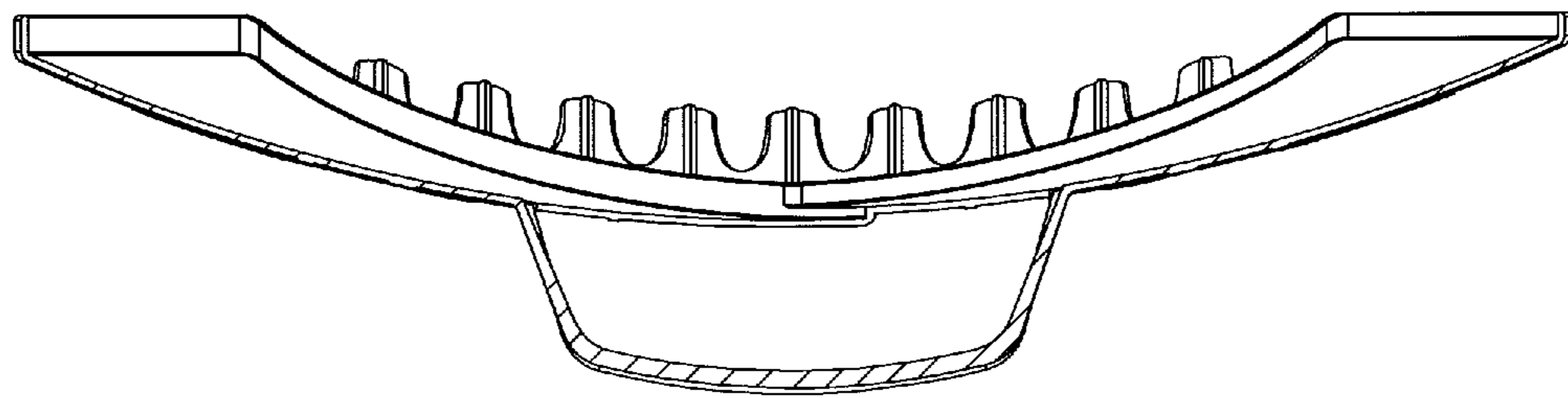


FIG 7



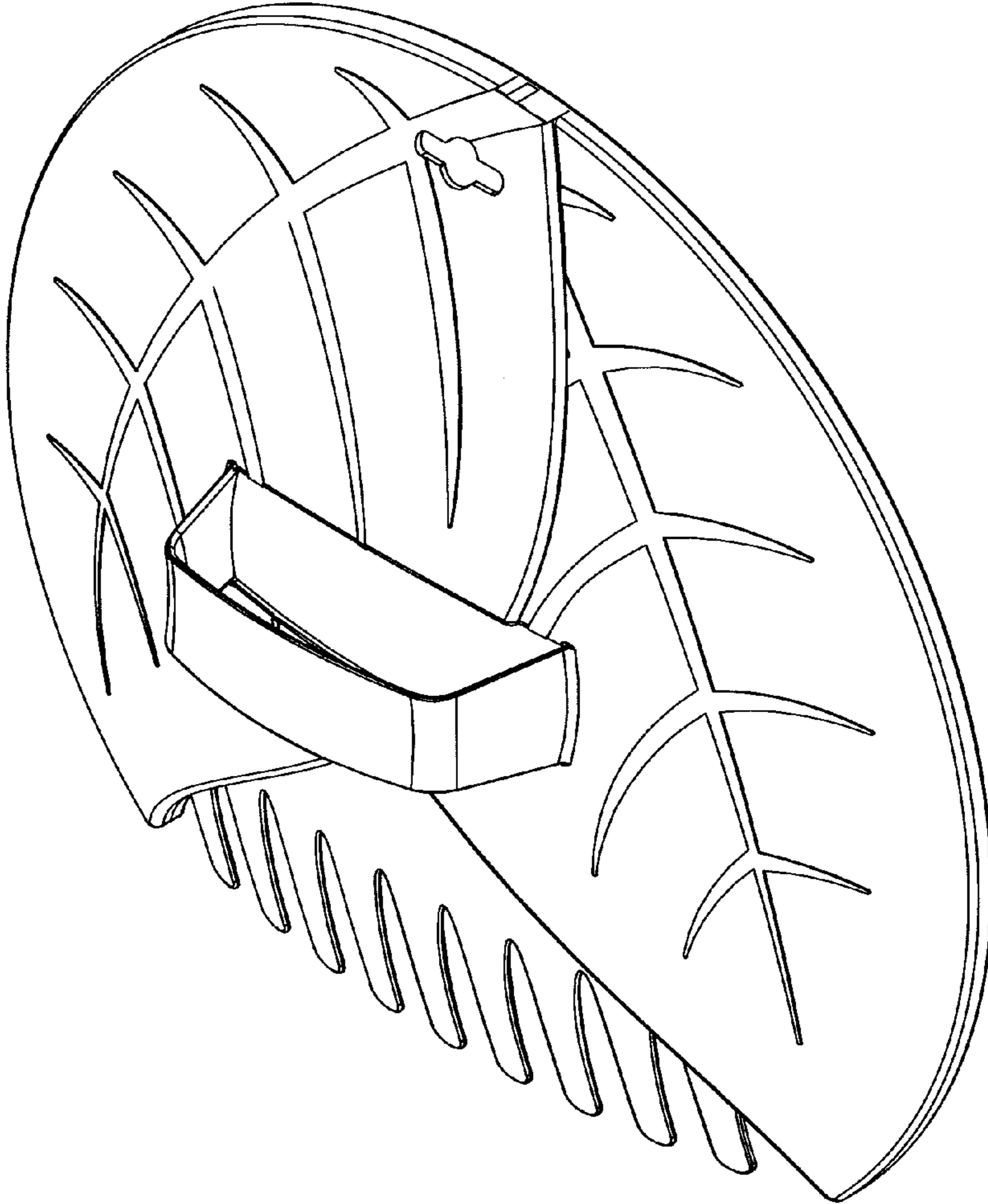


FIG 8