



US00D718582S

(12) **United States Design Patent**  
**Parijogi**

(10) **Patent No.:** **US D718,582 S**

(45) **Date of Patent:** **\*\* Dec. 2, 2014**

(54) **CUTTING BOARD**

(71) Applicant: **Sujuri Oü**, Voru (EE)

(72) Inventor: **Ahti Parijogi**, Voru (EE)

(73) Assignee: **Sujuri Ou**, Voru (EE)

(\*\*) Term: **14 Years**

(21) Appl. No.: **29/470,607**

(22) Filed: **Oct. 23, 2013**

(30) **Foreign Application Priority Data**

Apr. 23, 2013 (EM) ..... 002225177-0001

(51) **LOC (10) Cl.** ..... **07-04**

(52) **U.S. Cl.**  
USPC ..... **D7/698**

(58) **Field of Classification Search**

CPC ..... A47J 47/00; A47J 47/005; A47J 47/20;  
A47B 23/002; B26D 7/0006; B26D 7/018;  
B26D 7/20; B23D 21/00; B23K 37/04;  
B23K 37/053; B23Q 16/001; G01F 19/00;  
G01F 19/002  
USPC ..... D6/349, 406.5; D7/543, 549, 550.1,  
D7/586, 698-699; D32/55-57; D34/11;  
73/429; 99/444, 446, 449; 108/43;  
269/13-15, 25, 289 R, 291, 297-298,  
269/302.1, 315

See application file for complete search history.

(56) **References Cited**

U.S. PATENT DOCUMENTS

D152,153	S	*	12/1948	Harvey	.....	D6/349
D290,316	S	*	6/1987	Chiasson	.....	D6/406.5
5,448,913	A	*	9/1995	Robbins et al.	.....	73/429
D545,523	S	*	6/2007	Goldberg et al.	.....	D34/11
D574,200	S	*	8/2008	Pearl et al.	.....	D7/698
7,637,154	B1	*	12/2009	Robbins	.....	73/429
8,091,486	B1	*	1/2012	Broadrick	.....	108/43
D668,472	S	*	10/2012	Wong	.....	D6/406.5
D675,071	S	*	1/2013	Kramer	.....	D7/698
D677,130	S	*	3/2013	Robinson	.....	D7/698
D679,921	S	*	4/2013	Kiechler	.....	D6/406.5
D700,023	S	*	2/2014	Murison	.....	D7/698
2003/0227119	A1	*	12/2003	Jackson	.....	269/25

\* cited by examiner

*Primary Examiner* — Ricky Pham

(74) *Attorney, Agent, or Firm* — Muncy, Geissler, Olds & Lowe, P.C.

(57) **CLAIM**

The ornamental design for a cutting board, as shown and described.

**DESCRIPTION**

FIG. 1 is a perspective view of a cutting board according to the present invention.

FIG. 2 is a right side view of the cutting board of FIG. 1.

FIG. 3 is a left side view of the cutting board of FIG. 1.

FIG. 4 is a front side view of the cutting board of FIG. 1.

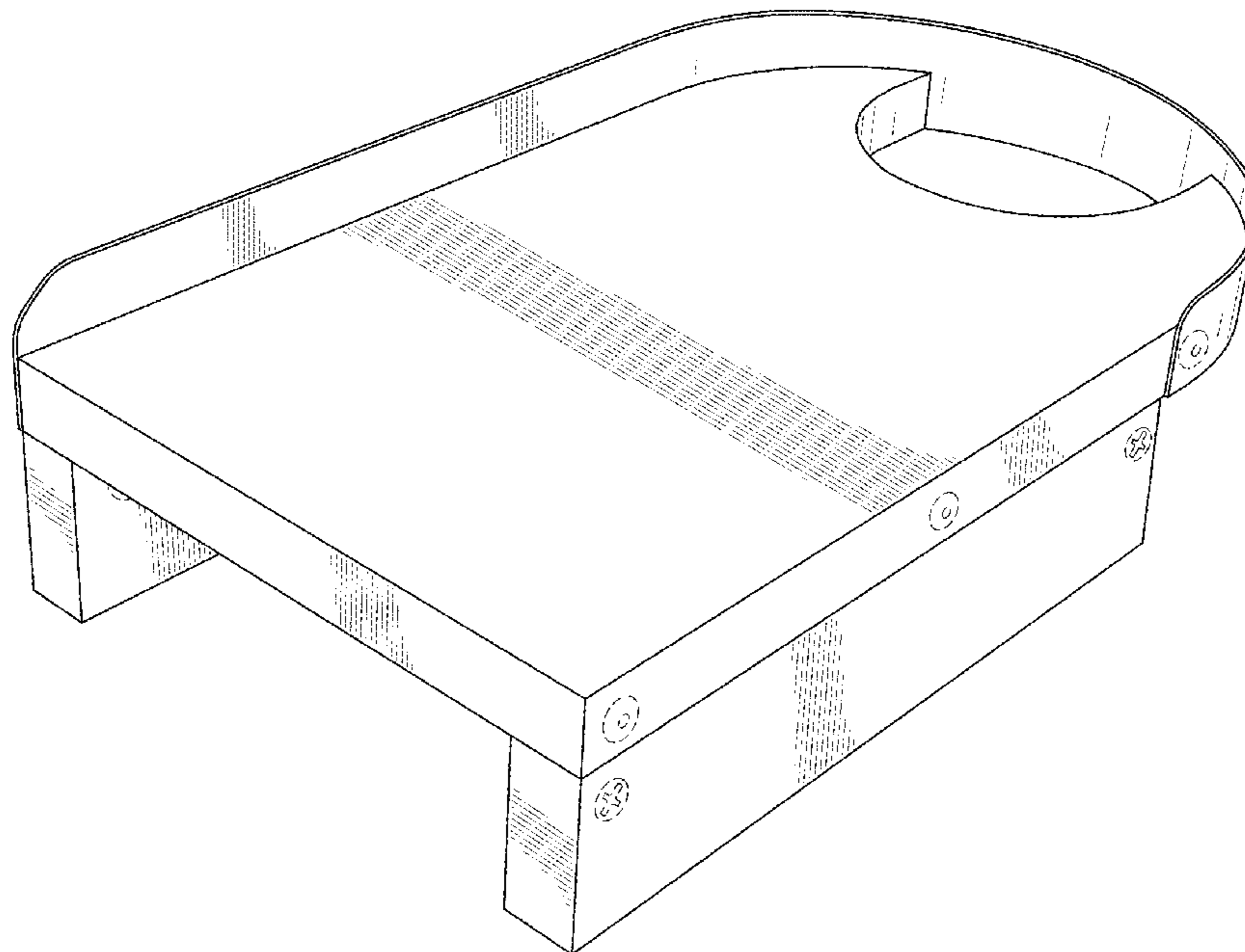
FIG. 5 is a rear side view of the cutting board of FIG. 1.

FIG. 6 is a top view of the cutting board of FIG. 1; and,

FIG. 7 is a bottom view of the cutting board of FIG. 1.

The dashed lines illustrate environment that does not form a part of the present invention, and no claim is made to the material illustrated with dashed lines.

**1 Claim, 7 Drawing Sheets**



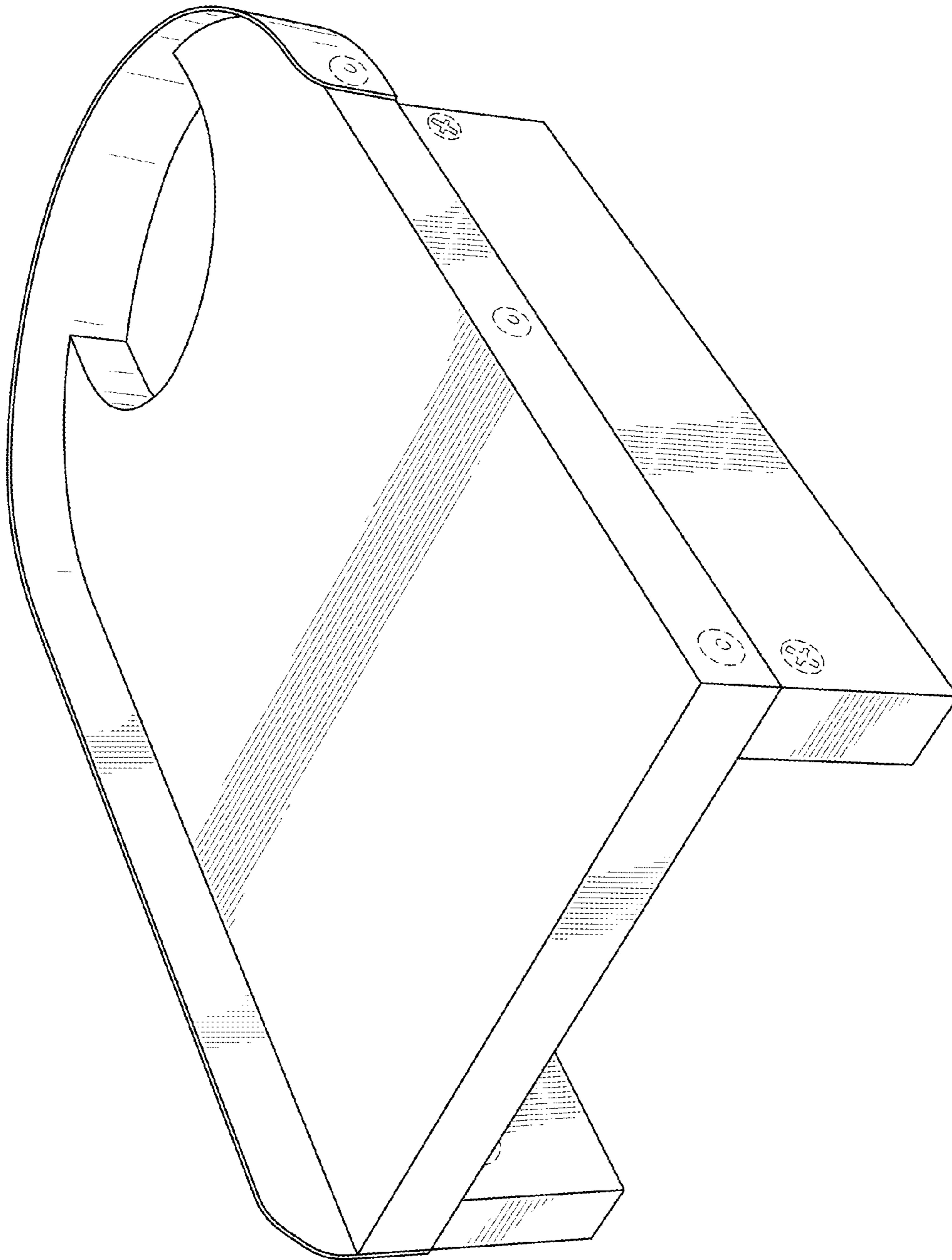


FIG.1

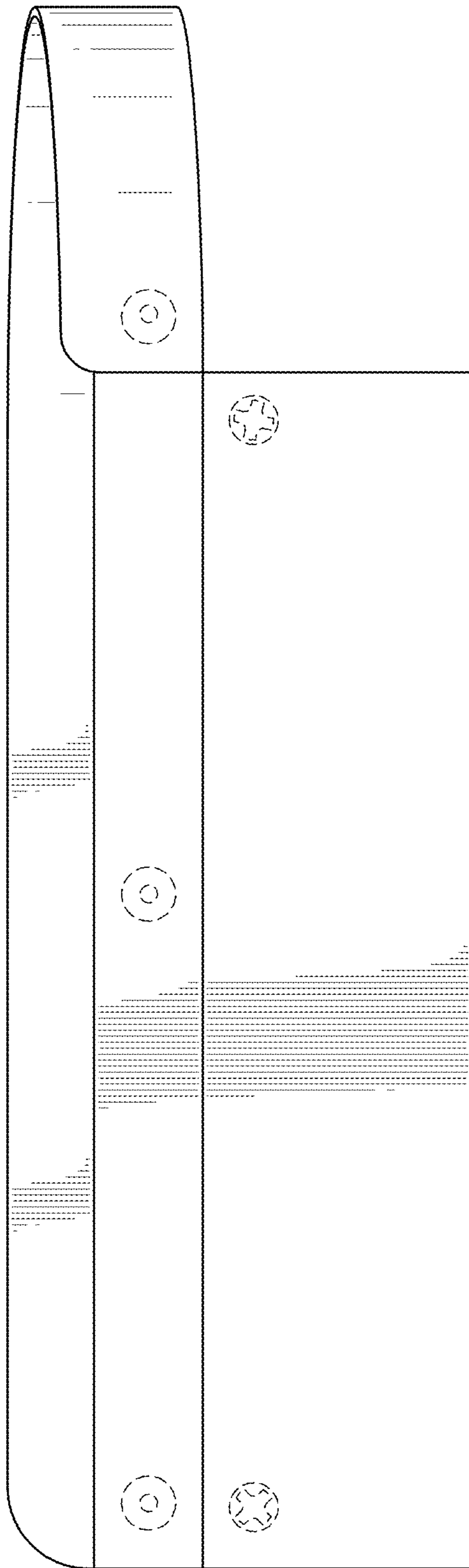


FIG.2

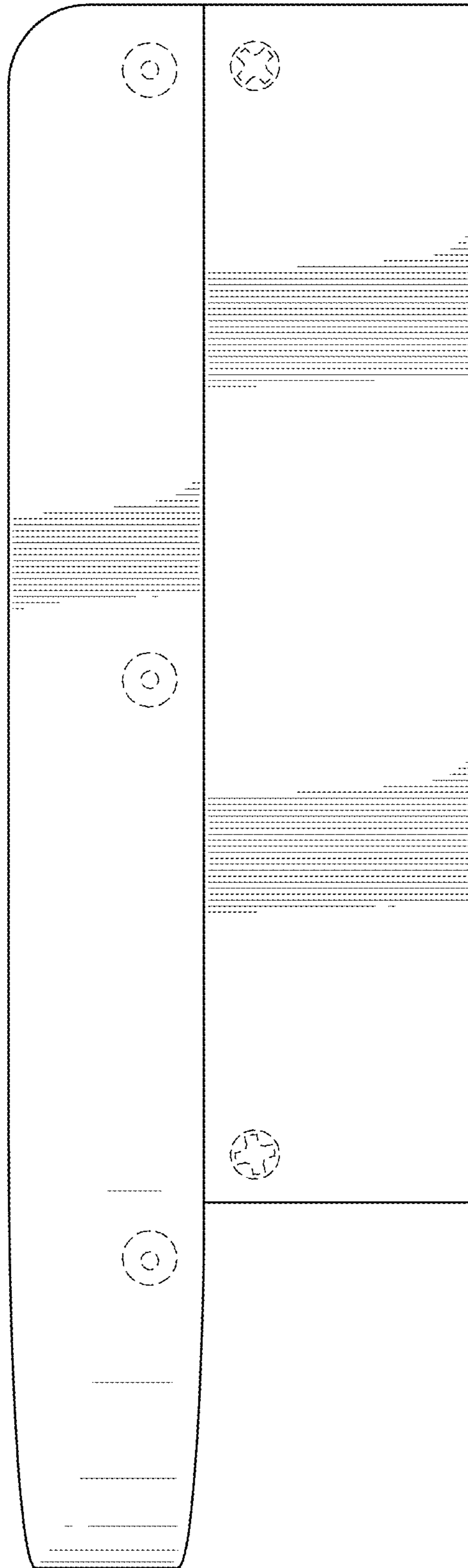


FIG.3

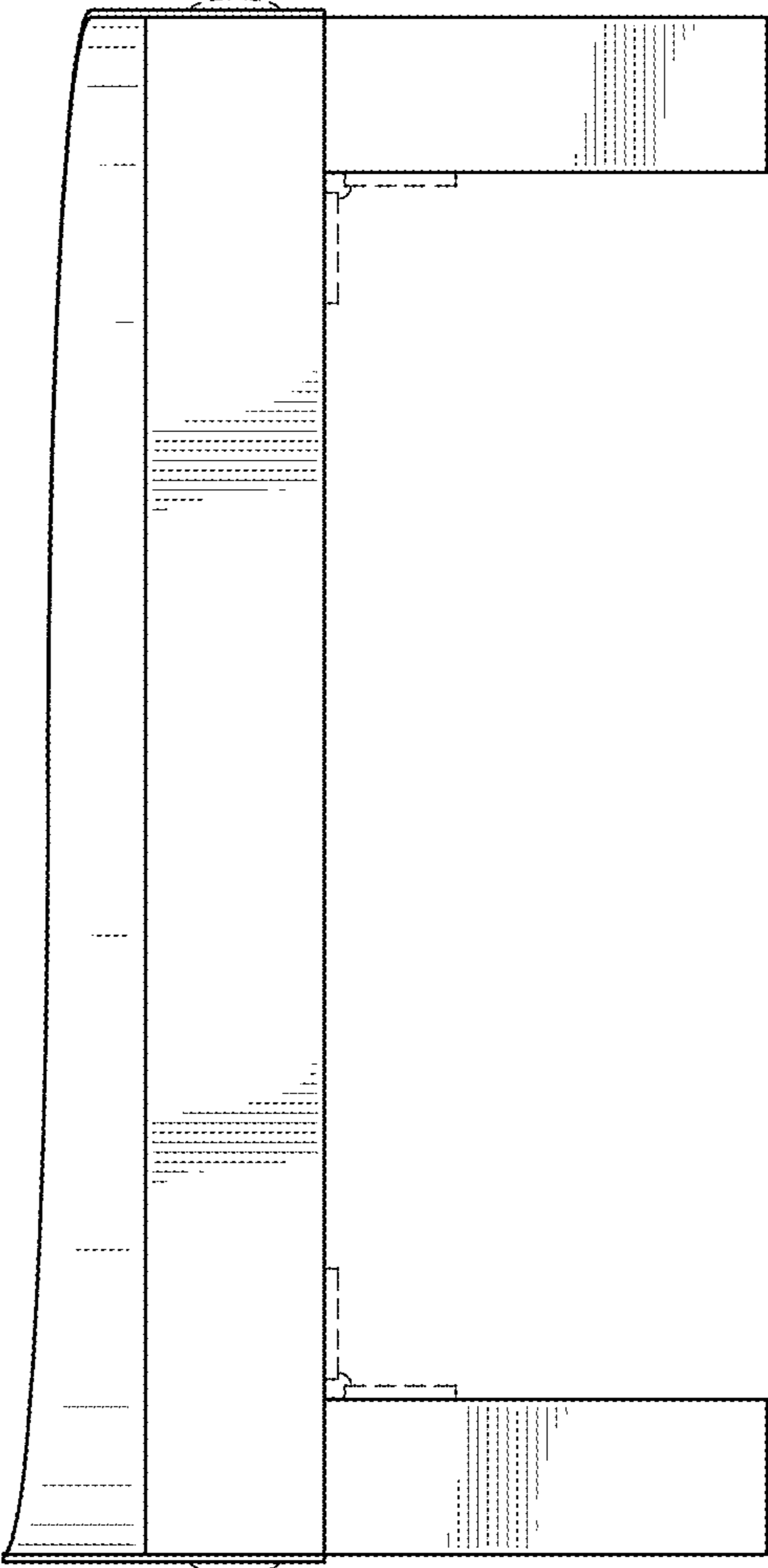


FIG.4

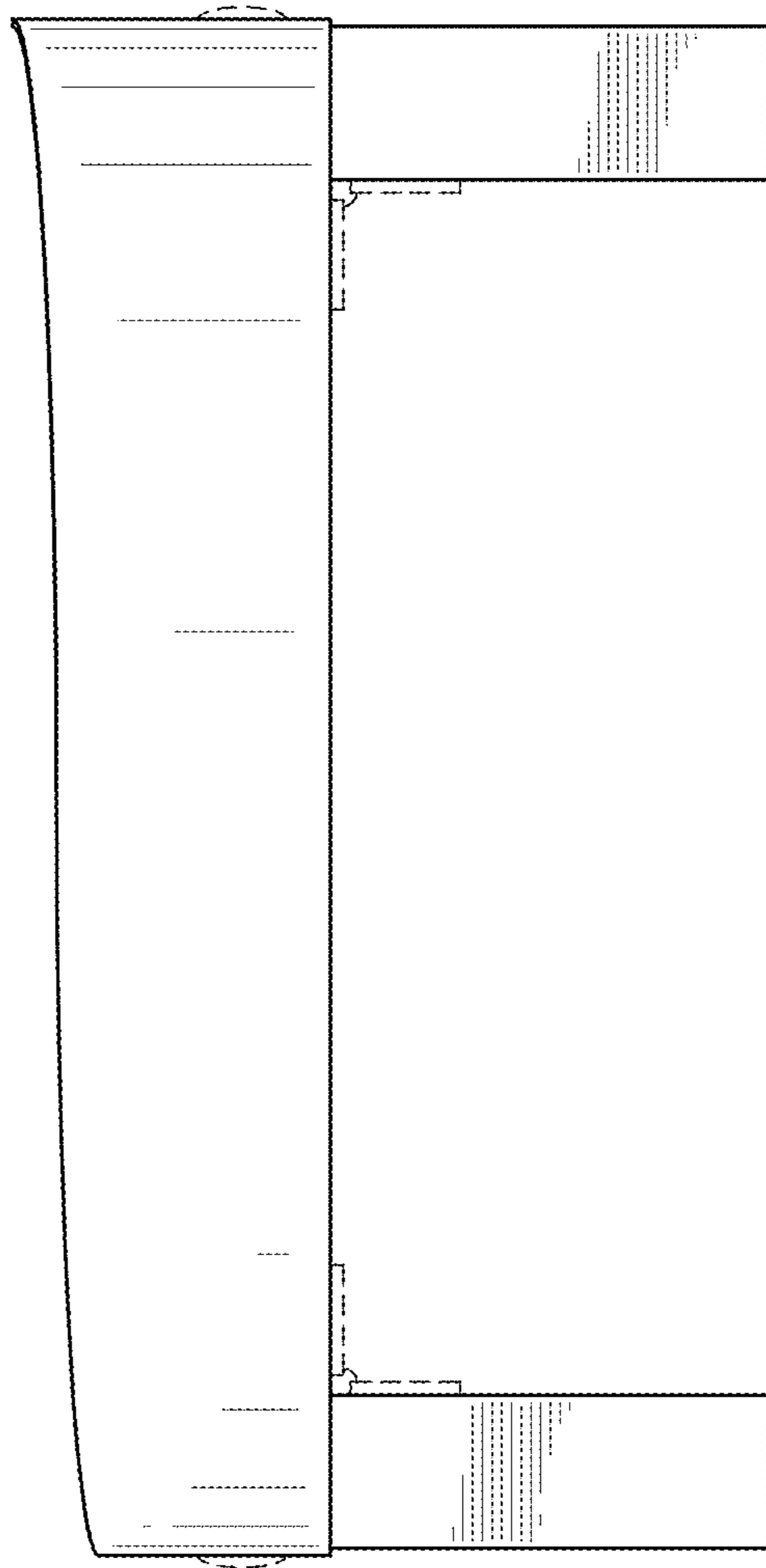


FIG.5

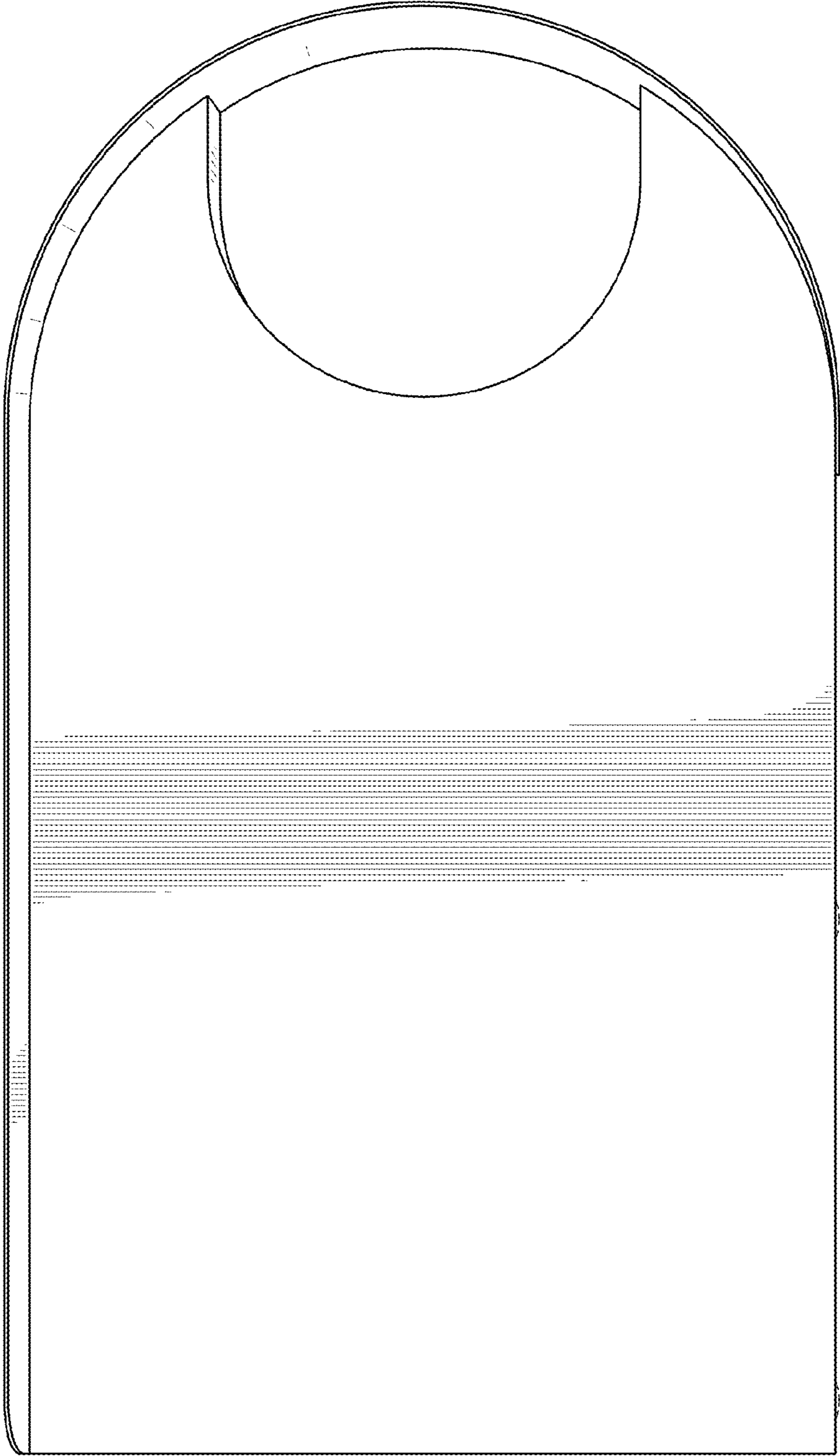


FIG. 6

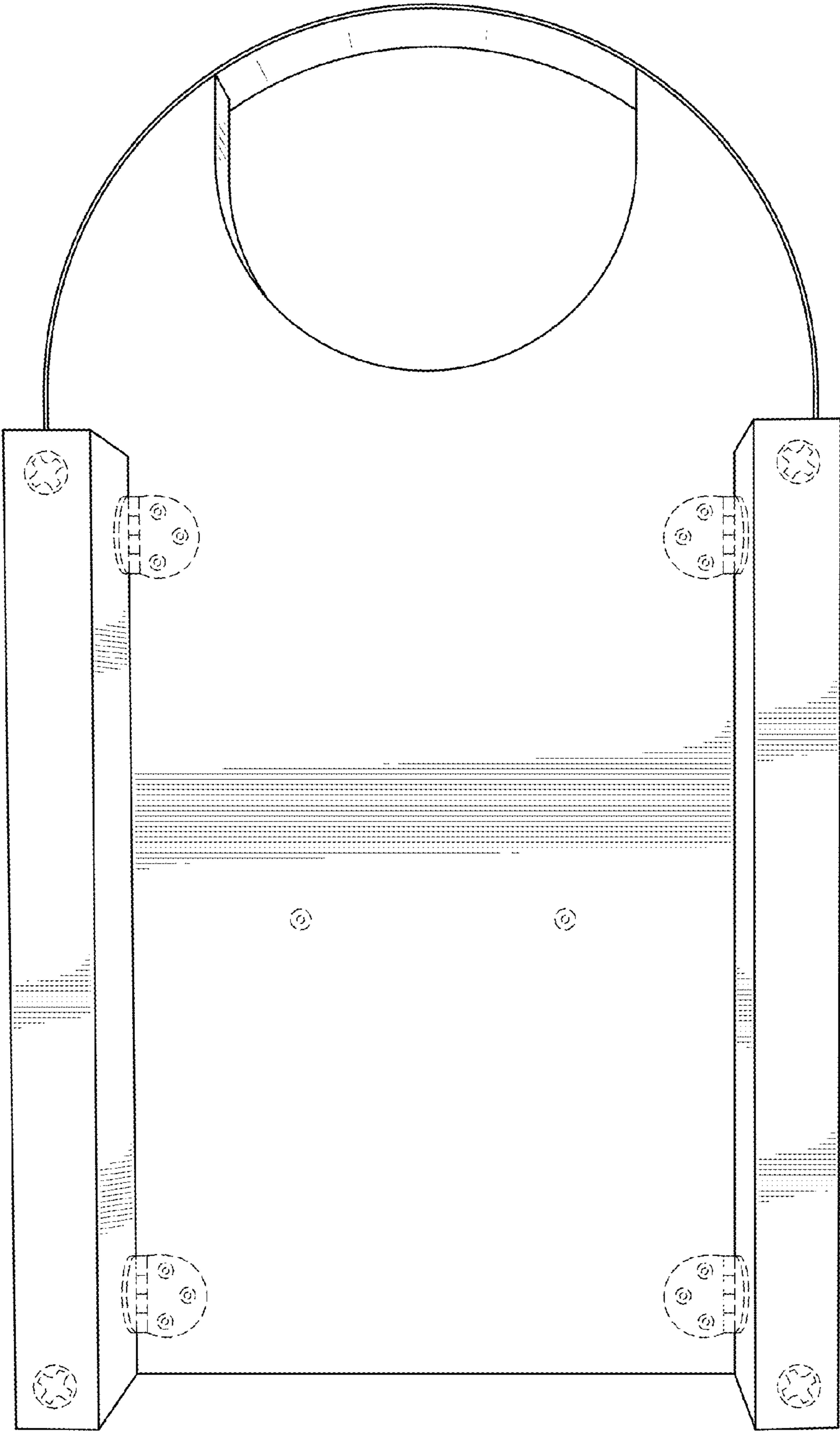


FIG.7