



US00D718575S

(12) **United States Design Patent**
Khan

(10) **Patent No.:** **US D718,575 S**

(45) **Date of Patent:** **** Dec. 2, 2014**

(54) **DRINKING BOTTLE**

(71) Applicant: **Farhan Khan**, Sanford, FL (US)

(72) Inventor: **Farhan Khan**, Sanford, FL (US)

(**) Term: **14 Years**

(21) Appl. No.: **29/454,019**

(22) Filed: **May 6, 2013**

(51) **LOC (10) Cl.** **07-01**

(52) **U.S. Cl.**
USPC **D7/509**

(58) **Field of Classification Search**
USPC D7/300, 300.1, 312, 313, 507, 509, 510,
D7/511, 513, 536, 542; D9/438, 443, 516,
D9/522, 525, 527, 528, 529, 530, 531, 534,
D9/535, 536, 537, 538, 539, 540, 541, 542,
D9/543, 548, 549, 550, 552, 556, 557, 558,
D9/564, 565, 569, 570, 571, 574, 719, 777,
D9/780; D24/197; 215/11.1, 11.6, 207,
215/381-385, 388, 393; 220/254.1, 705,
220/709, 717, 713, 714; 222/211, 215;
239/318

See application file for complete search history.

(56) **References Cited**

U.S. PATENT DOCUMENTS

D573,886 S * 7/2008 Liu et al. D9/529
D675,062 S * 1/2013 Dunn et al. D7/509

D682,033 S * 5/2013 Dunn et al. D7/509
D683,183 S * 5/2013 Dunn et al. D7/509
D683,588 S * 6/2013 Dunn et al. D7/509

* cited by examiner

Primary Examiner — Susan Bennett Hattan

Assistant Examiner — Leanne Was

(74) *Attorney, Agent, or Firm* — Allen, Dyer, Doppelt,
Milbrath & Gilchrist

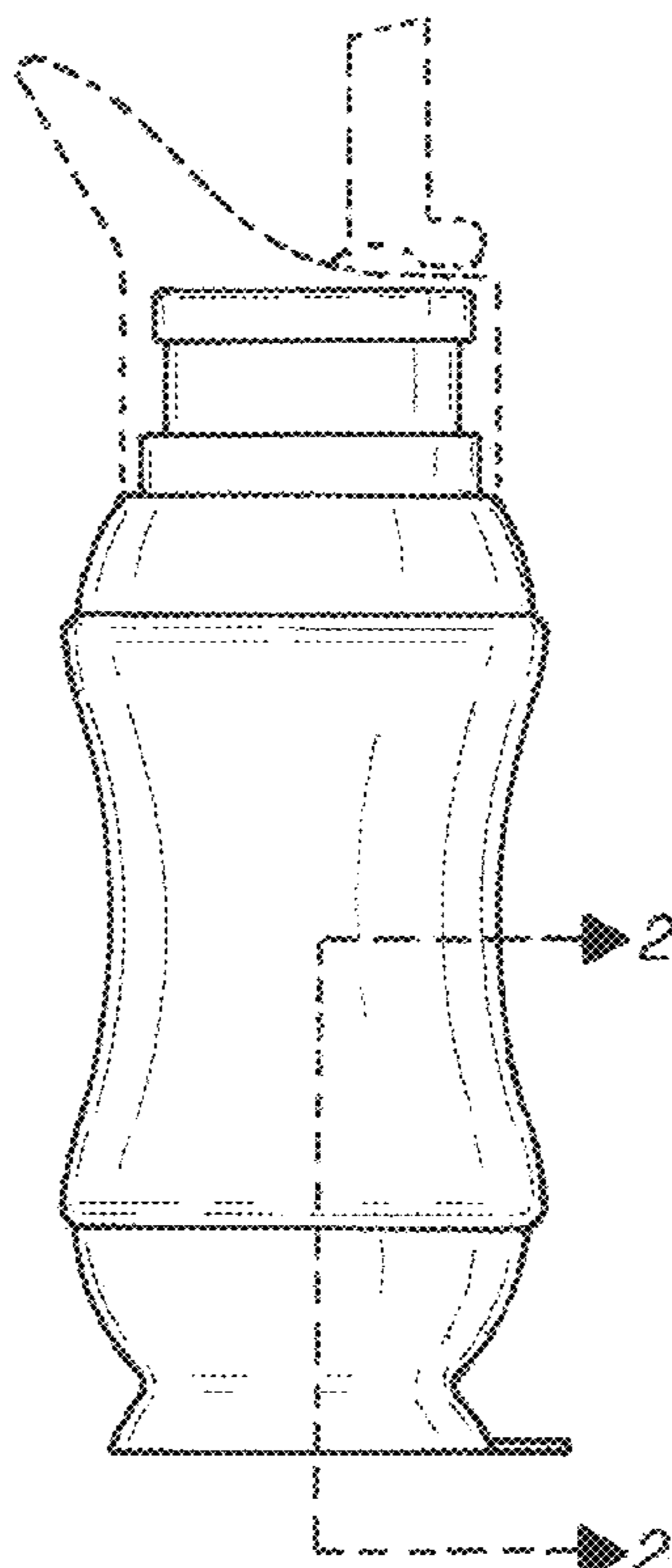
(57) **CLAIM**

The ornamental design for a drinking bottle, as shown and described.

DESCRIPTION

FIG. 1 is a front view of the drinking bottle, the rear view being a mirror image thereof;
FIG. 2 is a partial cross sectional view of the rear view;
FIG. 3 is a left side elevational view of the drinking bottle;
FIG. 4 is a right side elevational view of the drinking bottle;
FIG. 5 is a top view of the drinking bottle; and,
FIG. 6 is a bottom view of the drinking bottle.
The cap is shown in broken lines for illustrative purposes only and forms no part of the claimed design.

1 Claim, 3 Drawing Sheets



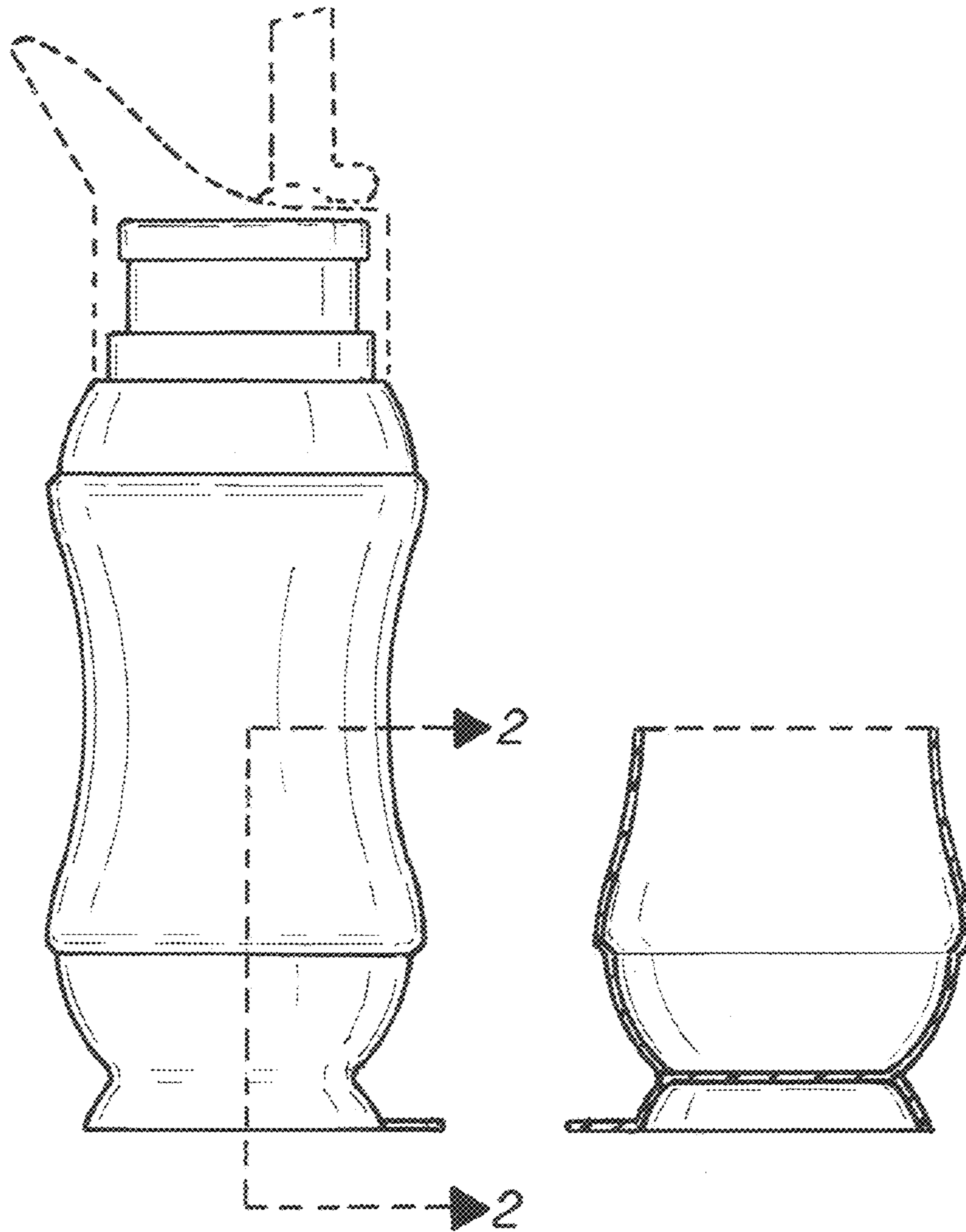


FIG. 1

FIG. 2

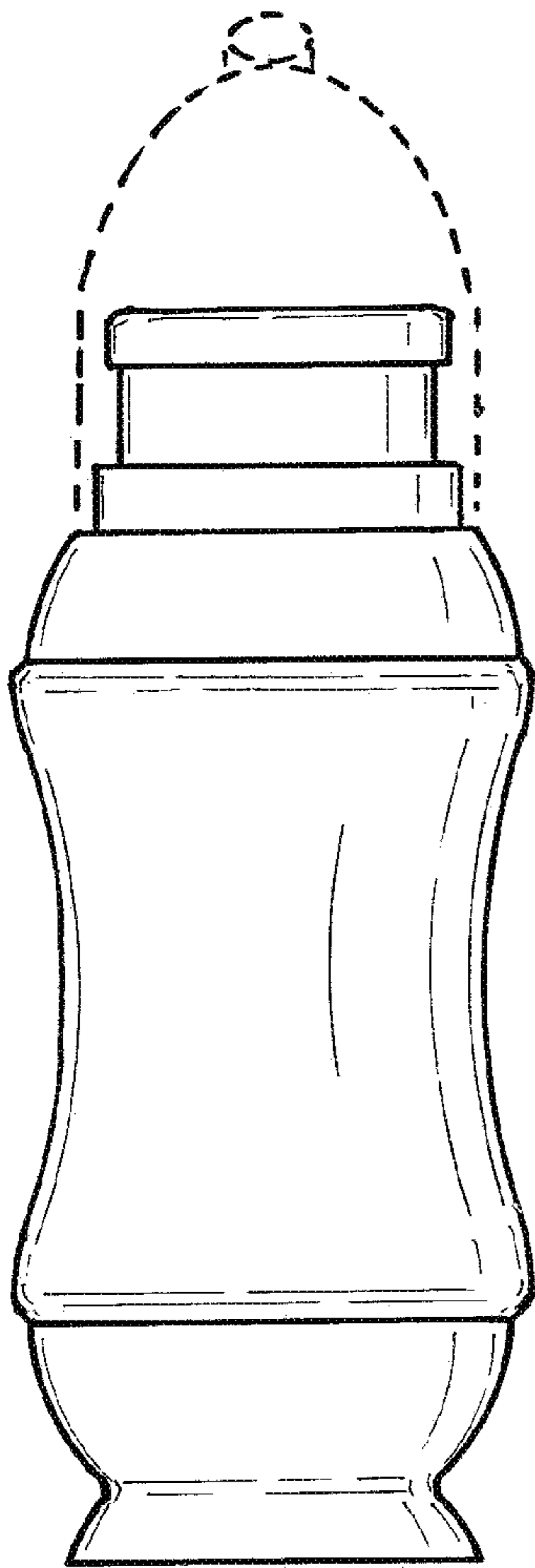


FIG. 3

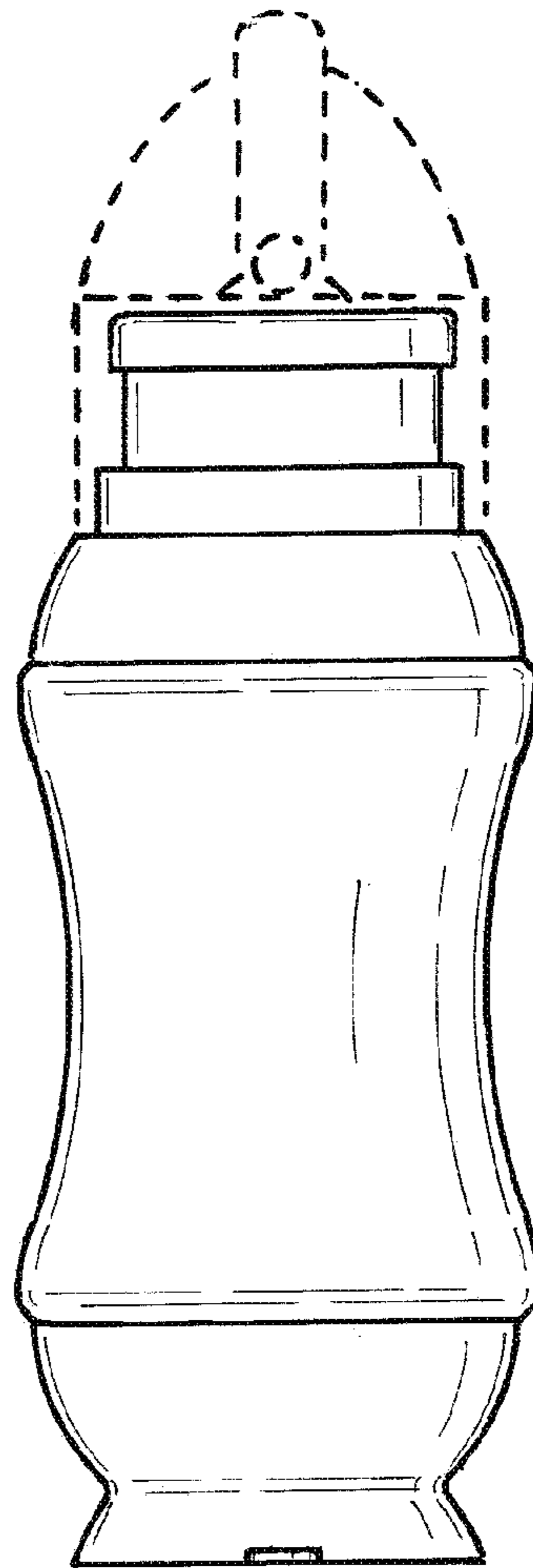


FIG. 4

FIG. 5

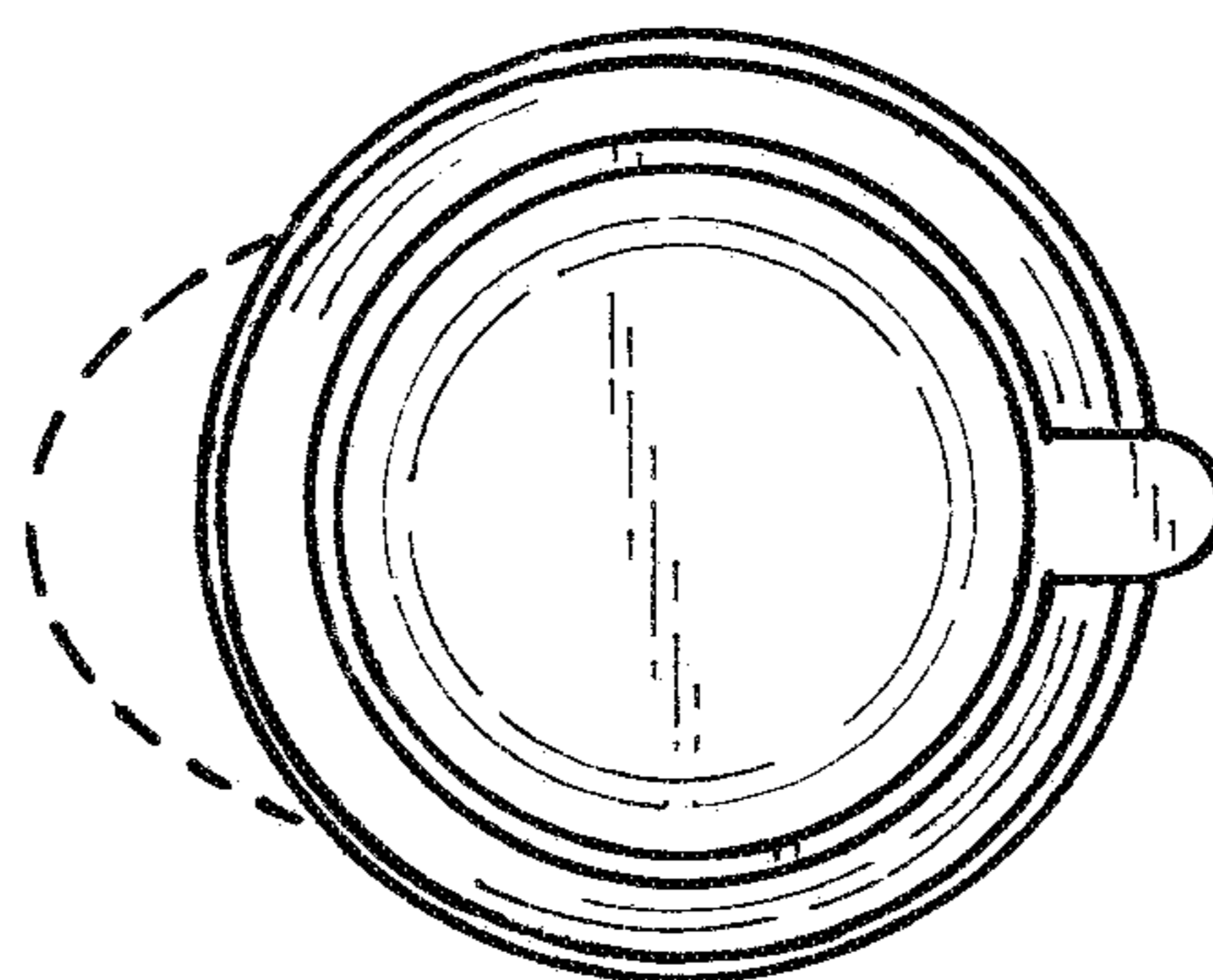
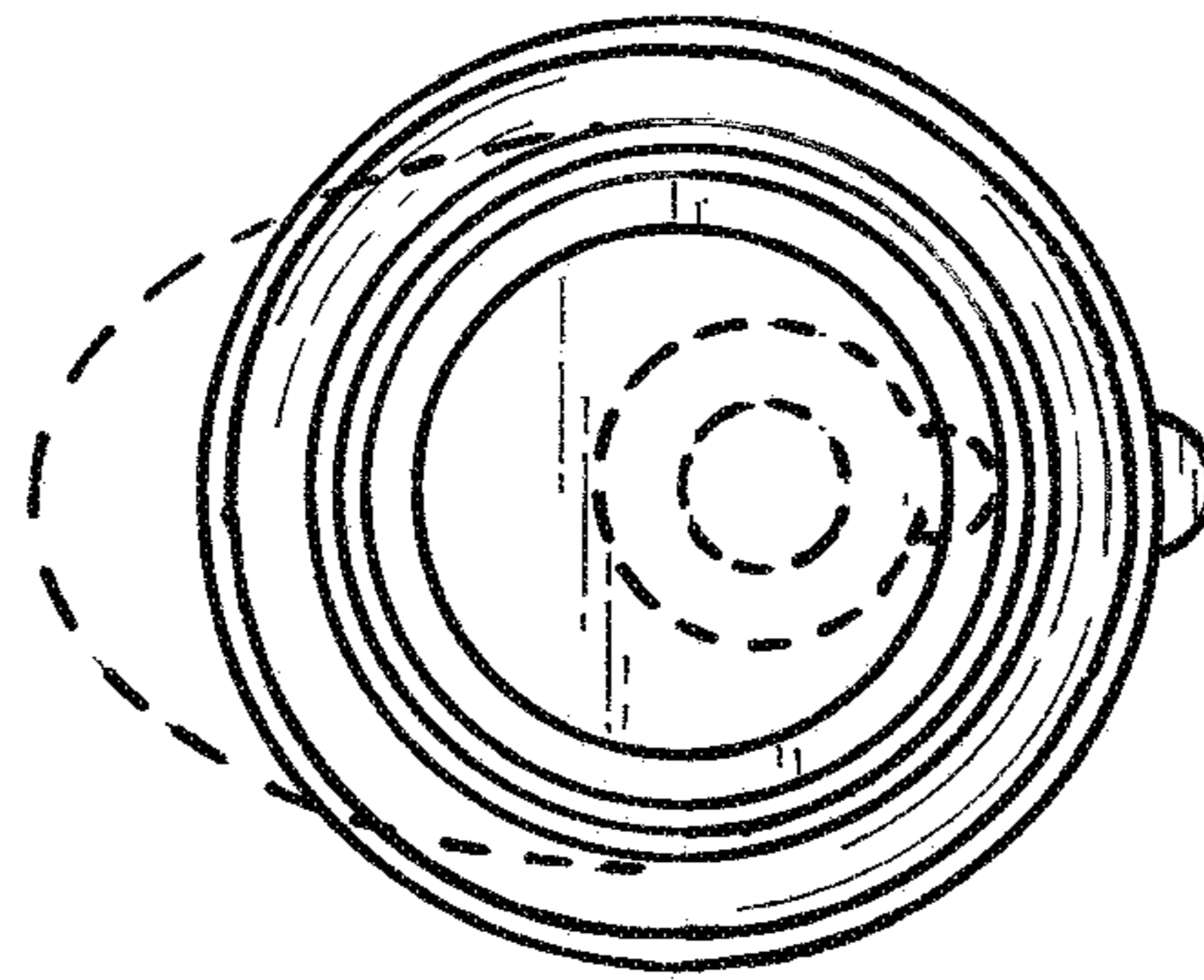


FIG. 6