



US00D718570S

(12) **United States Design Patent**
Chiang

(10) **Patent No.:** **US D718,570 S**
(45) **Date of Patent:** **** Dec. 2, 2014**

- (54) **GRILL**
- (71) Applicant: **Tzu-Yun Chiang**, Taichung (TW)
- (72) Inventor: **Tzu-Yun Chiang**, Taichung (TW)
- (**) Term: **14 Years**
- (21) Appl. No.: **29/458,896**
- (22) Filed: **Jun. 24, 2013**
- (51) **LOC (10) Cl.** **07-02**
- (52) **U.S. Cl.**
USPC **D7/337**
- (58) **Field of Classification Search**
CPC ... A47J 37/07; A47J 37/0704; A47J 37/0709;
A47J 37/0713; A47J 37/0718; A47J 37/0727;
A47J 37/0731; A47J 37/0763; A47J 37/0772;
A47J 36/26; F24B 1/182; F24B 1/202; F24B
3/00; F24B 13/00; F24B 1/205; F24B 1/207;
F24B 1/22; F24C 3/085; F24C 3/14; F24C
5/00; F24C 5/20; F24C 15/08; F24C 15/10;
F24C 15/18
USPC D7/332, 334–337, 402–405
See application file for complete search history.

D321,108	S	*	10/1991	Lutter et al.	D7/332
D379,900	S	*	6/1997	Gillam et al.	D7/337
D444,991	S	*	7/2001	Measom	D7/337
D448,604	S	*	10/2001	Cho	D7/337
D468,960	S	*	1/2003	Hung	D7/402
D558,511	S	*	1/2008	Brunner et al.	D7/332
D570,642	S	*	6/2008	Svartstrom	D7/337
8,668,949	B2	*	3/2014	Wilson et al.	426/523
2008/0115777	A1	*	5/2008	Hsu	126/42
2011/0186033	A1	*	8/2011	Chang	126/25 B
2011/0252977	A1	*	10/2011	Sacherman et al.	99/401

* cited by examiner

Primary Examiner — Ruth McInroy

(74) *Attorney, Agent, or Firm* — The Weintraub Group, P.L.C.

(57) **CLAIM**

The ornamental design for a grill, as shown and described.

DESCRIPTION

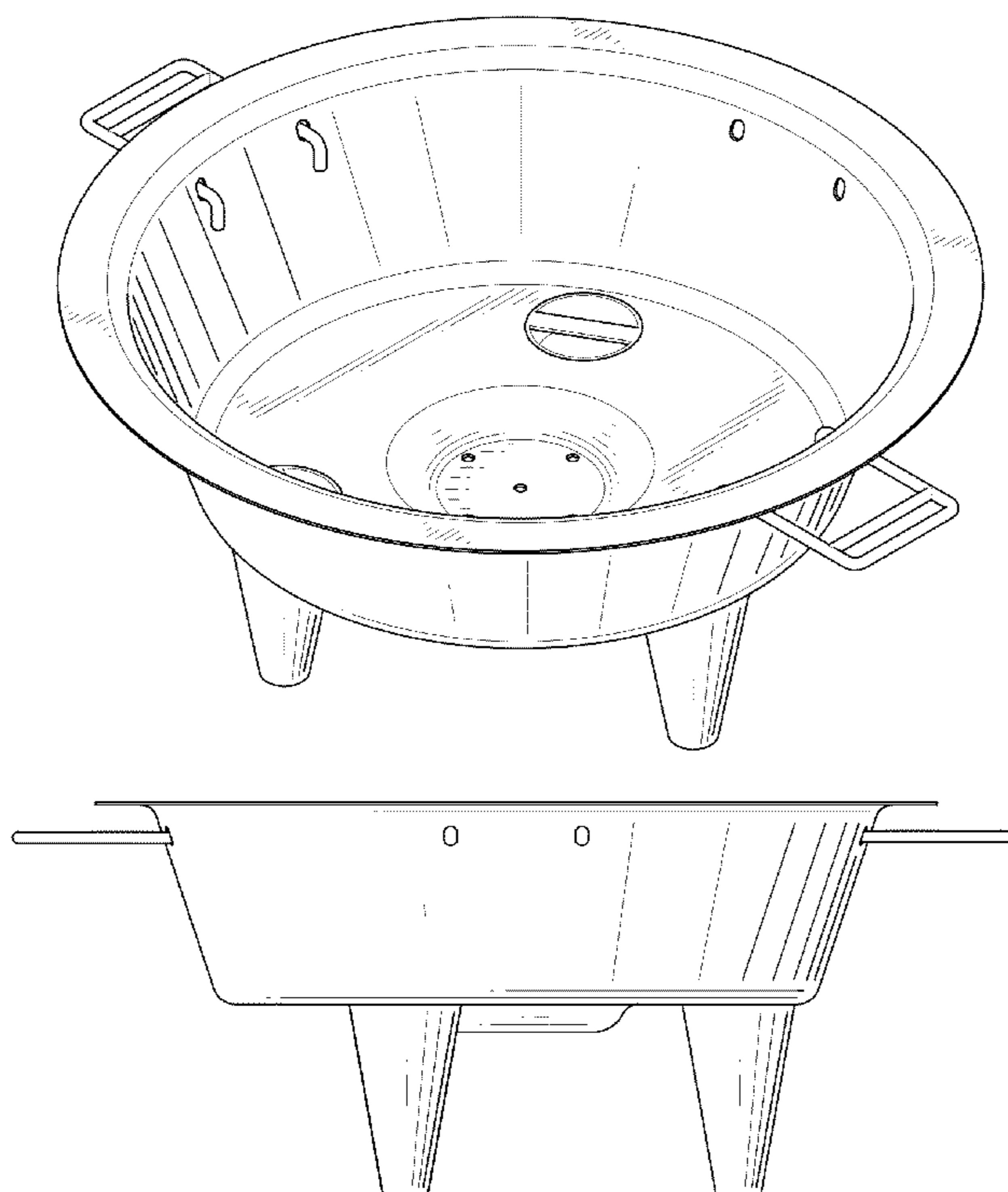
FIG. 1 is a perspective view of a grill, showing my new design;
 FIG. 2 is a front view thereof;
 FIG. 3 is a rear view thereof;
 FIG. 4 is a left-side view thereof;
 FIG. 5 is a right-side view thereof;
 FIG. 6 is a top view thereof;
 FIG. 7 is a bottom view thereof;
 FIG. 8 is a bottom perspective view thereof; and,
 FIG. 9 is a cross-sectional view taken along line 9-9 in FIG. 7.

1 Claim, 9 Drawing Sheets

(56) **References Cited**

U.S. PATENT DOCUMENTS

1,616,562	A	*	2/1927	Wood	126/59.5
2,314,791	A	*	3/1943	Jones, Jr. et al.	126/25 A
D202,397	S	*	9/1965	O’Russa	D7/337
4,215,667	A	*	8/1980	Hsu	126/9 R
D287,091	S	*	12/1986	Elliston	D7/337



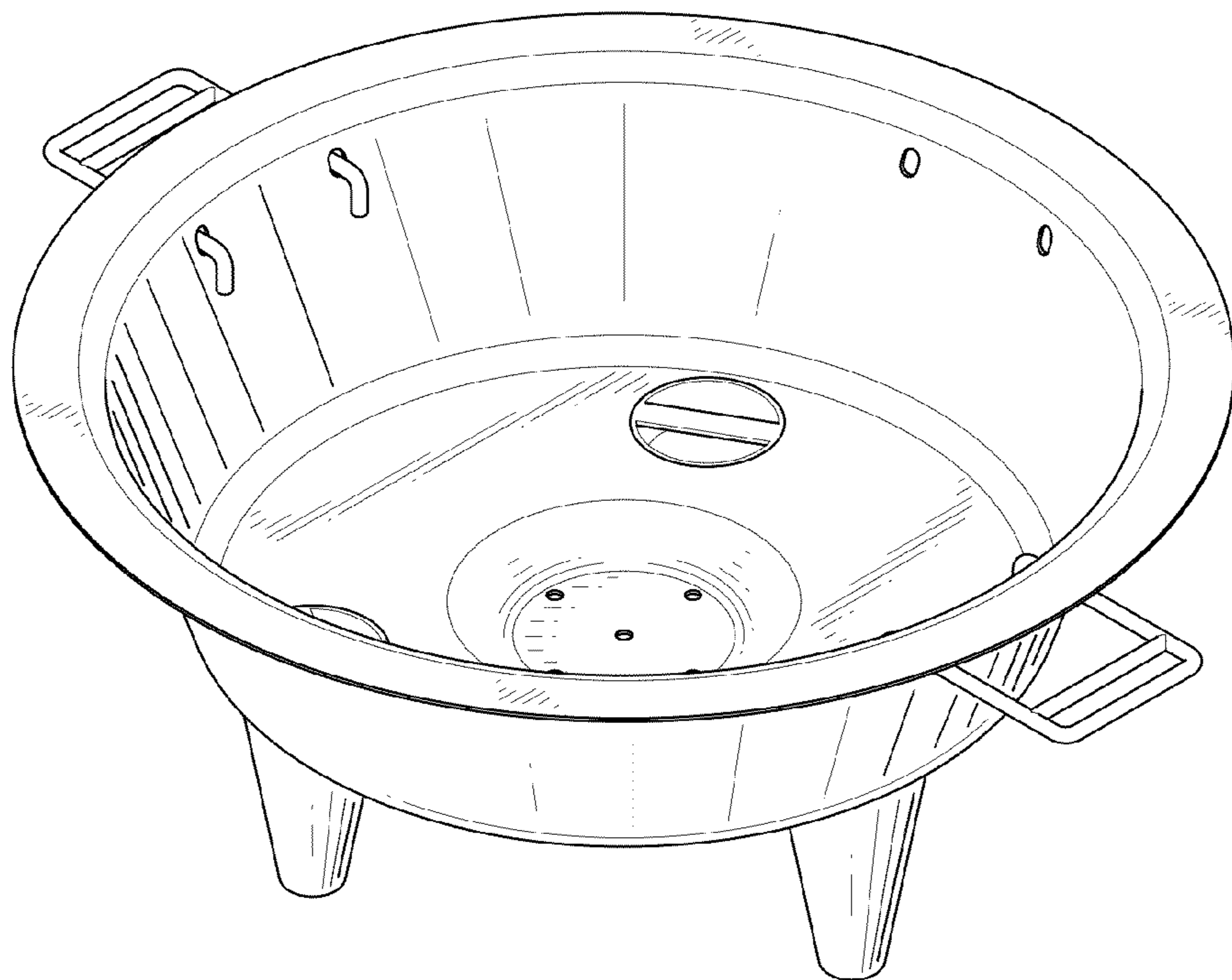


FIG.1

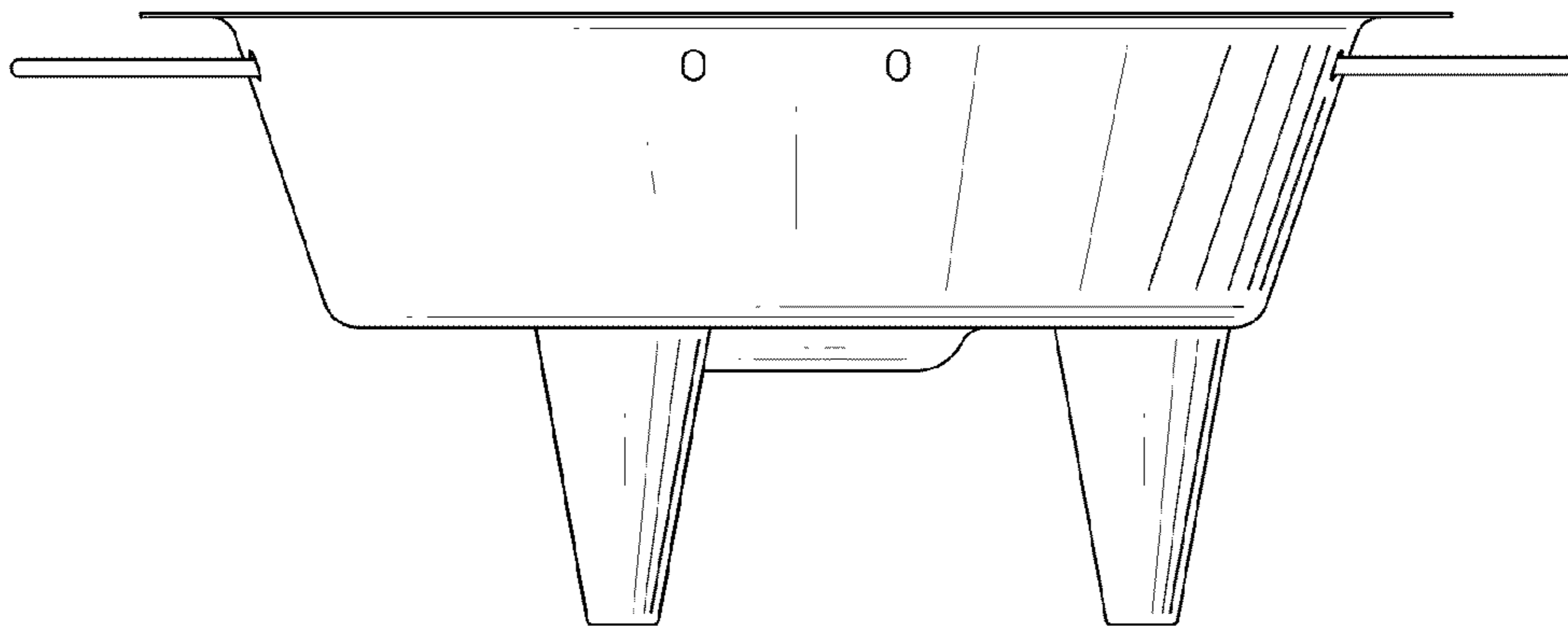


FIG.2

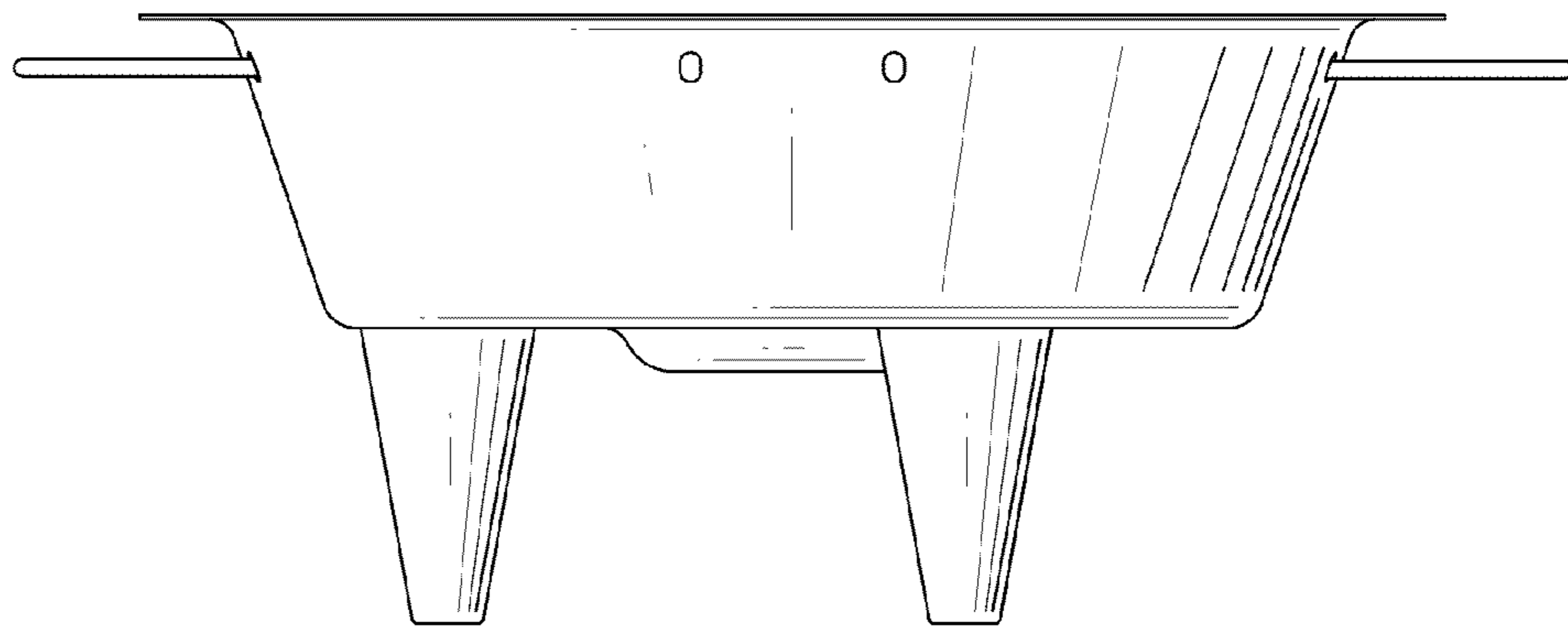


FIG.3

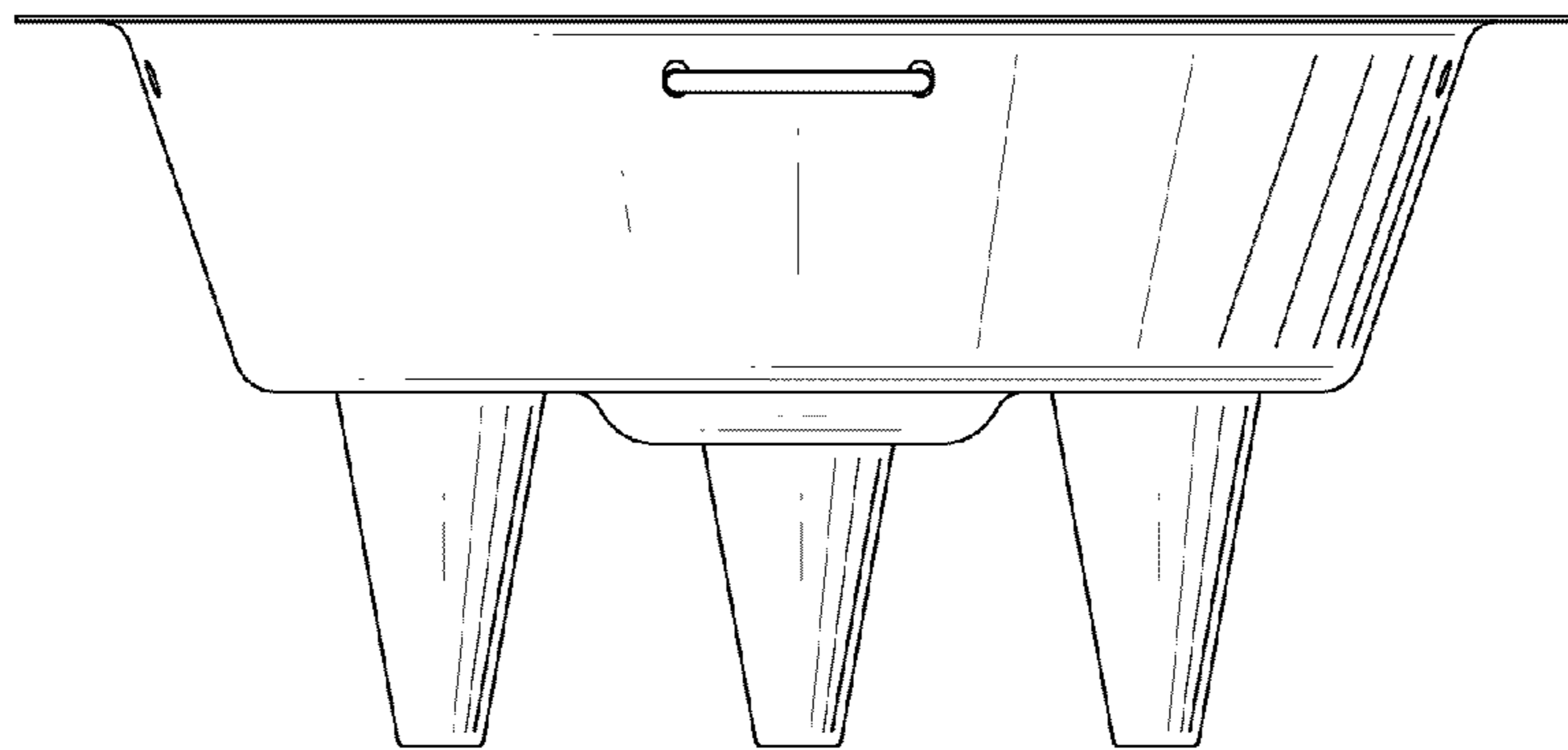


FIG.4

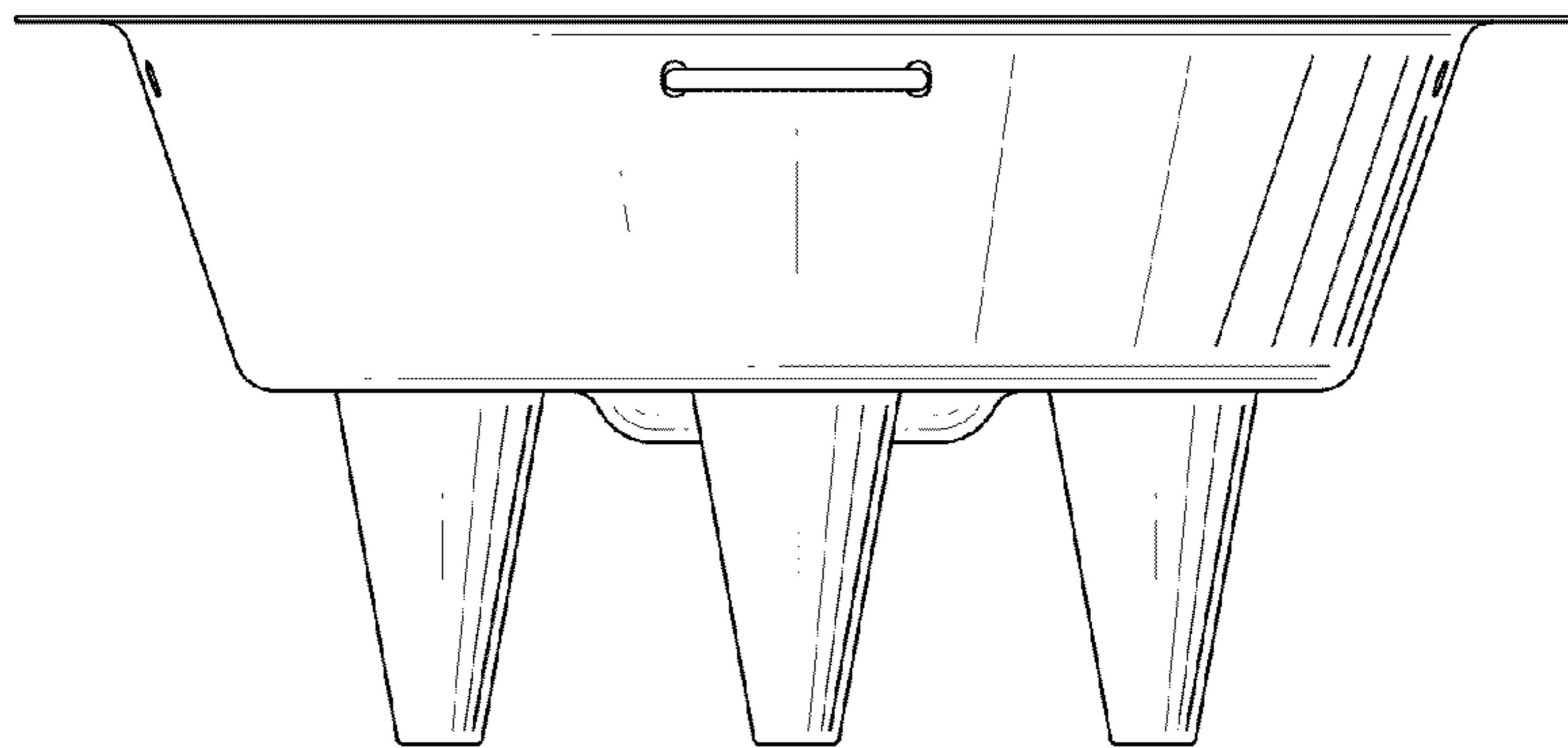


FIG.5

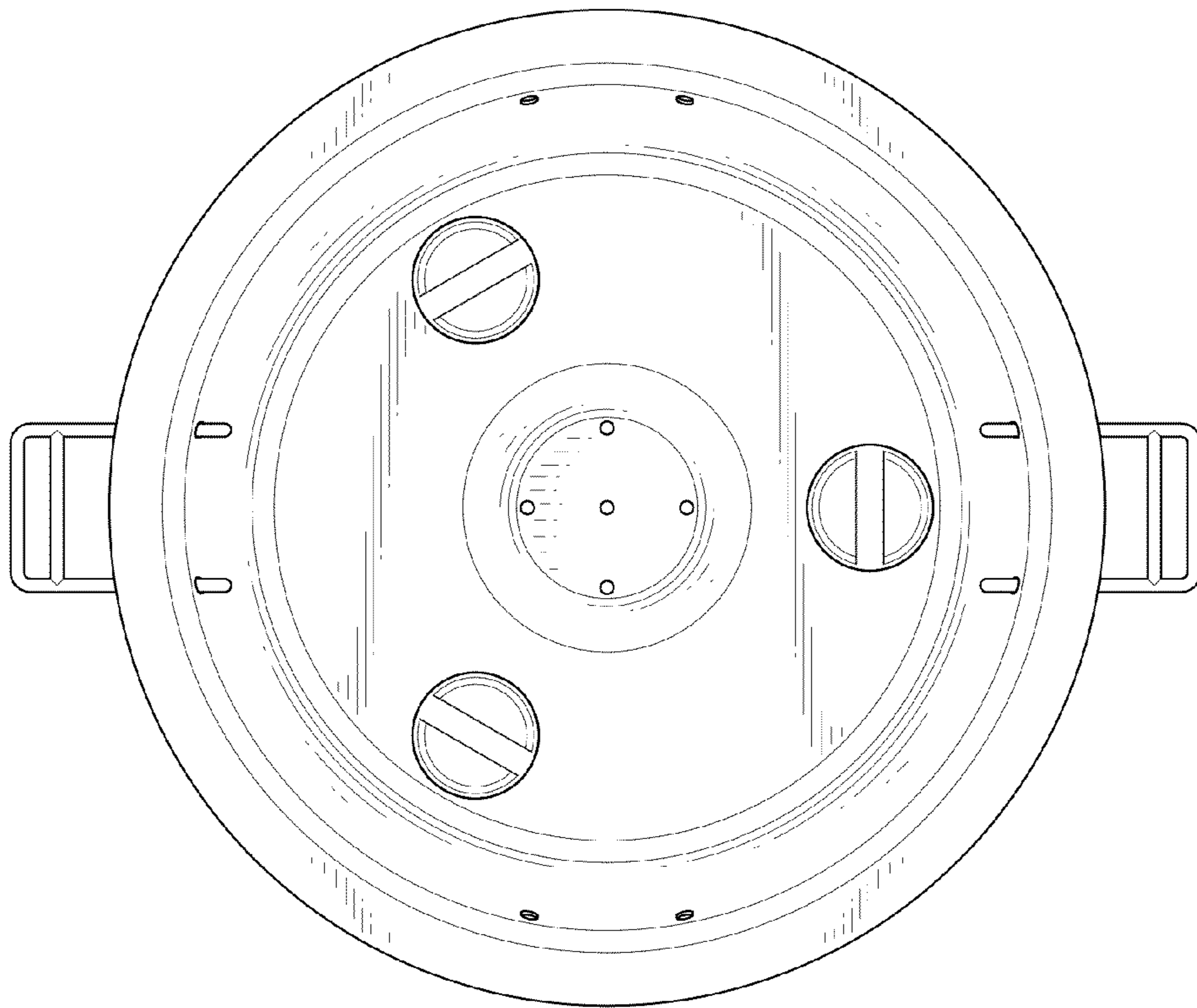


FIG.6

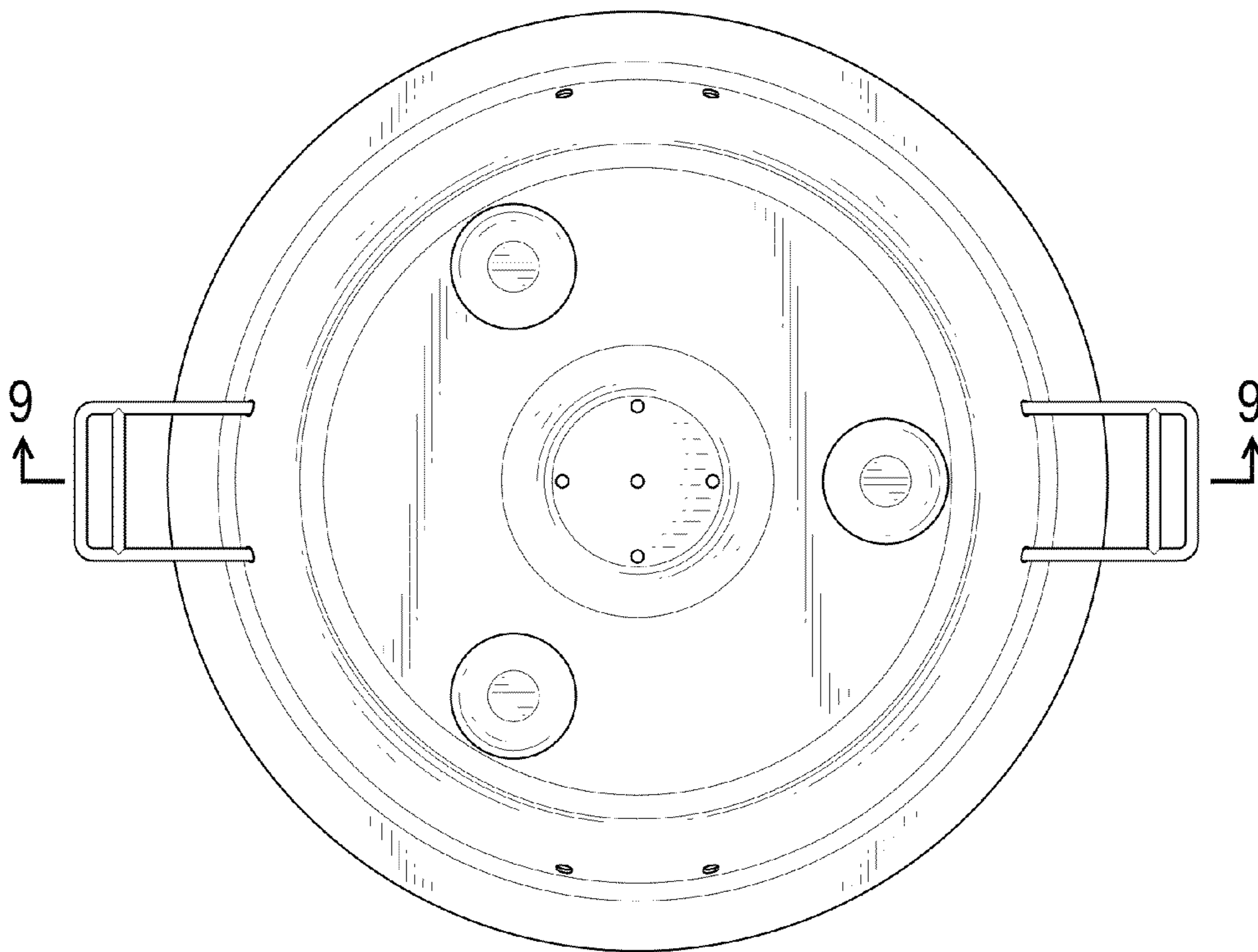


FIG.7

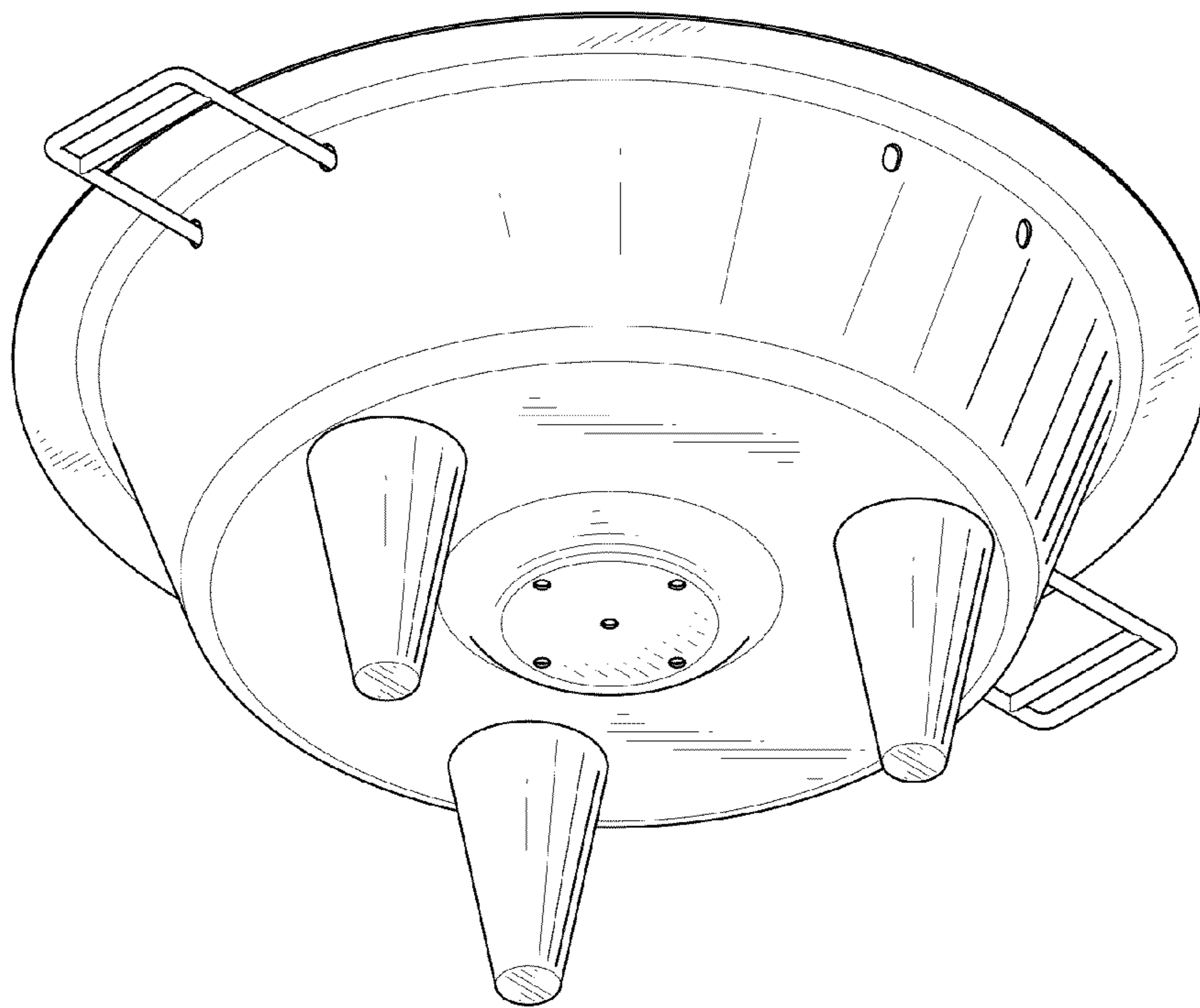


FIG.8

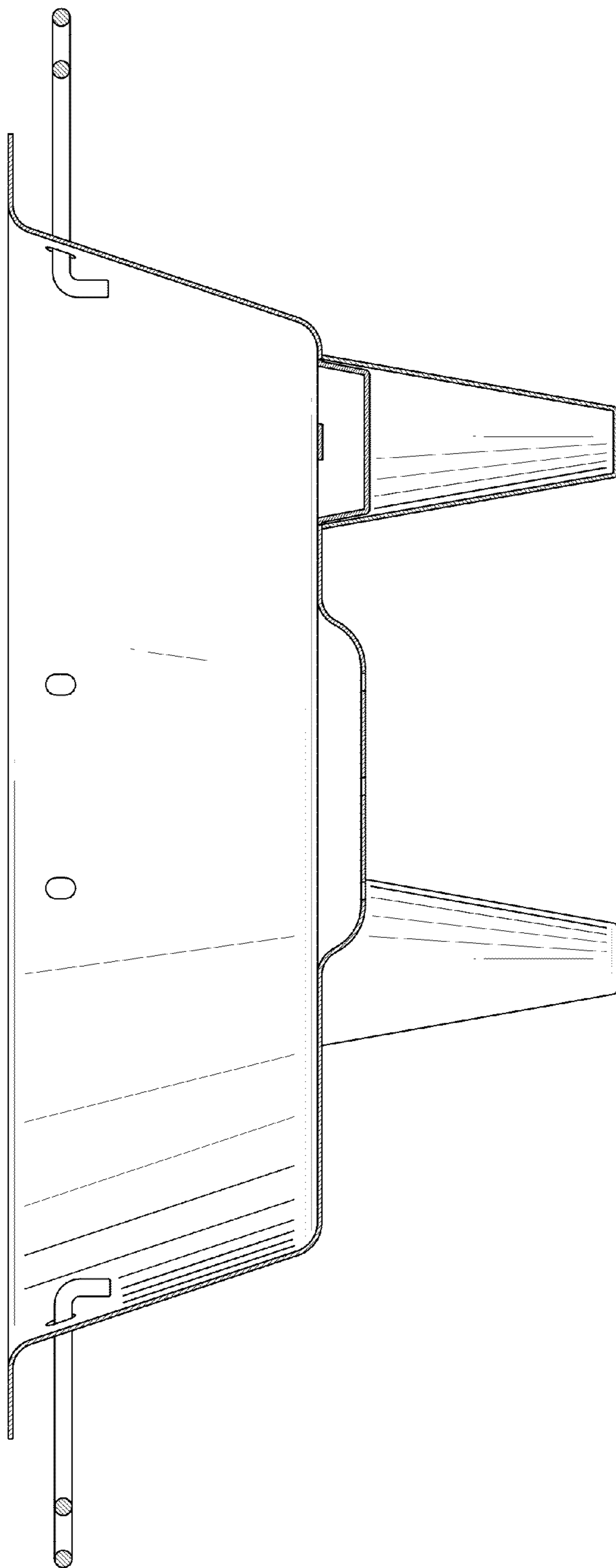


FIG.9