



US00D718569S

(12) **United States Design Patent**
Chiang

(10) **Patent No.:** **US D718,569 S**

(45) **Date of Patent:** **** Dec. 2, 2014**

(54) **GRILL**

(71) Applicant: **Tzu-Yun Chiang**, Taichung (TW)

(72) Inventor: **Tzu-Yun Chiang**, Taichung (TW)

(**) Term: **14 Years**

(21) Appl. No.: **29/458,812**

(22) Filed: **Jun. 24, 2013**

(51) **LOC (10) Cl.** **07-02**

(52) **U.S. Cl.**
USPC **D7/337**

(58) **Field of Classification Search**

CPC ... A47J 37/07; A47J 37/0704; A47J 37/0709;
A47J 37/0713; A47J 37/0718; A47J 37/0727;
A47J 37/0731; A47J 37/0763; A47J 37/0772;
A47J 36/26; F24B 1/182; F24B 1/202; F24B
3/00; F24B 13/00; F24C 3/085; F24C 3/14;
F24C 5/00; F24C 5/20; F24C 15/08; F24C
15/10; F24C 15/18

USPC D7/332, 334-337, 402-405
See application file for complete search history.

(56) **References Cited**

U.S. PATENT DOCUMENTS

D175,253	S	*	8/1955	Greenblat	D7/337
D182,266	S	*	3/1958	Alexander	D7/337
D185,280	S	*	9/1959	Greenblat	D7/337
D186,967	S	*	12/1959	Webster	D7/337
D209,492	S	*	12/1967	Levin	D7/337
D212,867	S	*	12/1968	Ishida	D7/337
D220,150	S	*	3/1971	Roestenburg	D7/332
D228,484	S	*	10/1973	Marshall	D7/337
D233,399	S	*	10/1974	Marshall	D7/337
D252,664	S	*	8/1979	Hall	D7/332
4,215,667	A	*	8/1980	Hsu	126/9 R
D257,207	S	*	10/1980	Tisdale	D7/337
4,455,991	A	*	6/1984	Su	126/9 R

4,455,992	A	*	6/1984	Hsiao	126/9 R
D274,686	S	*	7/1984	Ambler	D7/337
D321,108	S	*	10/1991	Lutter et al.	D7/332
D340,613	S	*	10/1993	Kesling	D7/337
D444,991	S	*	7/2001	Measom	D7/337
D448,604	S	*	10/2001	Cho	D7/337
D495,552	S	*	9/2004	Siegel et al.	D7/332
D531,849	S	*	11/2006	Turner	D7/332
D570,642	S	*	6/2008	Svartstrom	D7/337
D580,209	S	*	11/2008	Chiang	D7/332
D586,610	S	*	2/2009	Hu	D7/337
D611,291	S	*	3/2010	Chung	D7/337
D682,006	S	*	5/2013	Merkurieff	D7/332
2009/0020109	A1	*	1/2009	Rheault	126/25 R
2011/0146656	A1	*	6/2011	Paap et al.	126/25 R
2011/0197872	A1	*	8/2011	Thiry	126/25 R
2011/0262874	A1	*	10/2011	Kraminer	431/6
2012/0255542	A1	*	10/2012	Kukuliyev	126/9 R
2013/0167824	A1	*	7/2013	Calinawan	126/25 R

* cited by examiner

Primary Examiner — Ruth McInroy

(74) *Attorney, Agent, or Firm* — Alan Kamrath; KAMRATH IP Lawfirm, P.A.

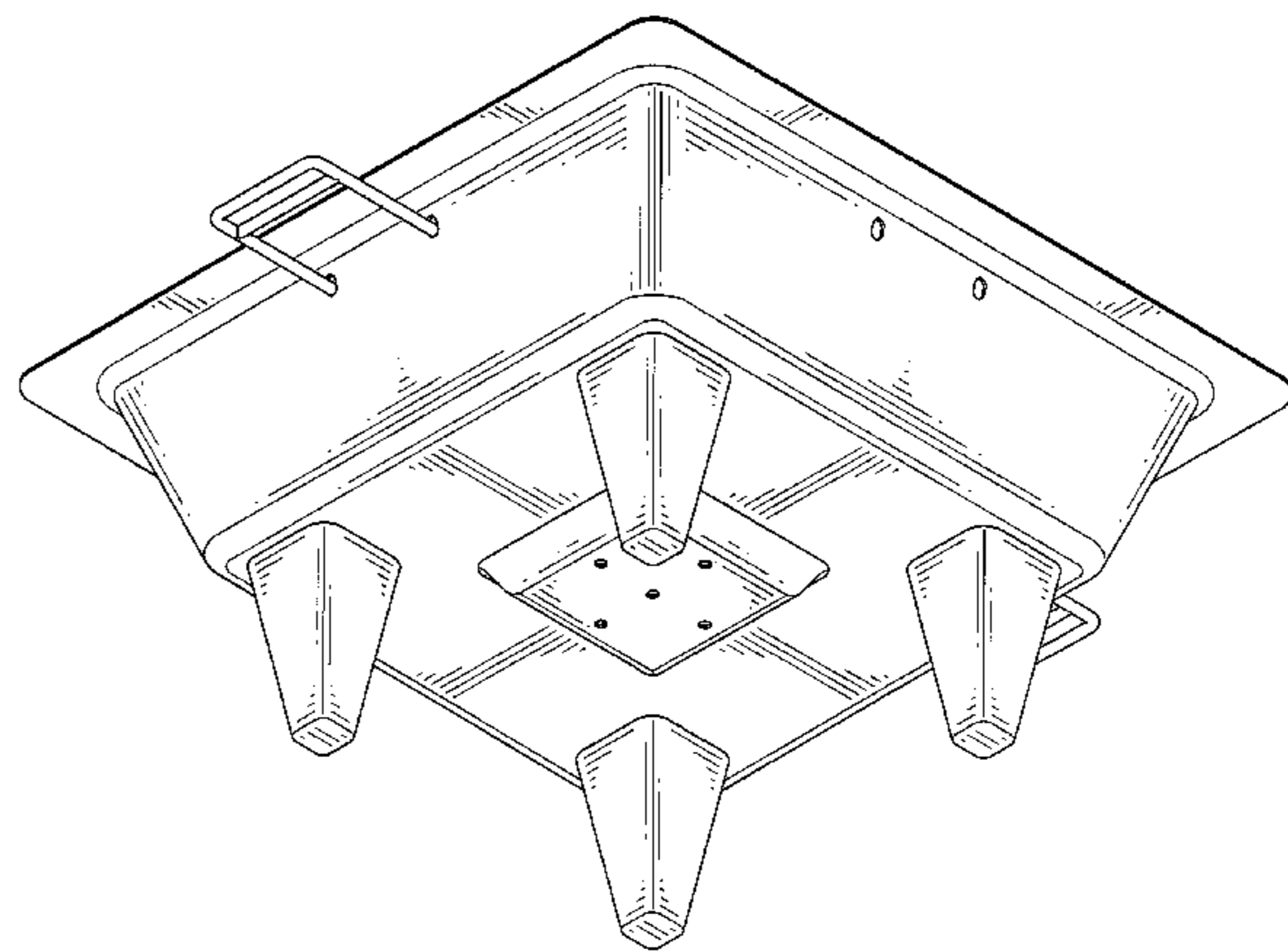
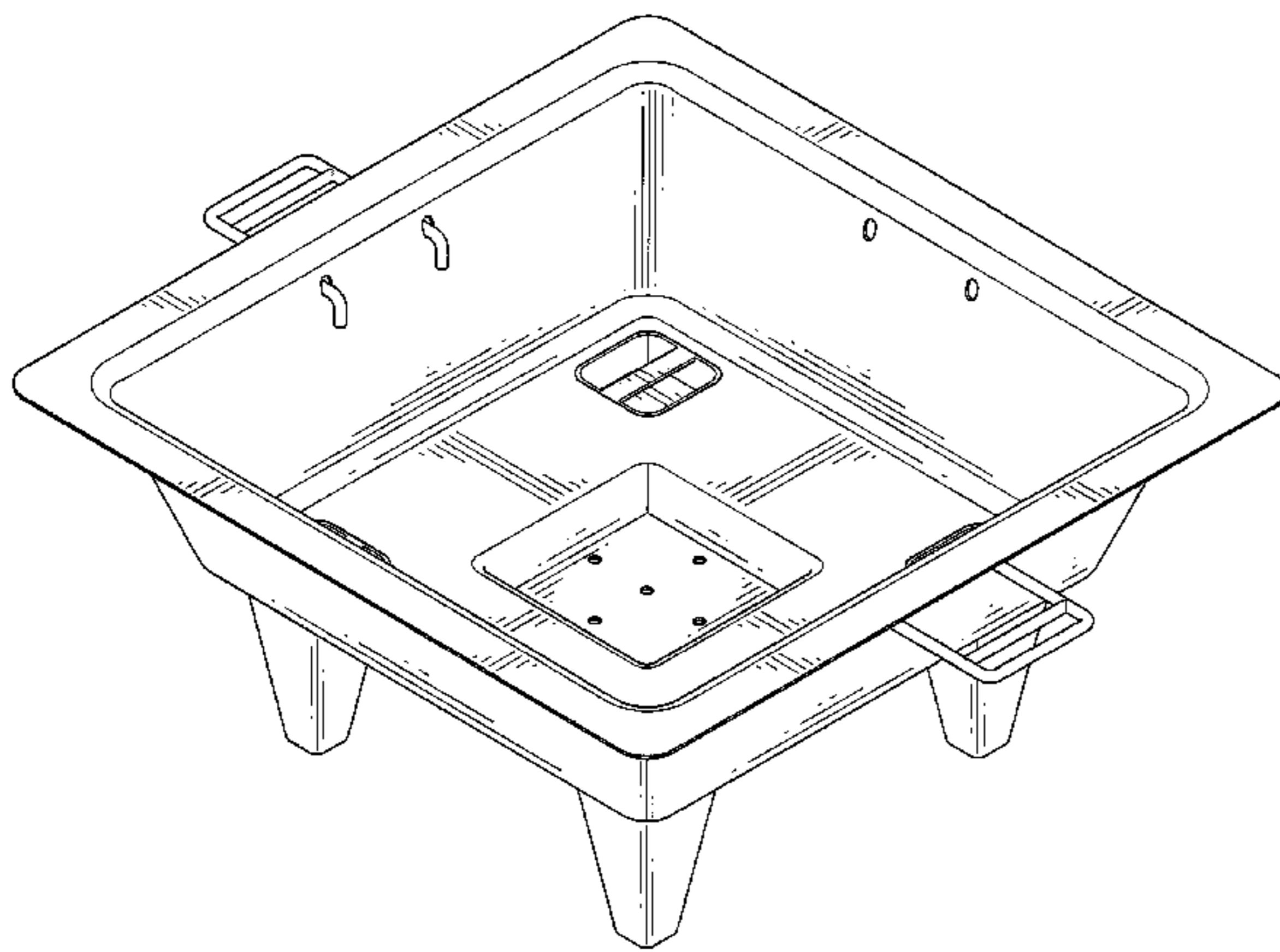
(57) **CLAIM**

I claim the ornamental design for a grill, as shown and described.

DESCRIPTION

FIG. 1 is a perspective view of a grill, showing my new design;
FIG. 2 is a front view thereof;
FIG. 3 is a rear view thereof;
FIG. 4 is a left-side view thereof;
FIG. 5 is a right-side view thereof;
FIG. 6 is a top view thereof;
FIG. 7 is a bottom view thereof;
FIG. 8 is another perspective view thereof; and,
FIG. 9 is a cross sectional side view along line 9-9 in FIG. 6.

1 Claim, 9 Drawing Sheets



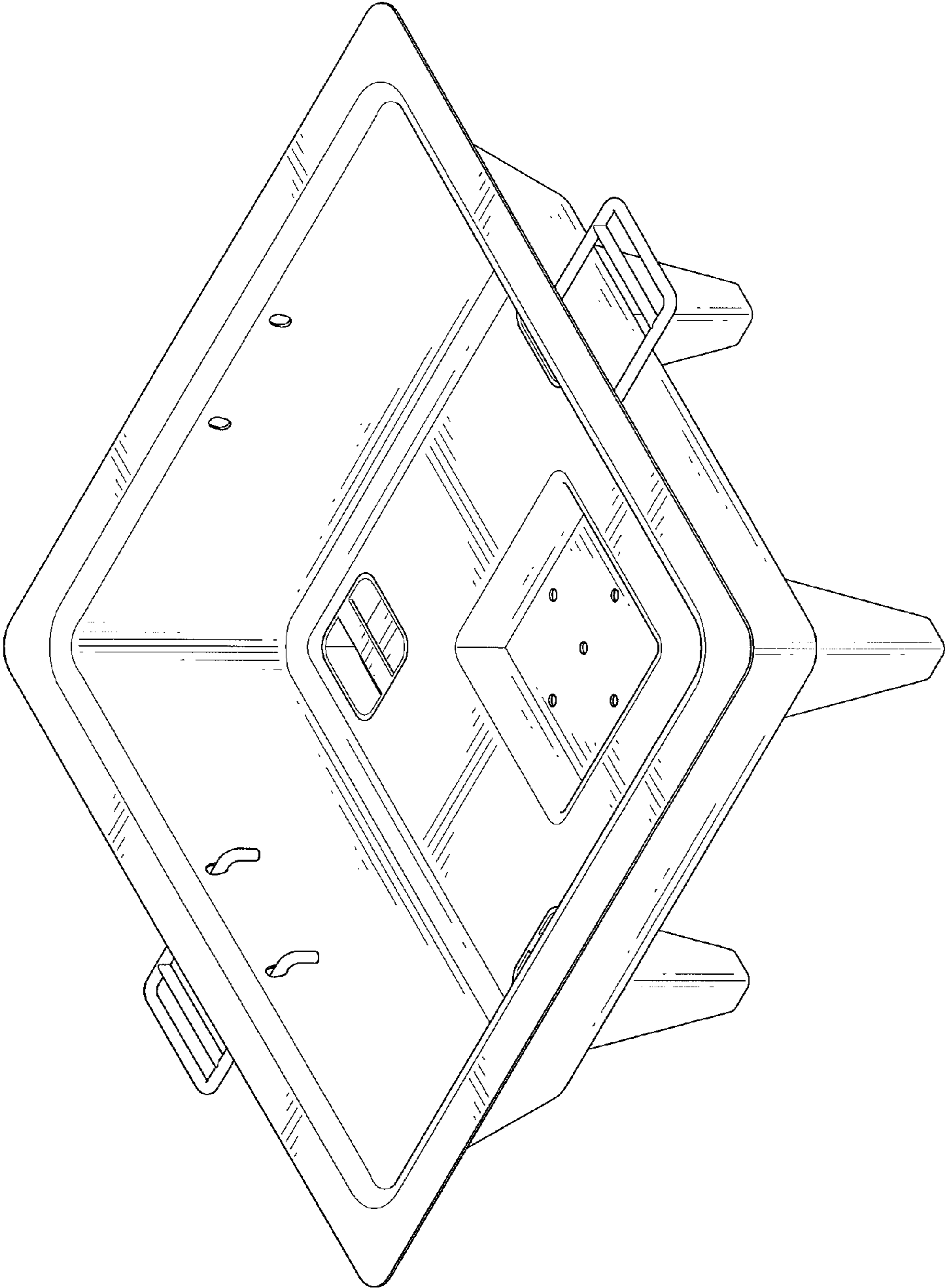


FIG.1

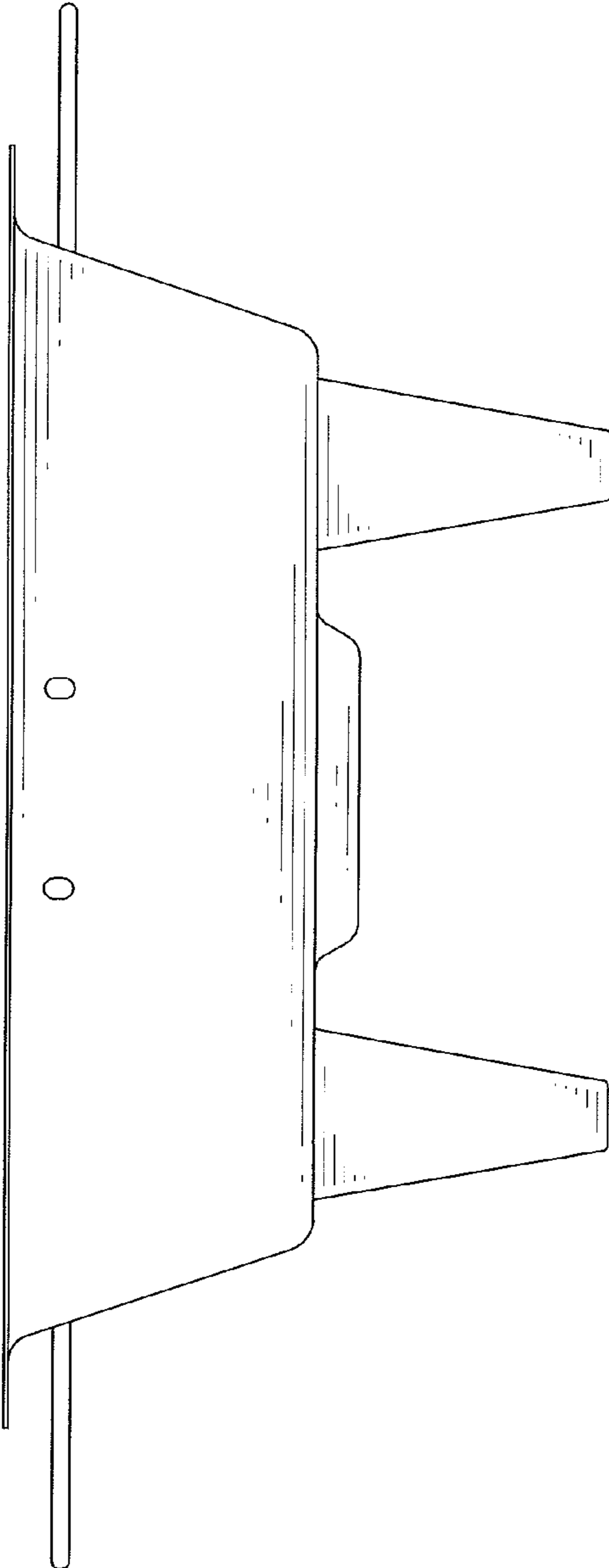


FIG.2

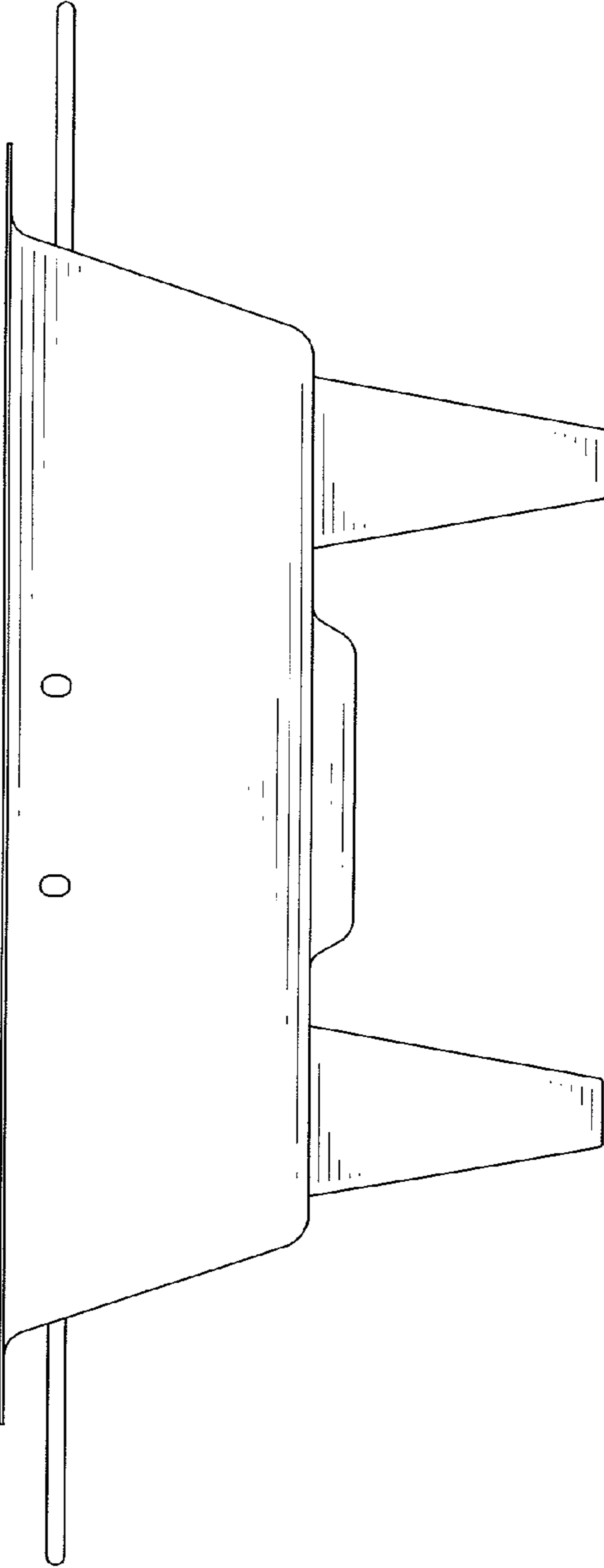


FIG.3

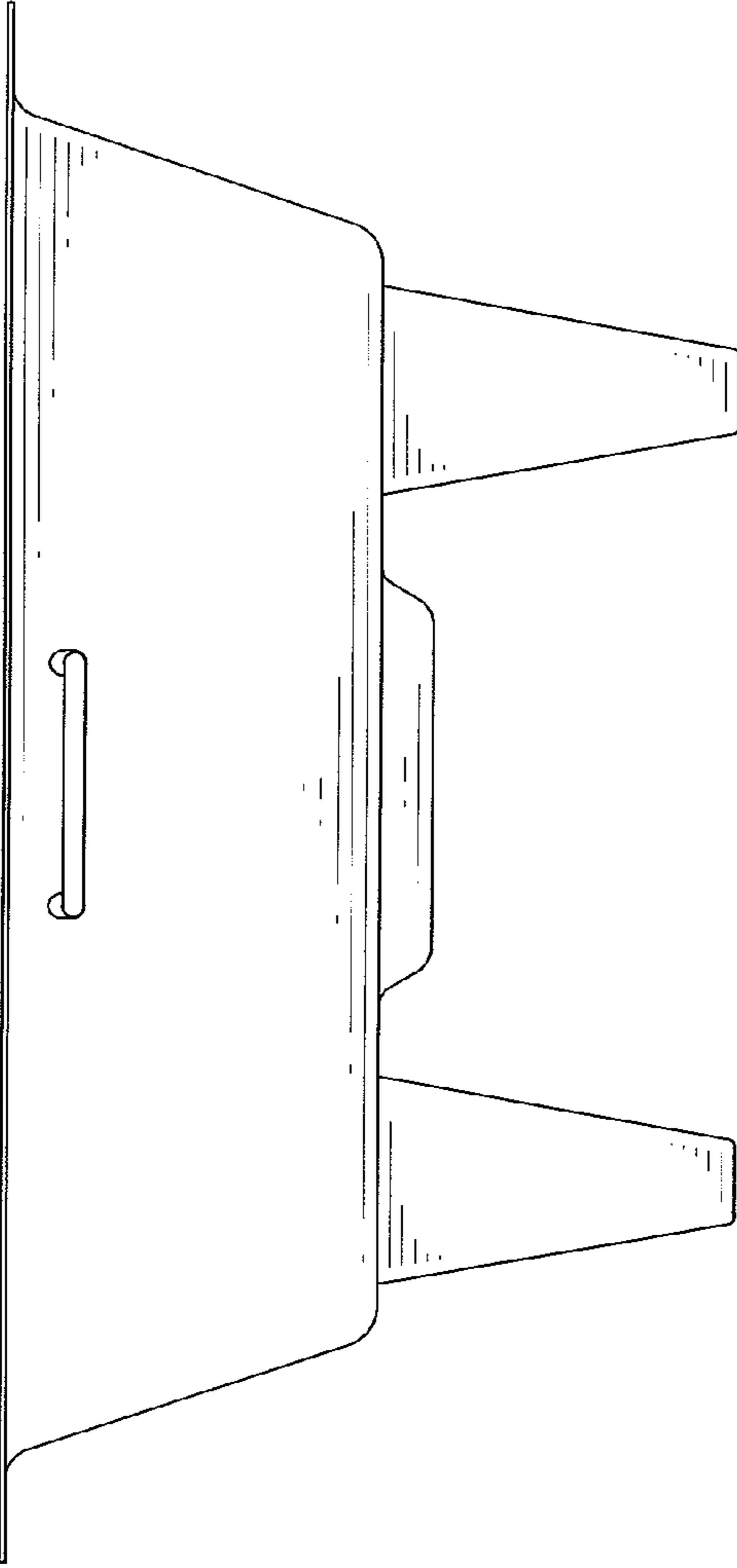


FIG.4

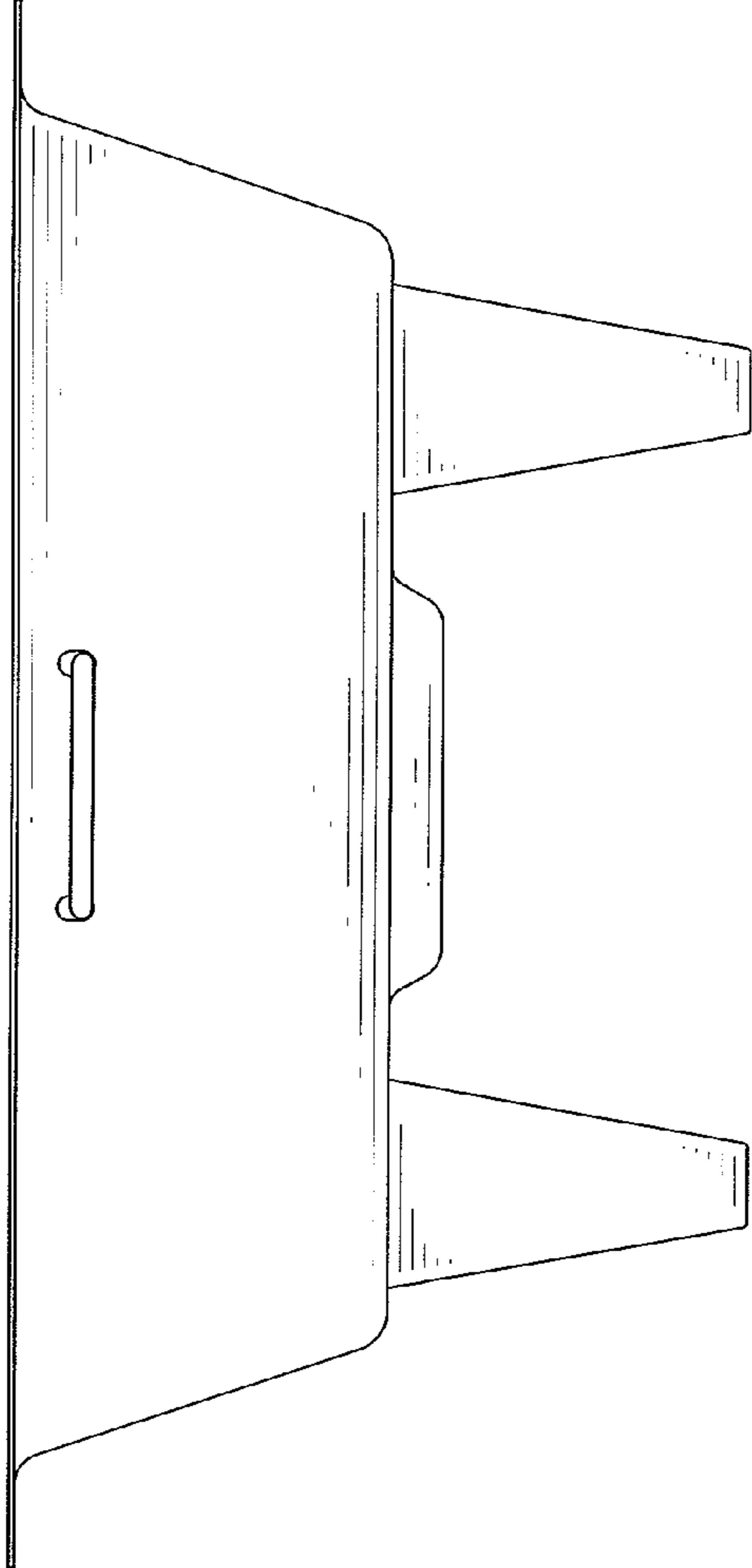


FIG.5

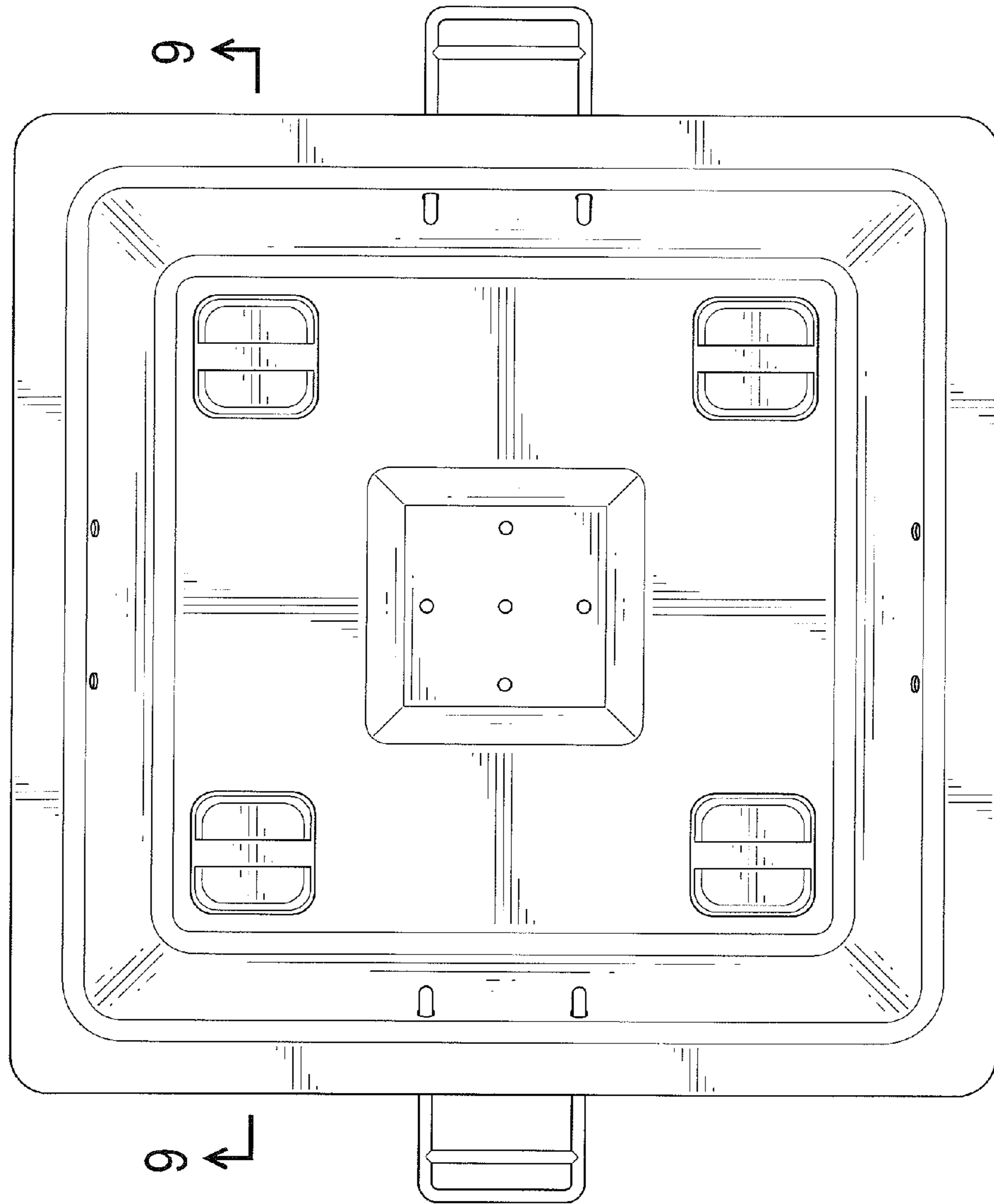


FIG.6

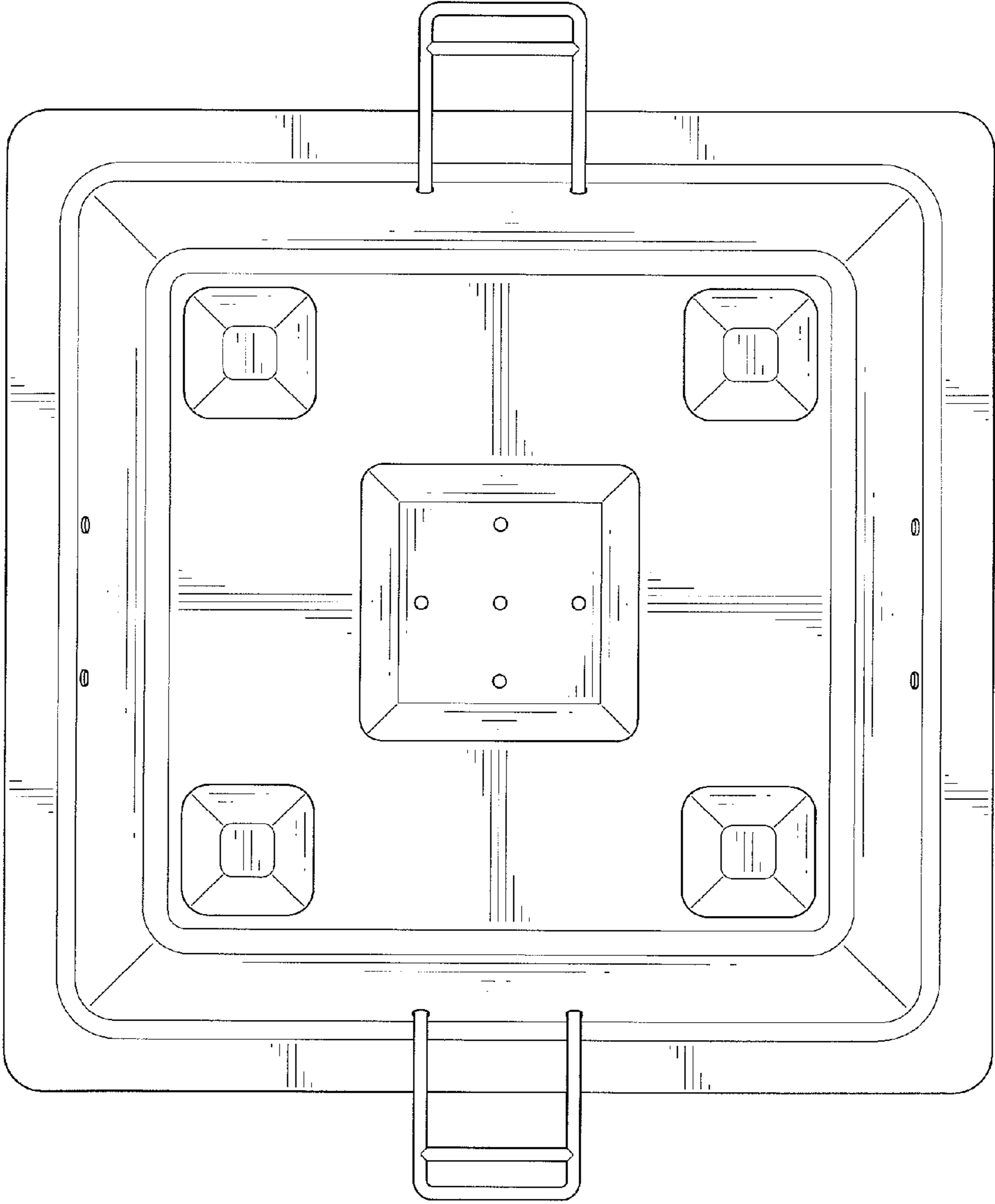


FIG.7

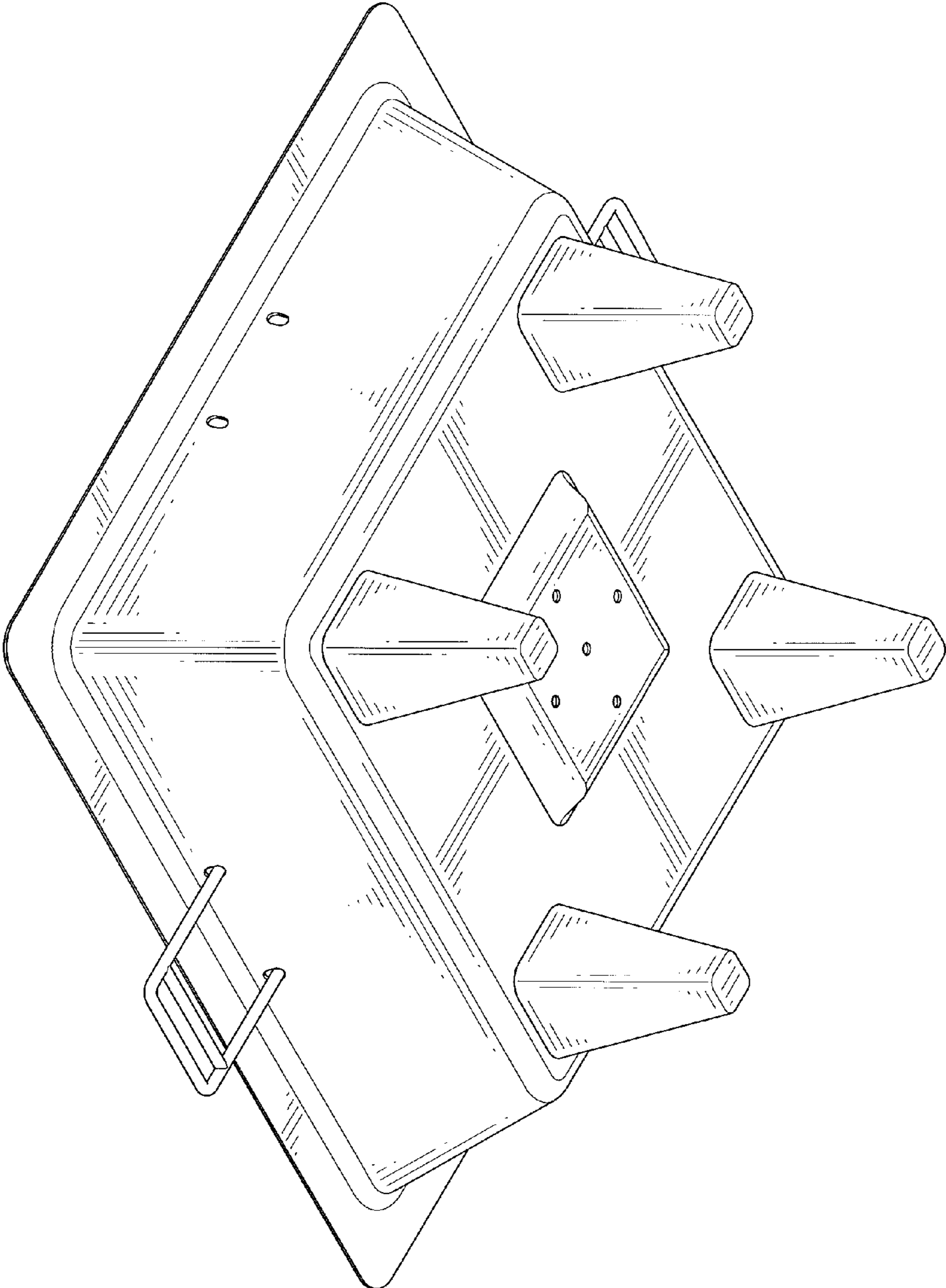


FIG.8

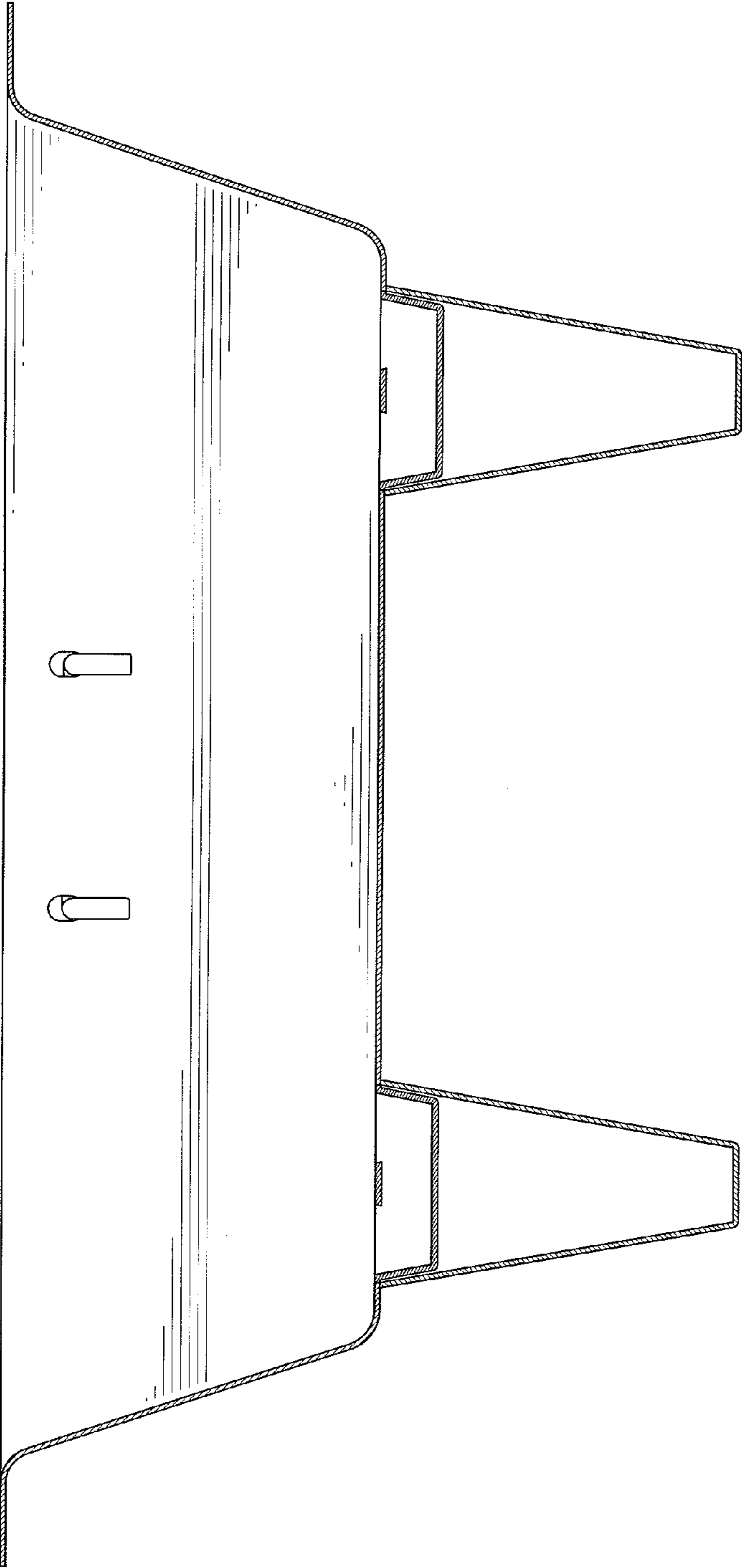


FIG.9