



US00D718568S

(12) **United States Design Patent**  
**Free**

(10) **Patent No.:** **US D718,568 S**

(45) **Date of Patent:** **\*\* Dec. 2, 2014**

(54) **SMOKER GRILL**

(56)

**References Cited**

(71) Applicant: **Guy Free**, Red Oak, OK (US)

(72) Inventor: **Guy Free**, Red Oak, OK (US)

(\*\*) Term: **14 Years**

(21) Appl. No.: **29/457,069**

(22) Filed: **Jun. 6, 2013**

(51) **LOC (10) Cl.** ..... **07-02**

(52) **U.S. Cl.**

USPC ..... **D7/332**

(58) **Field of Classification Search**

CPC ..... A47J 37/07-37/079; A47J 2037/0777

USPC ..... D7/332, 334-337, 402-406; 126/25 R,

126/25 A, 25 AA, 37 R, 41 R, 41 A, 40, 39 M,

126/50, 214 D, 289, 285 R, 505, 506, 276,

126/312, 29-30, 154, 337 A, 83, 275 R, 9 R,

126/39 E, 39 K, 39 J, 39 N, 41 B, 42;

D8/380-381, 373, 354; 248/354.6,

248/354.4, 354.5, 354.1, 207, 213.2,

248/220.21, 309.1, 311.2, 316.1, 243, 247;

99/393, 402; D21/541, 549, 550, 548;

D34/16

U.S. PATENT DOCUMENTS

D260,069 S \* 8/1981 Birmingham ..... D7/335

D285,279 S \* 8/1986 Arevalo et al. .... D7/334

D292,547 S \* 11/1987 Bayer ..... D7/332

D302,094 S \* 7/1989 Reeves ..... D7/334

D340,612 S \* 10/1993 Birmingham ..... D7/334

D351,307 S \* 10/1994 Birmingham ..... D7/334

D366,804 S \* 2/1996 Kitten ..... D7/334

D413,944 S \* 9/1999 Park ..... D21/541

D441,249 S \* 5/2001 Kitten ..... D7/334

D524,092 S \* 7/2006 Bayer ..... D7/334

\* cited by examiner

*Primary Examiner* — Ruth McInroy

(74) *Attorney, Agent, or Firm* — Hall Estill Law Firm

(57)

**CLAIM**

I claim the ornamental design for a smoker grill, as shown and described.

**DESCRIPTION**

FIG. 1 is a right side elevational view of a smoker grill showing my new design;

FIG. 2 is a left side elevational view thereof;

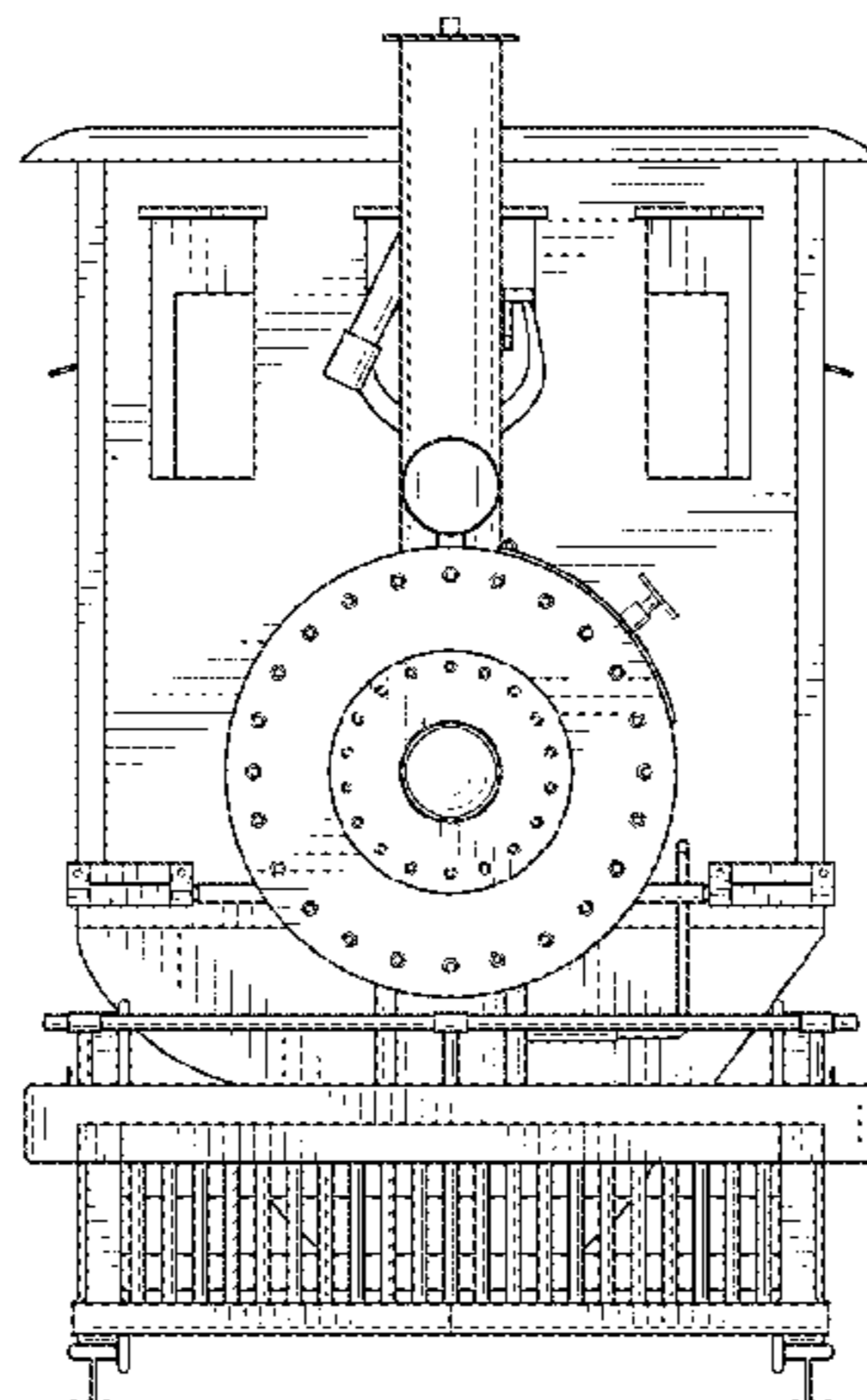
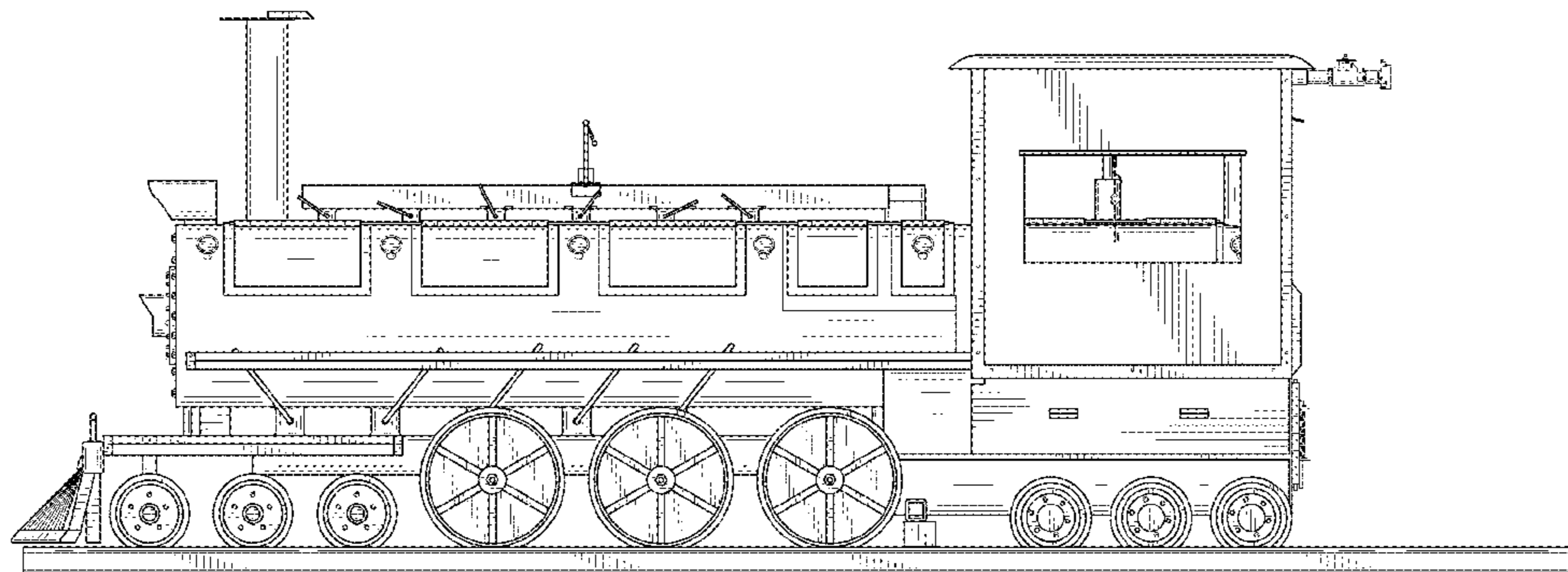
FIG. 3 is a top plan view thereof;

FIG. 4 is a front elevational view thereof; and,

FIG. 5 is a rear elevational view thereof.

See application file for complete search history.

**1 Claim, 4 Drawing Sheets**



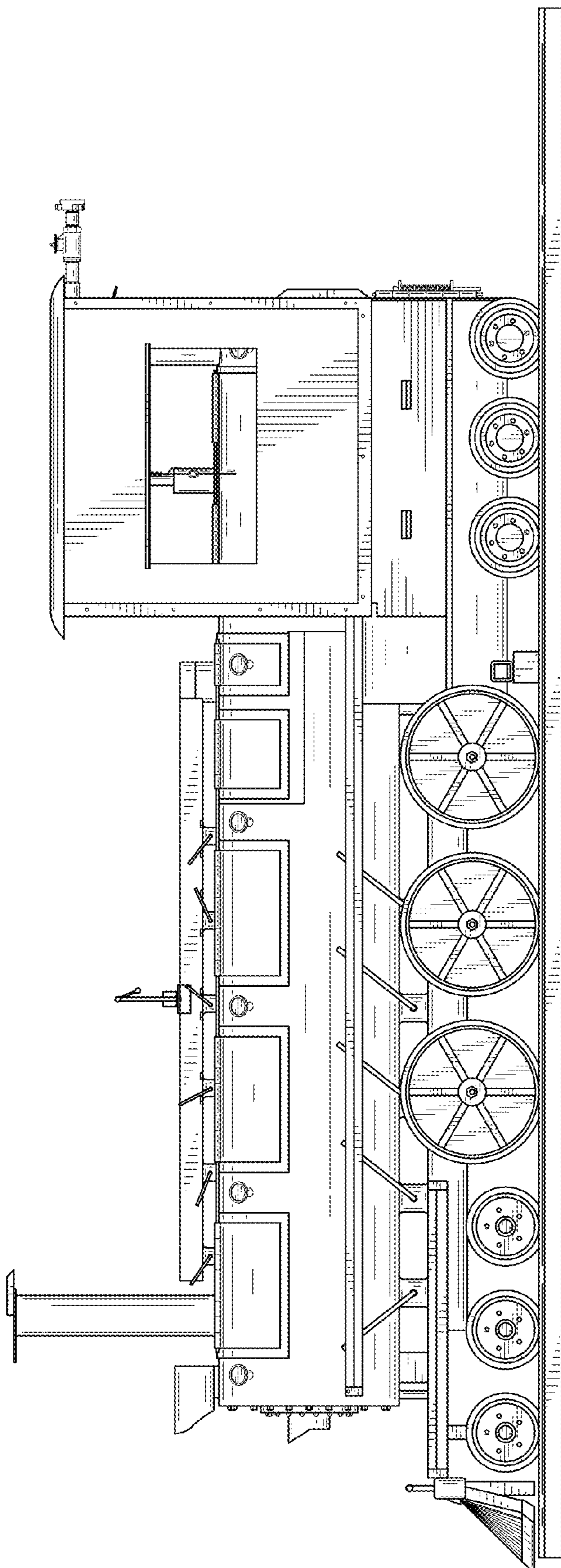


FIG. 1

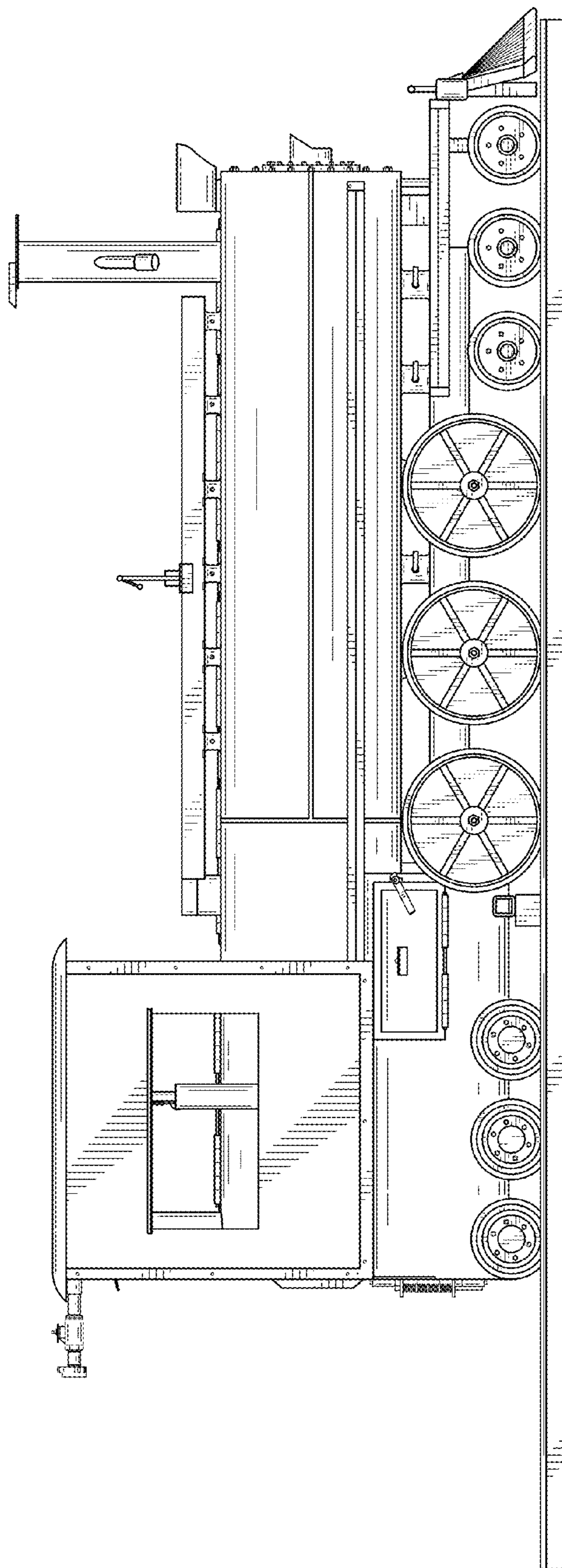


FIG. 2

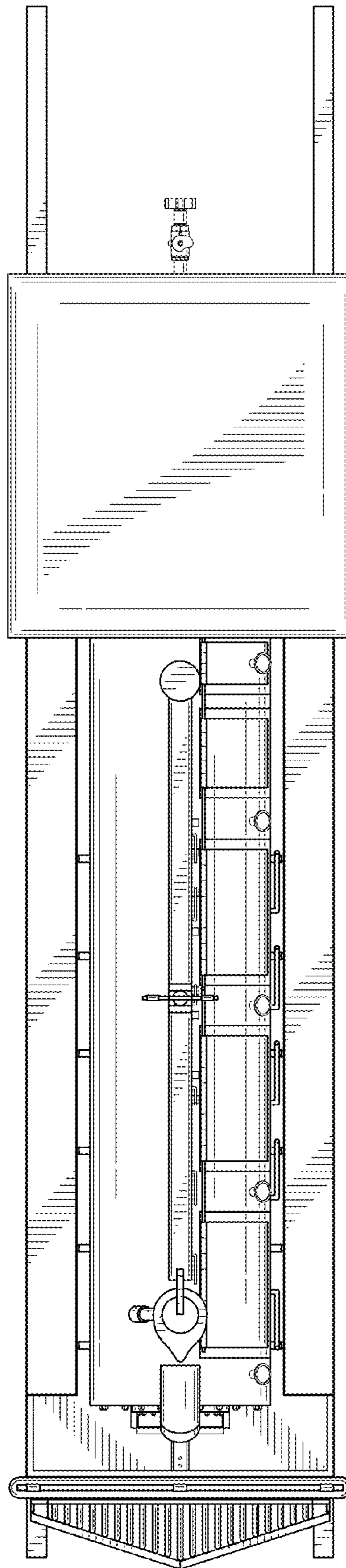


FIG. 3

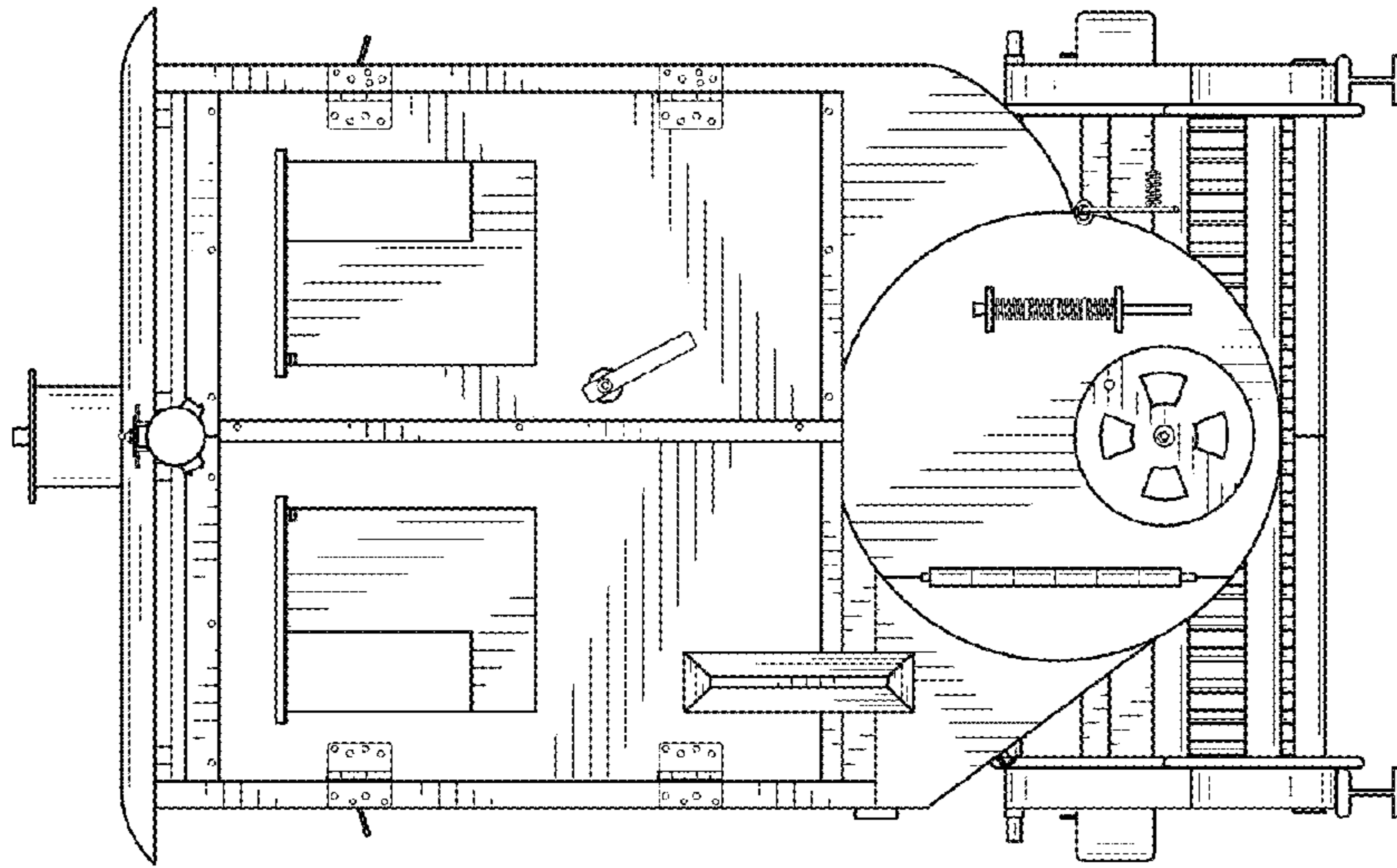


FIG. 5

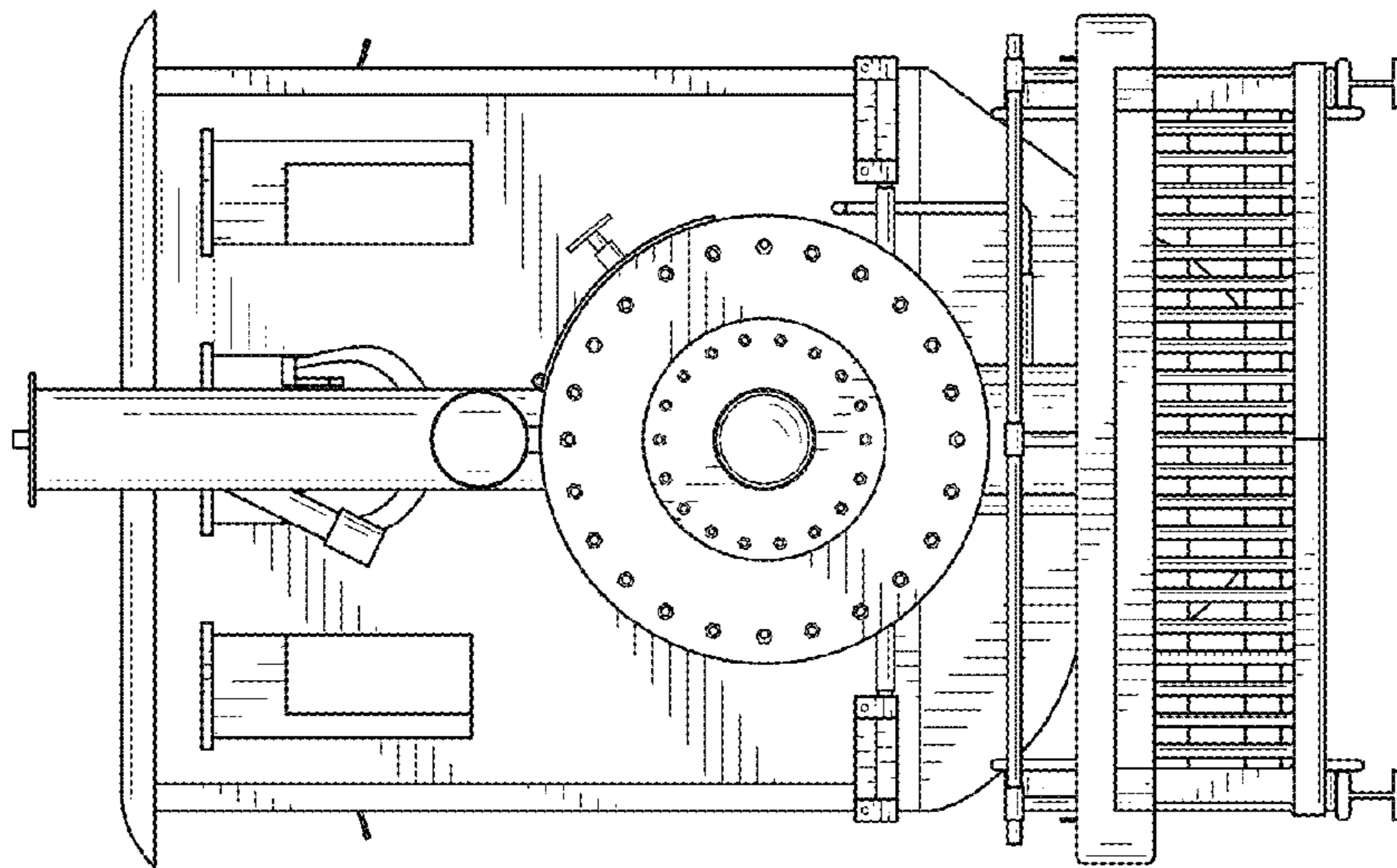


FIG. 4