



US00D718567S

(12) **United States Design Patent**  
**Lu**

(10) **Patent No.:** **US D718,567 S**  
(45) **Date of Patent:** **\*\* Dec. 2, 2014**

(54) **COFFEE POT**

(71) Applicant: **Junhong Sam Lu**, Guangdong Province (CN)

(72) Inventor: **Junhong Sam Lu**, Guangdong Province (CN)

(\*\*) Term: **14 Years**

(21) Appl. No.: **29/451,713**

(22) Filed: **Apr. 8, 2013**

(51) **LOC (10) Cl.** ..... **07-01**

(52) **U.S. Cl.**  
USPC ..... **D7/319; D7/317**

(58) **Field of Classification Search**  
USPC ..... D7/312, 300, 316-319; 222/465.1, 222/189.06, 571; 215/398, 235, 12.1; 220/713  
See application file for complete search history.

(56) **References Cited**

**U.S. PATENT DOCUMENTS**

D342,414 S *	12/1993	Jorgensen	.....	D7/317
D377,132 S *	1/1997	Jørgensen	.....	D7/318
D383,638 S *	9/1997	Joergensen	.....	D7/319
D383,639 S *	9/1997	Jorgensen	.....	D7/319
D386,040 S *	11/1997	Joergensen	.....	D7/317
D386,351 S *	11/1997	Joergensen	.....	D7/319
D405,641 S *	2/1999	Brady	.....	D7/319
D441,248 S *	5/2001	Brady	.....	D7/319
D448,603 S *	10/2001	Yeh	.....	D7/319
D449,760 S *	10/2001	Yeh	.....	D7/319
D449,957 S *	11/2001	Yeh	.....	D7/319
D458,074 S *	6/2002	Bodum	.....	D7/319
D513,919 S *	1/2006	Bodum	.....	D7/319

D567,007 S *	4/2008	Bodum	.....	D7/319
D596,891 S *	7/2009	Bodum	.....	D7/319
D610,860 S *	3/2010	Bodum	.....	D7/319
D628,846 S *	12/2010	Bodum	.....	D7/319
D646,110 S *	10/2011	Munro	.....	D7/317
D680,792 S *	4/2013	Bodum	.....	D7/319
D681,388 S *	5/2013	Bodum	.....	D7/319
D686,034 S *	7/2013	Bodum	.....	D7/318

\* cited by examiner

*Primary Examiner* — Marianne Pandozzi

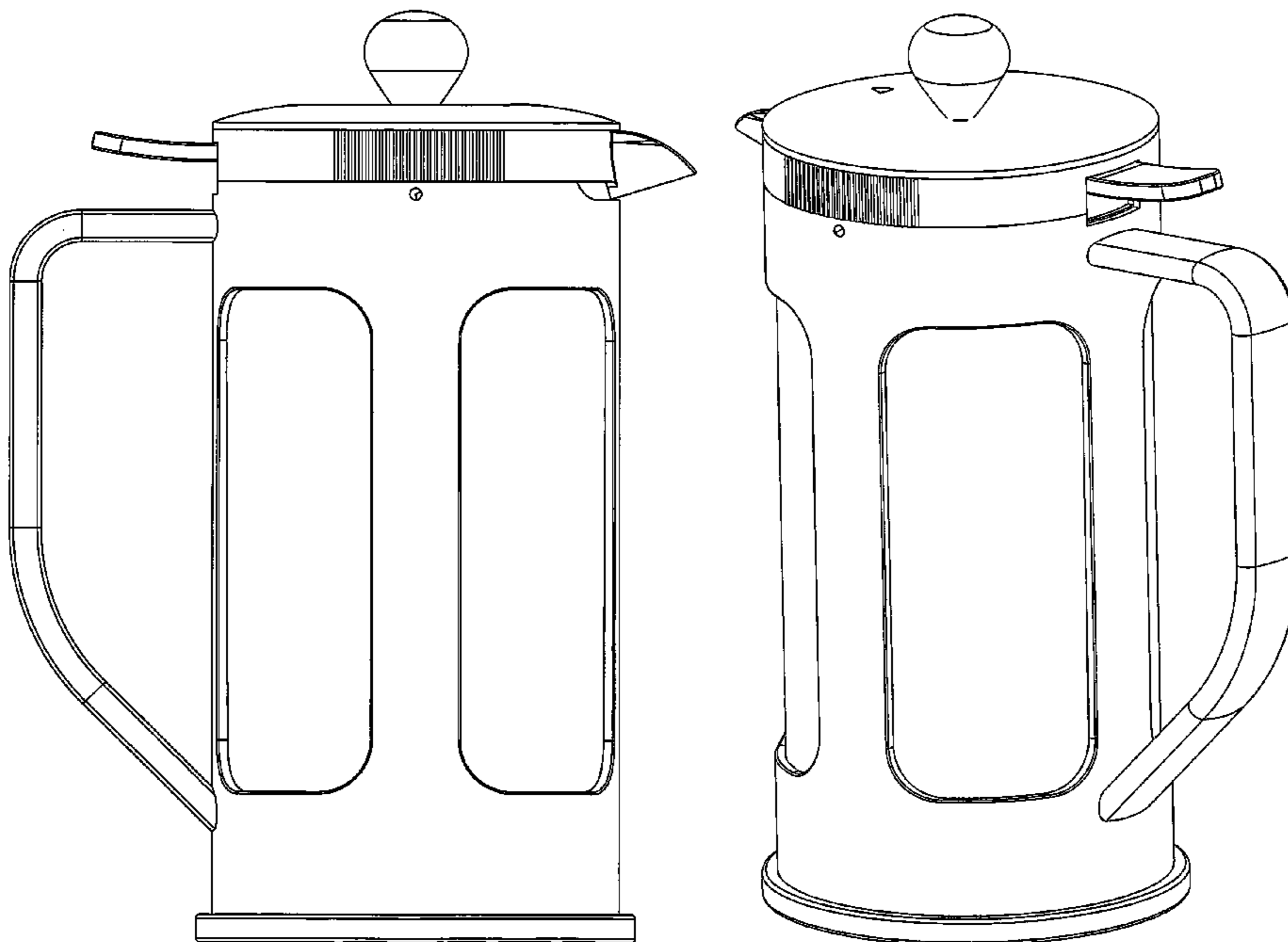
(57) **CLAIM**

The ornamental design for a coffee pot, as shown and described.

**DESCRIPTION**

FIG. 1 is a front elevational view of a coffee pot showing my new design;  
 FIG. 2 is a rear elevational view thereof;  
 FIG. 3 is a left side view thereof;  
 FIG. 4 is a right side view thereof;  
 FIG. 5 is a top plan view thereof;  
 FIG. 6 is a bottom plan view thereof;  
 FIG. 7 is a perspective view thereof;  
 FIG. 8 is another perspective view thereof;  
 FIG. 9 is a disassembled view thereof;  
 FIG. 10 is a front view of the disassembled view shown in FIG. 9;  
 FIG. 11 is another disassembled view thereof; and,  
 FIG. 12 is a perspective view of the disassembled view shown in FIG. 11.

**1 Claim, 12 Drawing Sheets**



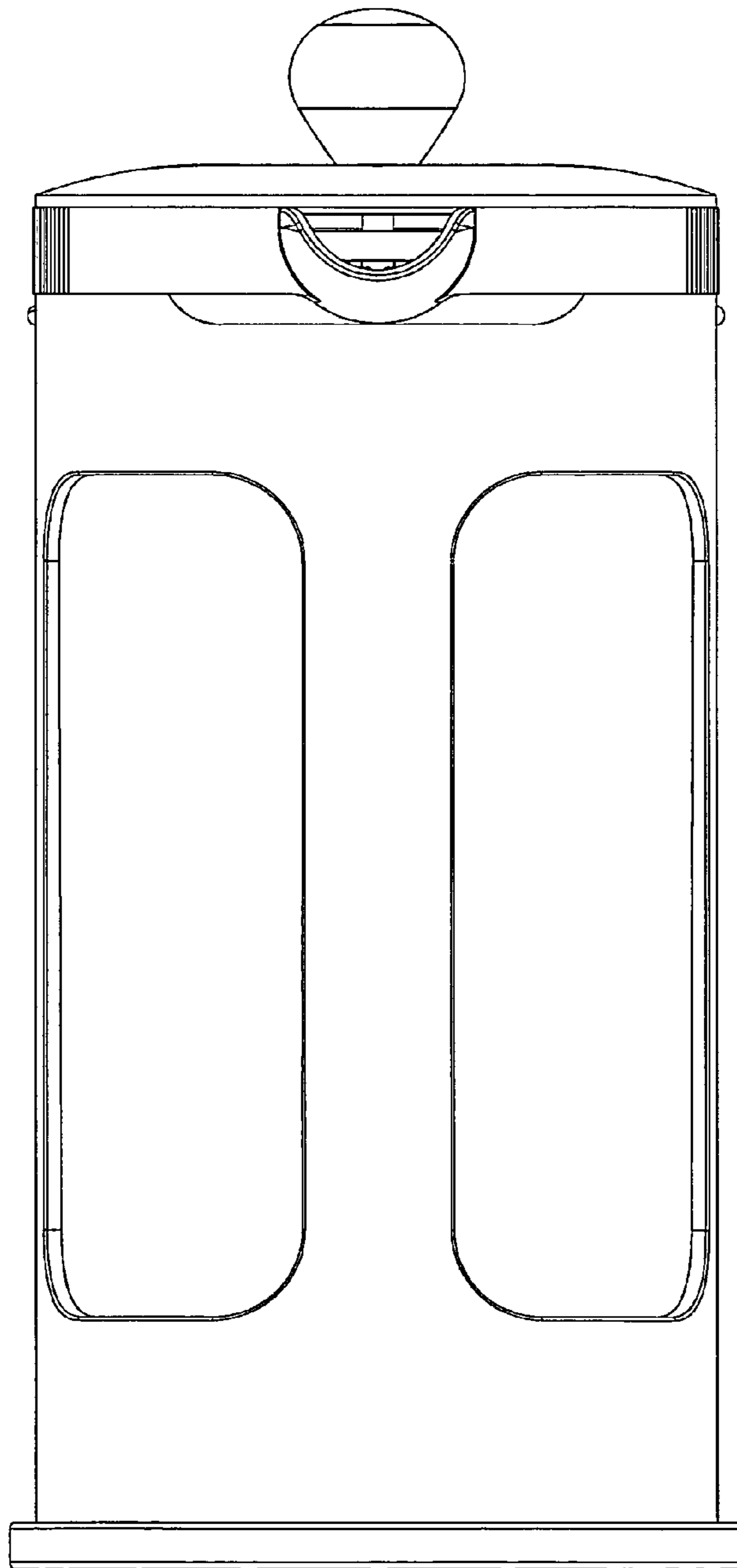


FIG. 1

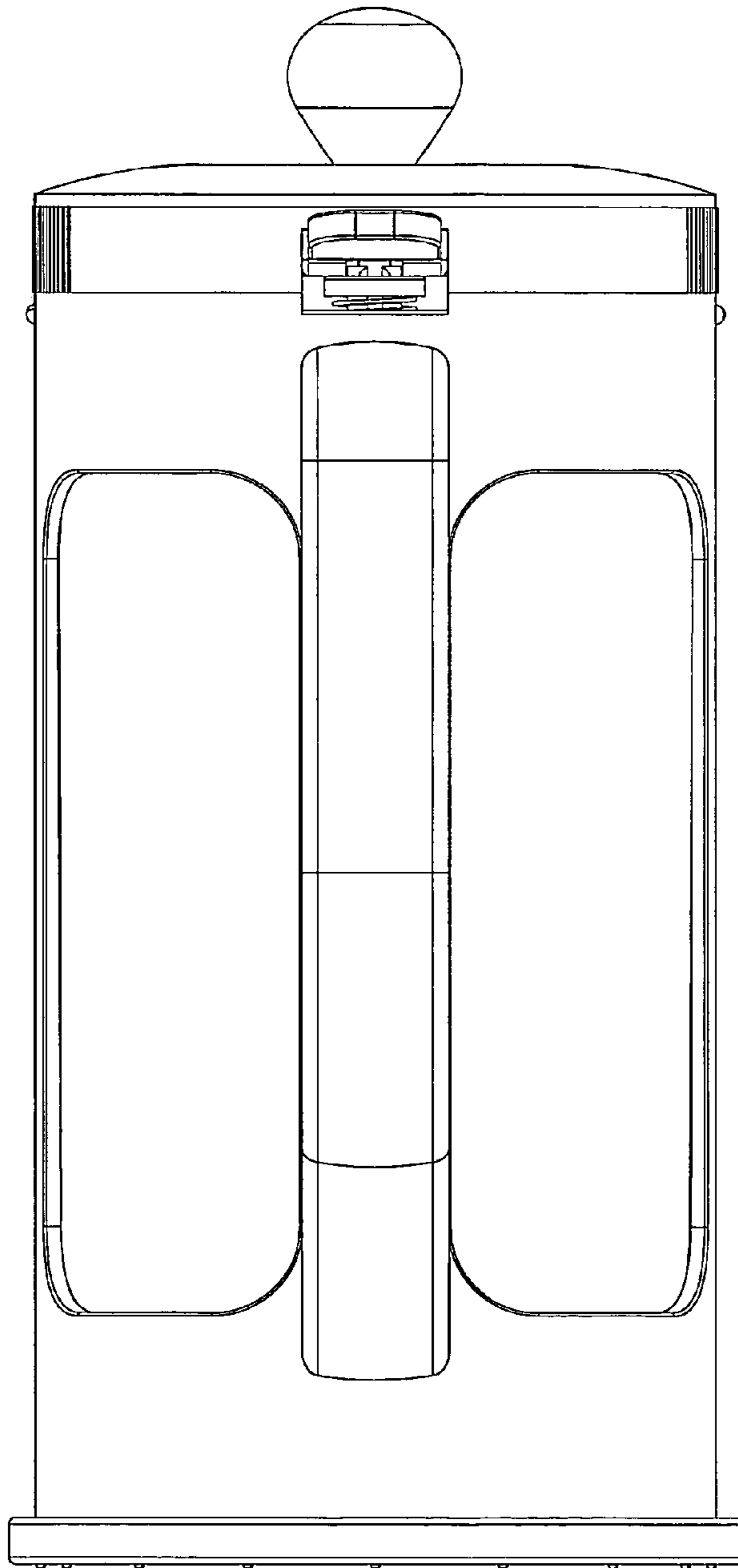


FIG. 2

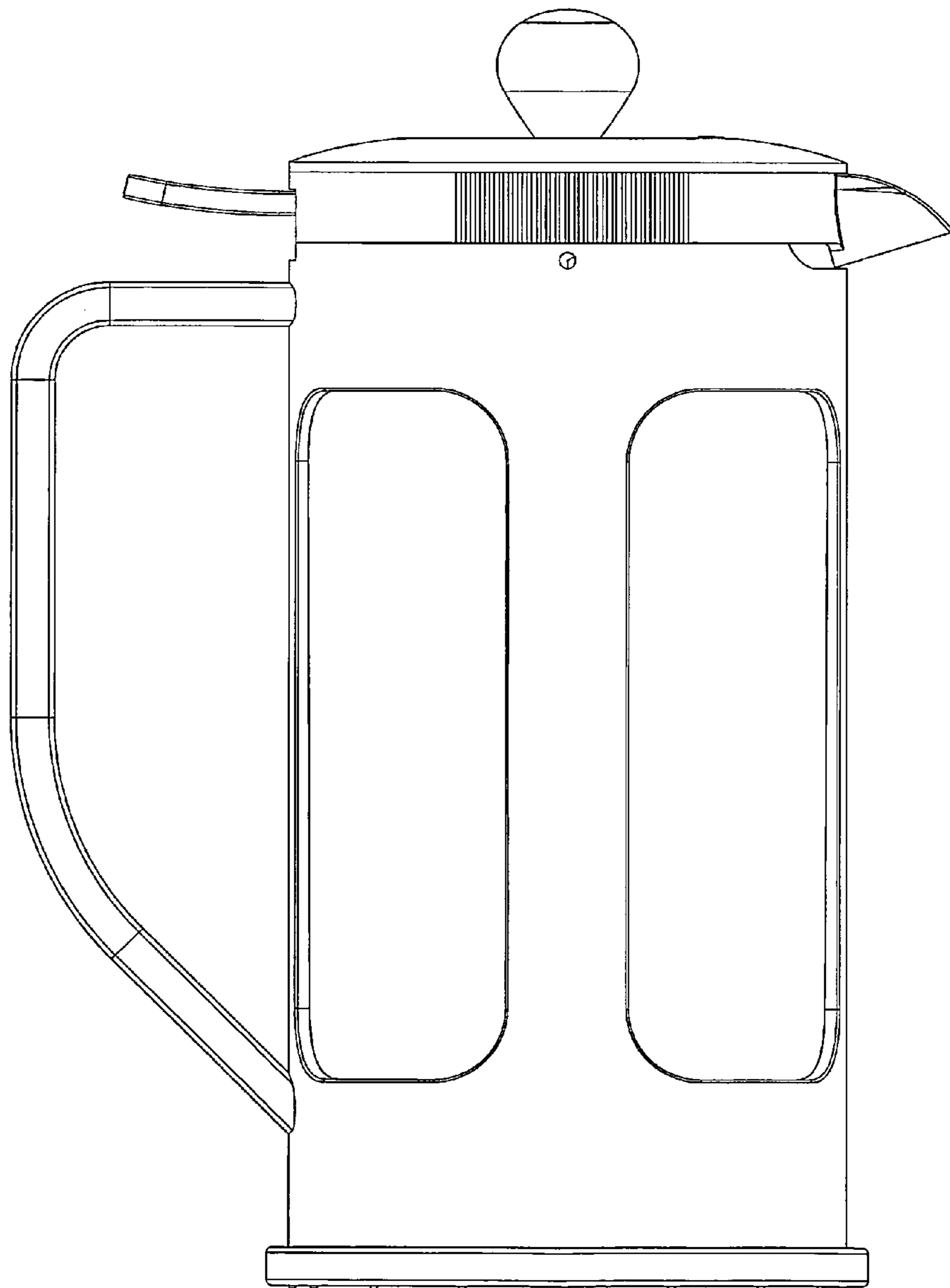


FIG. 3

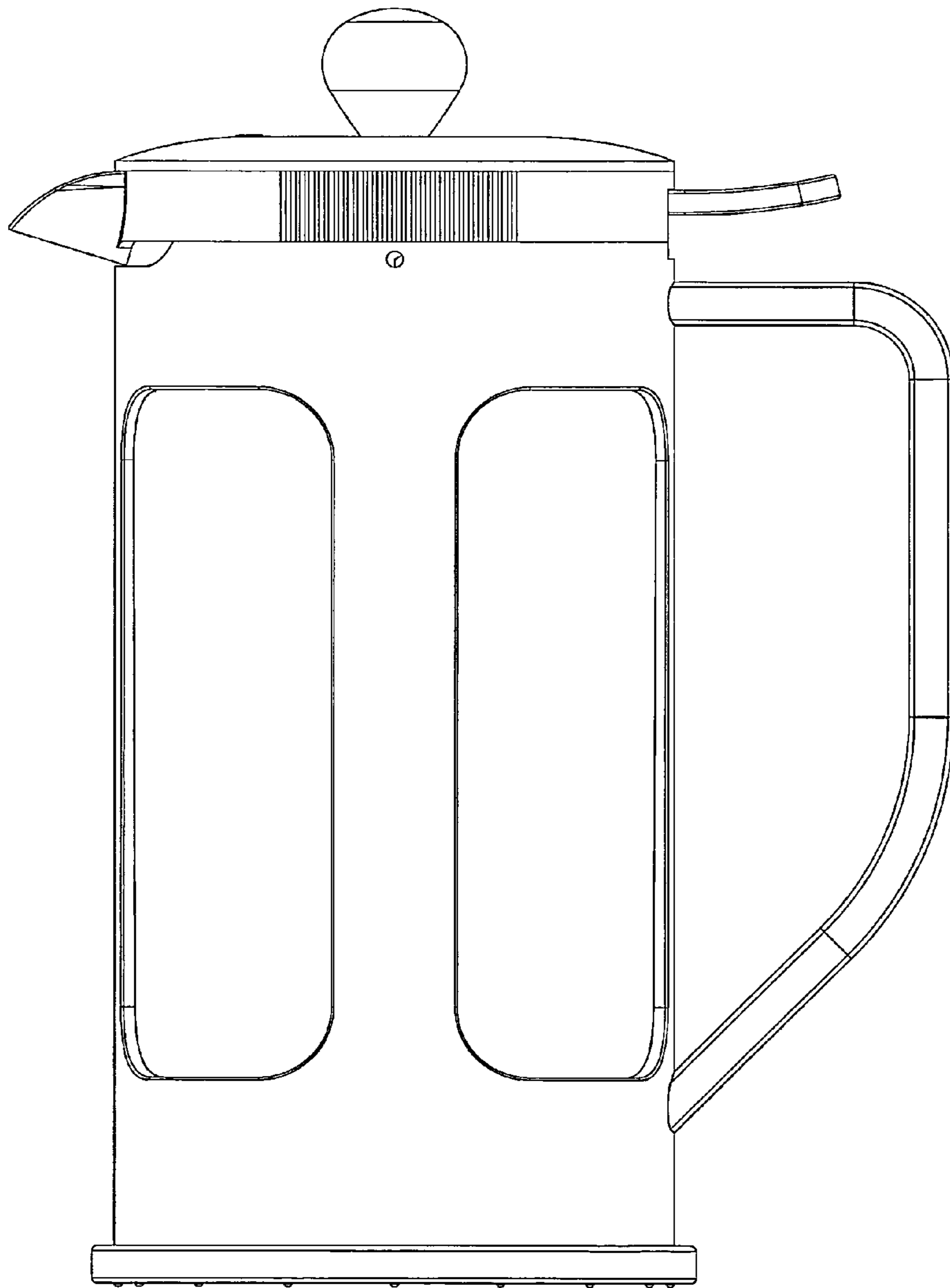


FIG. 4

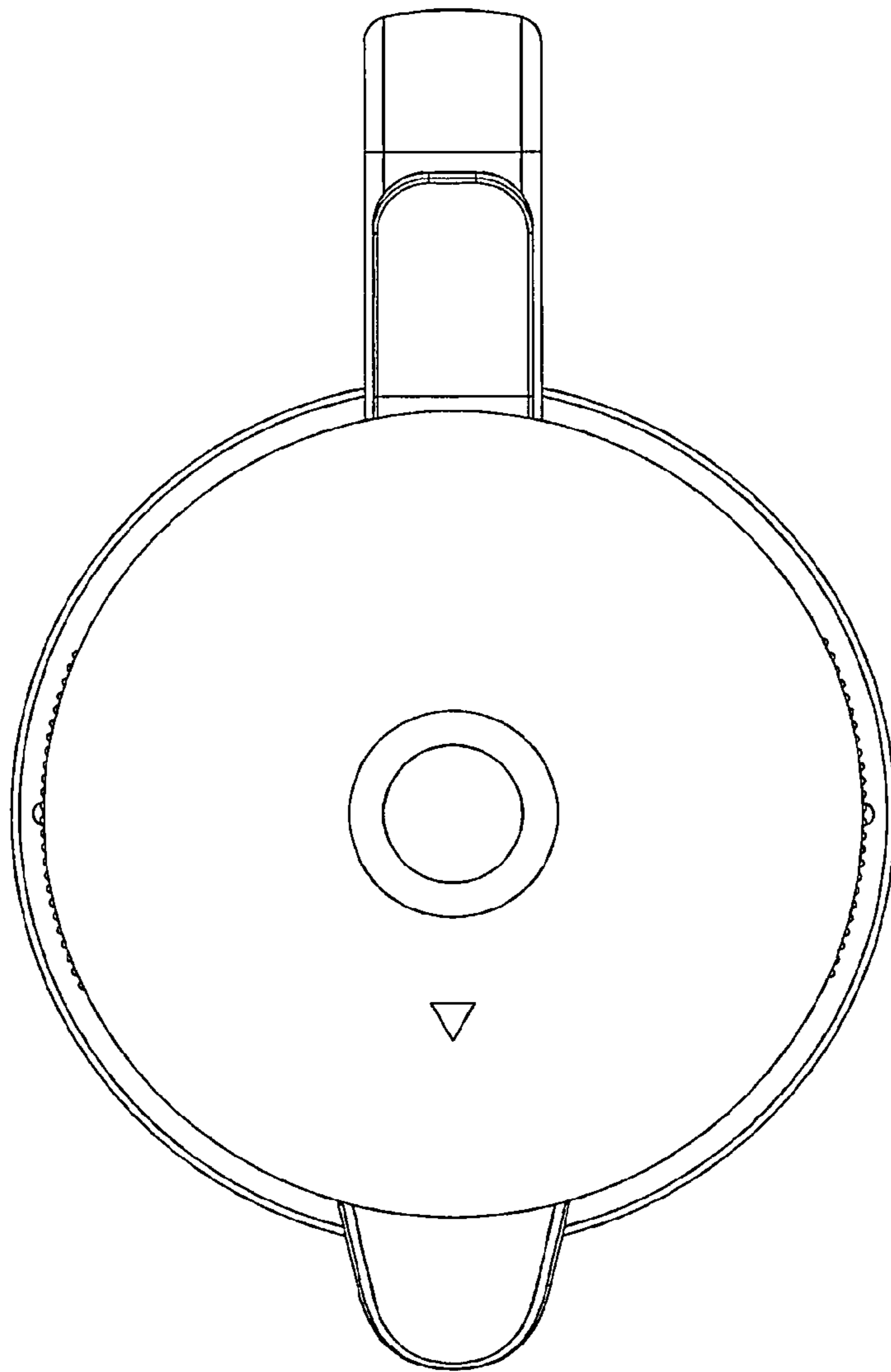


FIG. 5

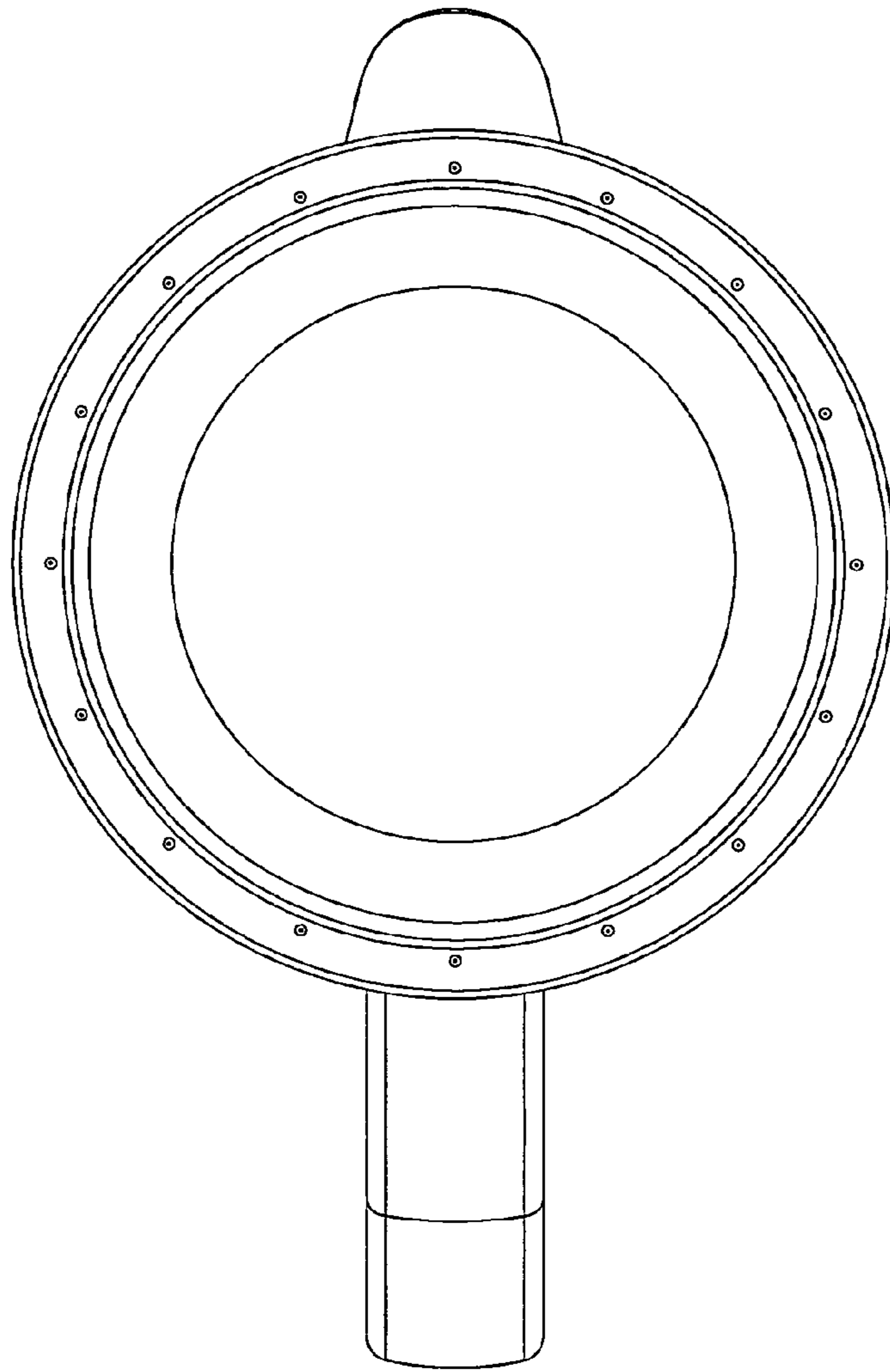


FIG. 6

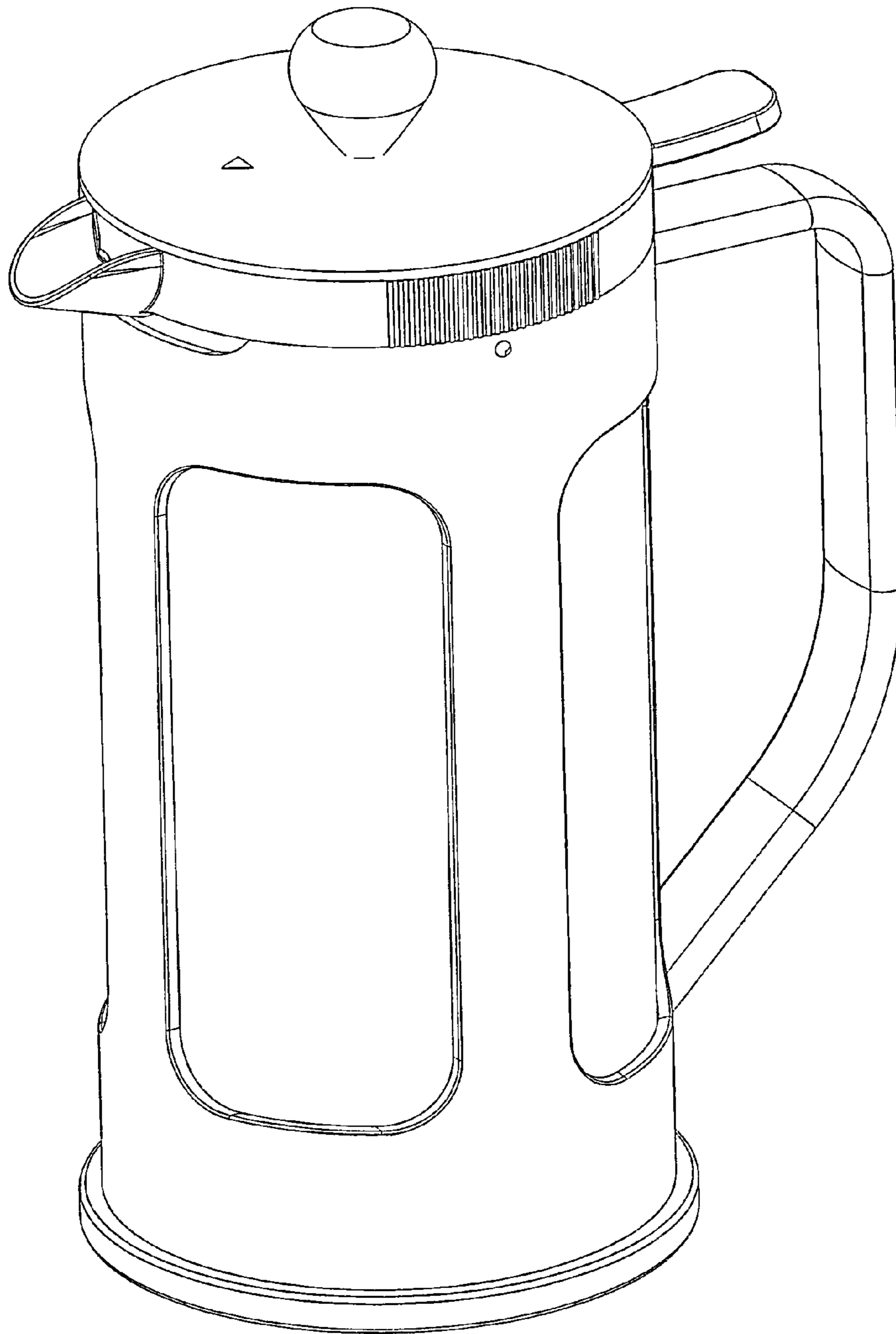


FIG. 7



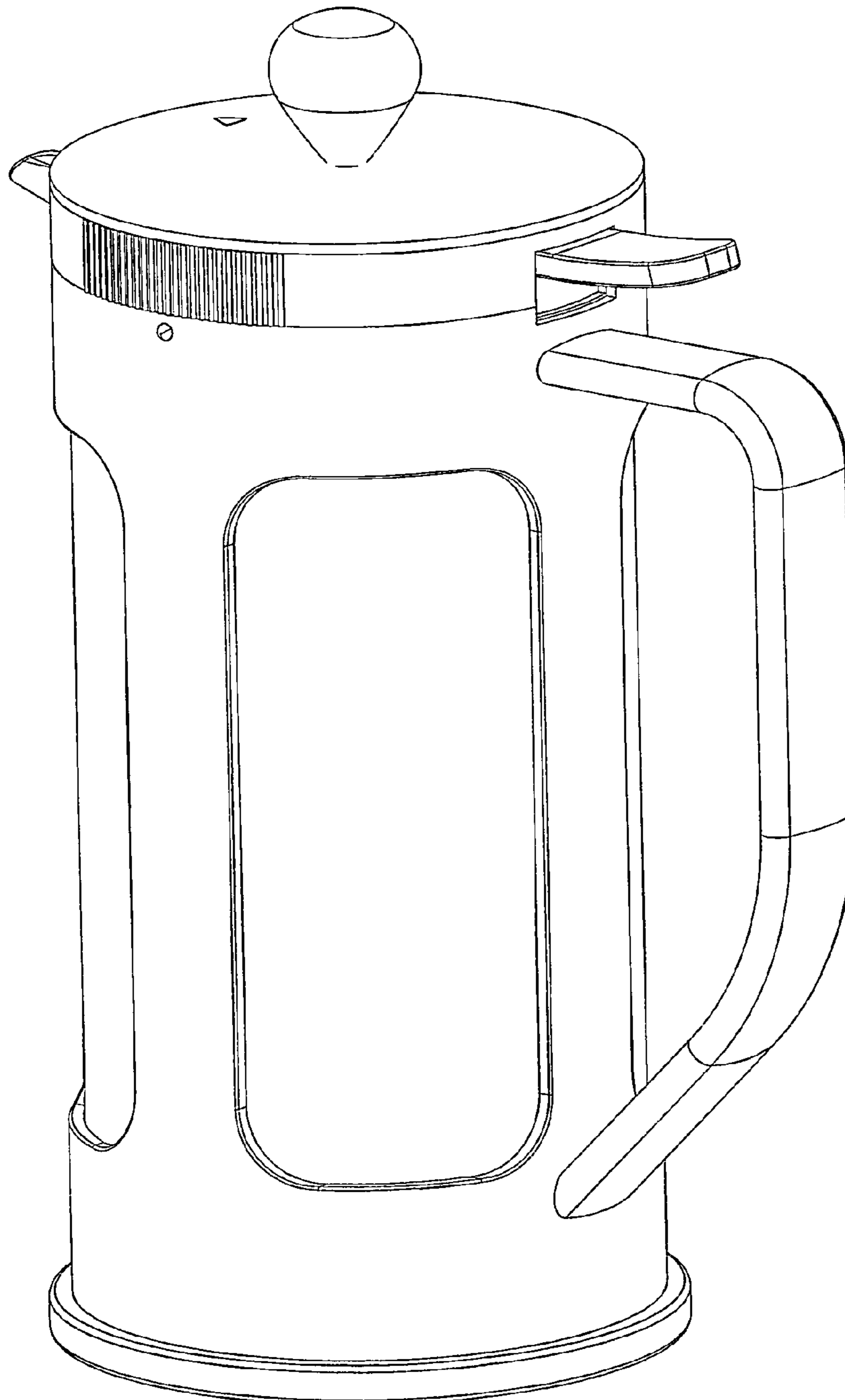


FIG. 8

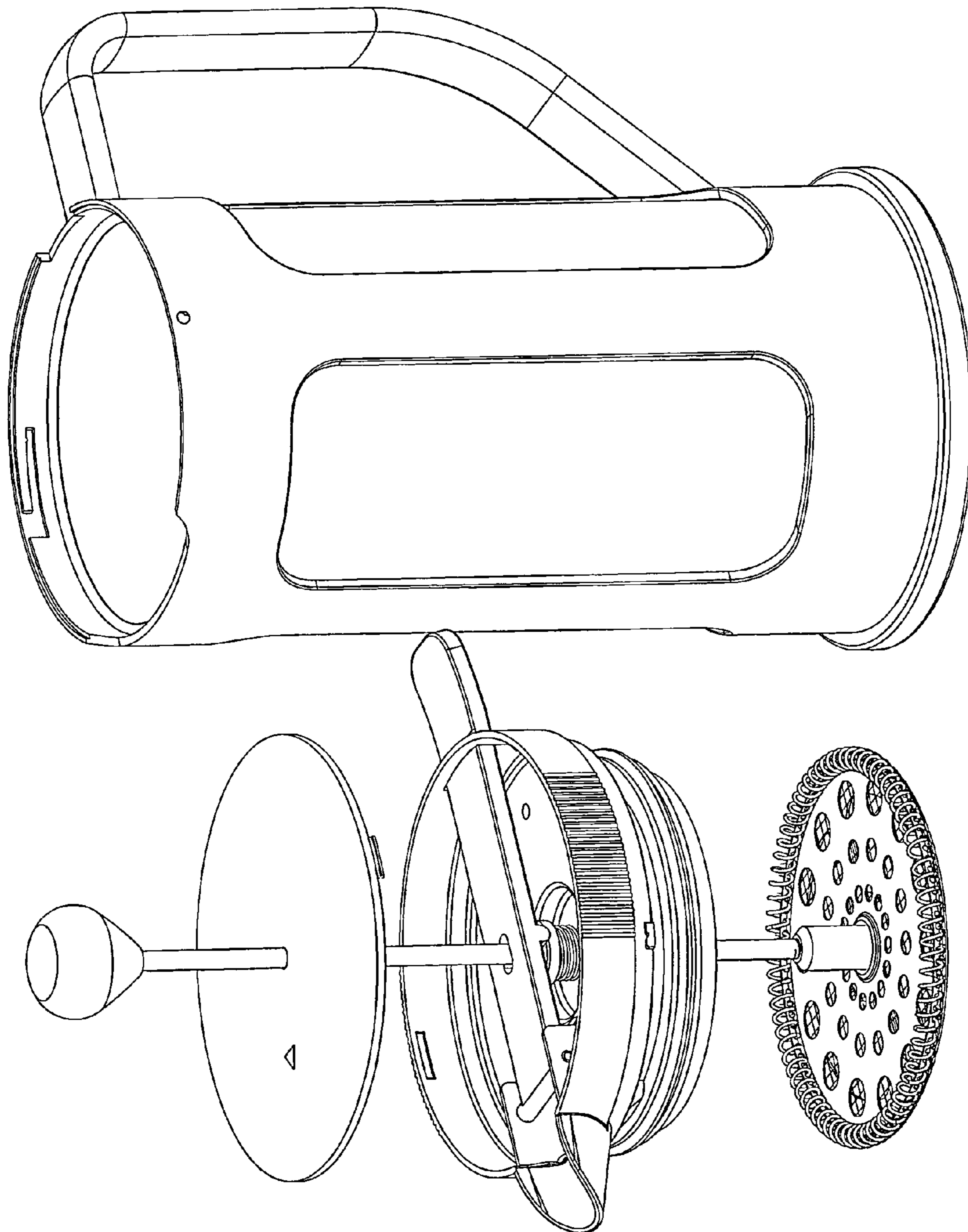


FIG. 9

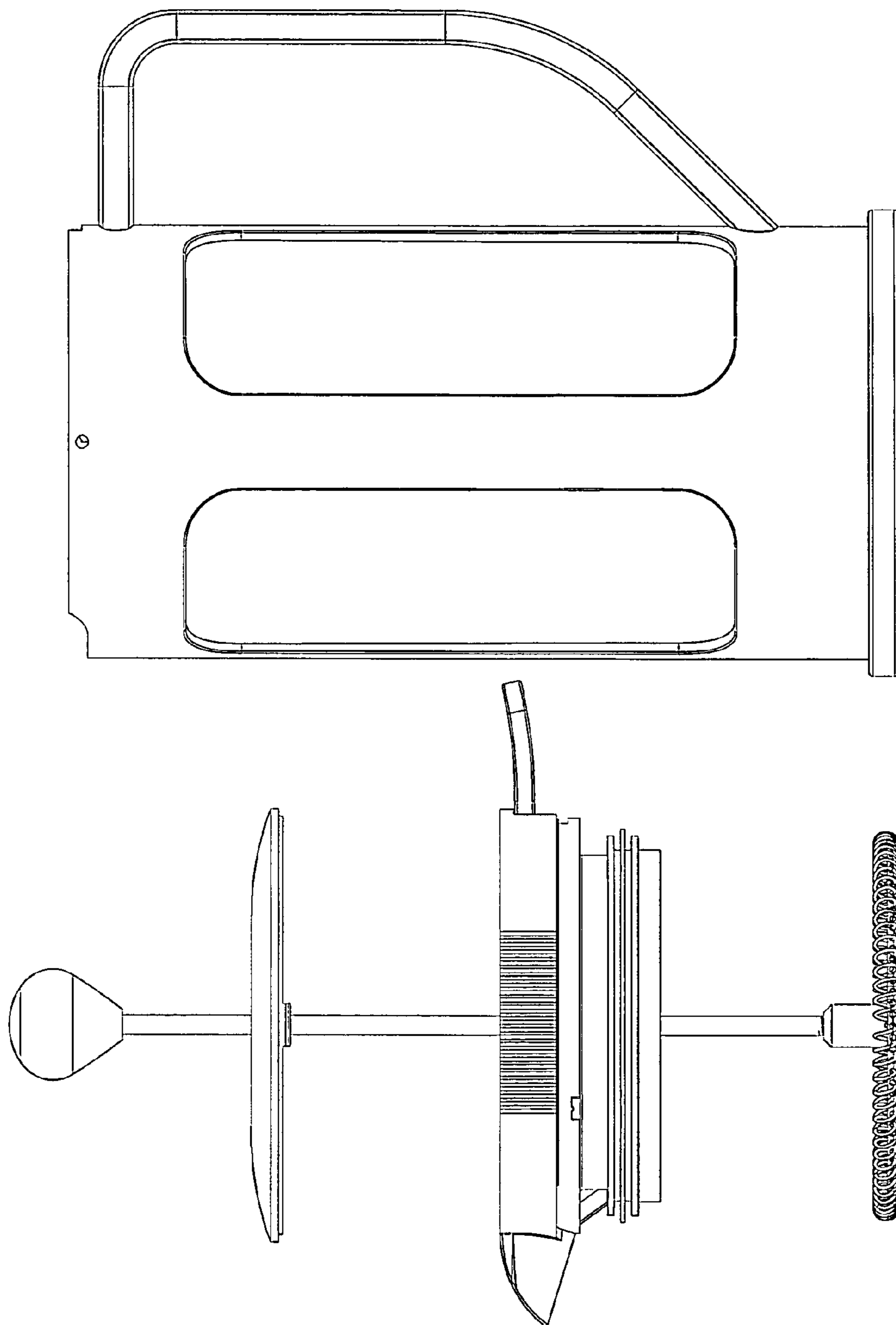


FIG. 10

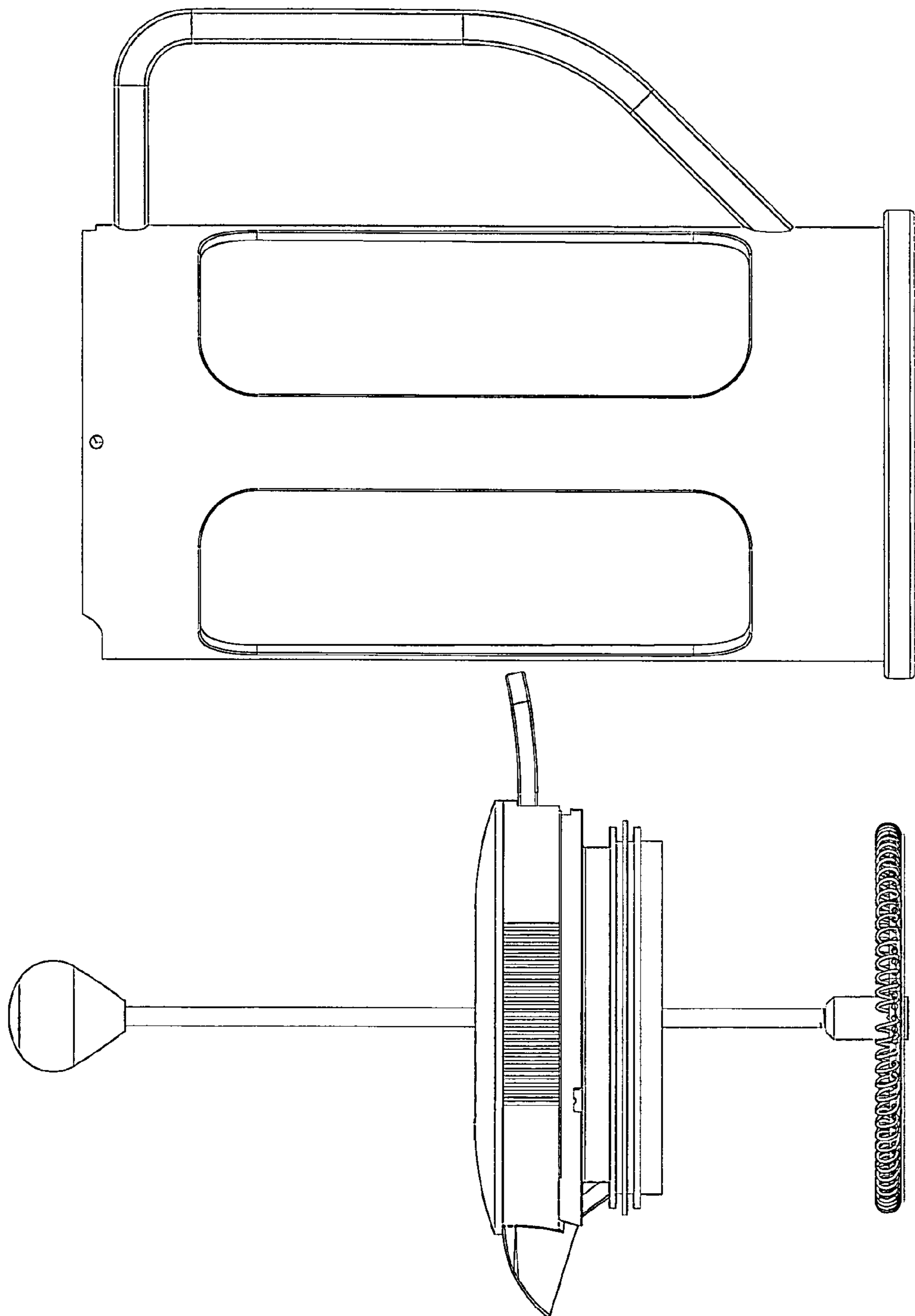


FIG. 11

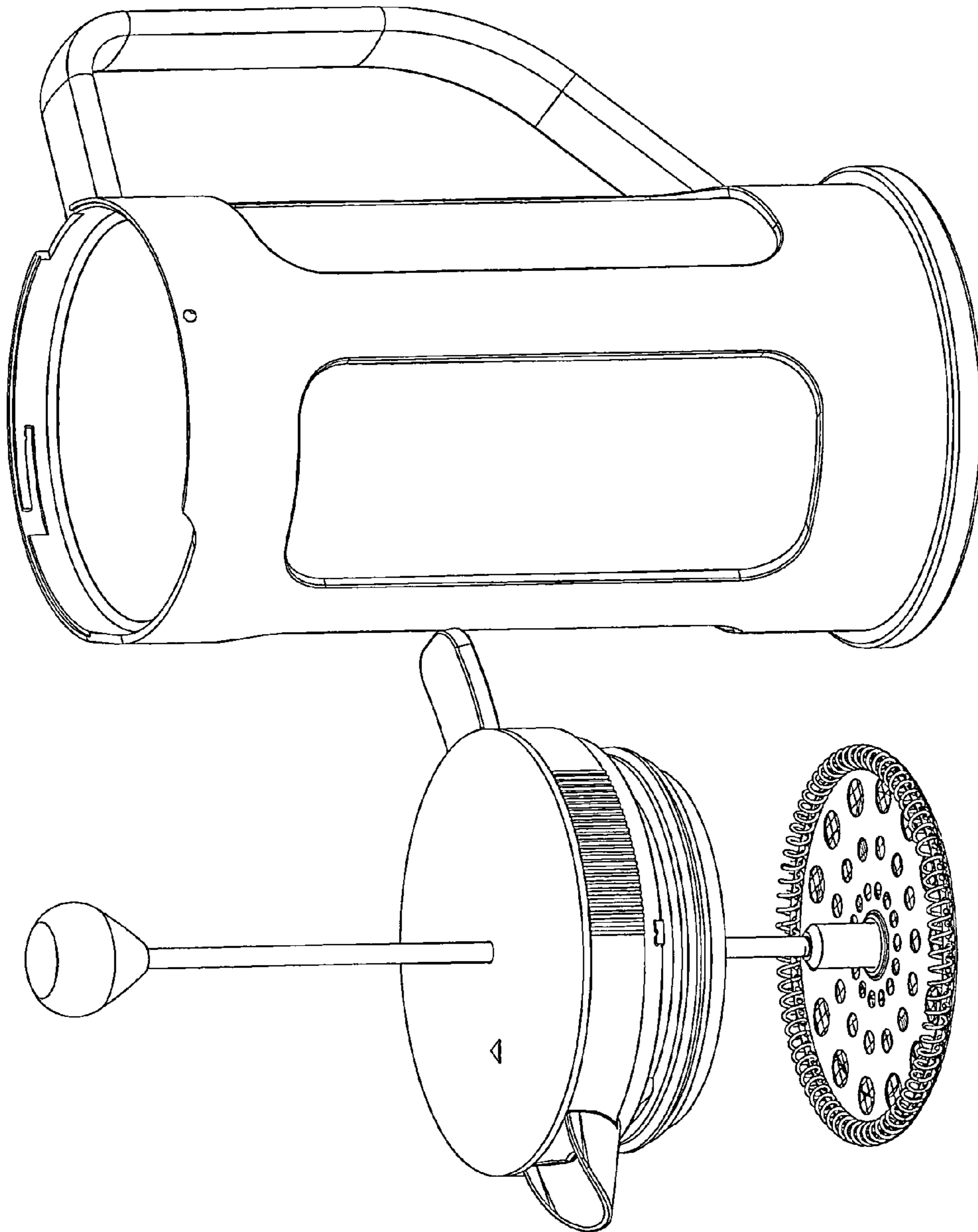


FIG. 12