



US00D718565S

(12) **United States Design Patent**
Spagnolo et al.

(10) **Patent No.:** **US D718,565 S**

(45) **Date of Patent:** **** Dec. 2, 2014**

(54) **COFFEE MACHINE**

(71) Applicants: **Alessandro Spagnolo**, Turin (IT); **Pino Spagnolo**, Turin (IT); **Alice Mathieu**, Verviers (BE); **Pierre Julemont**, Soumagne (BE)

(72) Inventors: **Alessandro Spagnolo**, Turin (IT); **Pino Spagnolo**, Turin (IT); **Alice Mathieu**, Verviers (BE); **Pierre Julemont**, Soumagne (BE)

(73) Assignee: **Conair Corporation**, Stamford, CT (US)

(**) Term: **14 Years**

(21) Appl. No.: **29/462,560**

(22) Filed: **Aug. 6, 2013**

(51) **LOC (10) Cl.** **07-01**

(52) **U.S. Cl.**
USPC **D7/309**; D7/310; D7/311

(58) **Field of Classification Search**
CPC A47J 31/44; A47J 31/42; A23F 5/26
USPC D7/306-311, 300; 99/305, 300, 293, 99/279, 290; D23/207, 209
See application file for complete search history.

(56) **References Cited**

U.S. PATENT DOCUMENTS

D453,655 S * 2/2002 Powell et al. D7/306
D596,441 S * 7/2009 Cahen D7/309

D602,303 S * 10/2009 Cahen D7/309
D610,389 S * 2/2010 Borin et al. D7/309
D644,058 S * 8/2011 Cahen D7/309
D649,392 S * 11/2011 Cahen D7/307
D666,051 S * 8/2012 de Pra D7/309
D666,451 S * 9/2012 Cheng D7/309
D667,251 S * 9/2012 Cahen D7/309
D674,231 S * 1/2013 Wilder et al. D7/306
D682,599 S * 5/2013 Bolzicco et al. D7/309
D695,054 S * 12/2013 De Pra D7/309
D695,560 S * 12/2013 Cahen D7/309
D707,791 S * 6/2014 Beghelli D23/207

* cited by examiner

Primary Examiner — Marianne Pandozzi

(74) *Attorney, Agent, or Firm* — McCormick, Paulding & Huber LLP

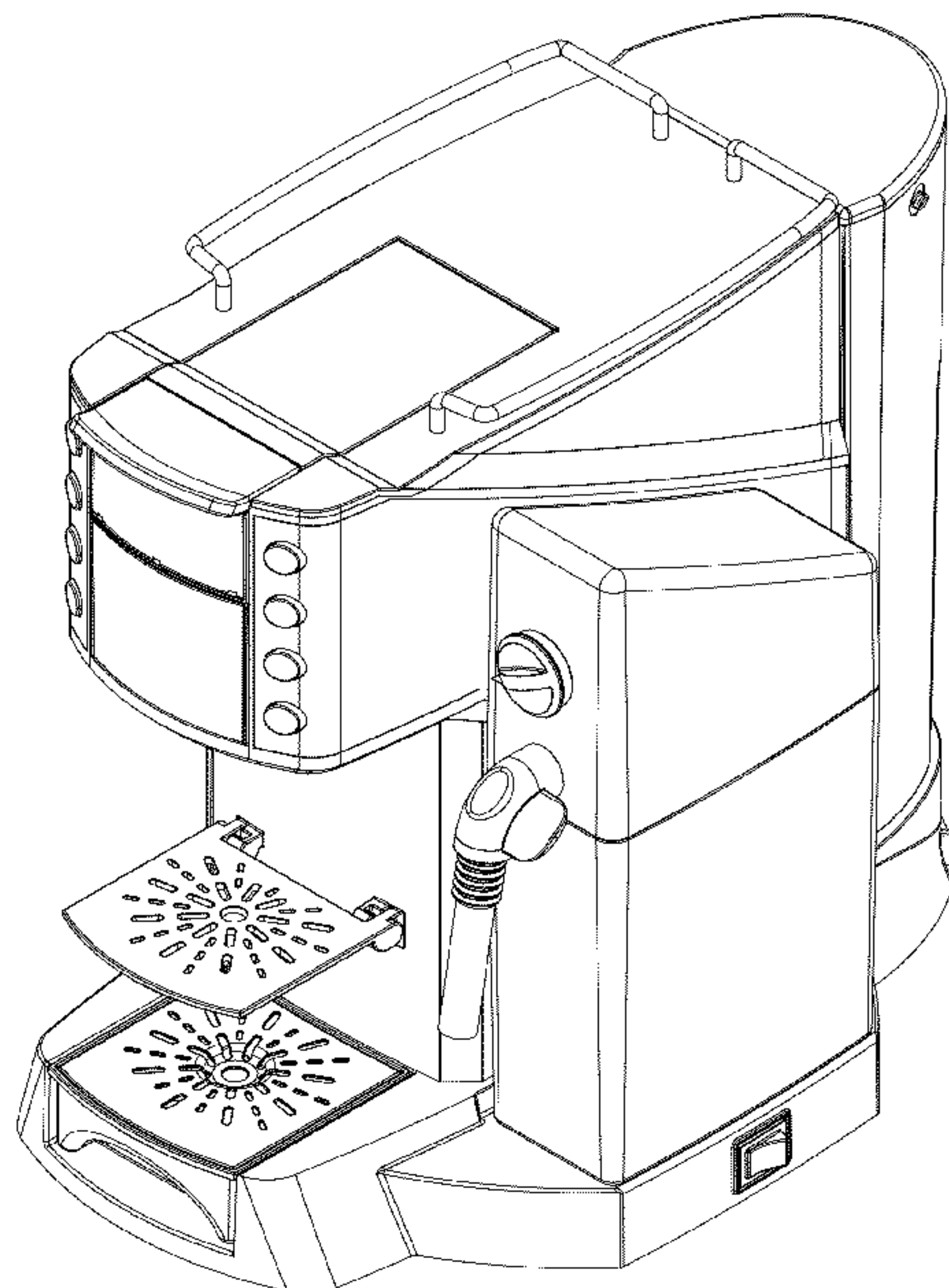
(57) **CLAIM**

The ornamental design for a coffee machine, as shown and described.

DESCRIPTION

FIG. 1 is a perspective view of a coffee machine showing a new design;
FIG. 2 is a front elevational view thereof;
FIG. 3 is a right side elevational view thereof;
FIG. 4 is a left side elevational view thereof;
FIG. 5 is a top plan view thereof;
FIG. 6 is a bottom plan view thereof; and,
FIG. 7 is a rear elevational view thereof.
The broken lines are for illustrative purposes only and form no part of the claimed design.

1 Claim, 7 Drawing Sheets



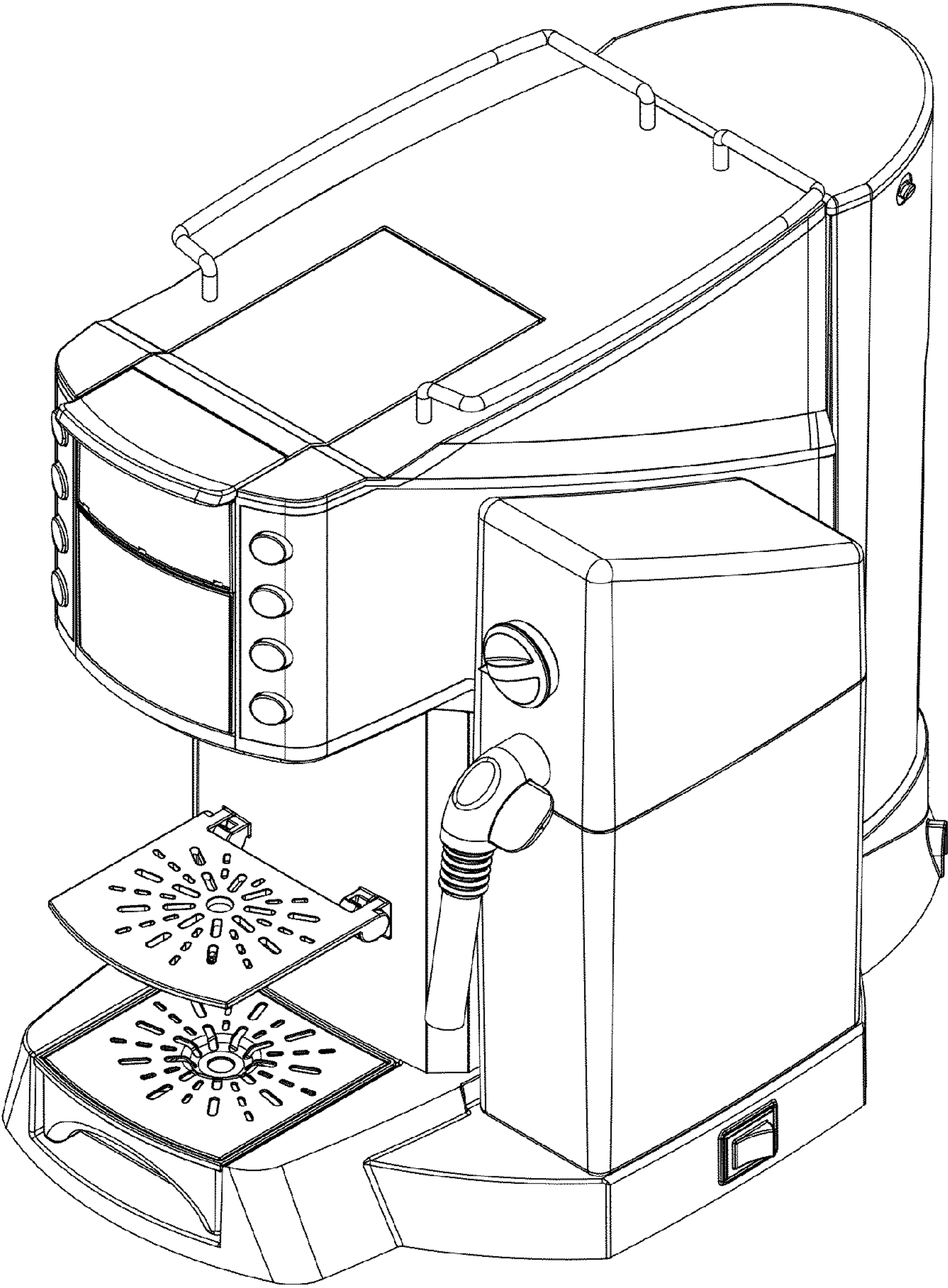


FIG. 1

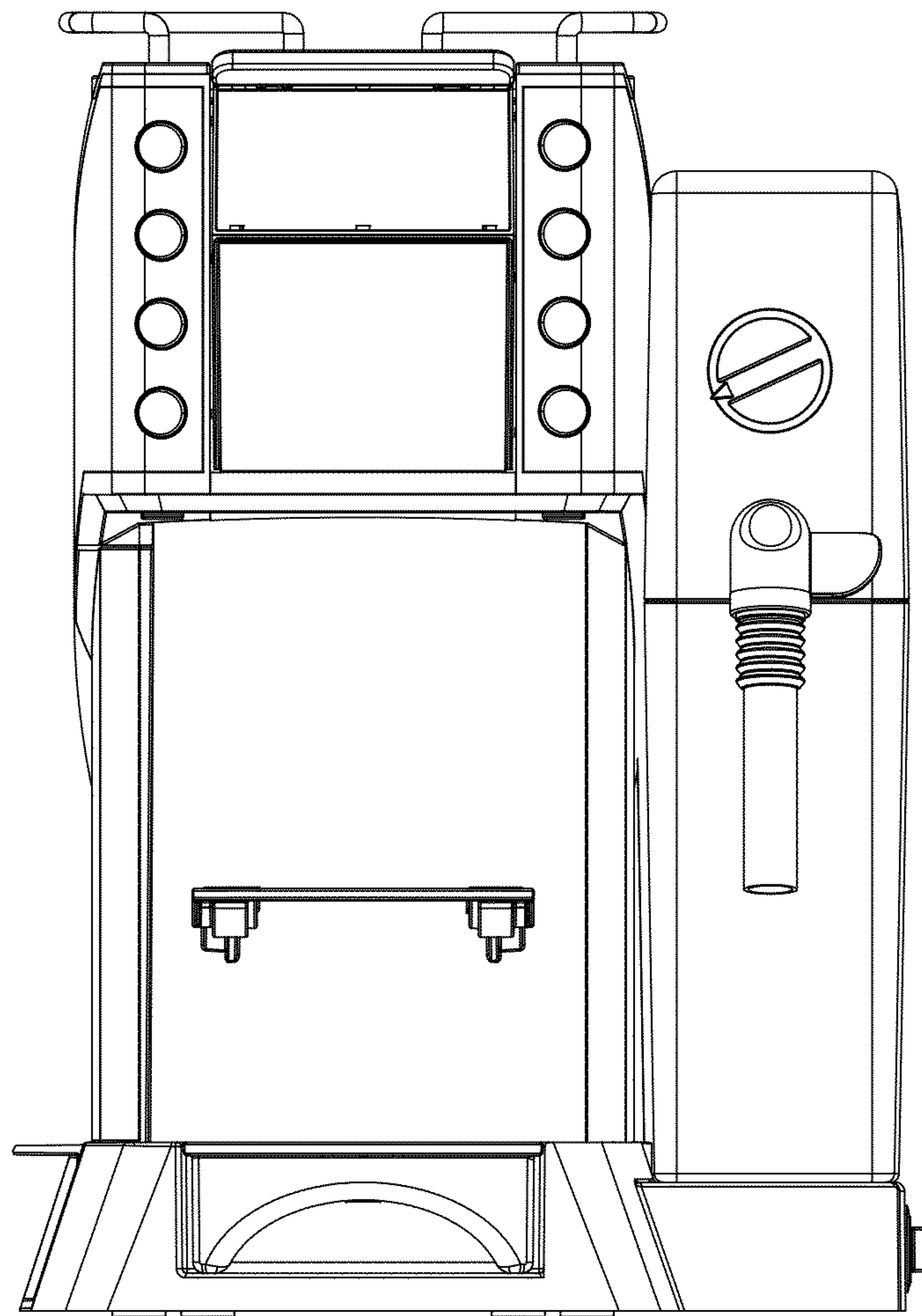


FIG. 2

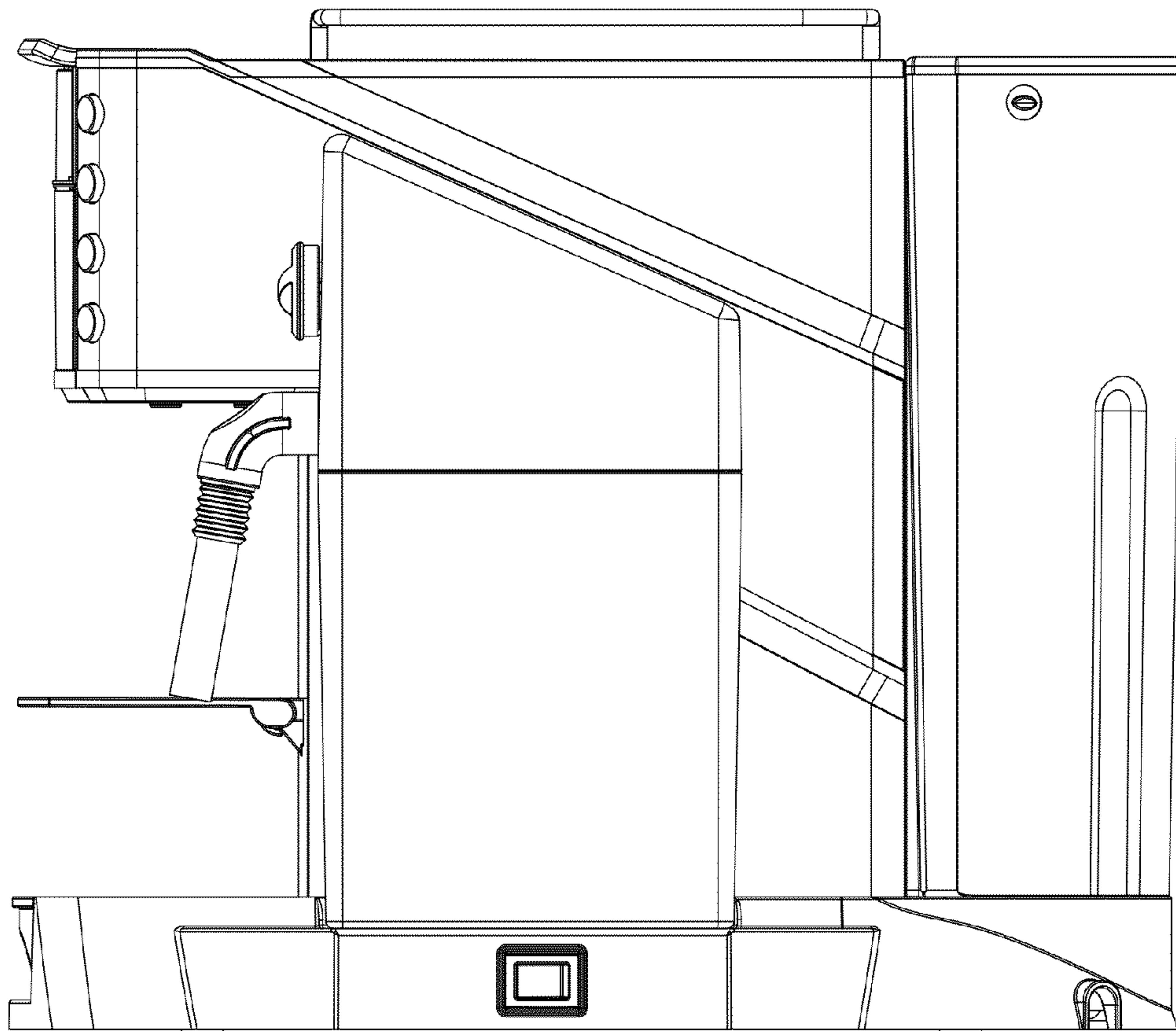


FIG. 3

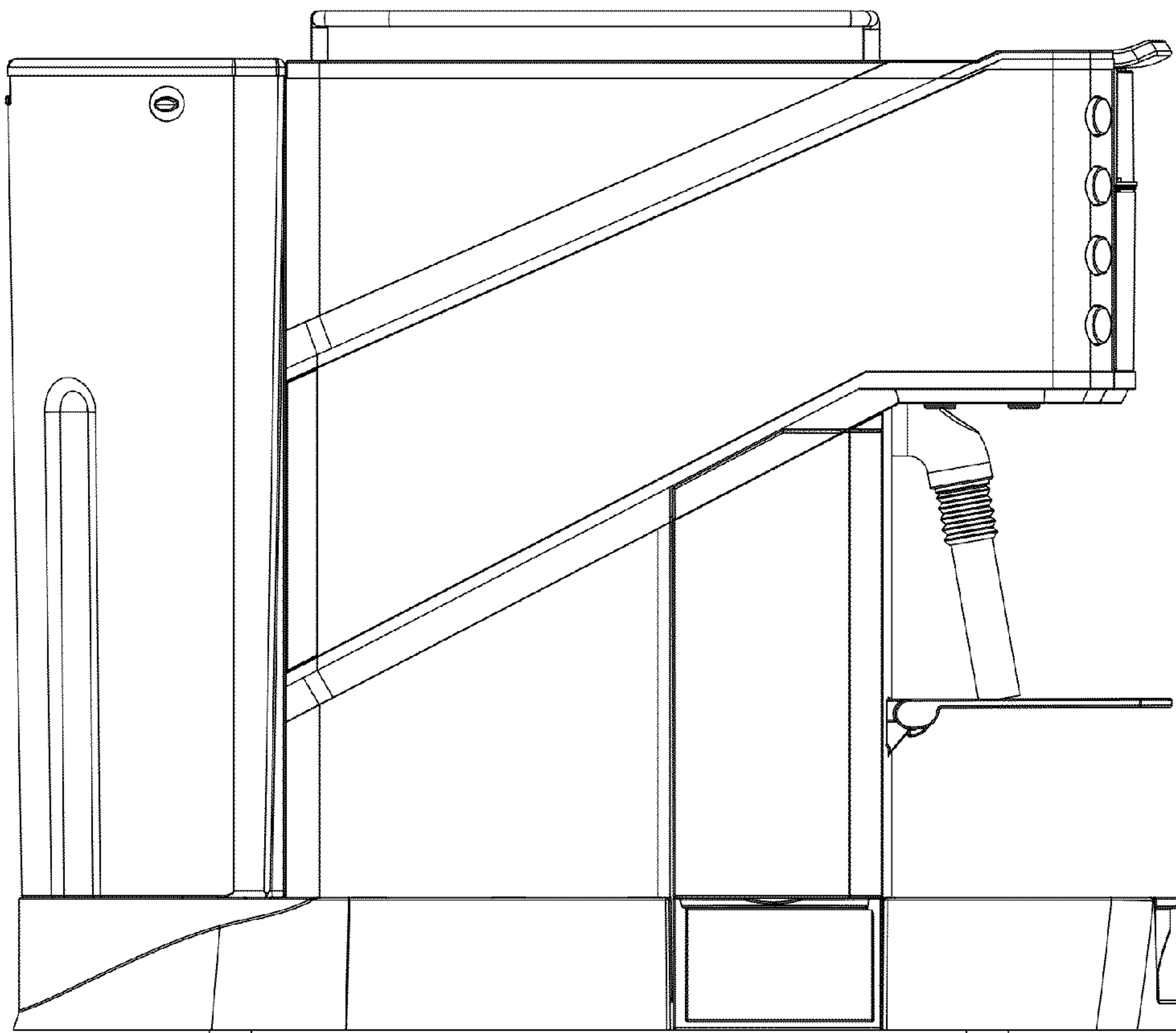


FIG. 4

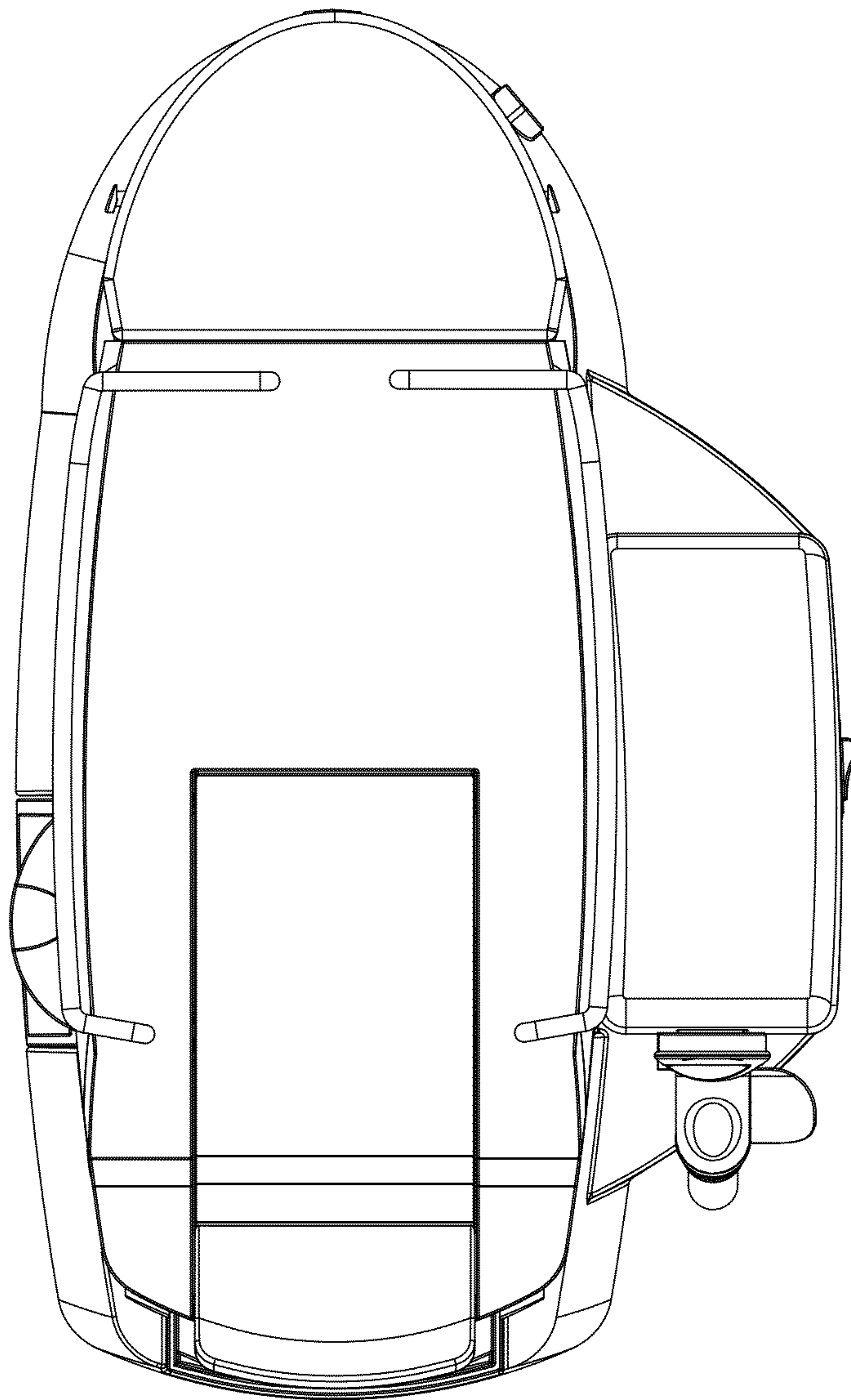


FIG. 5

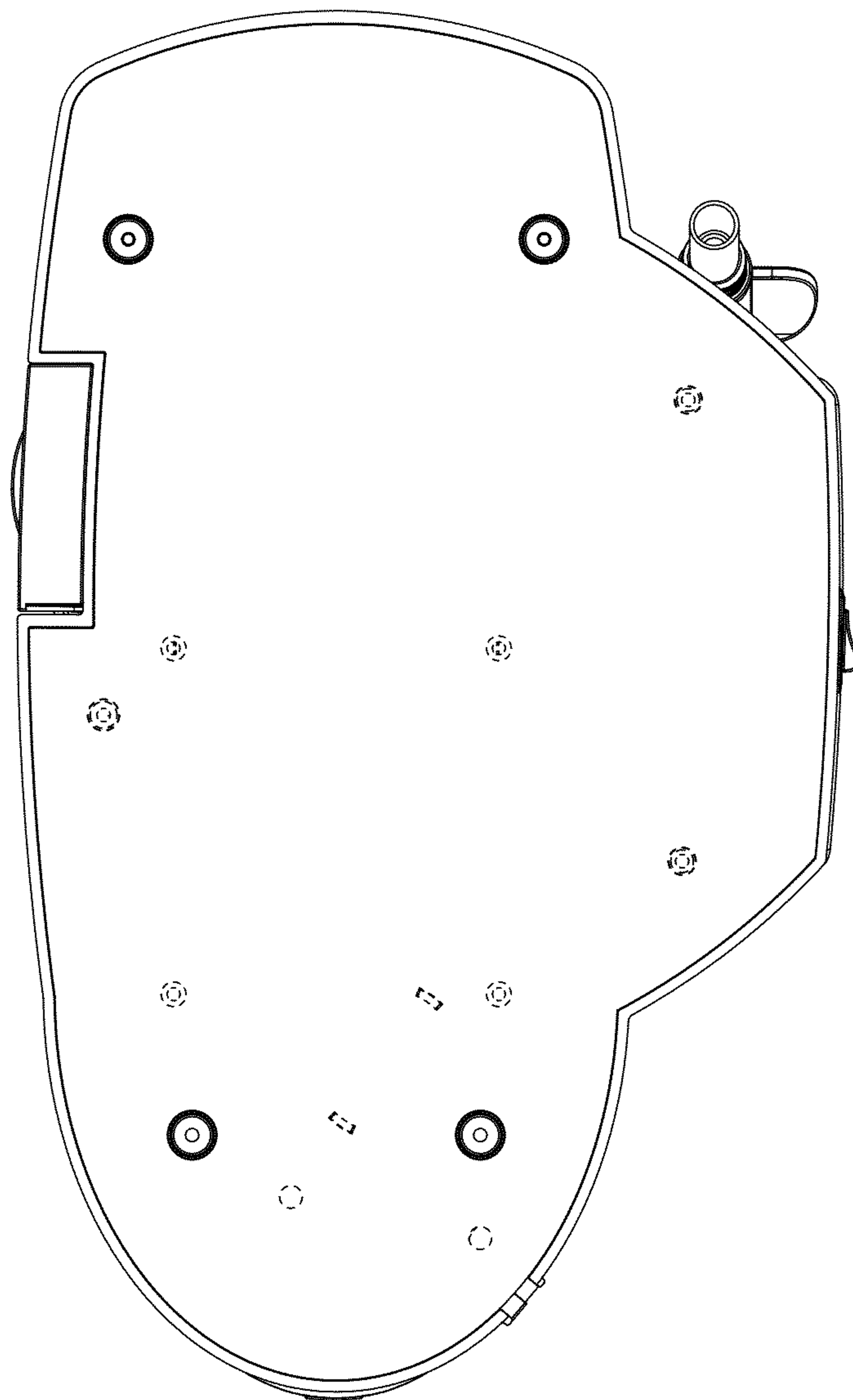


FIG. 6

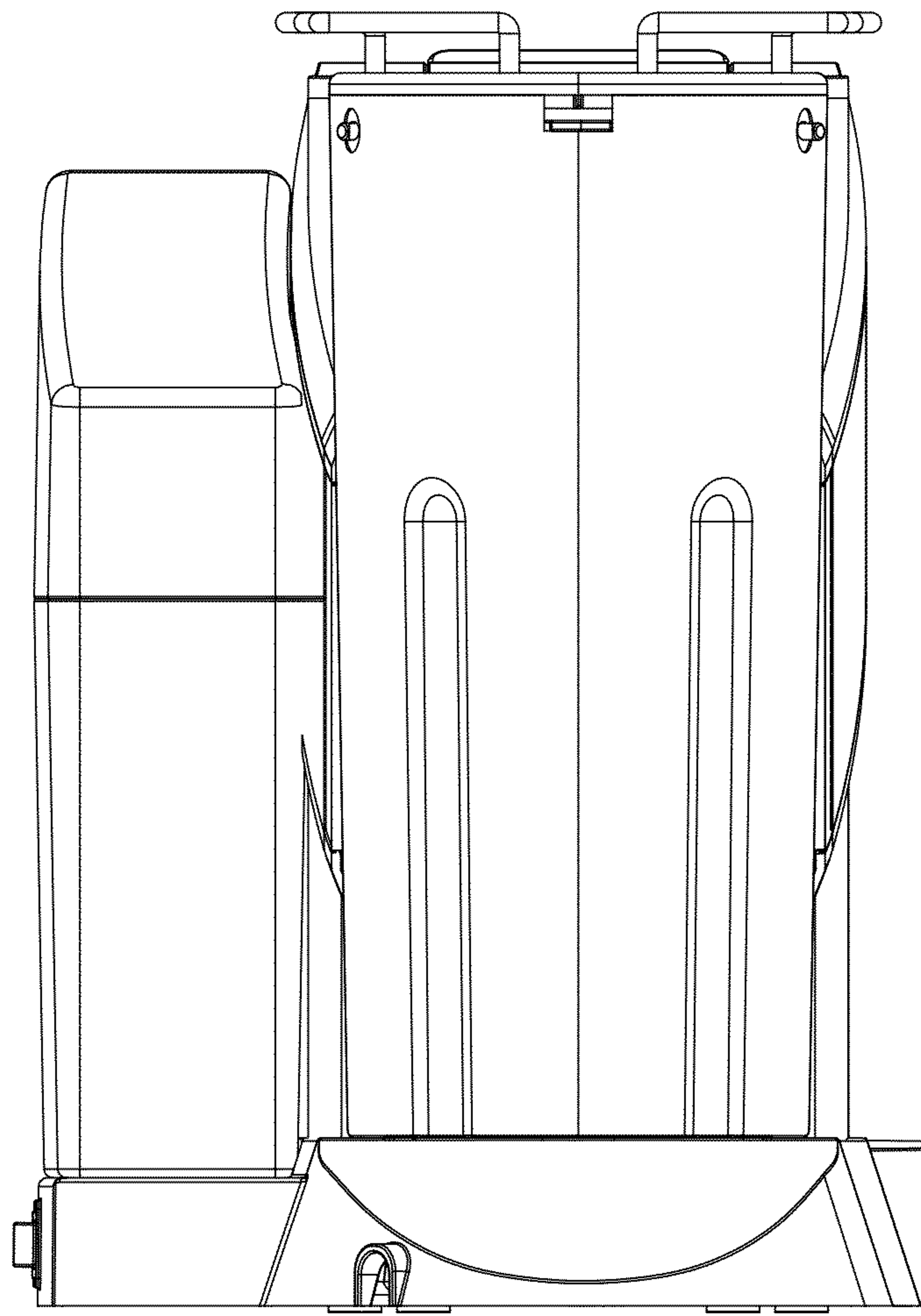


FIG. 7

UNITED STATES PATENT AND TRADEMARK OFFICE
CERTIFICATE OF CORRECTION

PATENT NO. : D718,565 S
APPLICATION NO. : 29/462560
DATED : December 2, 2014
INVENTOR(S) : Alessandro Spagnolo et al.

Page 1 of 1

It is certified that error appears in the above-identified patent and that said Letters Patent is hereby corrected as shown below:

Title Page

Item 71, both occurrences of the word "Turin" should be "Torino".

Item 72, both occurrences of the word "Turin" should be "Torino".

Signed and Sealed this
Third Day of March, 2015



Michelle K. Lee
Deputy Director of the United States Patent and Trademark Office