



US00D718563S

(12) **United States Design Patent**  
**Deman**

(10) **Patent No.:** **US D718,563 S**  
(45) **Date of Patent:** **\*\* Dec. 2, 2014**

(54) **COFFEE MACHINE WITH FILTER AND MILK FOAMING**

(71) Applicant: **SEB S.A.**, Ecully (FR)

(72) Inventor: **Pierre Deman**, Lyons (FR)

(73) Assignee: **SEB S.A.**, Ecully (FR)

(\*\*) Term: **14 Years**

(21) Appl. No.: **29/448,180**

(22) Filed: **Mar. 11, 2013**

(30) **Foreign Application Priority Data**

Sep. 11, 2012 (EM) ..... 001343107-0001

(51) **LOC (10) Cl.** ..... **07-01**

(52) **U.S. Cl.**  
USPC ..... **D7/305; D7/309; D7/310; D7/311**

(58) **Field of Classification Search**  
CPC ..... B67D 3/00  
USPC ..... D7/309-311, 306-308, 300, 397, 305;  
99/293, 323.1, 279, 289 R, 291;  
D6/544; 222/105, 185.1  
See application file for complete search history.

(56) **References Cited**

**U.S. PATENT DOCUMENTS**

D300,295 S *	3/1989	Cortese	.....	D7/305
D318,973 S *	8/1991	Hasslacher	.....	D7/308
D337,915 S *	8/1993	Kahlcke	.....	D7/308
D356,466 S *	3/1995	Classen	.....	D7/309
D373,501 S *	9/1996	Han	.....	D7/309

D382,437 S *	8/1997	Amiel	.....	D7/309
5,829,340 A *	11/1998	Yang	.....	99/290
7,089,849 B2 *	8/2006	Chen et al.	.....	99/290
D552,402 S *	10/2007	Schwamkrug	.....	D7/309
D562,052 S *	2/2008	De Pra'	.....	D7/309
7,565,860 B1 *	7/2009	Liu	.....	99/291
7,942,094 B2 *	5/2011	Kounlavong et al.	.....	99/486
8,042,454 B2 *	10/2011	De'Longhi	.....	99/289 R
D690,150 S *	9/2013	Cahen	.....	D7/309
D703,989 S *	5/2014	Garman	.....	D7/305
2008/0000357 A1 *	1/2008	Yang et al.	.....	99/279

\* cited by examiner

*Primary Examiner* — Marianne Pandozzi

(74) *Attorney, Agent, or Firm* — Loeb & Loeb LLP

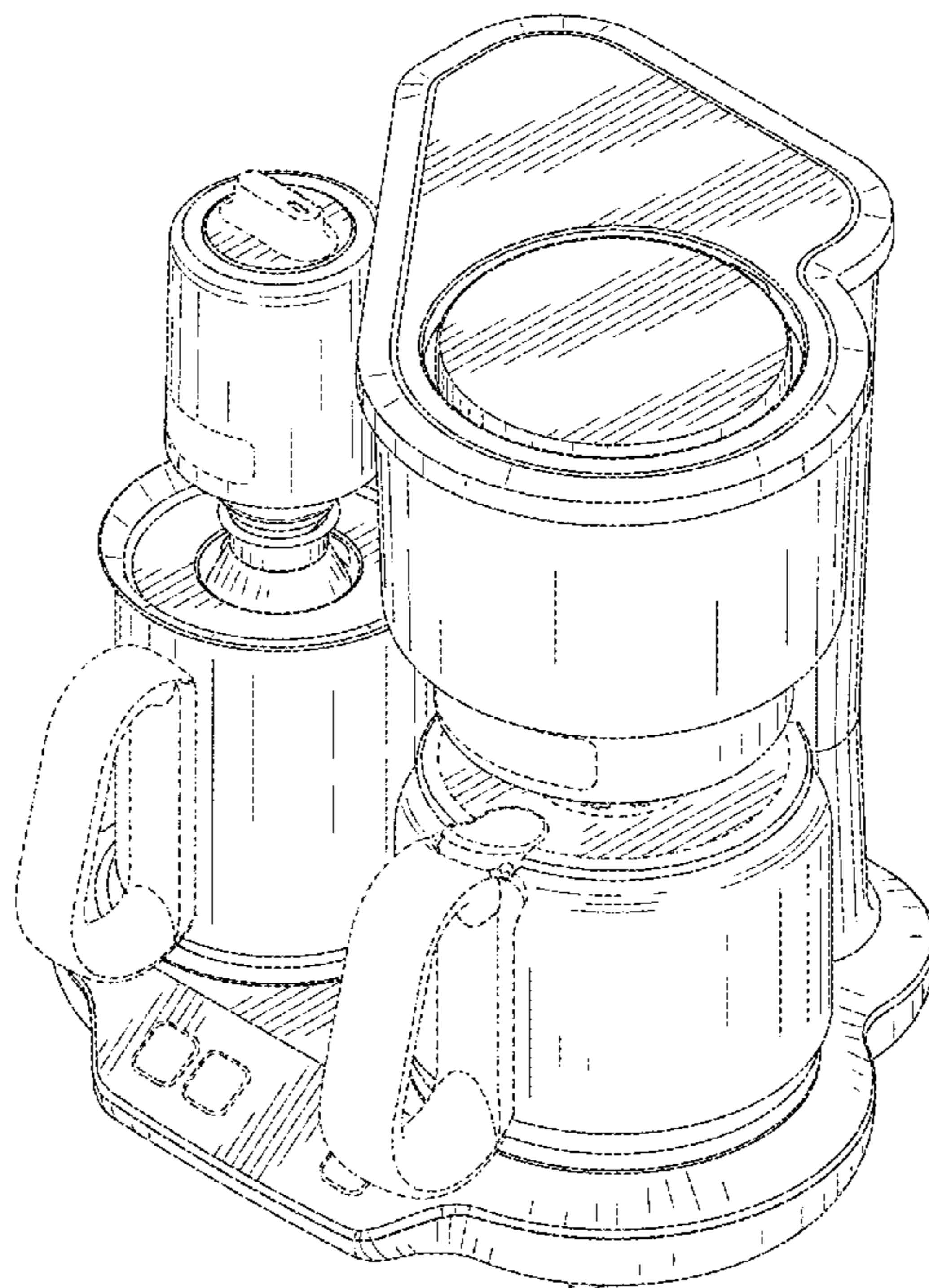
(57) **CLAIM**

The ornamental design for a coffee machine with filter and milk foaming, as shown and described.

**DESCRIPTION**

FIG. 1 is a perspective view of a coffee machine with filter and milk foaming showing my new design;  
 FIG. 2 is a right side elevational view of the coffee maker of FIG. 1.  
 FIG. 3 is a left side elevational view of the coffee maker of FIG. 1.  
 FIG. 4 is a front elevational view of the coffee maker of FIG. 1.  
 FIG. 5 is a back elevational view of the coffee maker of FIG. 1.  
 FIG. 6 is top plan view of the coffee maker of FIG. 1; and,  
 FIG. 7 is a bottom plan view of the coffee maker of FIG. 1.  
 The broken lines appearing in the figures represent the environmental structure and form no part of the claimed design.

**1 Claim, 7 Drawing Sheets**



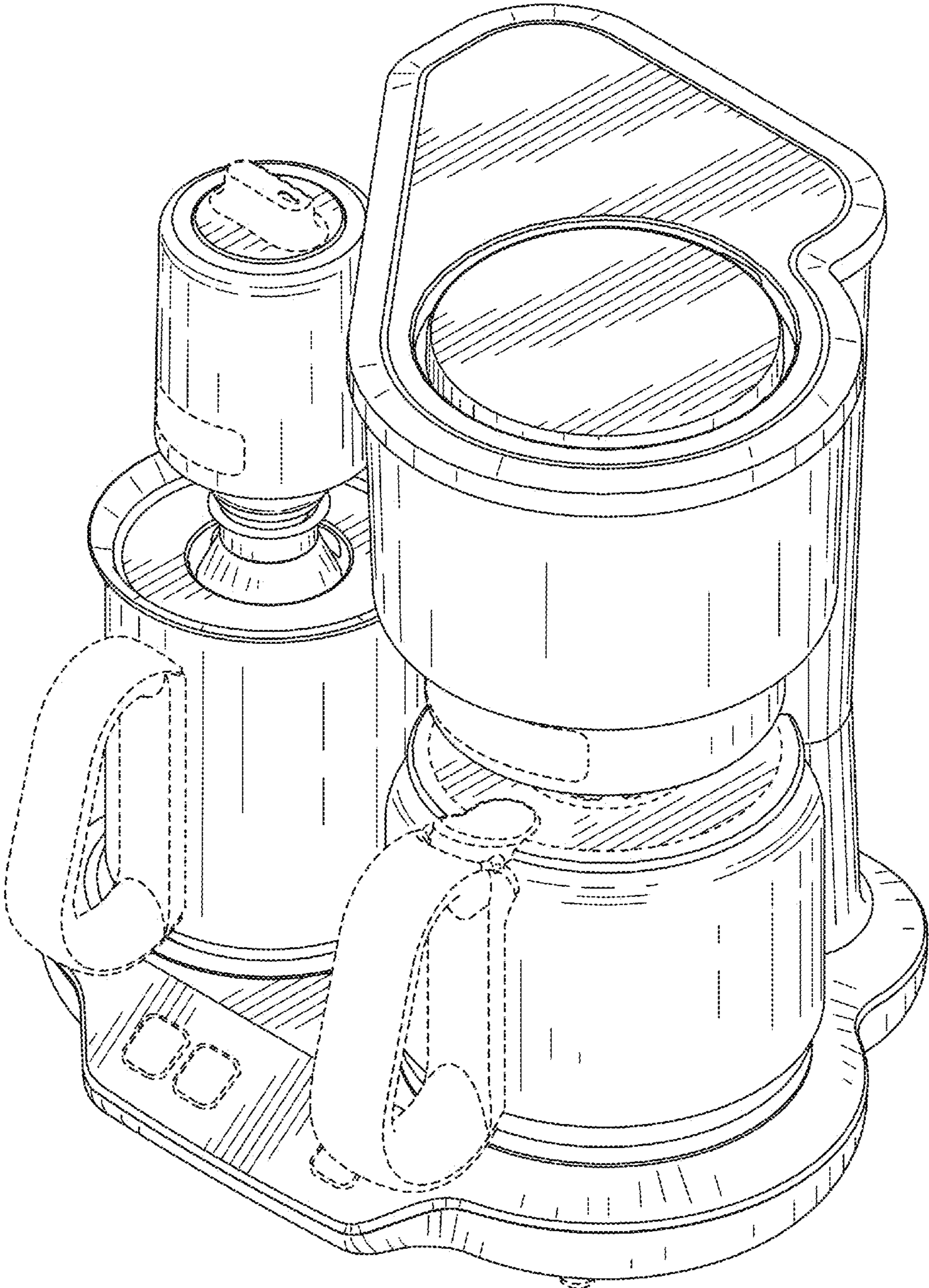


FIG. 1

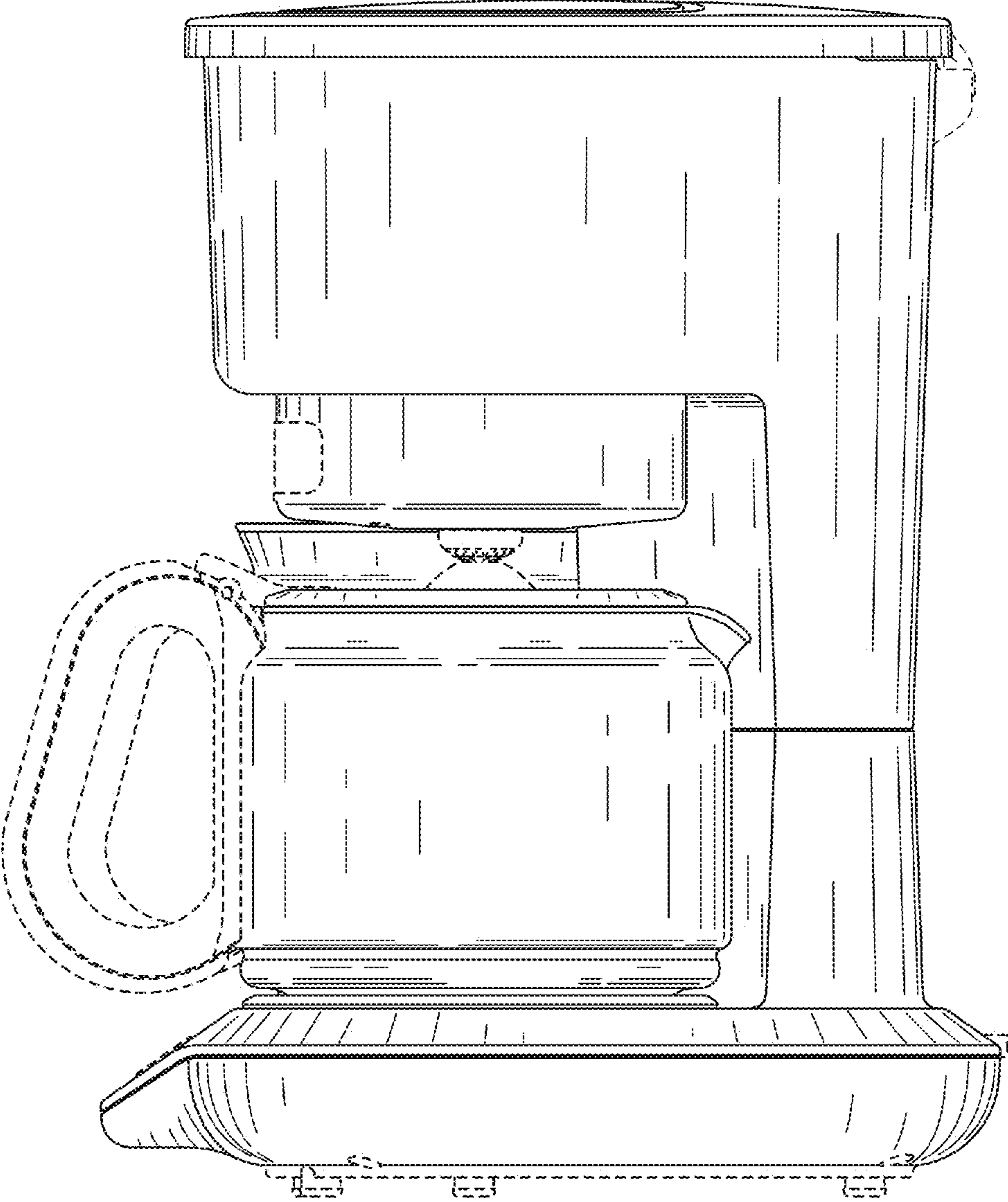


FIG. 2



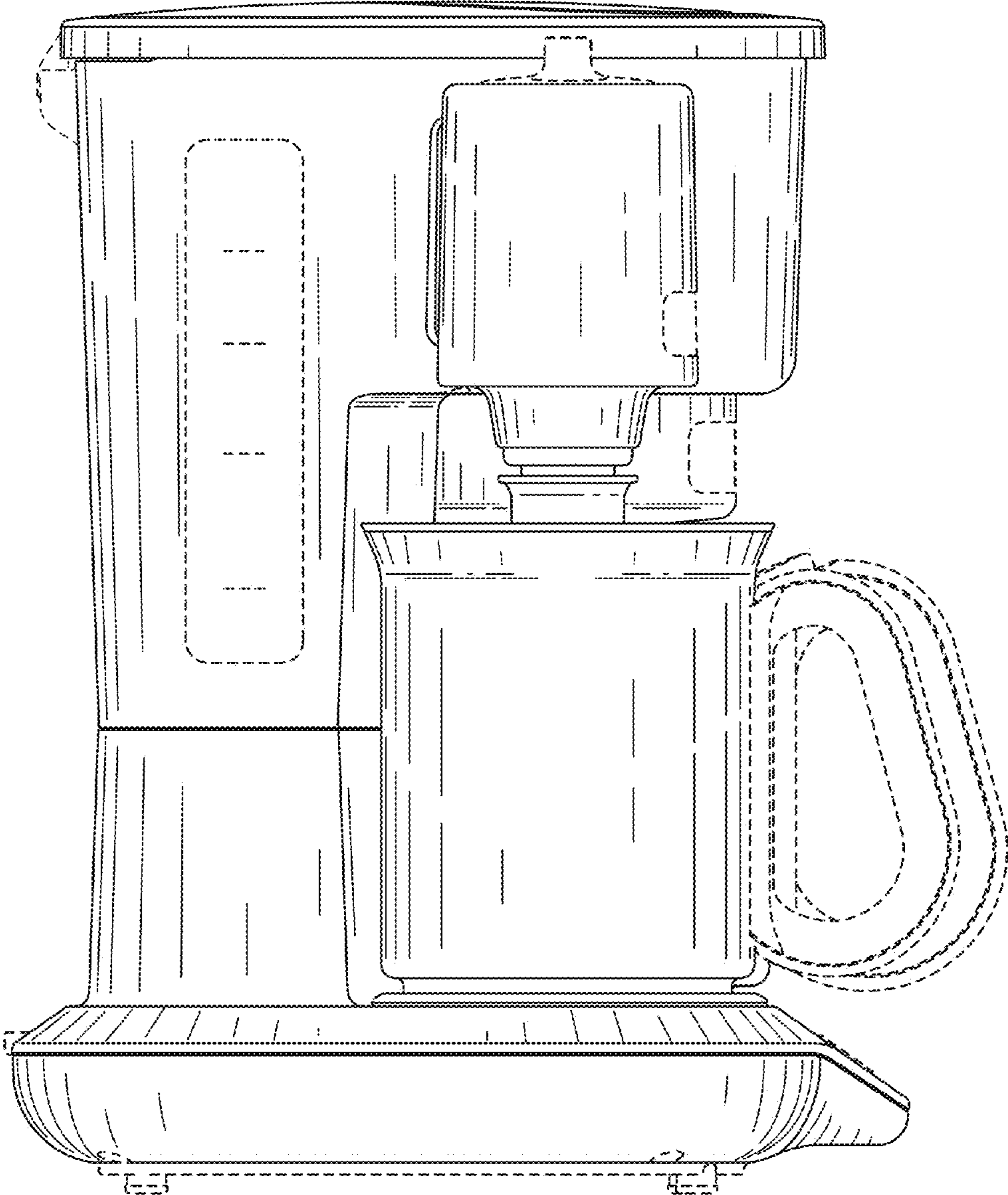


FIG. 3

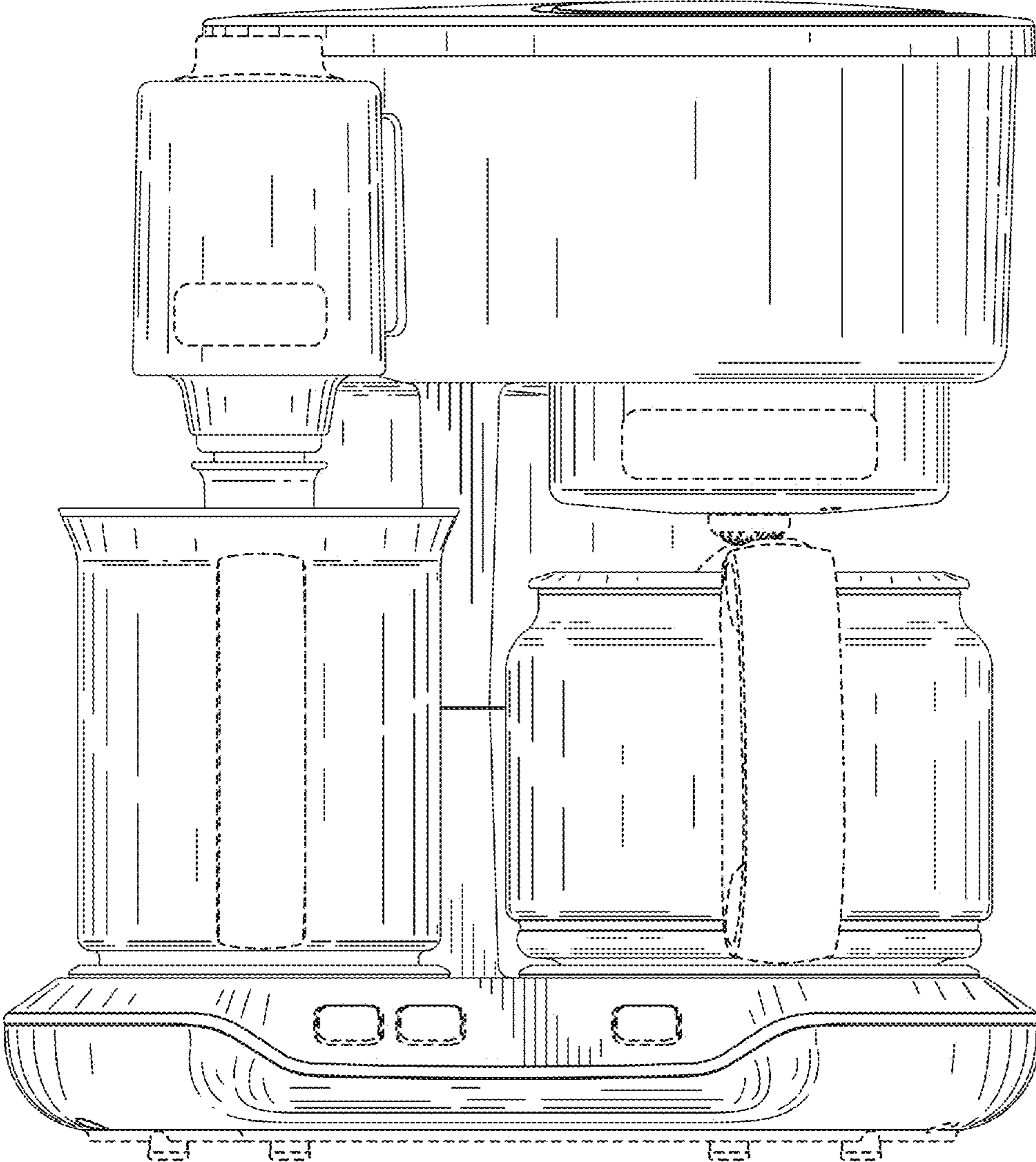


FIG. 4

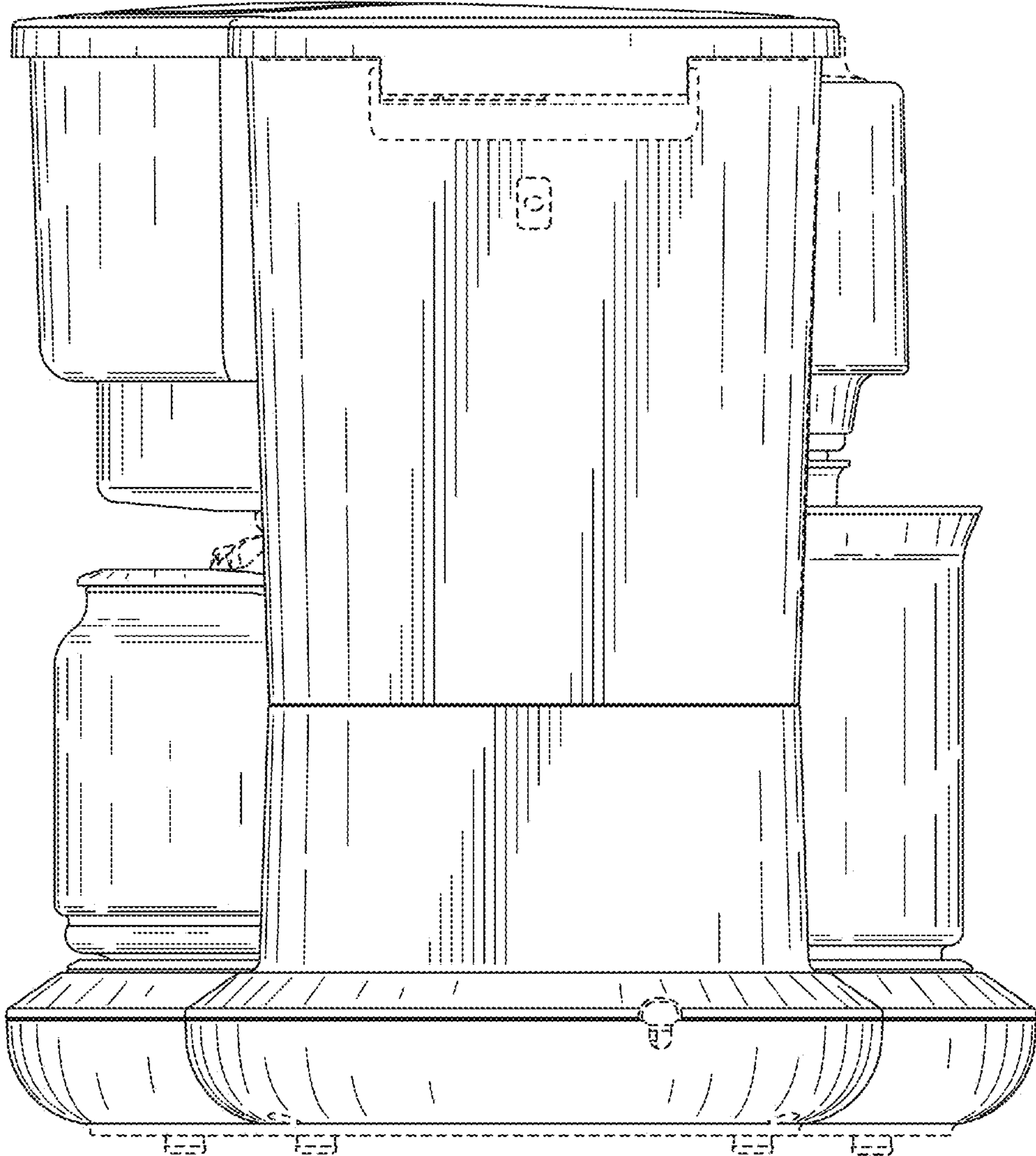


FIG. 5

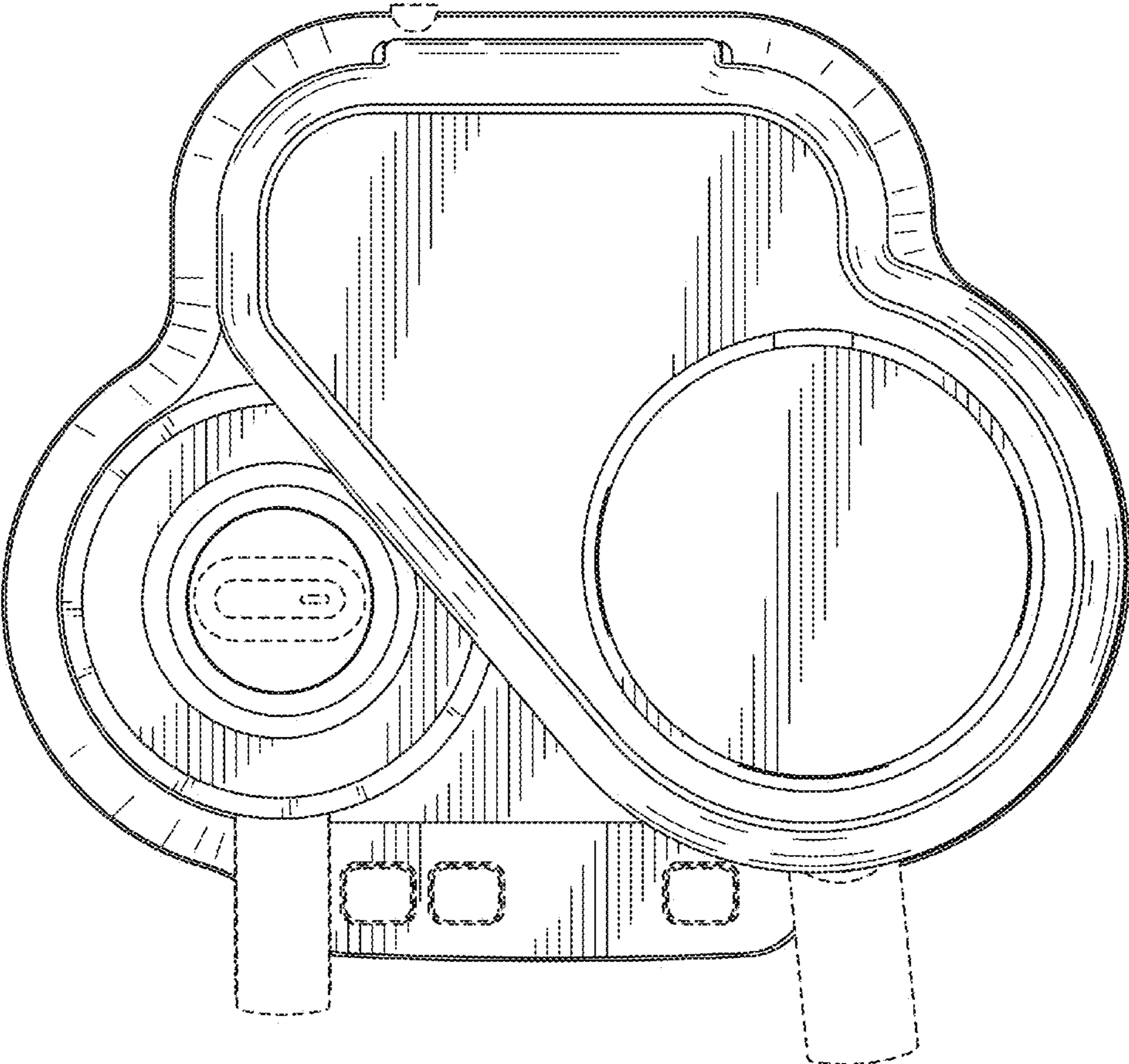


FIG. 6



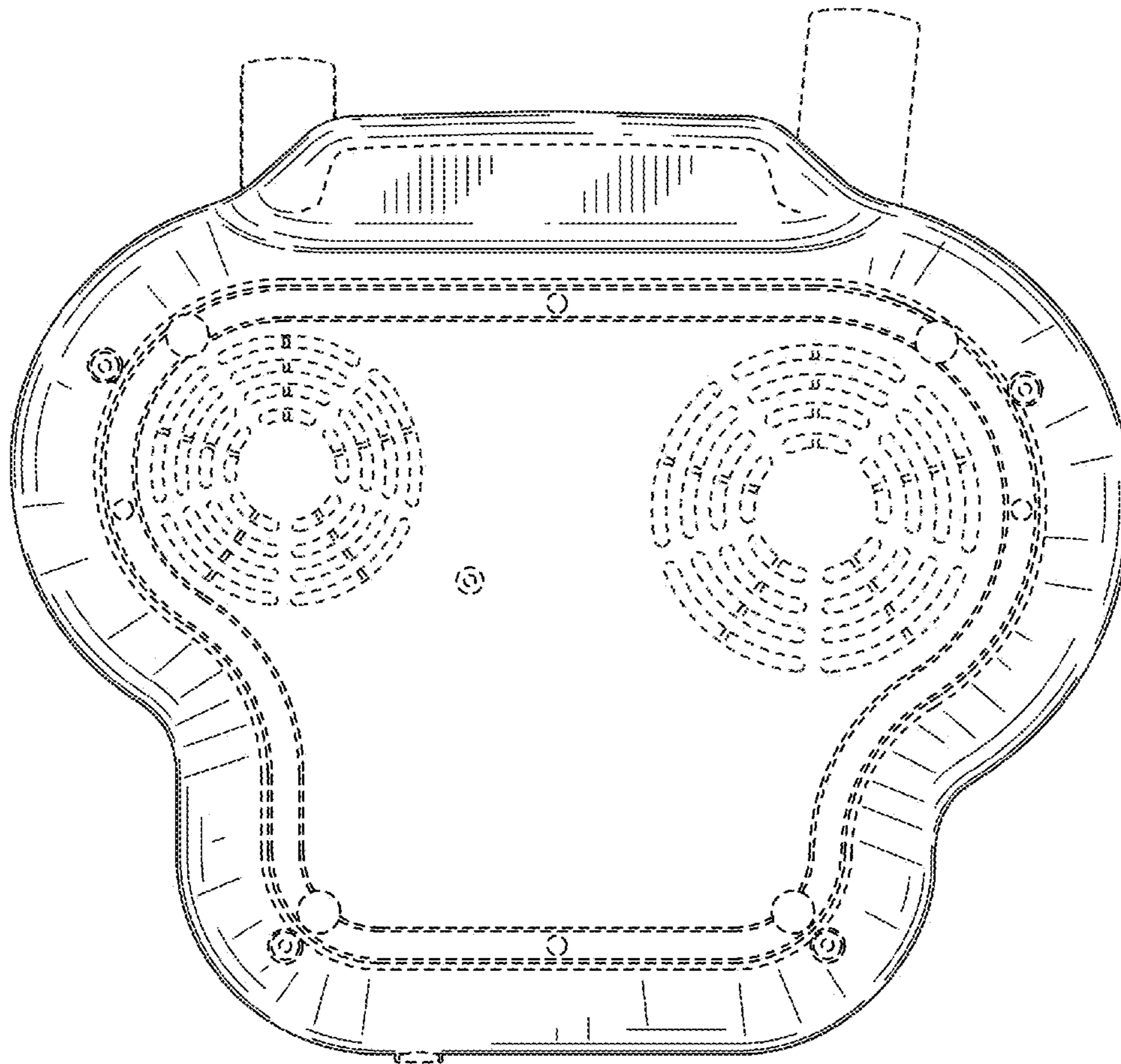


FIG. 7