



US00D718562S

(12) **United States Design Patent**  
**Menne, III**

(10) **Patent No.:** **US D718,562 S**  
(45) **Date of Patent:** **\*\* Dec. 2, 2014**

(54) **ROTOMOLDED SEAT BACK**  
(71) Applicant: **Premier Plastics**, Hoyt Lake, MN (US)  
(72) Inventor: **Robert J. Menne, III**, Virginia, MN (US)  
(73) Assignee: **Premier Plastics, Inc.**, Hoyt Lakes, MN (US)

(\*\*) Term: **14 Years**

(21) Appl. No.: **29/451,633**

(22) Filed: **Apr. 5, 2013**

(51) **LOC (10) Cl.** ..... **06-01**

(52) **U.S. Cl.**  
USPC ..... **D6/716.4**

(58) **Field of Classification Search**  
USPC ..... D6/333-336, 342-356, 360-381, 388, D6/403, 491-502, 692, 708, 708.21, 716, D6/716.2-716.4; 297/188.04, 217.3, 238, 297/257, 271.6, 284.4-284.5, 291, 297, 297/302.4, 353, 344.1, 354.1, 354.12, 297/362.13, 396, 411.2, 411.27-411.32, 297/411.43, 423.1, 423.12, 440.11, 440.15, 297/440.21-440.24, 448.1, 451.4, 452.13, 297/452.18, 452.21, 452.27, 452.29, 452.3, 297/452.41, 452.56, 452.64, 484  
See application file for complete search history.

(56) **References Cited**

**U.S. PATENT DOCUMENTS**

D315,255 S \* 3/1991 Beermann ..... D6/356  
D504,579 S \* 5/2005 Beermann et al. .... D6/356

D506,084 S \* 6/2005 Beermann et al. .... D6/356  
D536,185 S \* 2/2007 Ritzel ..... D6/356  
D562,576 S \* 2/2008 Ritzel et al. .... D6/356  
D574,619 S \* 8/2008 Maezono ..... D6/356  
D576,413 S \* 9/2008 Arnaout ..... D6/356  
D655,097 S \* 3/2012 Paetzel ..... D6/356  
D656,751 S \* 4/2012 Levorato et al. .... D6/356  
D657,579 S \* 4/2012 Klein ..... D6/356  
D665,181 S \* 8/2012 Crepeau ..... D6/356  
D694,031 S \* 11/2013 Ritzel ..... D6/356  
2008/0088168 A1 \* 4/2008 Beermann et al. .... 297/354.12

**OTHER PUBLICATIONS**

Examiner's Report from corresponding Canadian Design Patent Application No. 153000, dated Mar. 27, 2014.

\* cited by examiner

*Primary Examiner* — Ricky Pham  
(74) *Attorney, Agent, or Firm* — Westman, Champlin & Koehler, P.A.

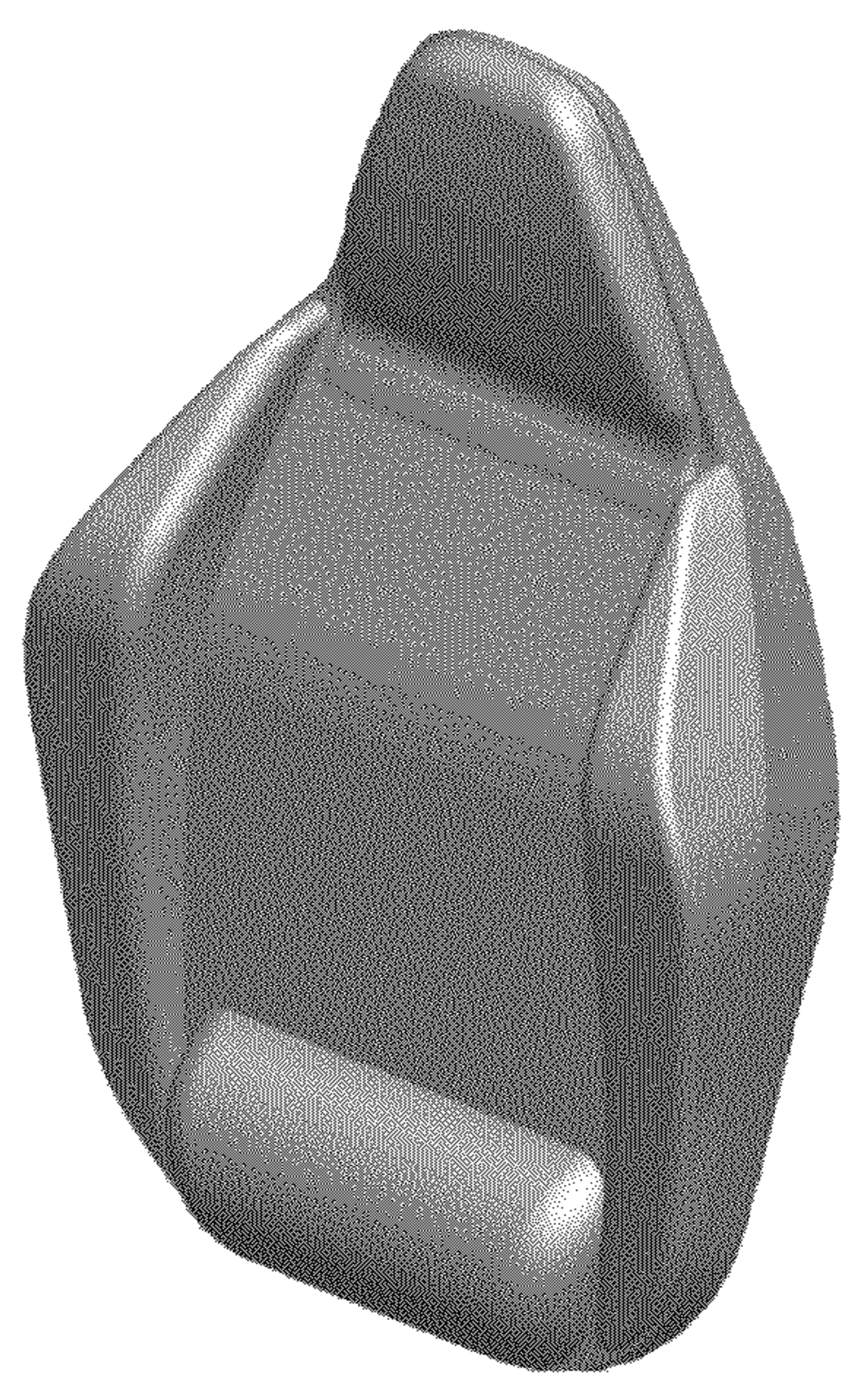
(57) **CLAIM**

The ornamental design for a rotomolded seat back, as shown and described.

**DESCRIPTION**

FIG. 1 is a front elevation view.  
FIG. 2 is a left elevation view.  
FIG. 3 is a right elevation view.  
FIG. 4 is a top plan view.  
FIG. 5 is a bottom plan view.  
FIG. 6 is a rear elevation view; and,  
FIG. 7 is a perspective view.

**1 Claim, 7 Drawing Sheets**



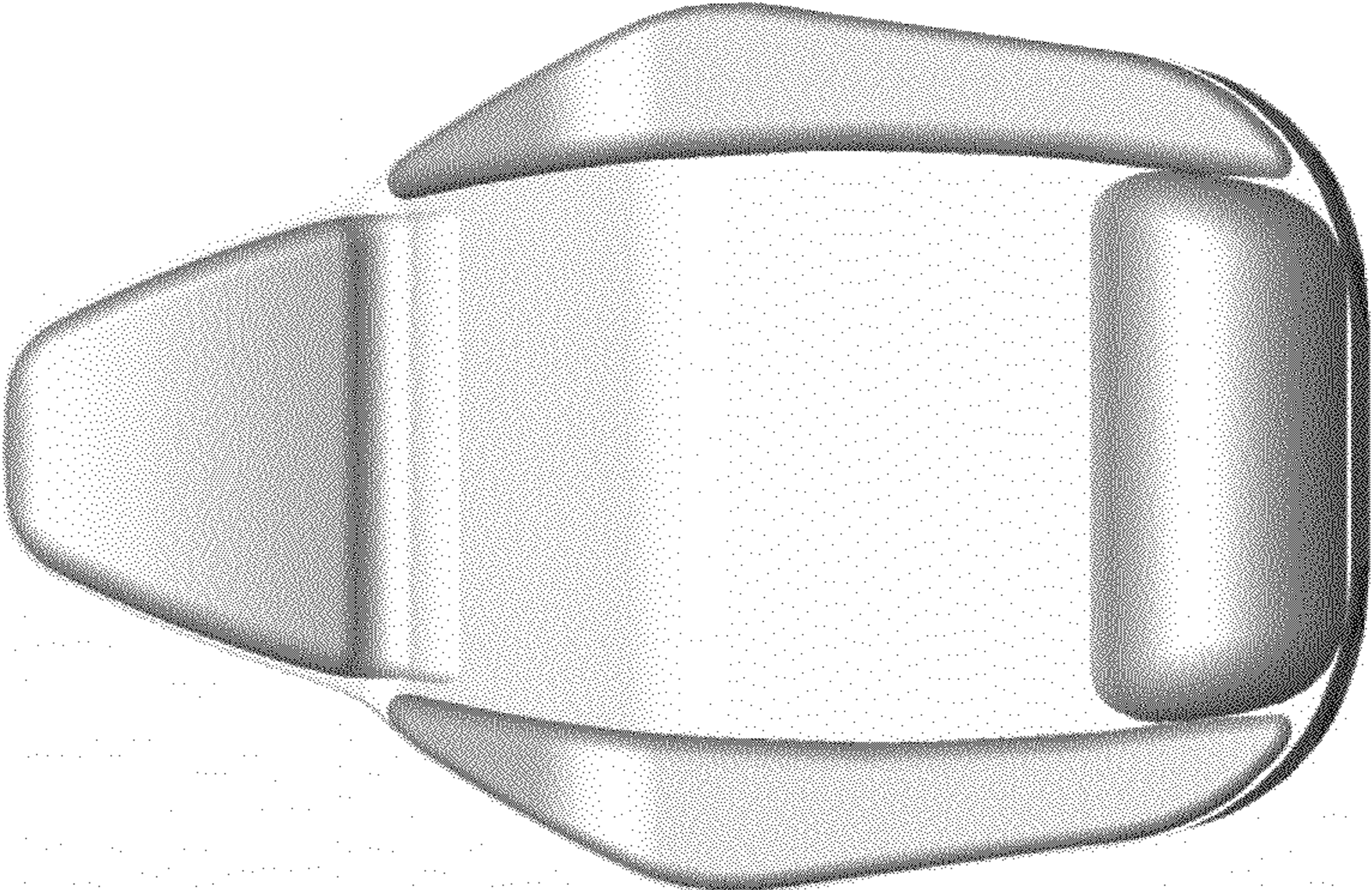


FIG 1

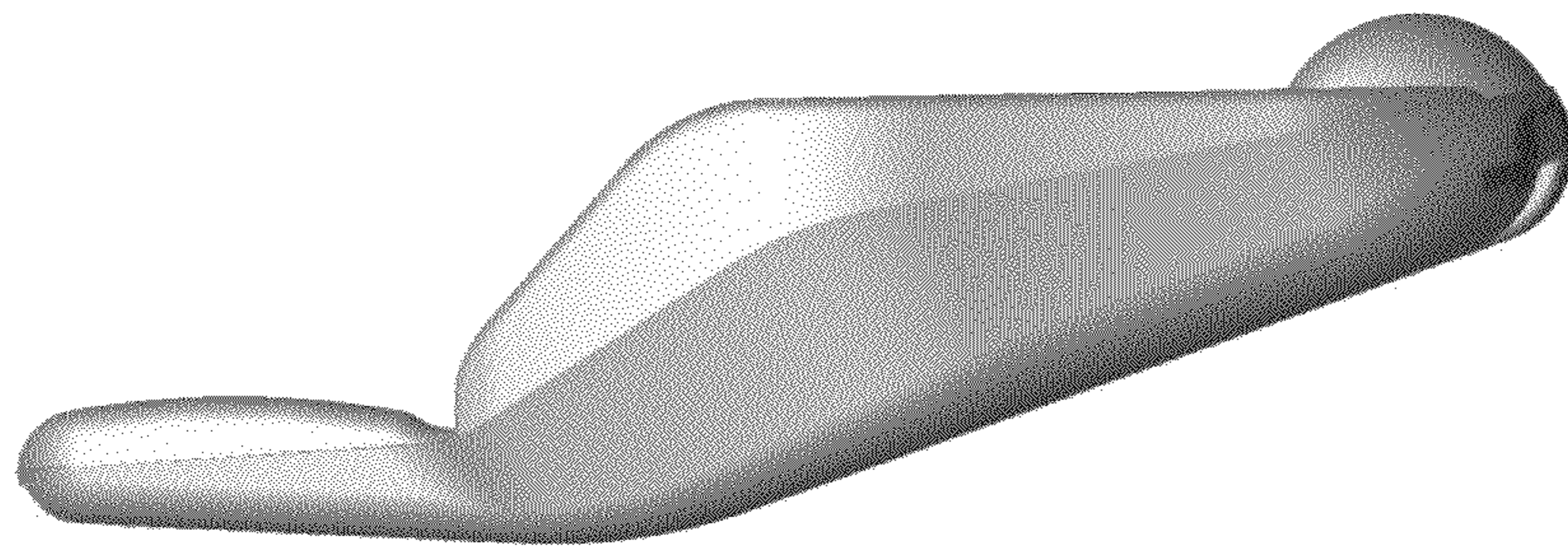


FIG. 2

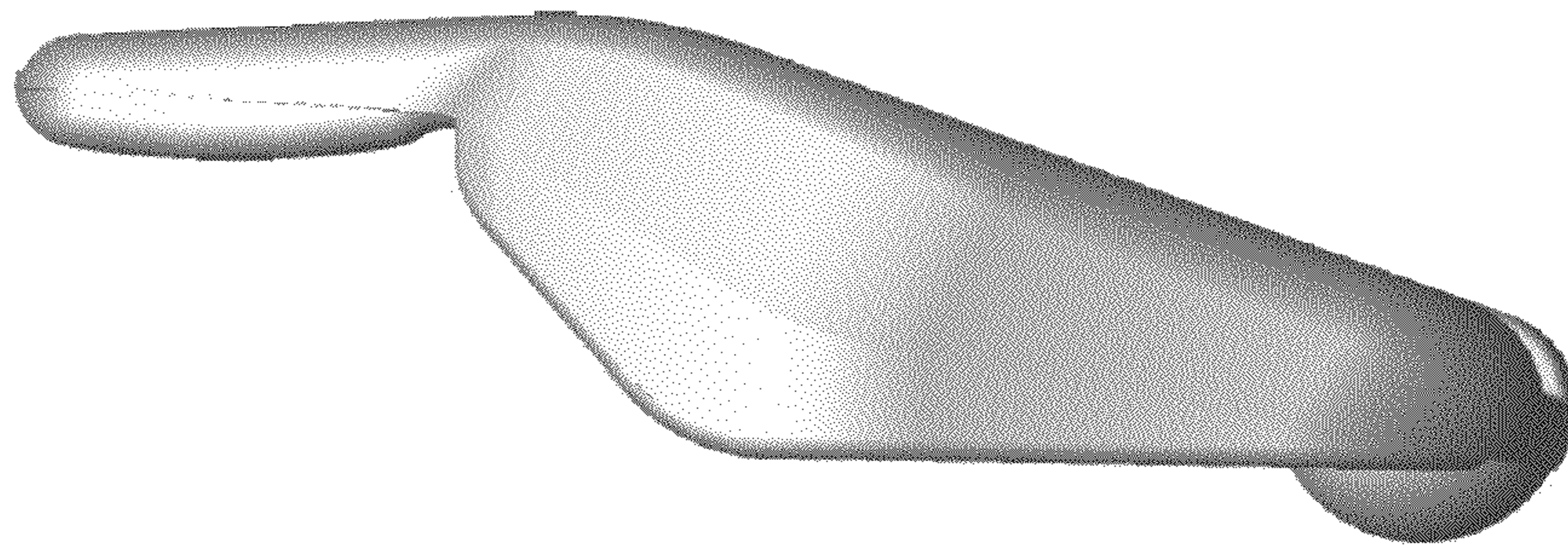


FIG. 3

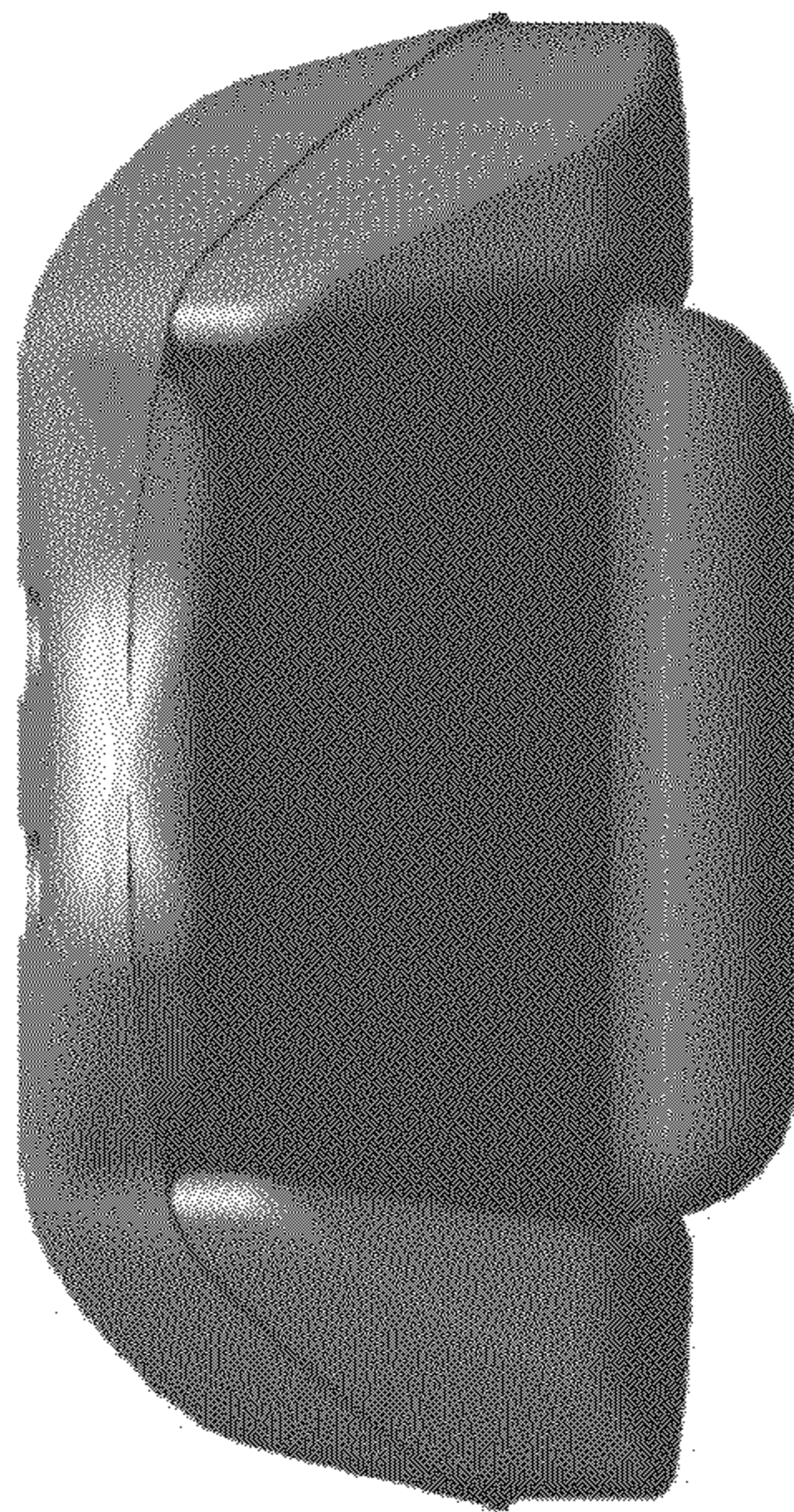


FIG. 4

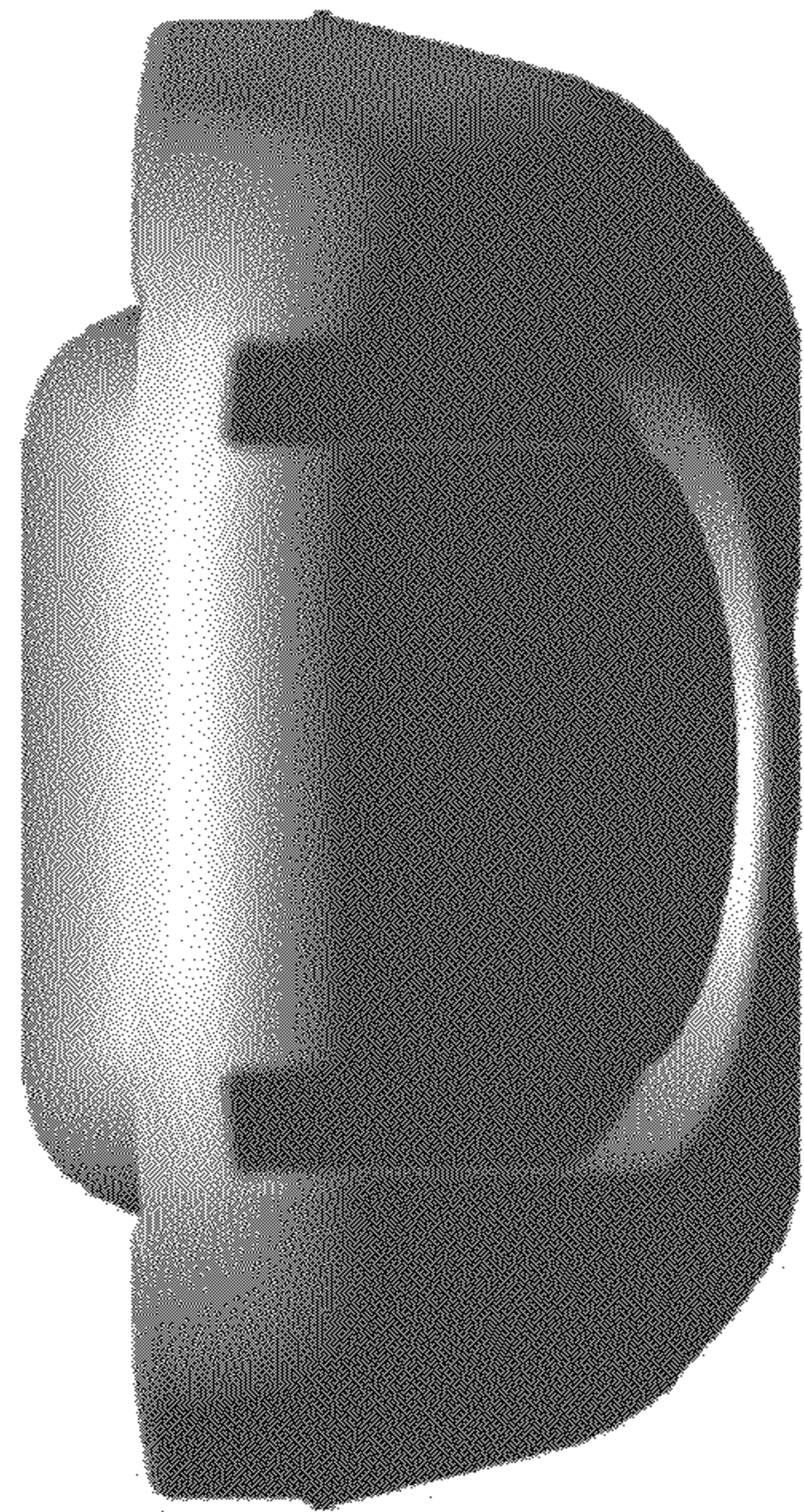


FIG. 5

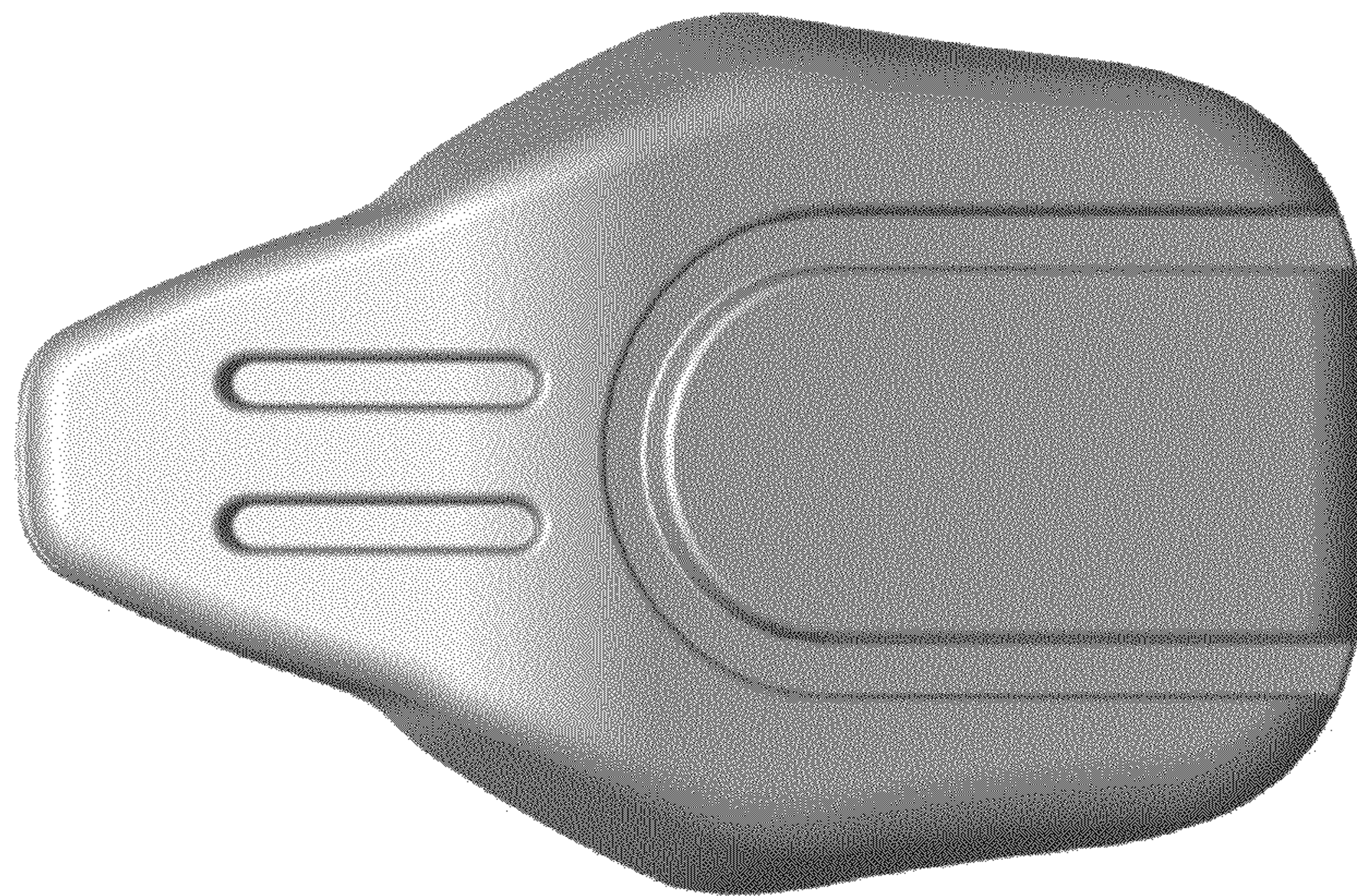


FIG. 6

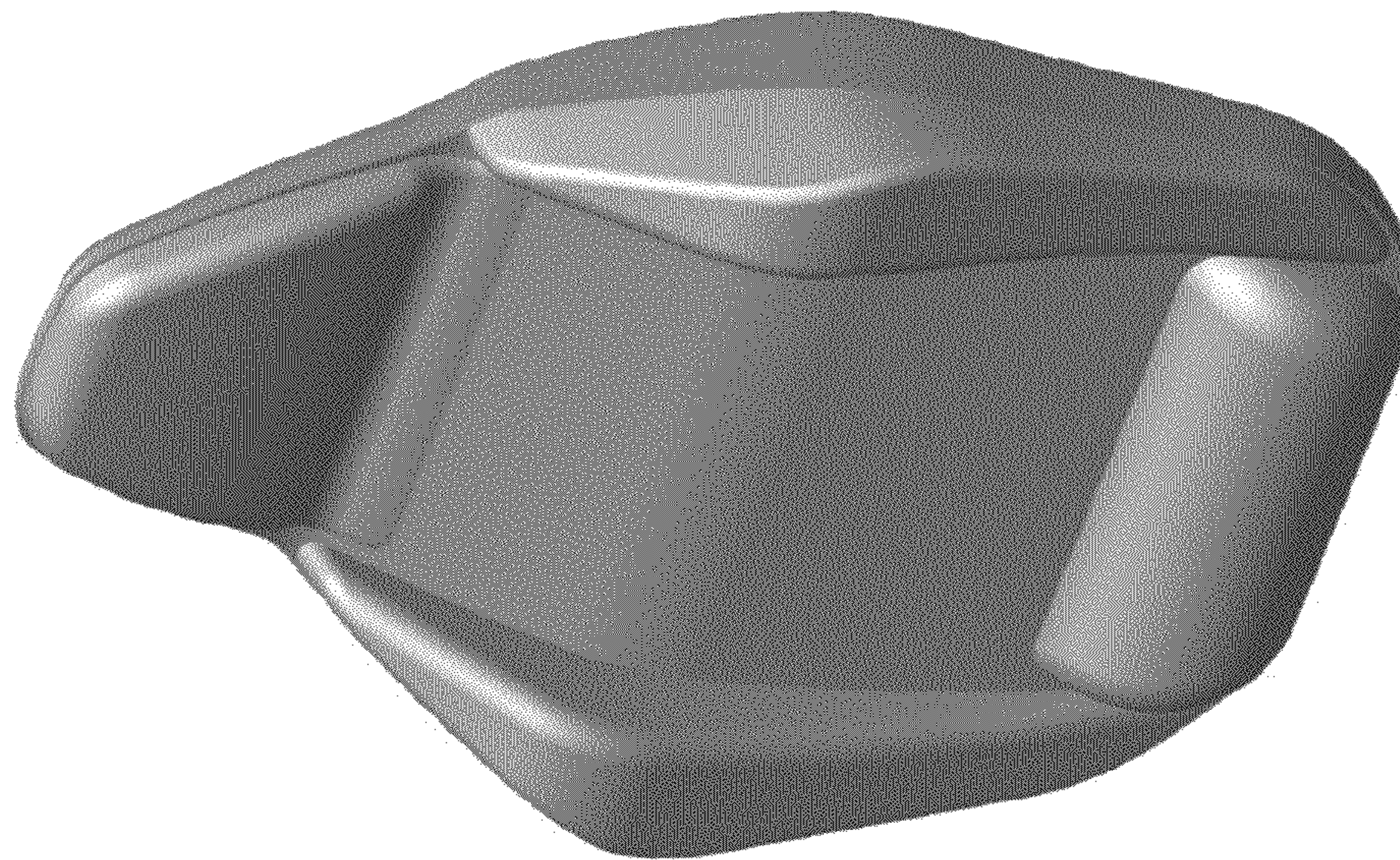


FIG. 7



UNITED STATES PATENT AND TRADEMARK OFFICE  
**CERTIFICATE OF CORRECTION**

PATENT NO. : D718,562 S  
APPLICATION NO. : 29/451633  
DATED : December 2, 2014  
INVENTOR(S) : Robert J. Menne, III

Page 1 of 1

It is certified that error appears in the above-identified patent and that said Letters Patent is hereby corrected as shown below:

On the Title Page:

Item (71) Applicant: Delete "Premier Plastics, Hoyt Lake, MN (US)," insert --Premier Plastics, Inc., Hoyt Lakes, MN (US)--.

Signed and Sealed this  
Nineteenth Day of May, 2015



Michelle K. Lee  
*Director of the United States Patent and Trademark Office*