



US00D718560S

(12) **United States Design Patent**  
**Denby et al.**

(10) **Patent No.:** **US D718,560 S**

(45) **Date of Patent:** **\*\* Dec. 2, 2014**

(54) **PLATFORM FOR DISPLAY UNIT**  
  
(75) Inventors: **Scott E. Denby**, Minneapolis, MN (US);  
**Jason W. Johnson**, Wayzata, MN (US);  
**Timothy J. Martell**, Brooklyn Park, MN  
(US); **Joseph R. Stukenberg**,  
Minneapolis, MN (US); **Daniel J. Noll**,  
Madison, WI (US)

3,351,401 A 11/1967 Cohen  
D225,815 S 1/1973 Torrey  
3,717,395 A 2/1973 Spielvogel et al.  
4,055,373 A 10/1977 Andresen et al.  
4,106,828 A 8/1978 Belokin, Jr.  
D263,358 S \* 3/1982 Winter et al. .... D6/410  
D267,293 S \* 12/1982 Georgi ..... D6/397  
4,452,367 A \* 6/1984 Wein ..... 229/101  
4,841,878 A 6/1989 Kriegsman

(Continued)

(73) Assignee: **Target Brands, Inc.**, Minneapolis, MN  
(US)

**OTHER PUBLICATIONS**

(\*\*) Term: **14 Years**

Office Action from Canadian Patent Application No. 148,467, mailed  
Jun. 20, 2013 (2 pages).

(21) Appl. No.: **29/427,359**

(Continued)

(22) Filed: **Jul. 17, 2012**

*Primary Examiner* — Ricky Pham

(51) **LOC (10) Cl.** ..... **06-04**

(74) *Attorney, Agent, or Firm* — Leanne Taveggia Farrell;  
Westman, Champlin & Koehler, P.A.

(52) **U.S. Cl.**  
USPC ..... **D6/708**

(58) **Field of Classification Search**  
USPC ..... D6/349, 657, 660, 672–675,  
D6/675.1–675.2, 678.4, 682.6, 685–691,  
D6/691.5, 691.8–691.9, 707–708; D9/432;  
D10/46; D11/130; D20/10; D30/104;  
108/150, 153.1, 156, 157.1, 158.11,  
108/161; 211/186–189; 229/101, 117.07,  
229/146; 248/188, 188.1, 188.7–188.8;  
312/108

(57) **CLAIM**  
The ornamental design for a platform for display unit, as  
shown and described.

See application file for complete search history.

**DESCRIPTION**

(56) **References Cited**

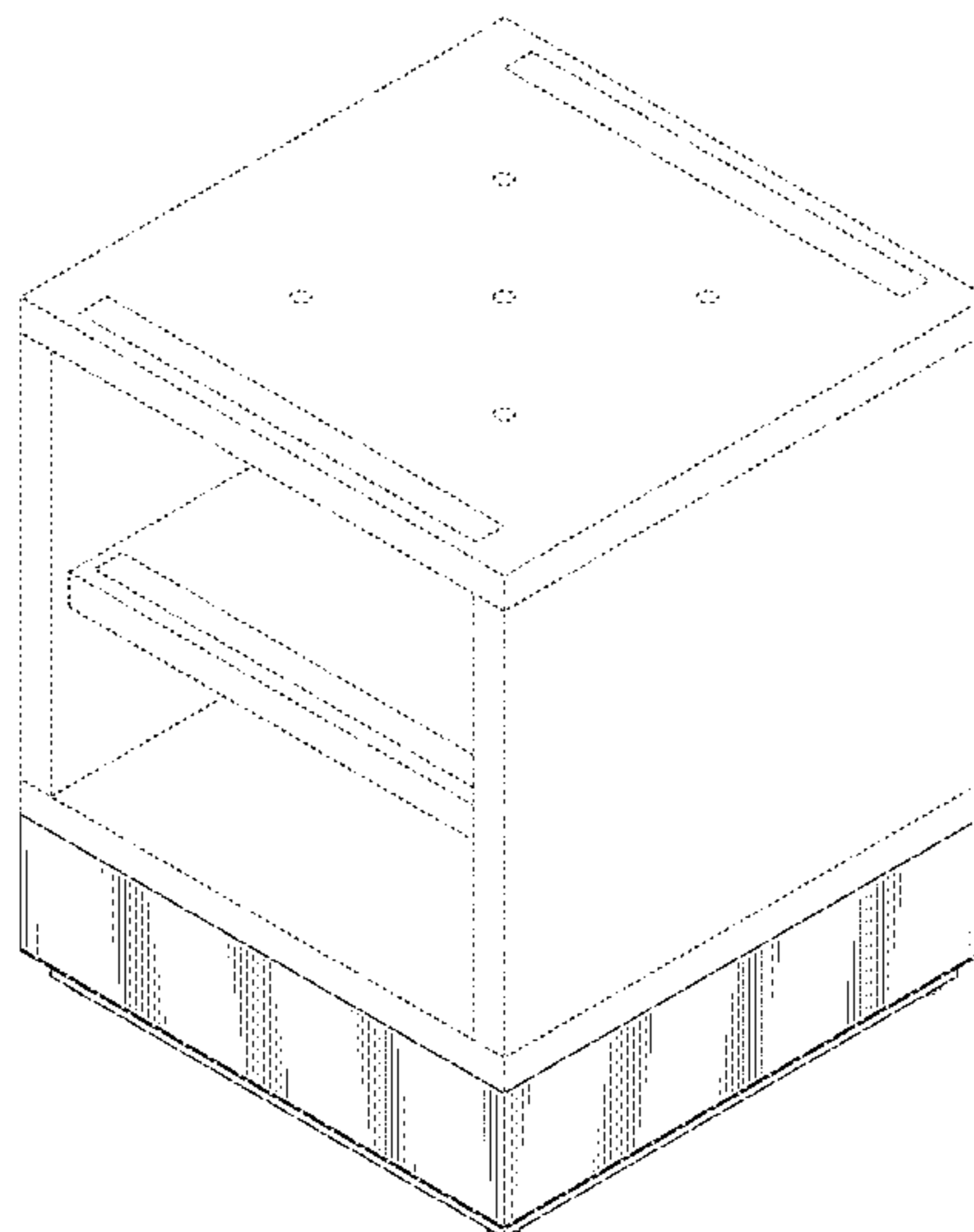
**U.S. PATENT DOCUMENTS**

376,070 A 1/1888 Cobb et al.  
1,290,782 A 1/1919 Reigersberg  
1,738,744 A \* 12/1929 Walter ..... 229/117.07  
2,092,196 A 9/1937 Wood  
2,251,565 A \* 8/1941 Forman ..... 229/146  
2,566,954 A 9/1951 Murray  
2,584,869 A 2/1952 Gunder  
2,810,598 A 10/1957 Lief  
2,901,307 A 8/1959 Moore

FIG. 1 is a perspective view of a platform for display unit;  
FIG. 2 is a perspective view of the platform for display unit  
with a portion of unclaimed environment removed;  
FIG. 3 is a top view thereof;  
FIG. 4 is a bottom view thereof;  
FIG. 5 is a front view thereof, the side views and the back view  
being identical;  
FIG. 6 is an enlarged cross-sectional view taken through line  
**6-6** of FIG. 5; and,  
FIG. 7 is an enlarged view of a portion of the enlarged section  
view illustrated in FIG. 6.

The broken lines shown in the drawings are included for  
purposes of illustrating the platform for display unit and form  
no part of the claimed design.

**1 Claim, 6 Drawing Sheets**



(56)

References Cited

U.S. PATENT DOCUMENTS

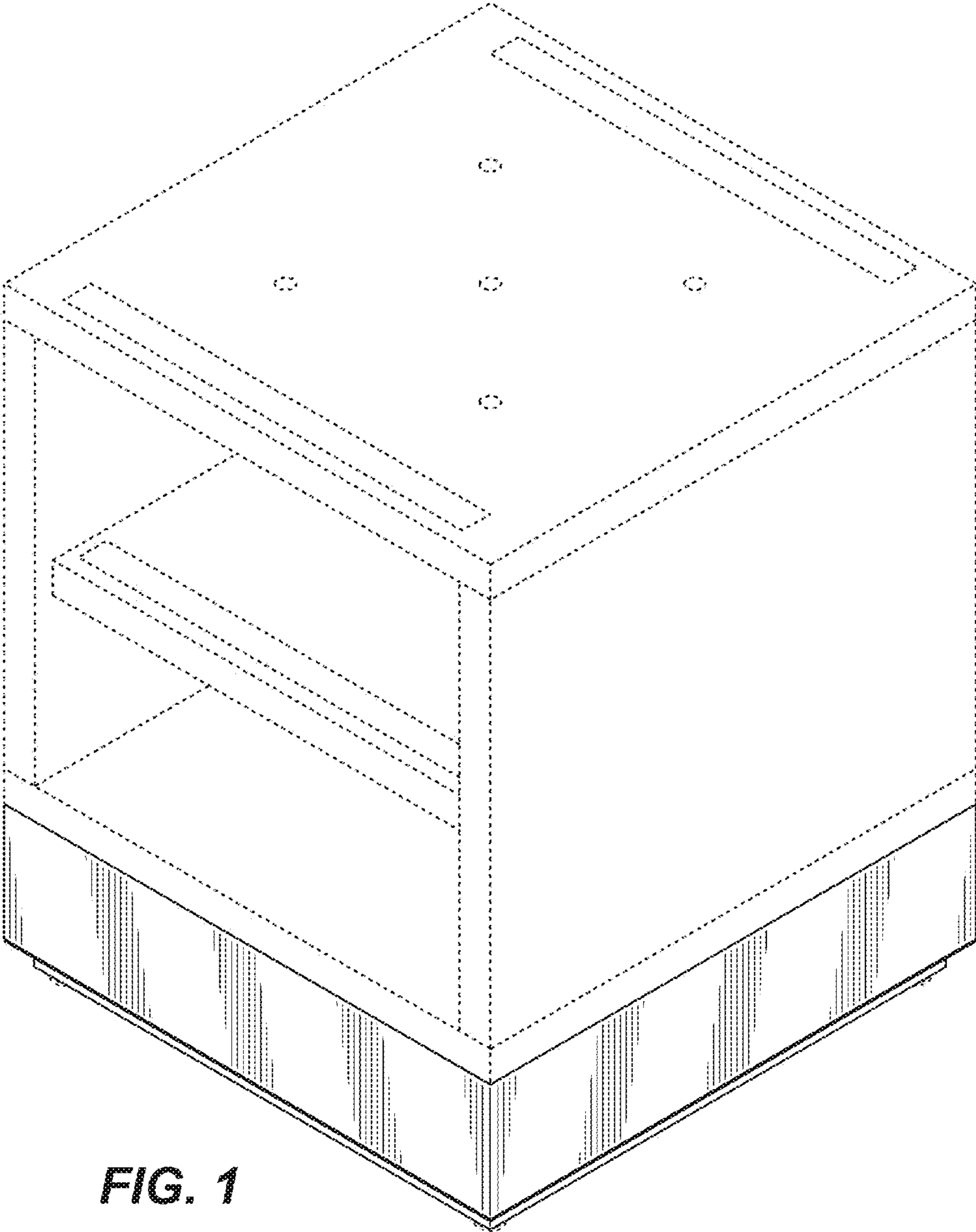
5,497,888 A 3/1996 Michaels et al.  
 5,615,619 A 4/1997 King  
 D382,906 S \* 8/1997 Bach et al. .... D20/10  
 5,718,398 A 2/1998 Ross, Jr.  
 D399,648 S 10/1998 Hilton  
 5,890,607 A \* 4/1999 Maglione ..... 211/189  
 5,918,750 A \* 7/1999 Jackson ..... 211/189  
 D423,171 S 4/2000 Alcalá et al.  
 D426,033 S \* 5/2000 Rooks ..... D30/104  
 D429,085 S \* 8/2000 Welty et al. .... D6/397  
 D437,706 S 2/2001 Alcalá et al.  
 6,267,462 B1 7/2001 Krause et al.  
 D454,454 S \* 3/2002 Hamilton et al. .... D6/510  
 6,389,987 B1 5/2002 King  
 D463,181 S \* 9/2002 Patik ..... D6/511  
 D477,790 S \* 7/2003 Simpson ..... D11/130  
 D498,614 S 11/2004 Kalaouze  
 D534,376 S \* 1/2007 Sparkowski ..... D6/468  
 D547,569 S \* 7/2007 Yan ..... D6/474  
 D573,369 S \* 7/2008 Sparkowski ..... D6/463  
 D599,577 S \* 9/2009 Lara ..... D6/436

D611,733 S 3/2010 Stukenberg  
 D611,734 S 3/2010 Stukenberg et al.  
 D611,735 S 3/2010 Stukenberg  
 D622,590 S \* 8/2010 Tayama ..... D9/432  
 D622,959 S 9/2010 Zalewski et al.  
 7,841,676 B2 11/2010 Hawkins  
 7,988,244 B2 8/2011 Haws, Jr.  
 D655,108 S \* 3/2012 Majrani ..... D6/479  
 D657,591 S \* 4/2012 Sanchez ..... D6/479  
 D683,634 S \* 6/2013 Hayakawa et al. .... D10/46  
 D684,396 S \* 6/2013 Stukenberg et al. .... D6/657  
 D690,139 S \* 9/2013 Trinh et al. .... D6/672  
 D694,558 S \* 12/2013 Denby et al. .... D6/675.1  
 2004/0217677 A1 \* 11/2004 Durand et al. .... 312/108  
 2005/0230338 A1 \* 10/2005 Farinola et al. .... 211/186  
 2007/0200035 A1 8/2007 Chamberlain, III et al.  
 2011/0316396 A1 12/2011 Arne et al.

OTHER PUBLICATIONS

Office Action from corresponding Canadian Design Application No. 148467, filed Nov. 13, 2012 (2 pages).

\* cited by examiner



**FIG. 1**



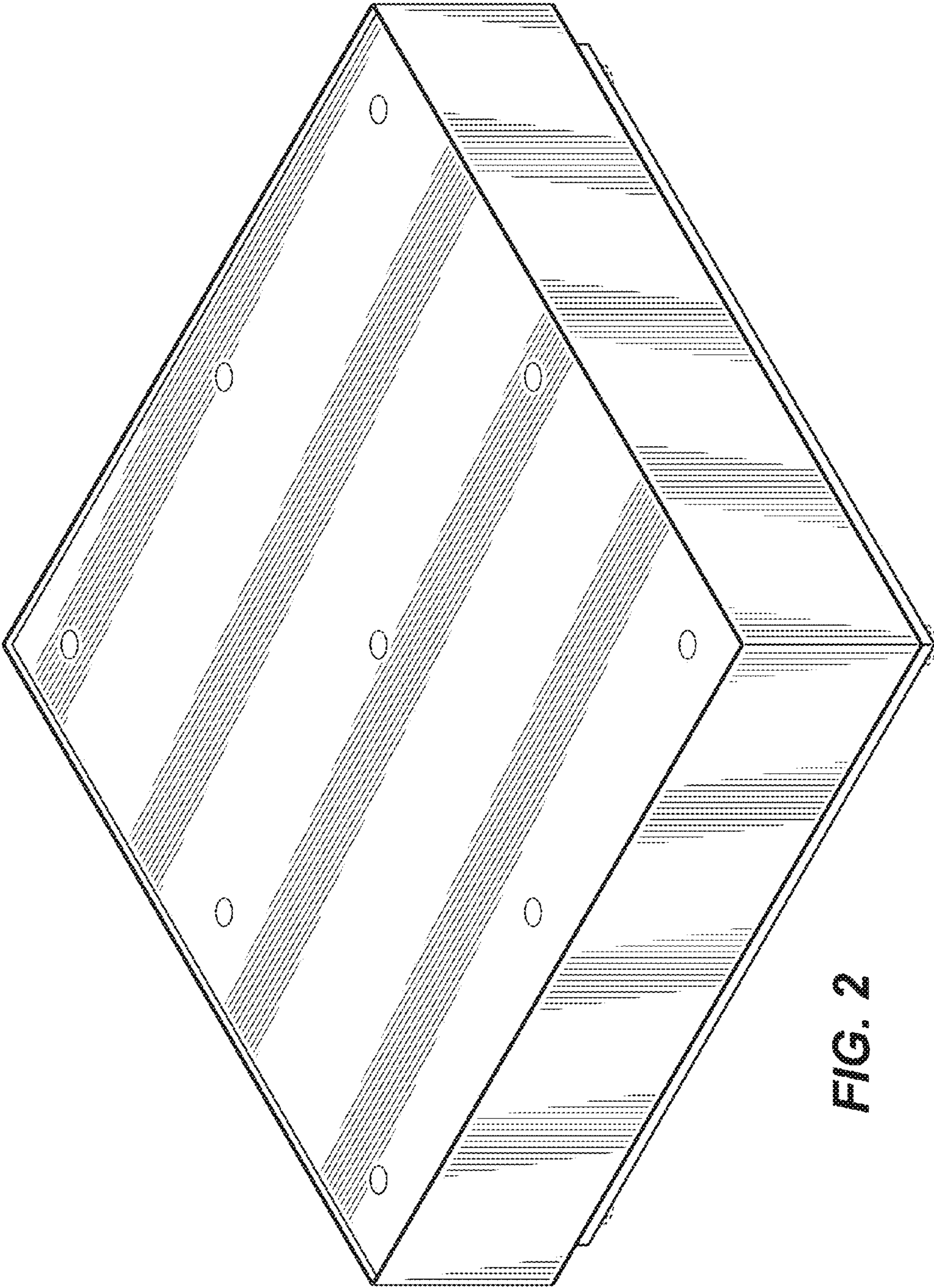
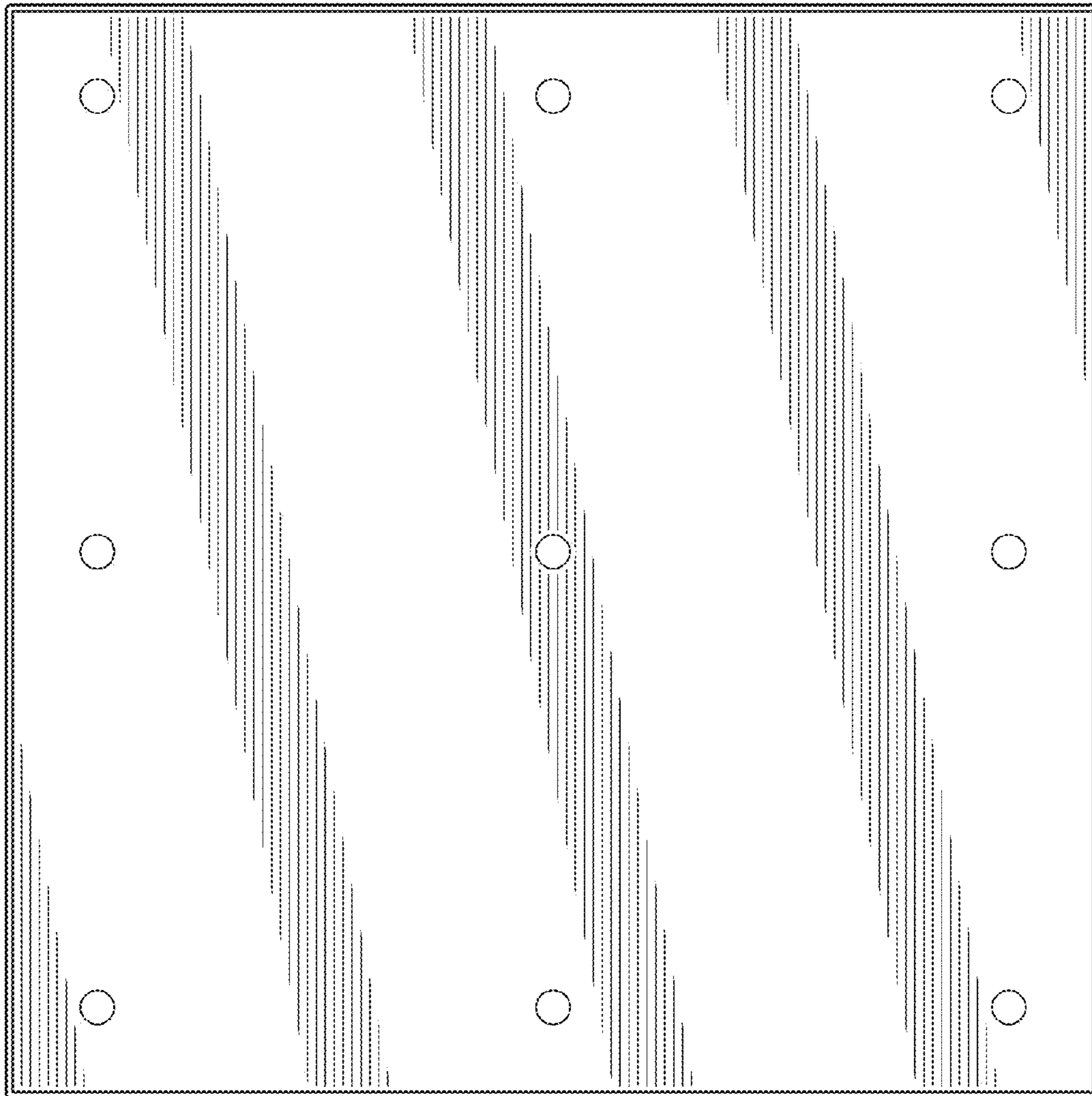
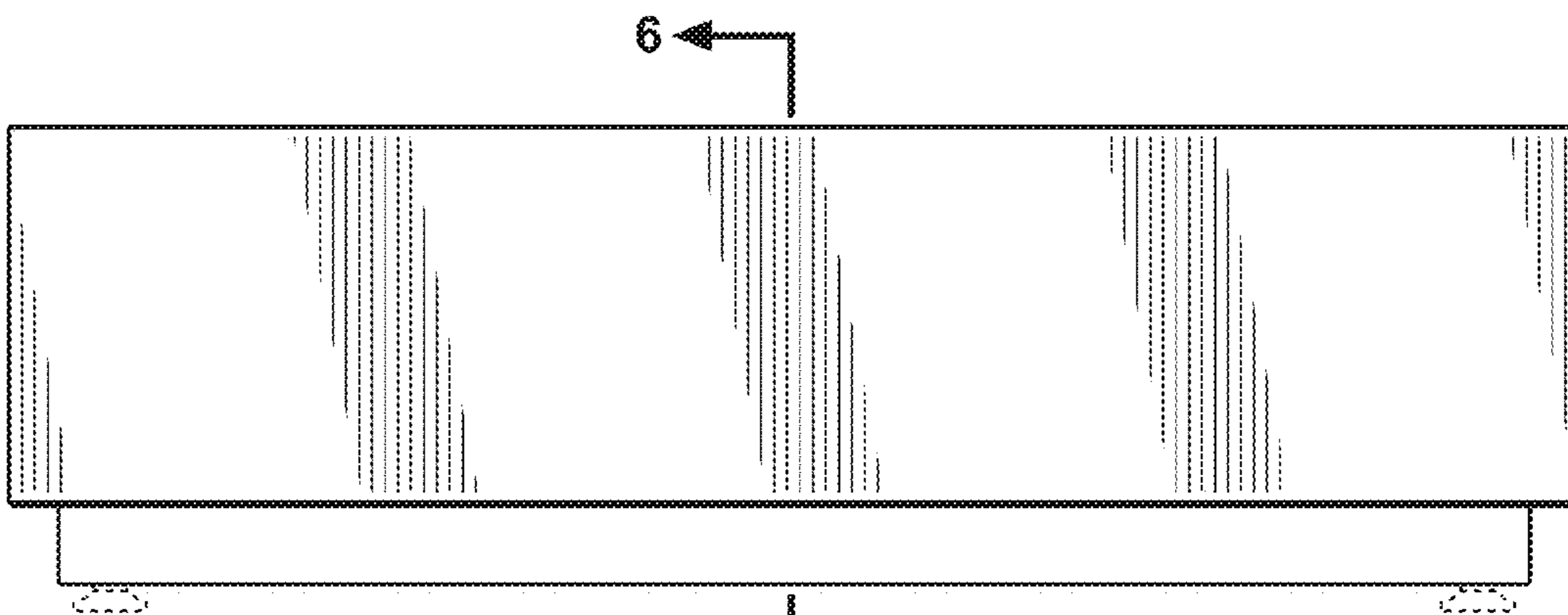


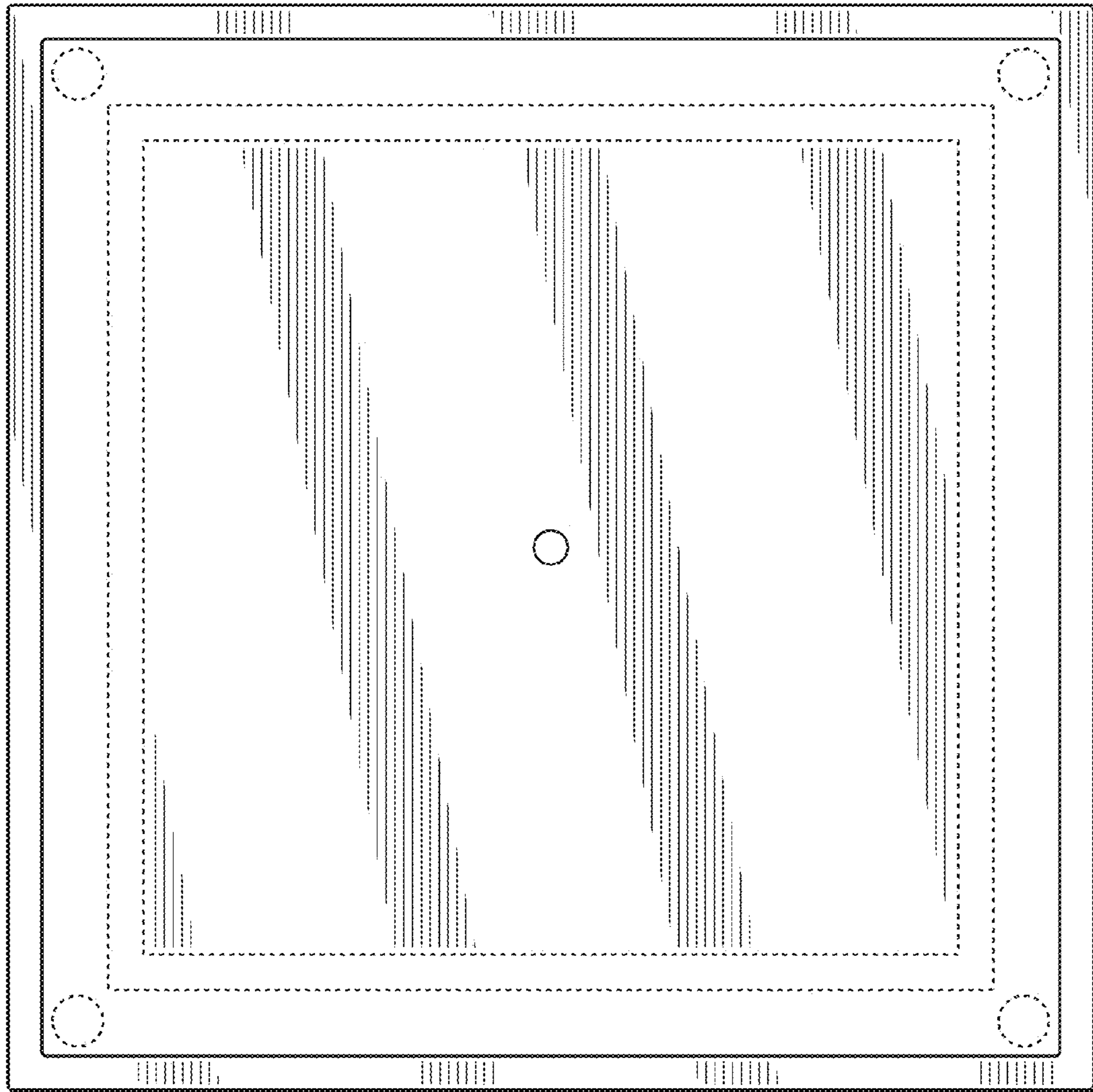
FIG. 2



**FIG. 3**



**FIG. 5**



**FIG. 4**



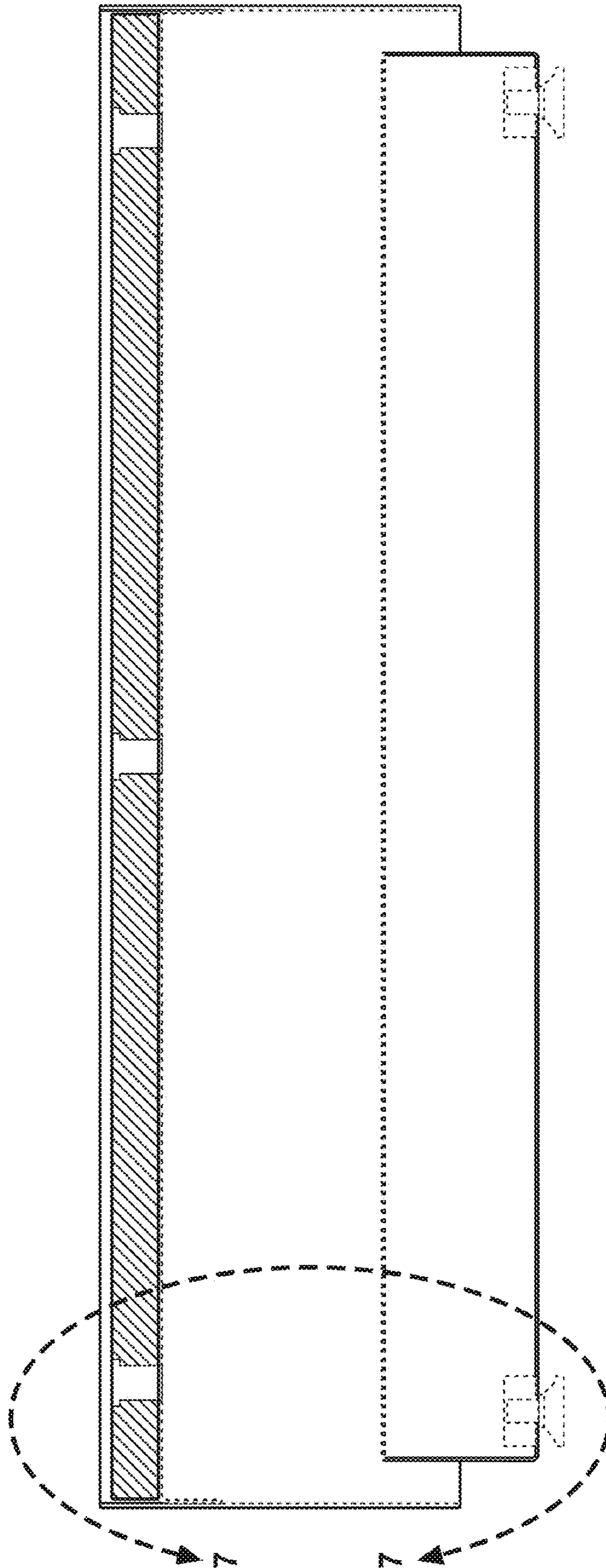
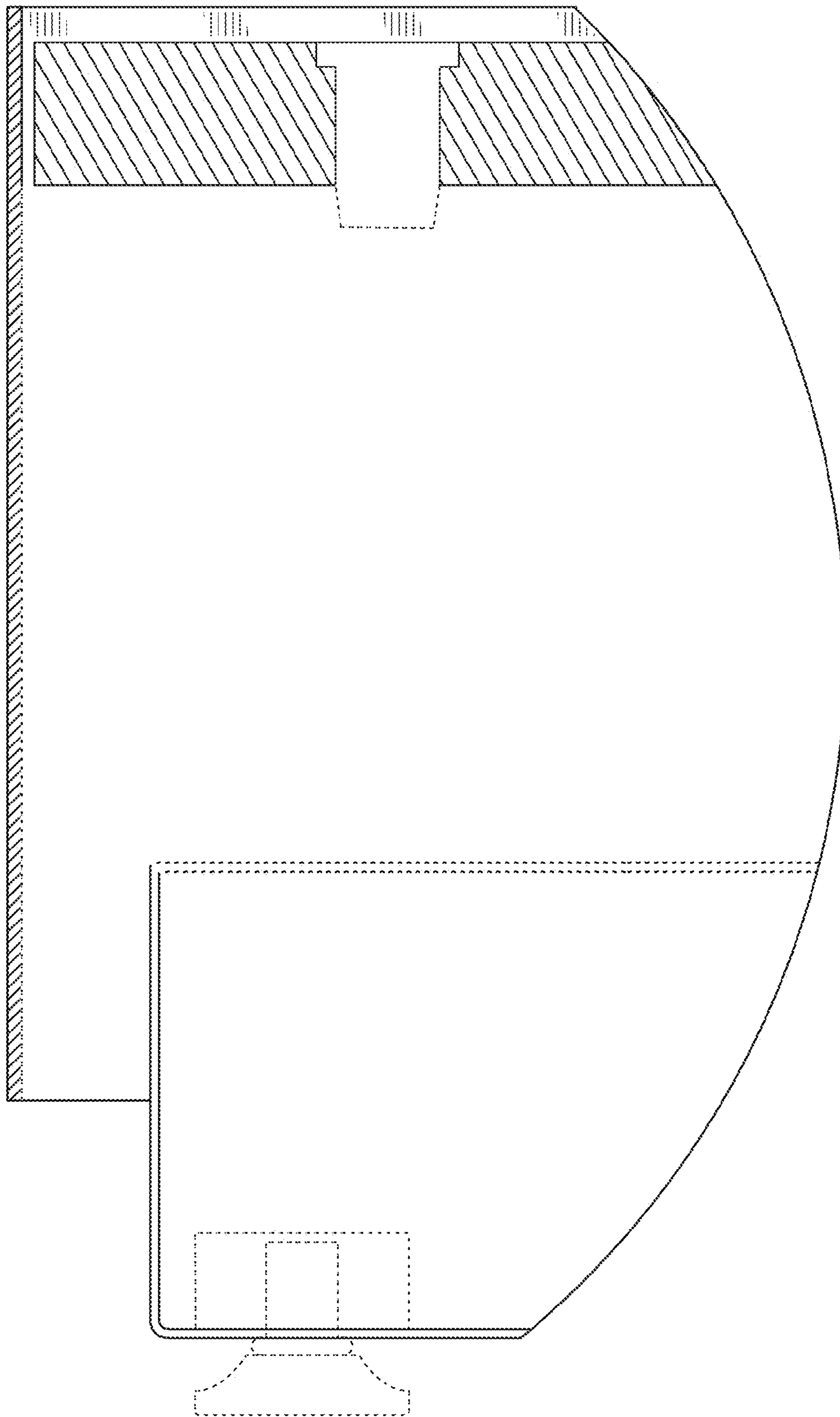


FIG. 6



**FIG. 7**