



US00D718559S

(12) **United States Design Patent**
Rheault et al.

(10) **Patent No.:** **US D718,559 S**
(45) **Date of Patent:** **** Dec. 2, 2014**

(54) **CASEGOOD CORNER**

FOREIGN PATENT DOCUMENTS

(75) Inventors: **Alan Ernest Rheault**, Grand Rapids, MI (US); **Karl Jahn Mead**, East Grand Rapids, MI (US)

DE 2204784 A1 8/1973
FR 2358128 B1 11/1980

Primary Examiner — Ricky Pham

(73) Assignee: **Steelcase Inc.**, Grand Rapids, MI (US)

(**) Term: **14 Years**

(57) **CLAIM**

We claim the ornamental design for a casegood corner, as shown and described.

(21) Appl. No.: **29/430,845**

DESCRIPTION

(22) Filed: **Aug. 30, 2012**

(51) **LOC (10) Cl.** **06-06**

(52) **U.S. Cl.**

USPC **D6/702**

(58) **Field of Classification Search**

USPC D6/371-372, 381, 652, 657-661, 662.1, D6/663-664, 664.1, 667, 668.2, 670-671, D6/671.1, 671.2, 671.3, 675.3, 681, 691.8, D6/694, 702-703, 703.2-703.4, 705.1, D6/705.7, 707, 716, 716.4; D8/301, 314, D8/354; D15/83, 145; 16/415; 292/1; 312/138.1, 204, 224, 257.1, 265.3, 312/265.6, 293.2, 384.4

See application file for complete search history.

FIG. 1 is a front perspective view of a casegood corner, according to one embodiment;
FIG. 2 is a top perspective view of a casegood corner of FIG. 1;
FIG. 3 is a front view of a casegood corner of FIG. 1;
FIG. 4 is a rear view of a casegood corner of FIG. 1;
FIG. 5 is a left side view of a casegood corner of FIG. 1;
FIG. 6 is a right side view of a casegood corner of FIG. 1;
FIG. 7 is a top view of a casegood corner of FIG. 1;
FIG. 8 is a bottom view of a casegood corner of FIG. 1;
FIG. 9 is a front perspective view of a casegood corner, according to a second embodiment;
FIG. 10 is a top perspective view of a casegood corner of FIG. 9;
FIG. 11 is a front view of a casegood corner of FIG. 9;
FIG. 12 is a rear view of a casegood corner of FIG. 9;
FIG. 13 is a left side view of a casegood corner of FIG. 9;
FIG. 14 is a right side view of a casegood corner of FIG. 9;
FIG. 15 is a top view of a casegood corner of FIG. 9; and, FIG. 16 is a bottom view of a casegood corner of FIG. 9.
The dashed lines are for purposes of illustrating environmental structure and form no part of the claimed design.

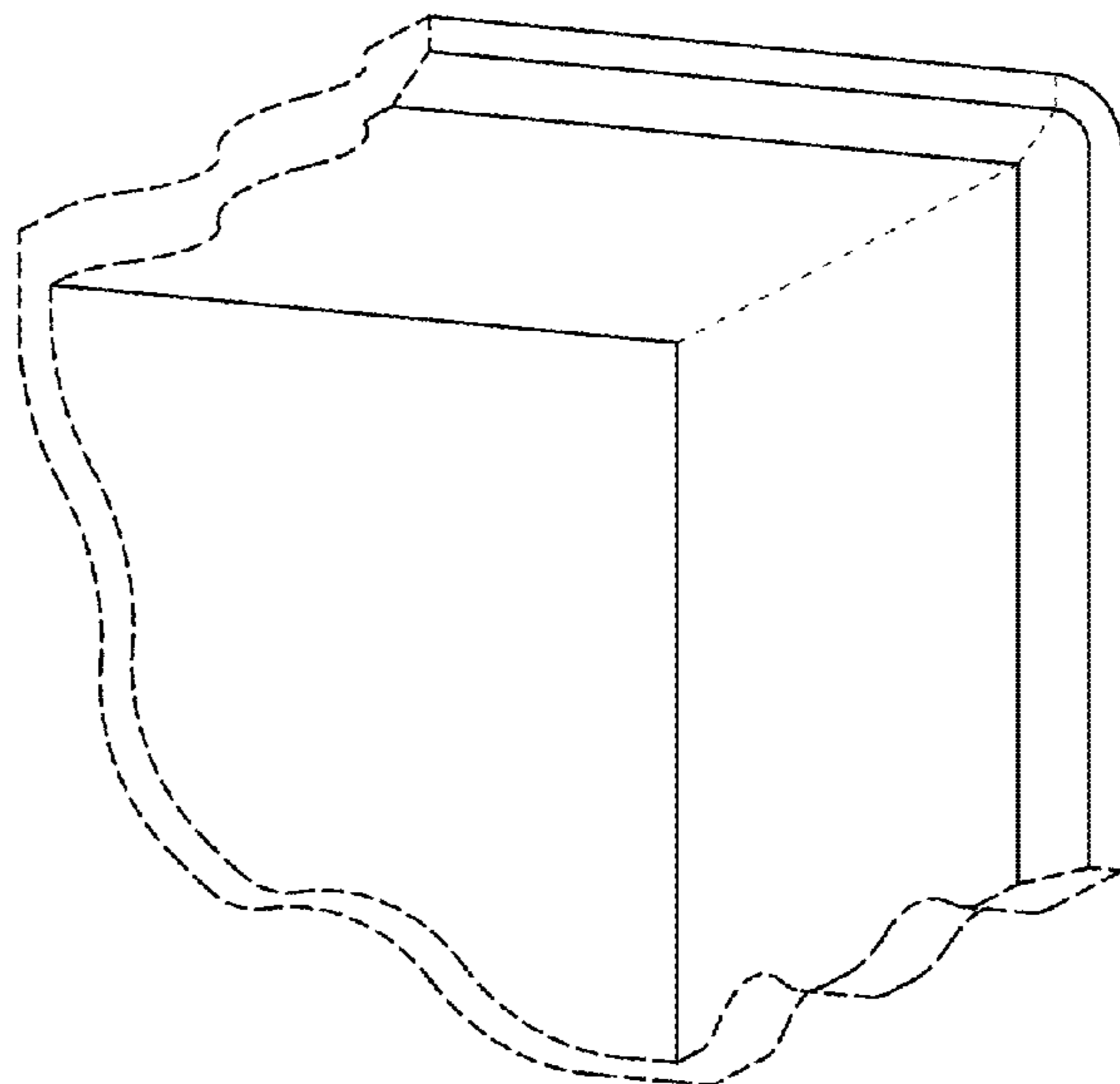
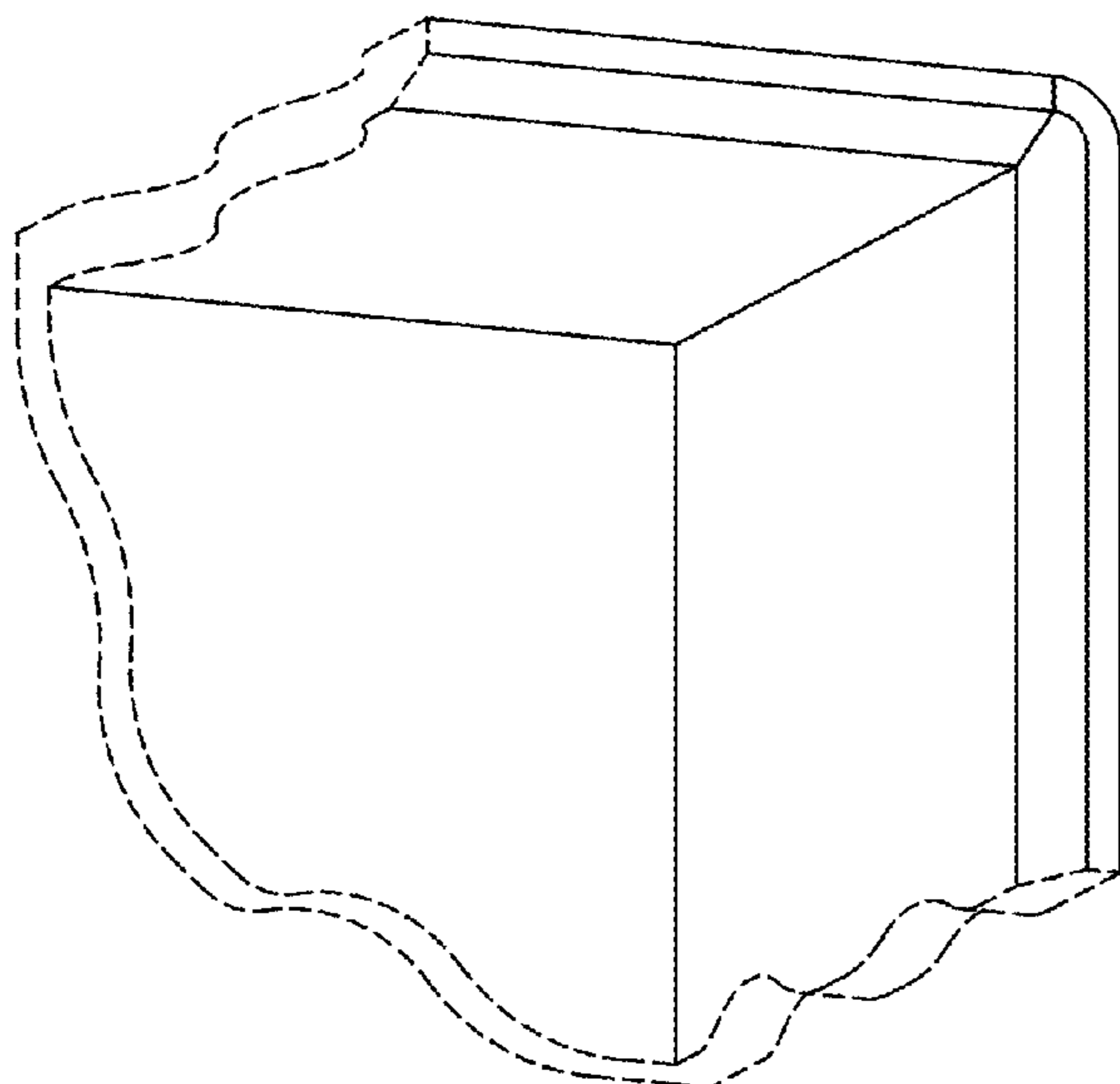
(56) **References Cited**

U.S. PATENT DOCUMENTS

797,826 A 8/1905 Sherman, Jr.
843,547 A 2/1907 McKensey
D50,446 S * 3/1917 Jordan D8/301
1,265,977 A 5/1918 Vordermark
1,391,462 A 9/1921 Robinson
2,103,552 A 12/1937 Alexander

(Continued)

1 Claim, 6 Drawing Sheets



(56)

References Cited

U.S. PATENT DOCUMENTS

D127,925 S	6/1941	Scott	
2,261,506 A	11/1941	Scott	
2,279,946 A	4/1942	Johnson	
D151,983 S	12/1948	Guertin	
2,476,105 A	7/1949	Megary	
2,720,659 A	10/1955	Brown	
2,899,691 A	8/1959	Davis et al.	
3,055,017 A	9/1962	Thierfelder	
3,093,410 A	6/1963	Forest	
3,127,216 A	3/1964	Clouse	
D203,385 S *	1/1966	Hinrichs	D8/314
D203,817 S	2/1966	Burke	
3,241,885 A	3/1966	Deaton	
3,353,865 A	11/1967	Sidney	
D214,245 S	5/1969	Sand	
D215,839 S	11/1969	Wormser	
3,635,521 A	1/1972	Shivvers	
3,811,728 A	5/1974	Redemske	
D241,485 S	9/1976	Blodee	
4,032,188 A	6/1977	Jones	
D246,023 S	10/1977	Hillman et al.	
4,070,715 A	1/1978	Reppas	
4,110,854 A	9/1978	Sjolie	
D250,868 S *	1/1979	Ornatek	D6/445
D256,297 S	8/1980	Gera et al.	
D272,872 S	3/1984	Moreno	
D273,254 S	4/1984	Fairaizen	
D282,886 S	3/1986	Williams	
D284,142 S	6/1986	Raftery	
D288,631 S	3/1987	Mample	
D312,001 S	11/1990	Synarski et al.	
D312,736 S	12/1990	Grosfillex	
D335,035 S	4/1993	Floyd	
D342,617 S	12/1993	Louden	
D358,283 S	5/1995	Kelly	
D359,406 S	6/1995	Crawford et al.	
5,423,597 A	6/1995	Rogers	
D360,775 S	8/1995	Karkoska et al.	
D369,247 S	4/1996	Anderson	
D376,499 S	12/1996	Glick et al.	
5,754,995 A	5/1998	Behrendt	
5,918,915 A *	7/1999	Calteux	292/1
D418,313 S	1/2000	Sexton et al.	
D419,314 S	1/2000	Saul	
D436,754 S *	1/2001	Bellini	D6/445
D439,425 S	3/2001	Park et al.	
D464,500 S *	10/2002	Roberts	D6/422
D472,069 S *	3/2003	Sedor et al.	D6/422
D472,726 S *	4/2003	Calfa	D6/381
D483,045 S *	12/2003	Resch	D15/83
D491,004 S *	6/2004	Nemec et al.	D6/492
D493,687 S *	8/2004	Ayrest	D8/314
D510,816 S	10/2005	Lee	
D513,141 S *	12/2005	Mehmen et al.	D6/510
7,040,695 B2	5/2006	McClure	
D522,770 S *	6/2006	Easton	D6/436
D527,196 S	8/2006	Antonioni	
D530,929 S	10/2006	Resterhouse et al.	
D532,209 S	11/2006	Rodis	
7,181,783 B2	2/2007	O'Reilly	
D538,549 S	3/2007	Spear	
D541,075 S	4/2007	Natuzzi	
D558,993 S	1/2008	Saint Jalmes et al.	
D561,487 S	2/2008	Schweikarth et al.	
D566,417 S	4/2008	Mourgue	
D566,429 S *	4/2008	Roberts	D6/477
D566,980 S	4/2008	Mourgue	
D569,112 S	5/2008	Swanson	
D575,963 S	9/2008	Gomez	
D577,211 S	9/2008	Natuzzi	
D582,688 S	12/2008	Spear	
D586,151 S *	2/2009	Roberts	D6/445
D586,590 S	2/2009	Schweikarth et al.	
D587,918 S	3/2009	Bergman et al.	
D595,560 S *	7/2009	Miska	D8/314
D597,328 S	8/2009	Schweikarth et al.	
D598,665 S	8/2009	Cloet et al.	
D598,666 S	8/2009	Cloet et al.	
D600,938 S	9/2009	Natuzzi	
D613,319 S *	4/2010	Okamoto et al.	D15/145
D614,876 S	5/2010	Metcalf et al.	
D614,884 S	5/2010	Metcalf et al.	
D615,767 S	5/2010	Griepentrog et al.	
D617,122 S	6/2010	Moon et al.	
D618,935 S	7/2010	Metcalf et al.	
D620,288 S	7/2010	Stiker Metral	
D620,779 S *	8/2010	Kunnath et al.	D8/314
D624,328 S	9/2010	Grandin et al.	
D639,083 S	6/2011	Martin	
D642,395 S *	8/2011	Bladh et al.	D6/372
D646,091 S *	10/2011	Welsh	D6/502
D657,155 S *	4/2012	Grandin et al.	D6/381
8,365,360 B2 *	2/2013	Kunnath et al.	16/415
D681,374 S *	5/2013	Gasser	D6/716
D688,493 S *	8/2013	Woods	D6/661
D699,097 S *	2/2014	Chung et al.	D8/354
D699,461 S *	2/2014	Bosman	D6/371
2007/0289225 A1	12/2007	Kern et al.	
2009/0243352 A1	10/2009	Cailleateau	

* cited by examiner

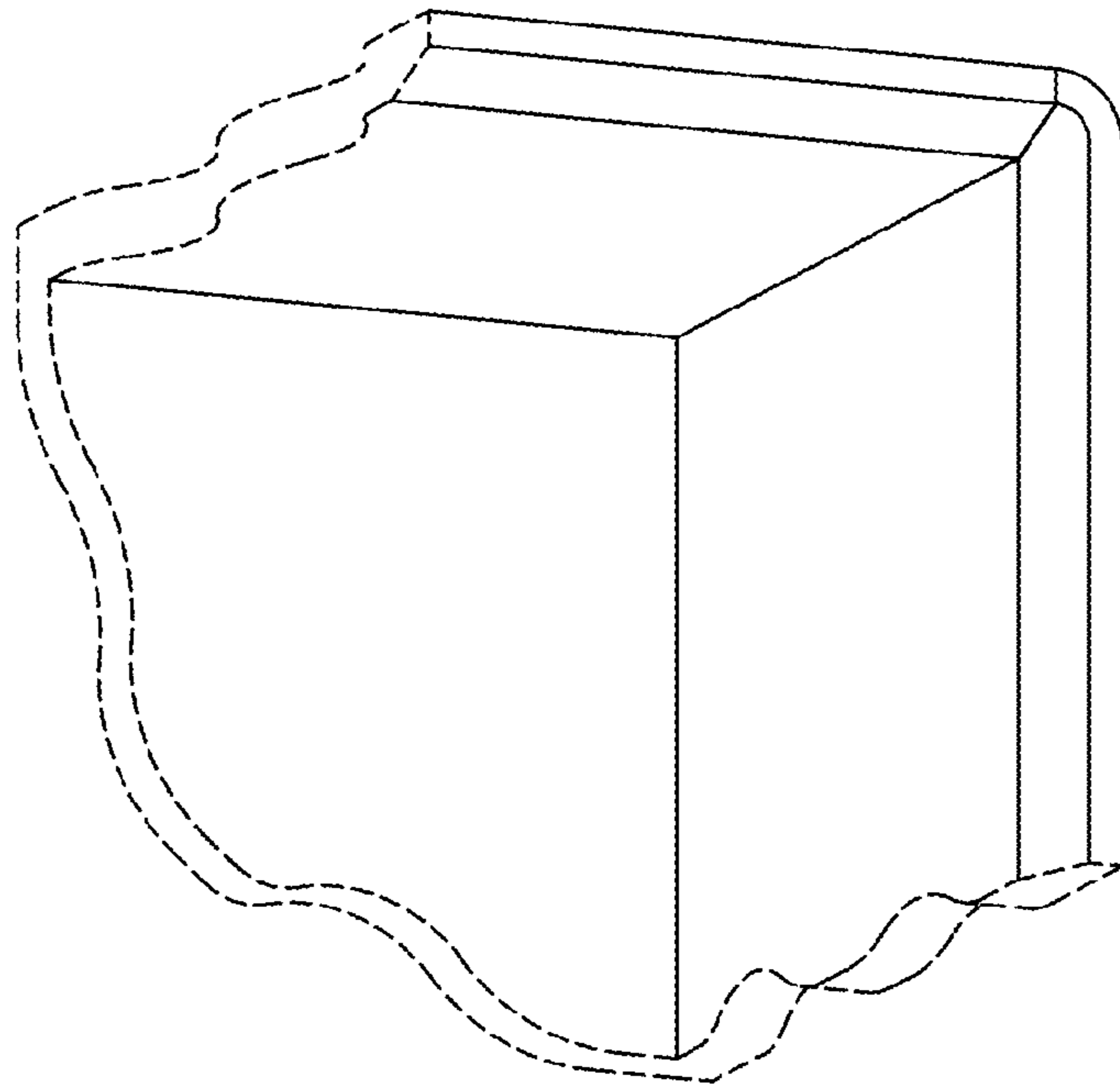


FIG. 1

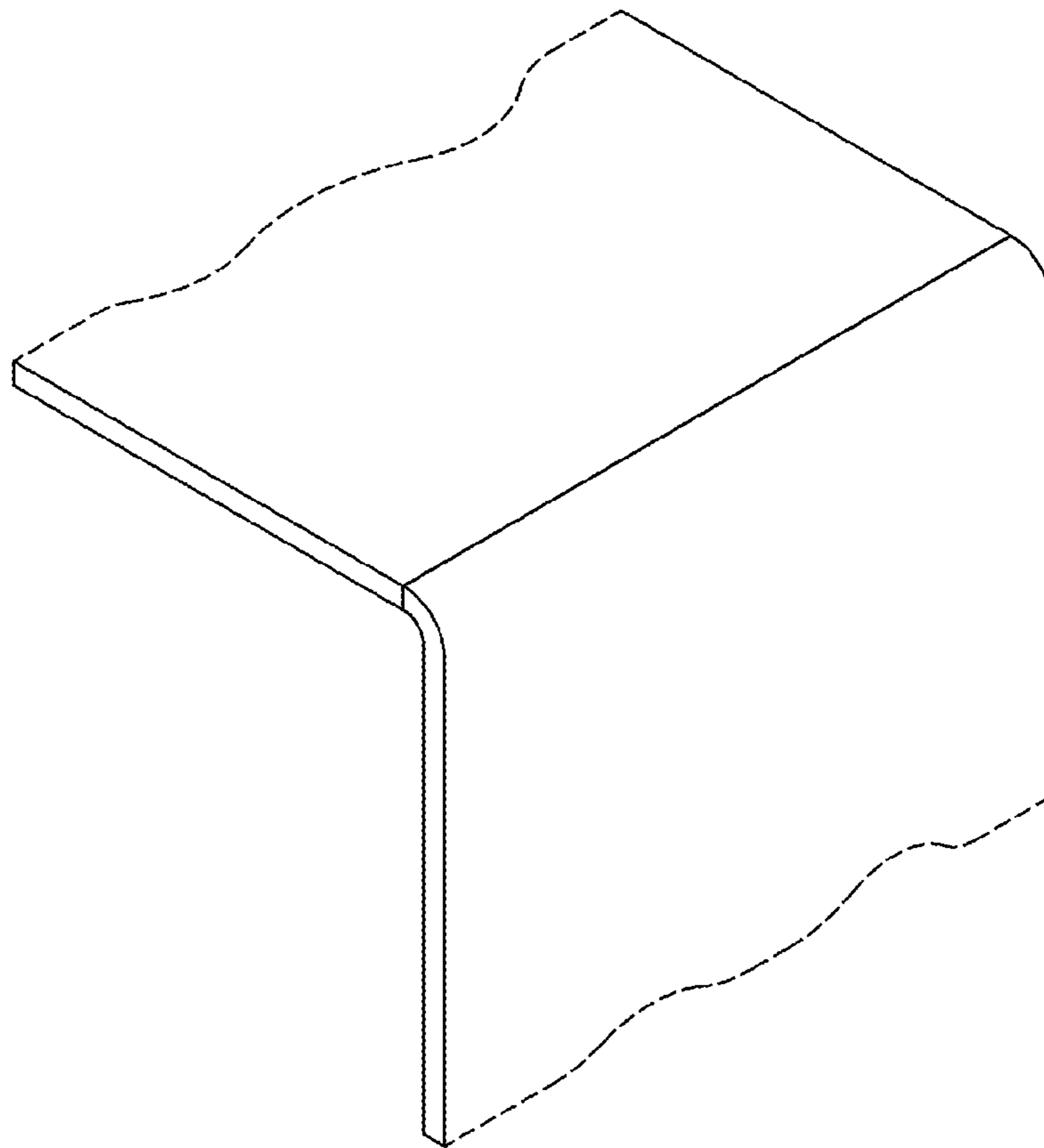


FIG. 2

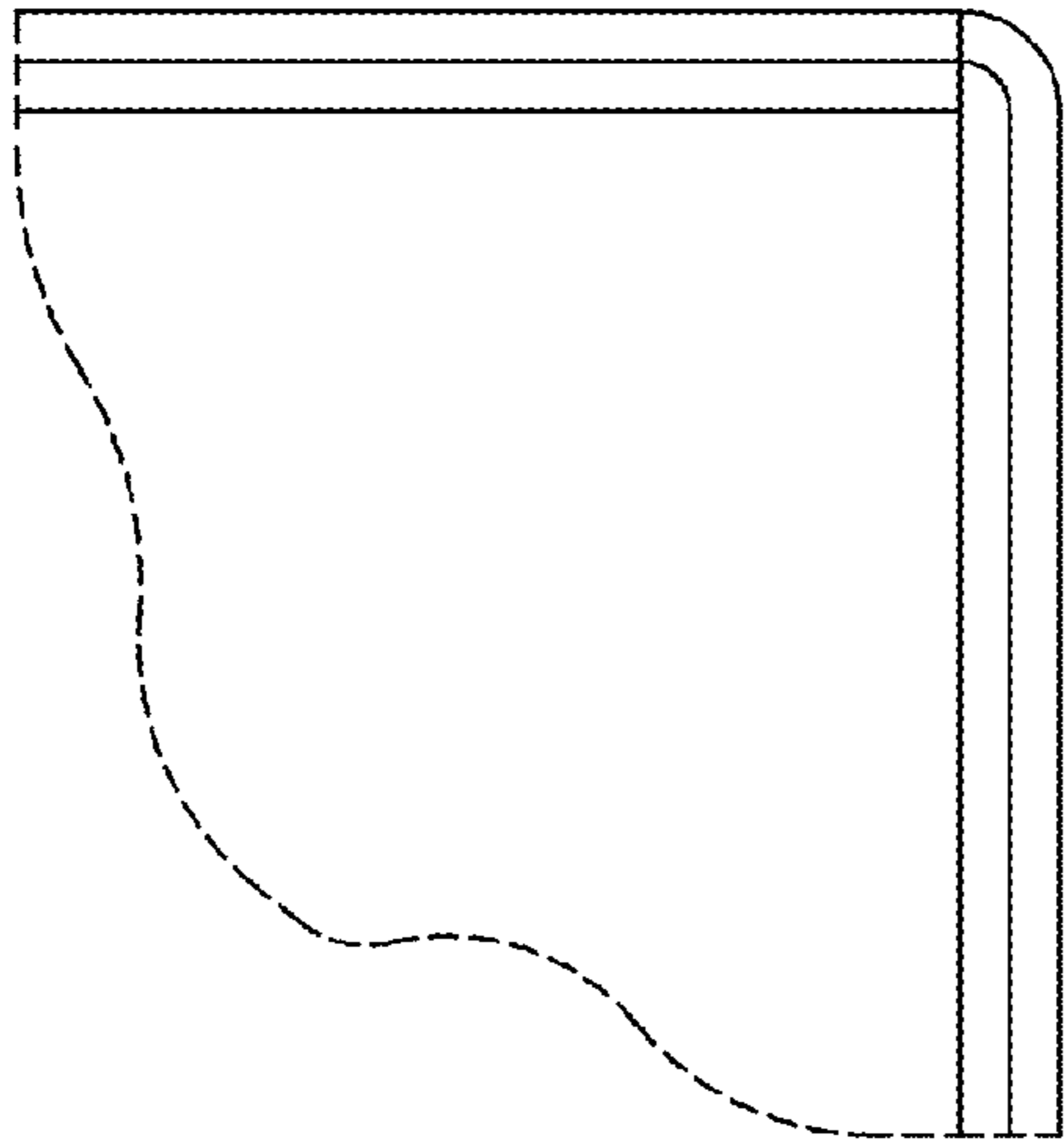


FIG. 3

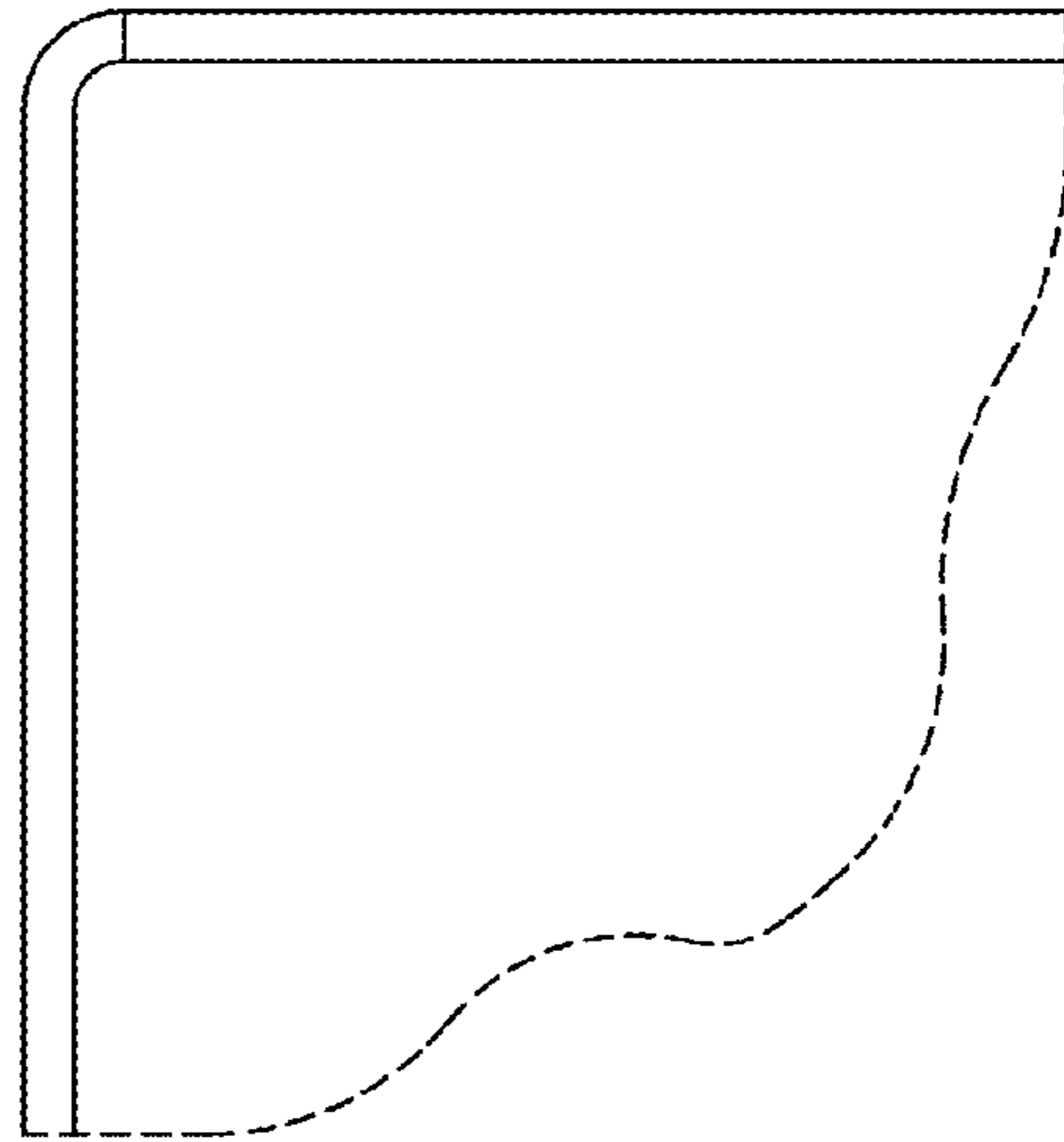


FIG. 4

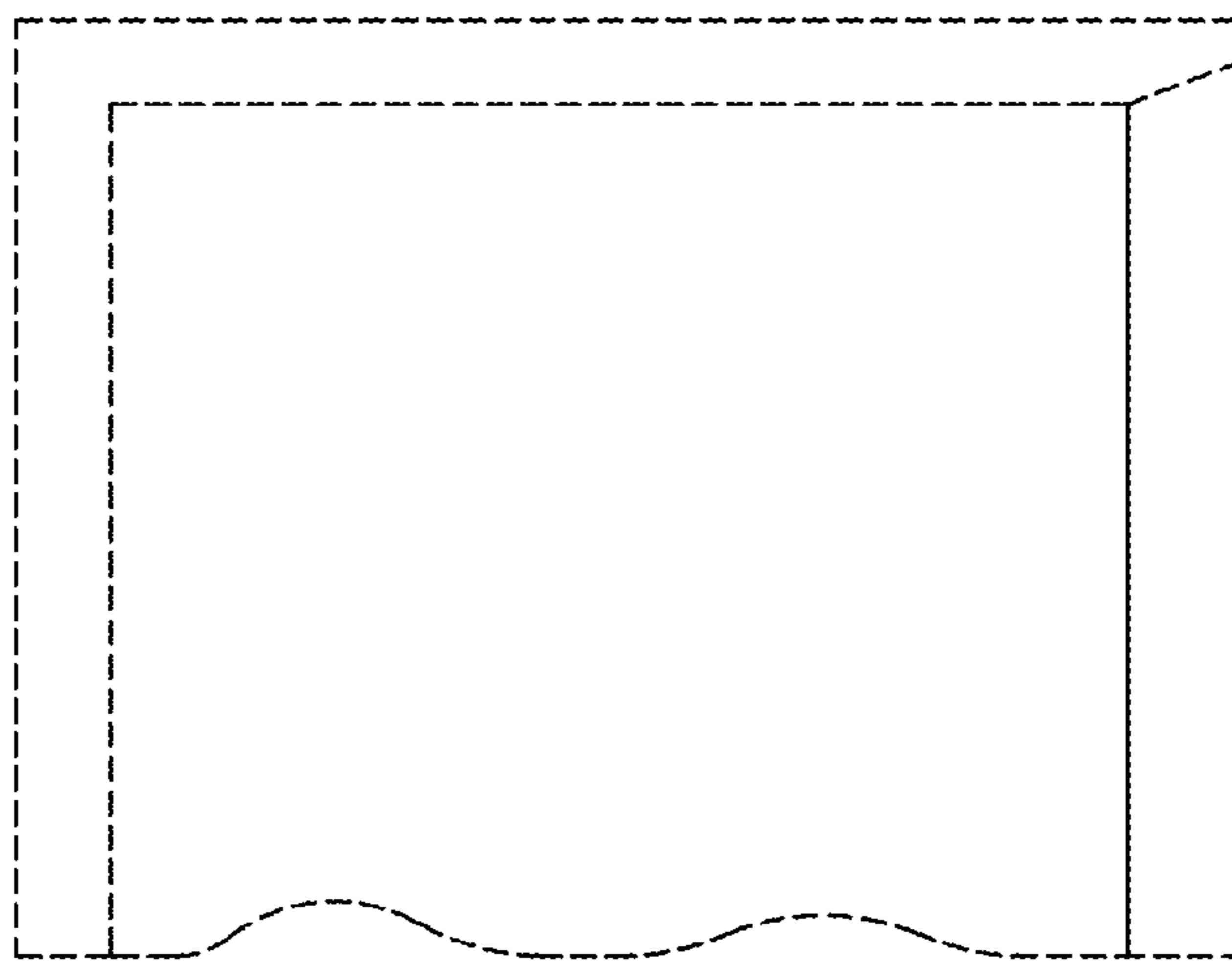


FIG. 5

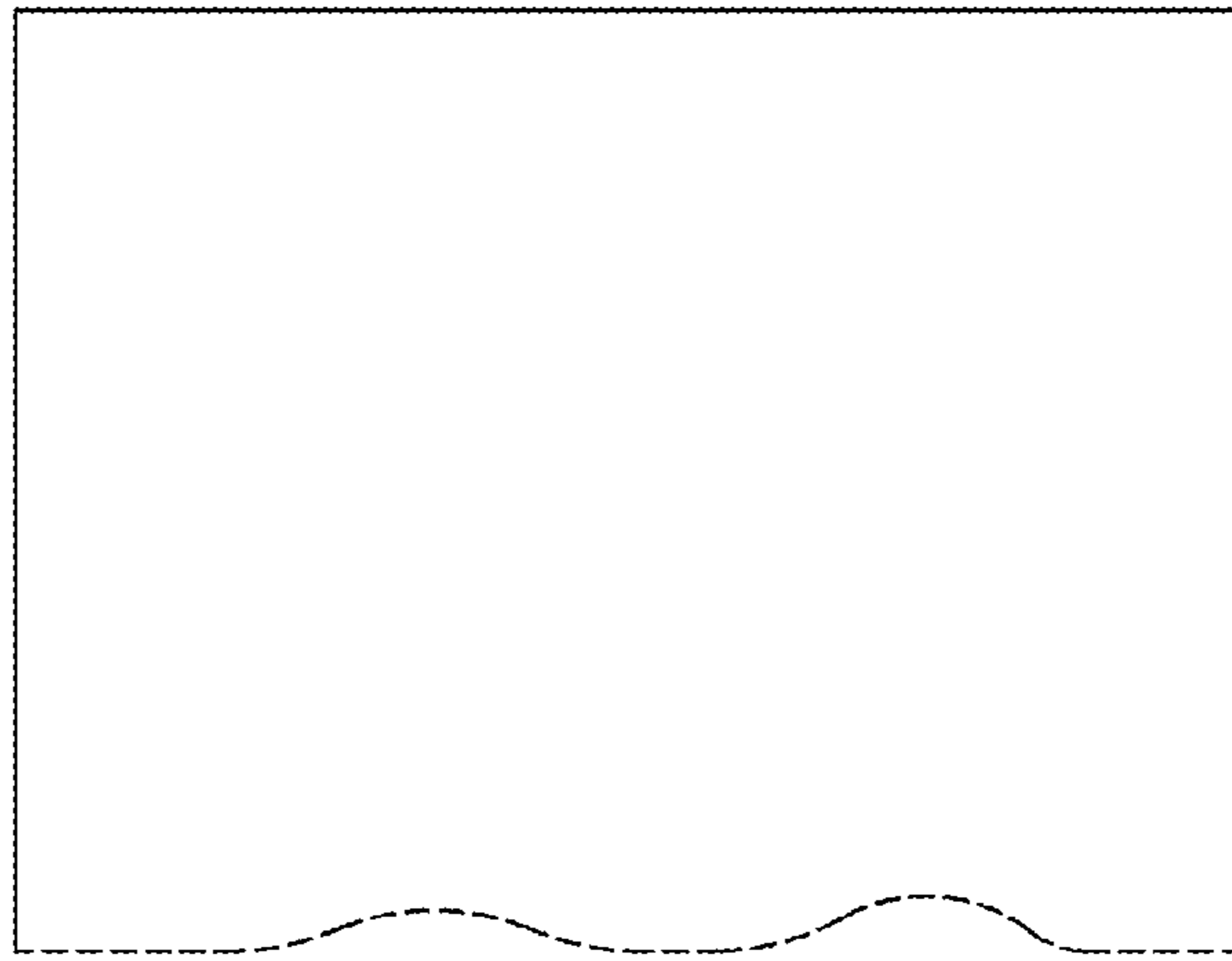


FIG. 6

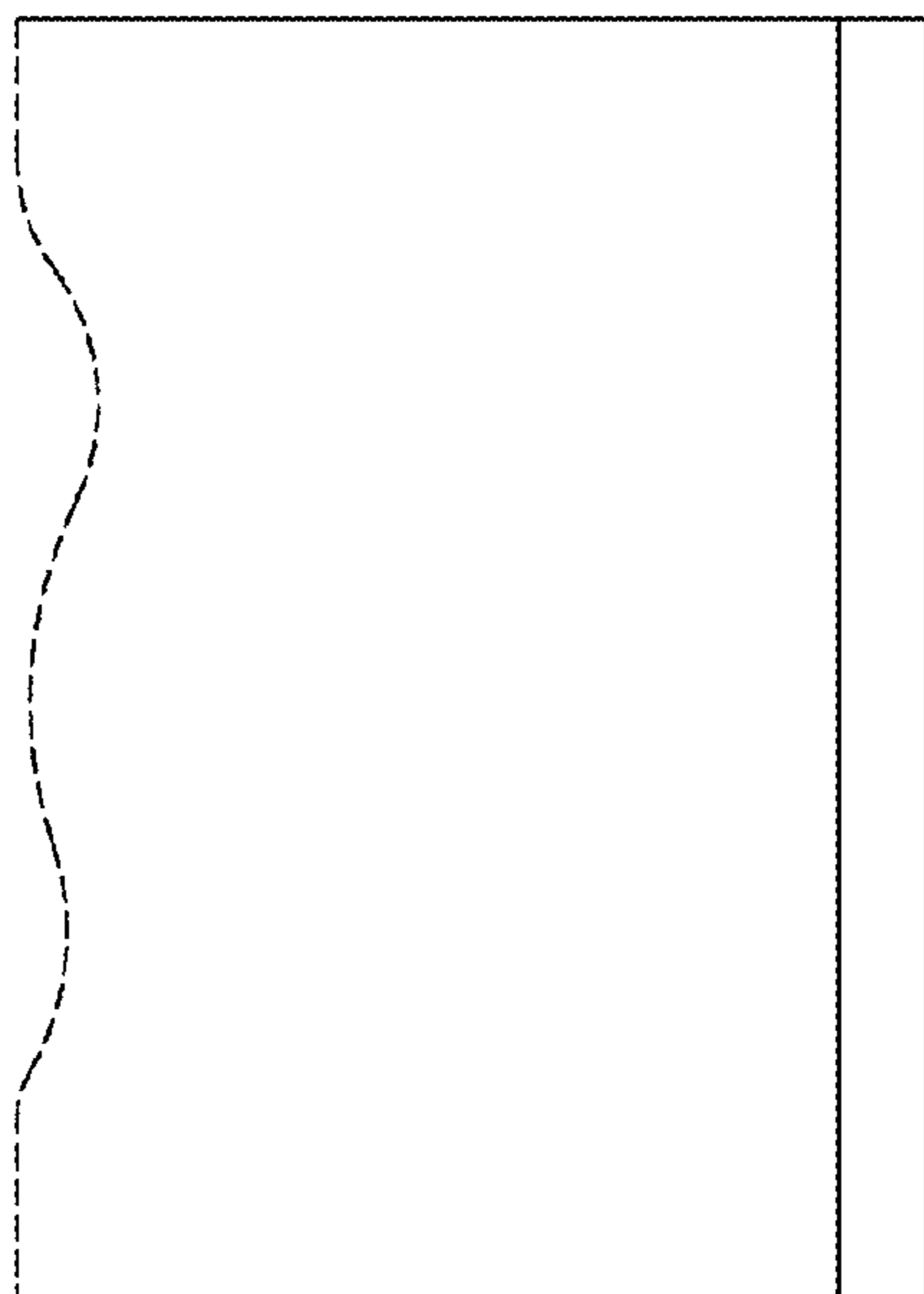


FIG. 7

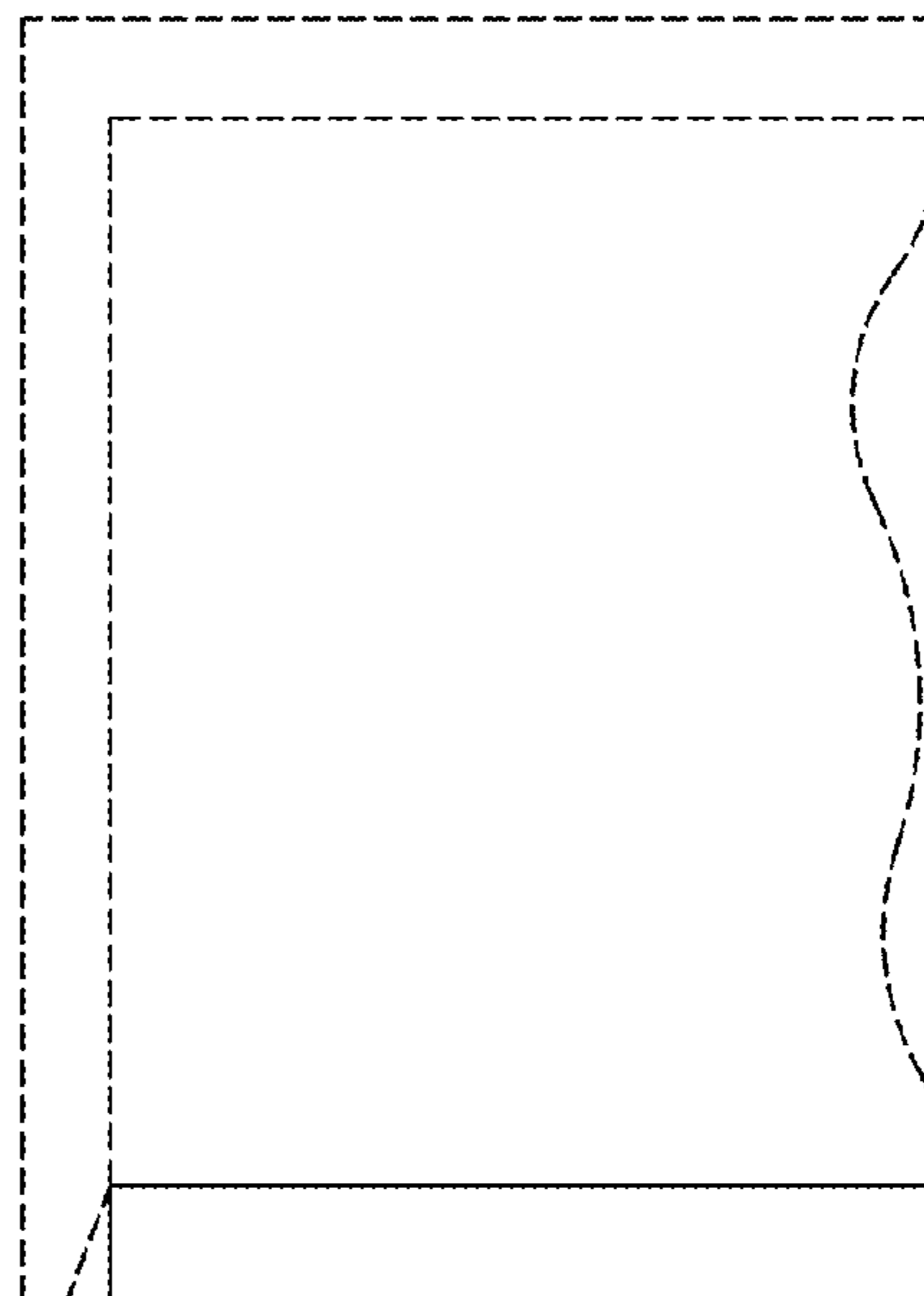


FIG. 8

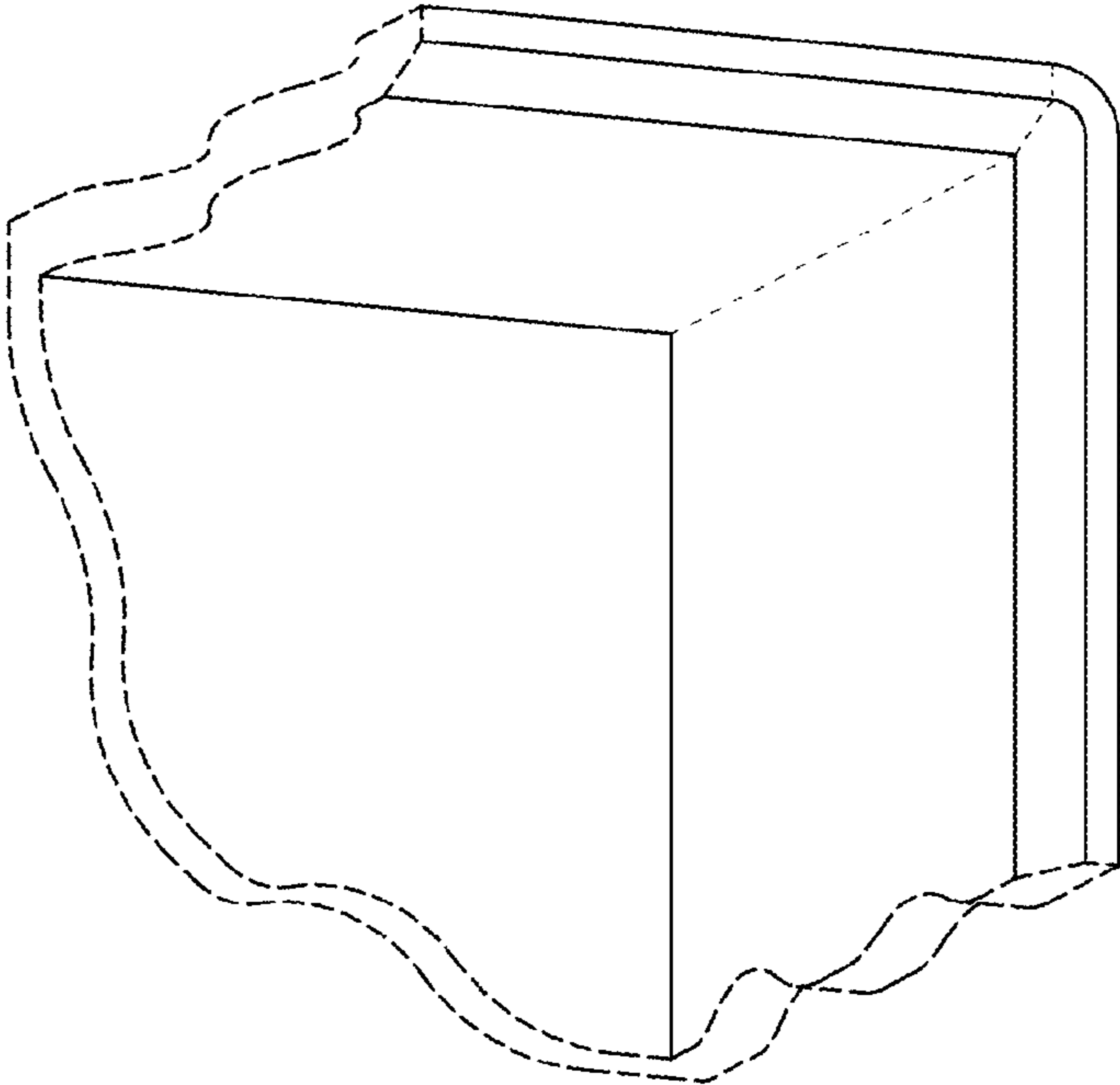


FIG. 9

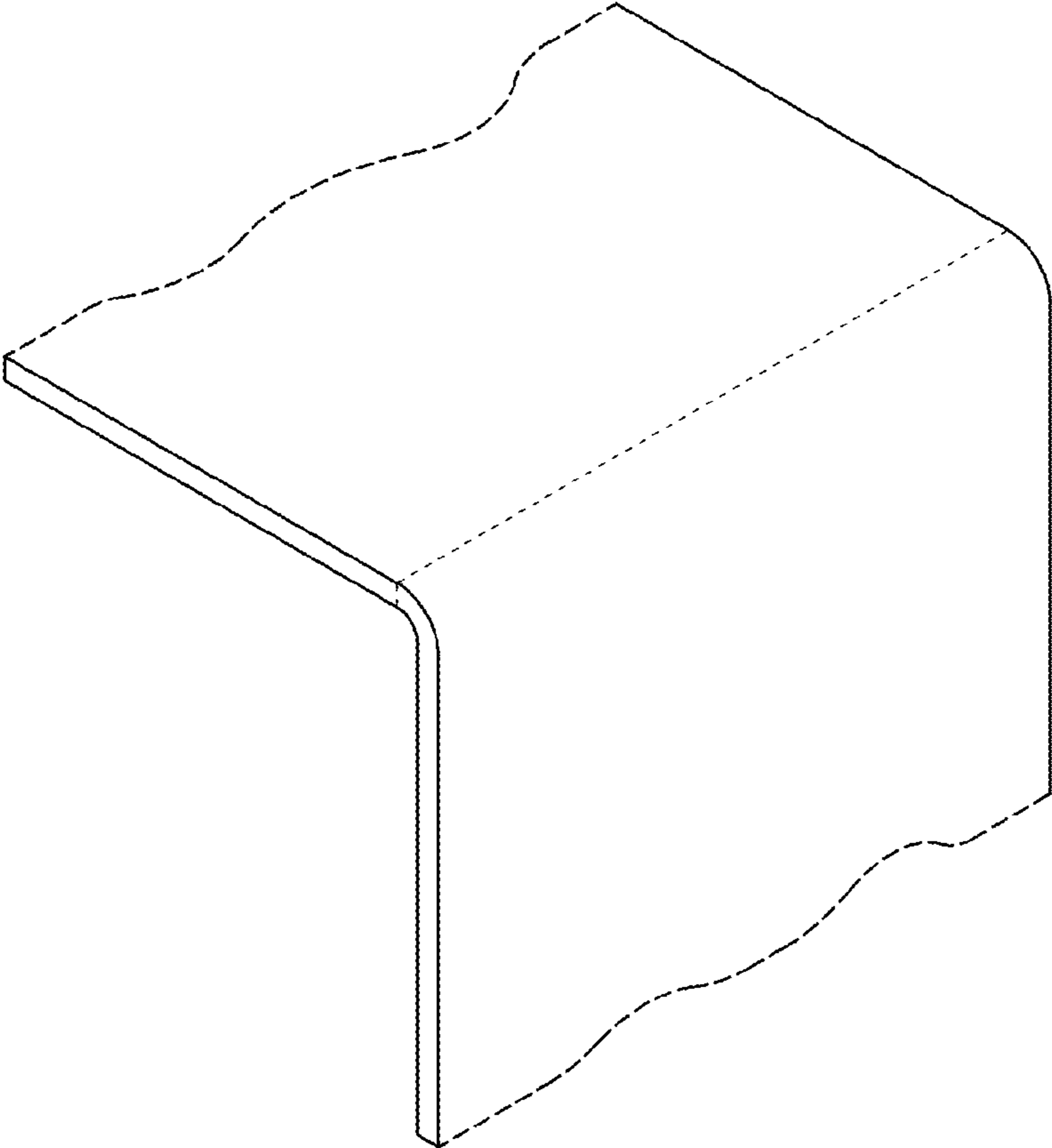


FIG. 10

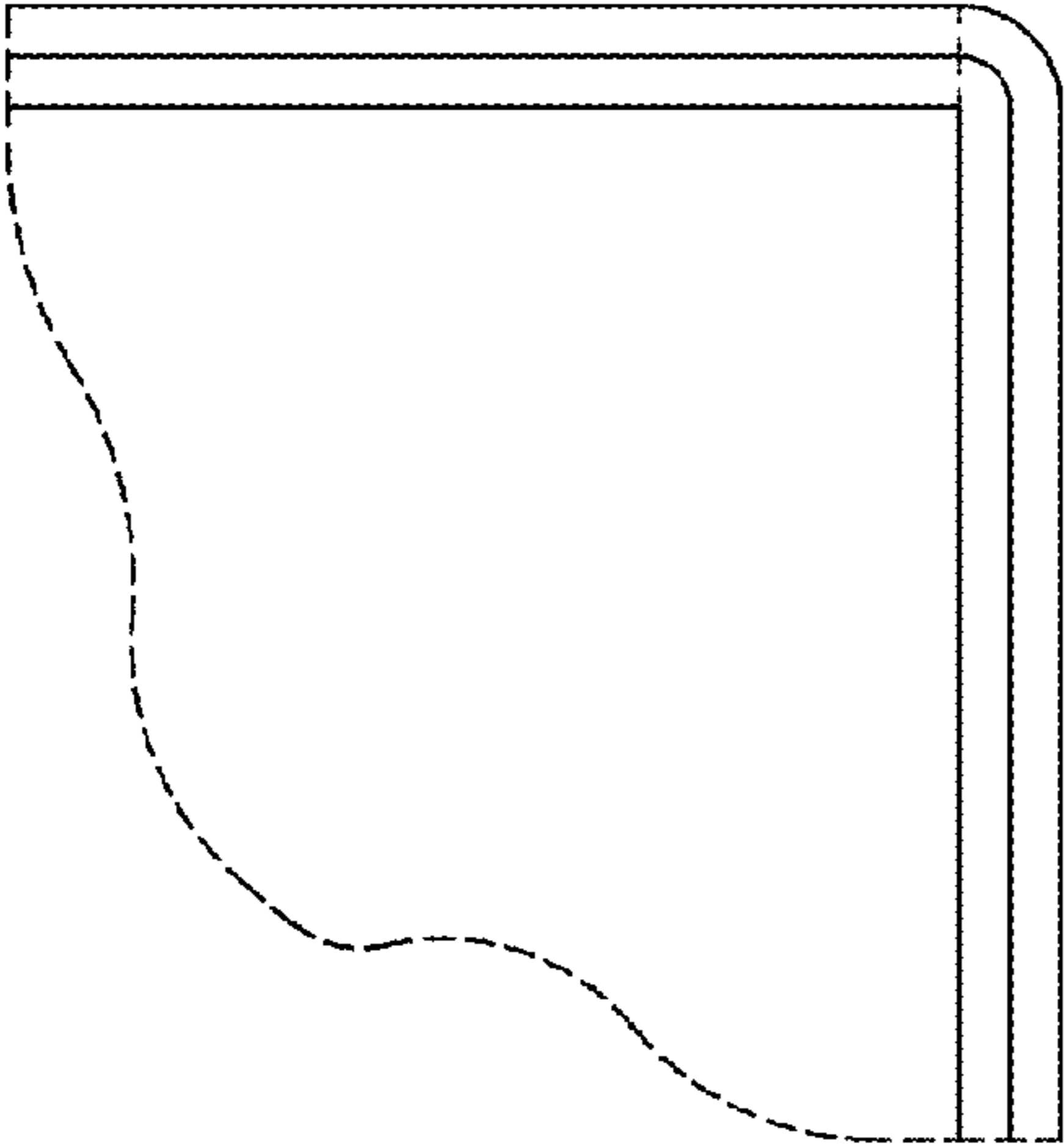


FIG. 11

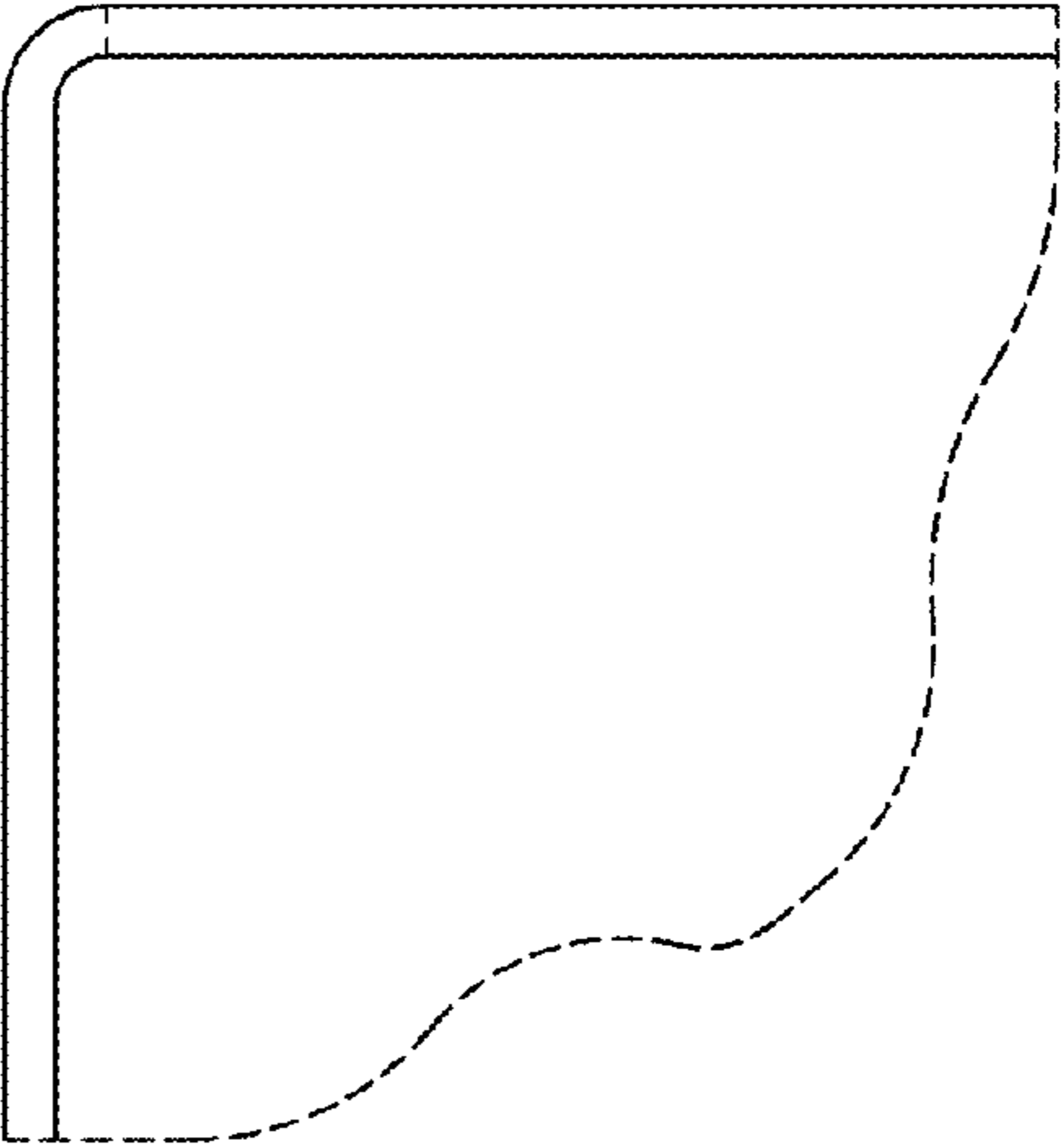


FIG. 12

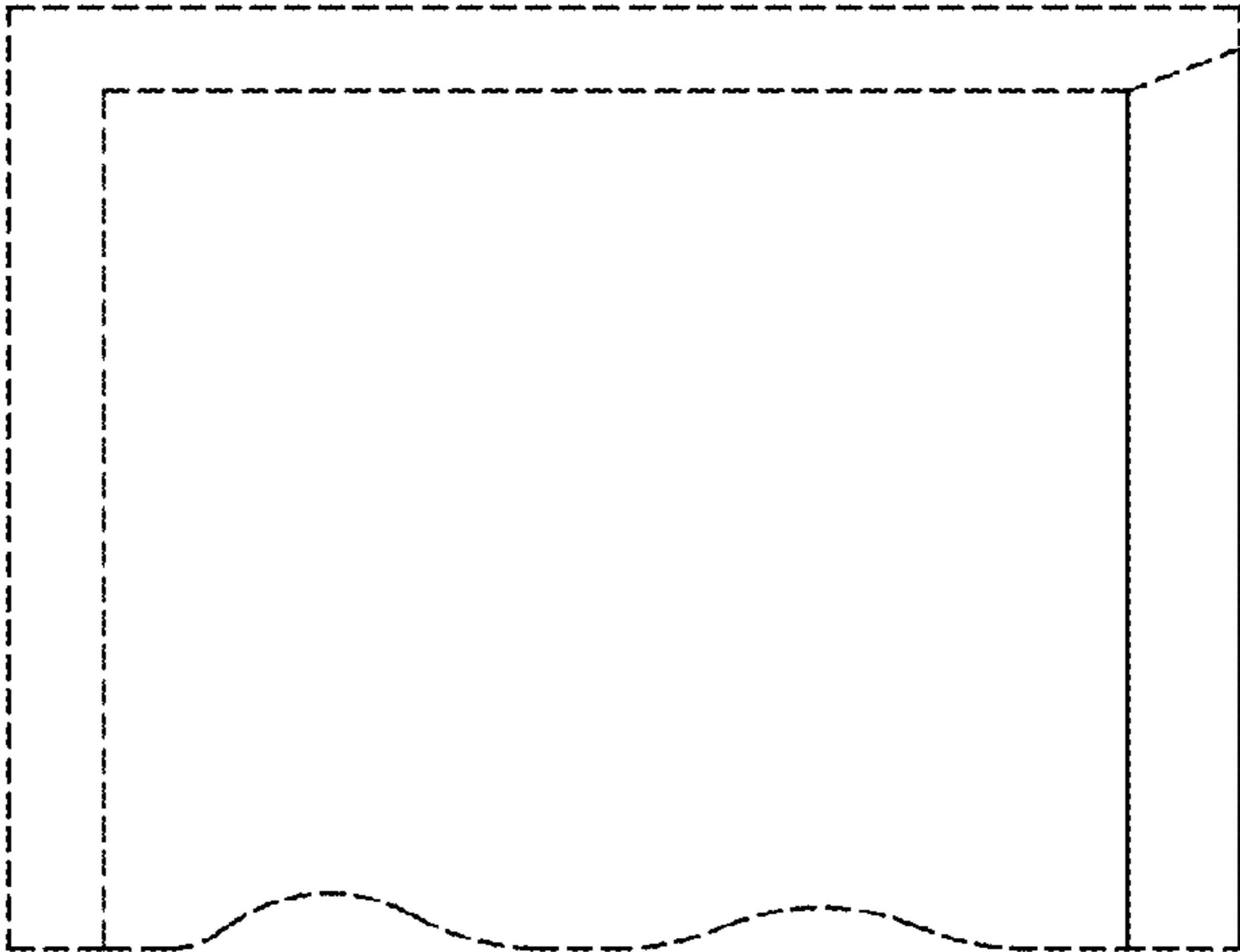


FIG. 13

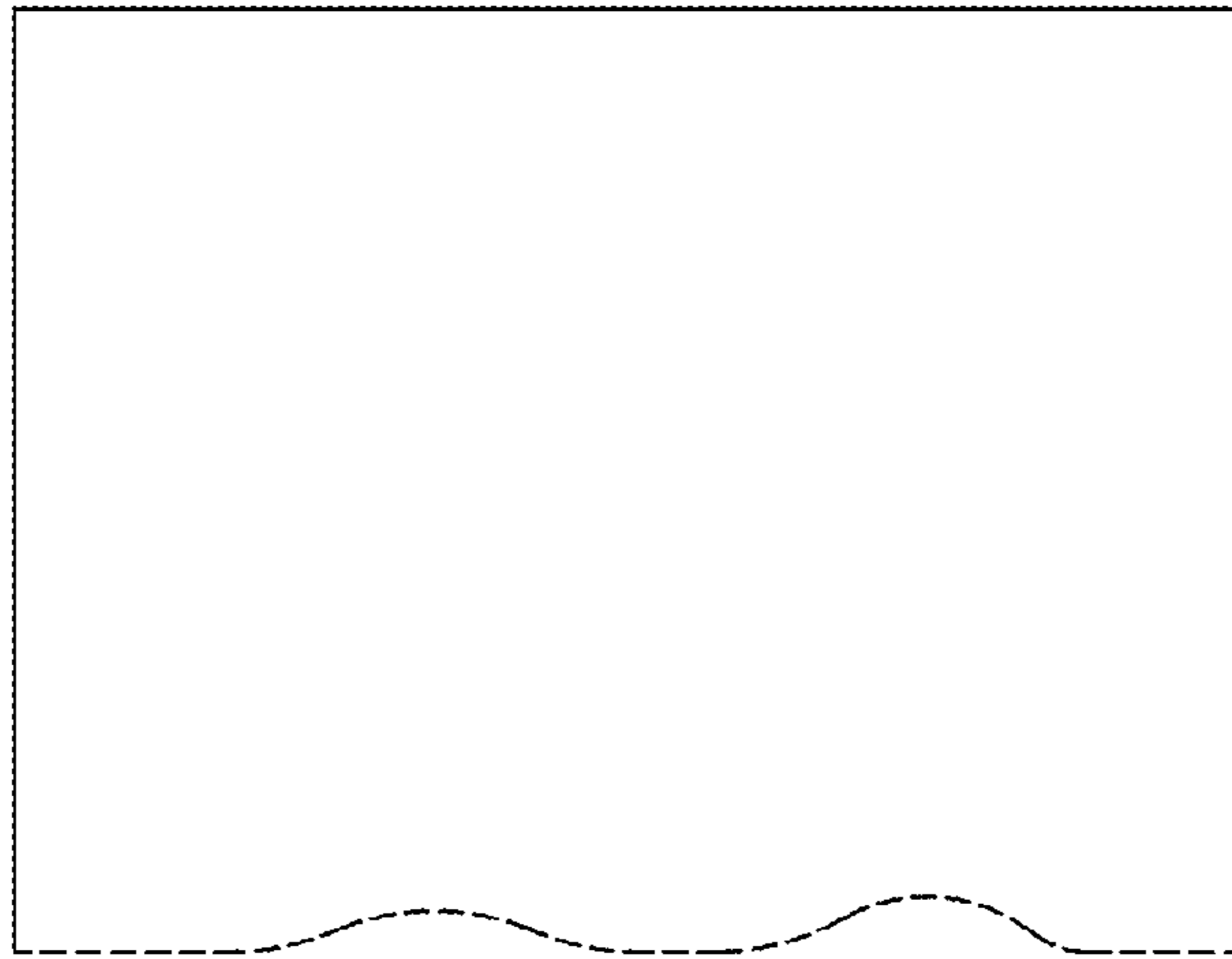


FIG. 14

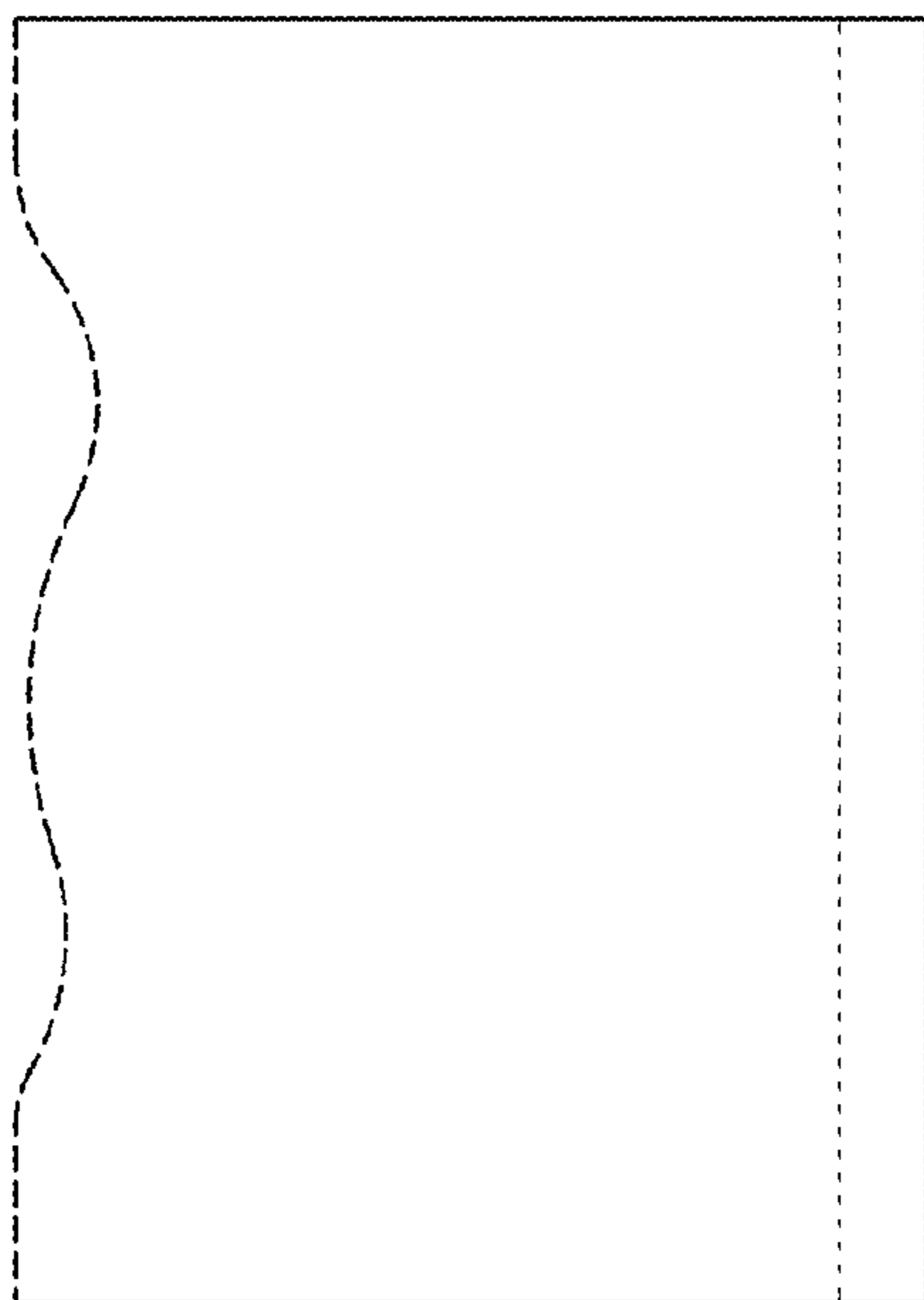


FIG. 15

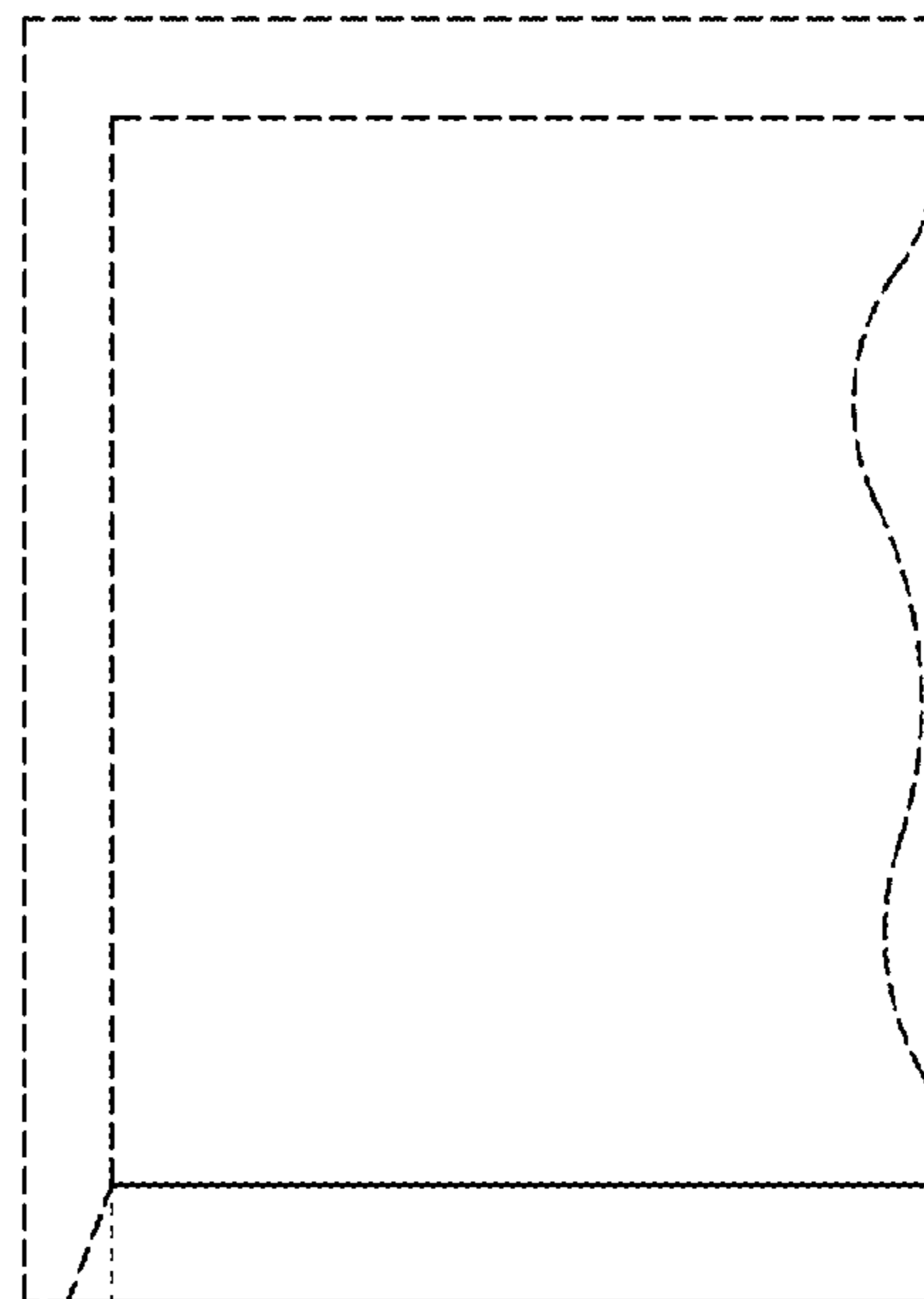


FIG. 16