



US00D718558S

(12) **United States Design Patent**
Chipman

(10) **Patent No.:** **US D718,558 S**

(45) **Date of Patent:** **** Dec. 2, 2014**

(54) **TABLE**

(71) Applicant: **Landscape Forms, Inc.**, Kalamazoo, MI (US)

(72) Inventor: **Robert G. Chipman**, Austin, TX (US)

(73) Assignee: **Landscape Forms, Inc.**, Kalamazoo, MI (US)

(**) Term: **14 Years**

(21) Appl. No.: **29/452,501**

(22) Filed: **Apr. 17, 2013**

(51) **LOC (10) Cl.** **06-03**

(52) **U.S. Cl.**
USPC **D6/692.3**

(58) **Field of Classification Search**

CPC A47B 2013/02; A47B 2013/025;
A47B 2013/026; A47B 2013/027; A47B
2200/0021; A47B 2200/0023
USPC D6/691.4, 692.3, 692.4, 708.17, 708,
D6/708.23, 692; 108/152, 153.1, 156, 161,
108/150; 248/188, 188.1, 188.7
See application file for complete search history.

(56) **References Cited**

U.S. PATENT DOCUMENTS

1,952,665 A * 3/1934 Failey 108/150
3,347,509 A * 10/1967 Blink et al. 248/188.7
D279,634 S * 7/1985 Platner D6/487
4,941,413 A * 7/1990 Vanderminde 108/157.15
D368,193 S * 3/1996 Walters D6/486
D393,764 S * 4/1998 Hundertmark D6/498
D575,084 S * 8/2008 Jehs et al. D6/498
D579,239 S * 10/2008 Massaud D6/486

OTHER PUBLICATIONS

Eames Table Universal Base Round Outdoor, manufactured by Herman Miller, designed by Charles & Ray Eams, printout available

online on Jan. 29, 2013 at: <http://www.yliving.com/herman-miller-eames-dining-table-round-top-universal-base-outdoor.html>, 3 pages.

Inox Table-Round, manufactured by Design Within Reach, printout available online on Jan. 29, 2013 at: <http://www.dwr.com/product/inox-table-round.do?sortBy=ourPicks>, 2 pages.

(Continued)

Primary Examiner — Janice Seeger

(74) *Attorney, Agent, or Firm* — Heslin Rothenberg Farley & Mesiti P.C.

(57) **CLAIM**

The ornamental design for a table, as shown and described.

DESCRIPTION

FIG. 1 is a perspective view of a first embodiment of the table of the present invention;

FIG. 2 is a front elevation view thereof, the right side elevation, left side elevation and rear elevation views being identical thereto;

FIG. 3 is a top plan view thereof;

FIG. 4 is a bottom plan view of the table top;

FIG. 5 is a top plan view of the legs of the table;

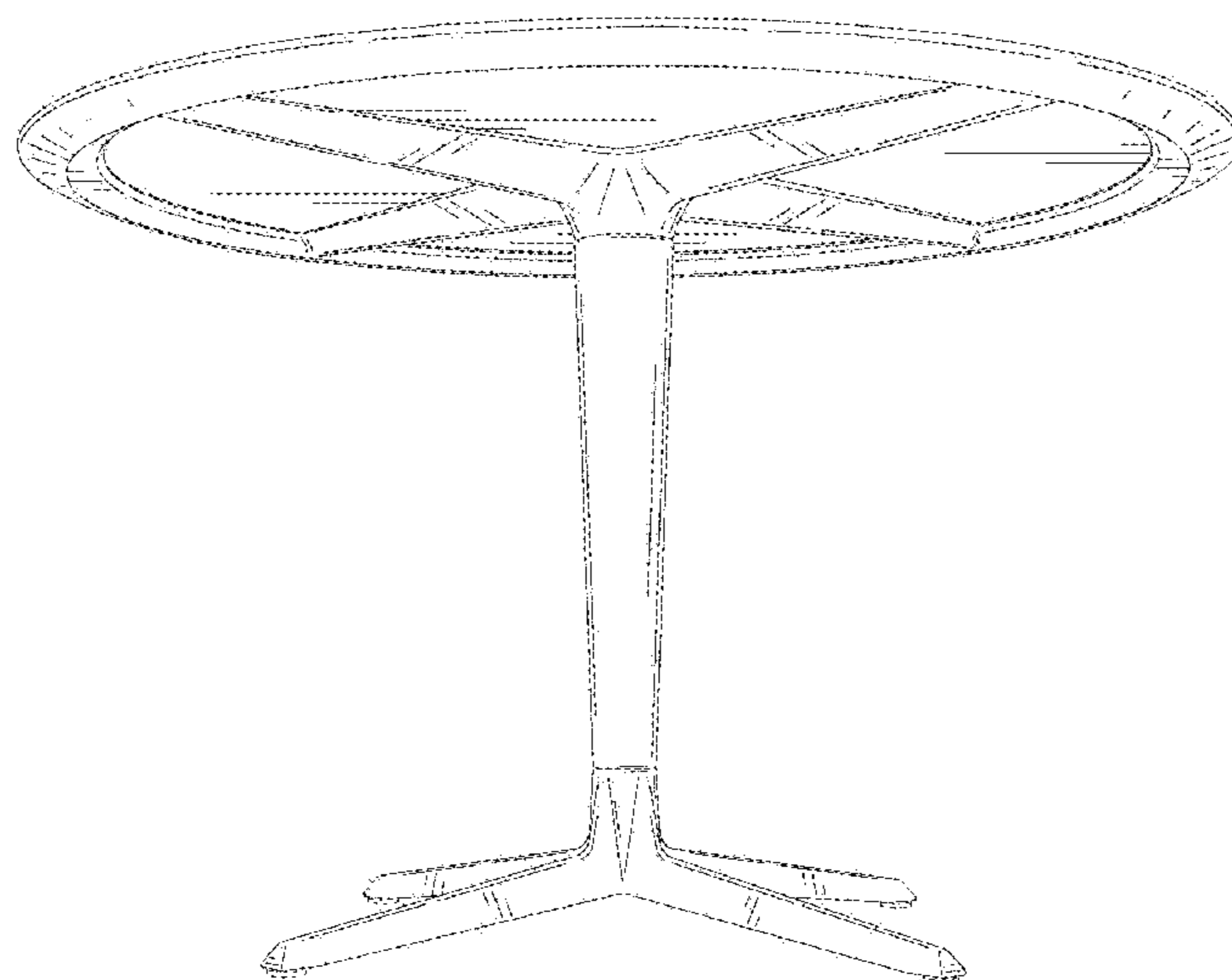
FIG. 6 is a perspective view of a second embodiment of the table; and,

FIG. 7 is a front elevation view thereof, the right side elevation, left side elevation and rear elevation views being identical thereto; and the top plan view, bottom plan view of the table top, and the top plan view of the table legs of the second embodiment being identical to the first embodiment.

The table top and legs are shown separately in FIGS. 4 and 5 for clarity of disclosure.

The broken lines are for environmental purposes only and form no part of the claimed design.

1 Claim, 7 Drawing Sheets



(56)

References Cited

OTHER PUBLICATIONS

Splash Round Tables, manufactured by Janus et Cie, printouts available online on Jan. 29, 2013 at: <http://www.janusetcie.com/contract/products/tables/dining-conference/splash-round-table-100-cm> and <http://www.janusetcie.com/contract/products/tables/dining-conference/hawai-round-dining-table-80-cm>, 2 pages.

Sprout Side Tables, manufactured by Blu Dot, printouts available online on Jan. 29, 2013 at: <http://www.bludot.com/modern-coffee-side-console-tables/sprout-coffee-table.html> and <http://www.bludot.com/modern-coffee-side-console-tables/sprout-side-table.html>, 4 pages.

Nelson Pedestal Table Outdoor, manufactured by Herman Miller, designed by George Nelson, printout available online on Jan. 29,

2013 at: <http://www.hermanmiller.com/products/desking-tables-and-furniture/outdoor-tables/nelson-pedestal-table-outdoor.html>, 2 pages.

Ray Coffee and Dining Tables, manufactured by HAY, designed by Jakob Wagner, printouts available online on Jan. 29, 2013 at: http://www.utilitydesign.co.uk/mall/productpage.cfm/UtilityDesign/_UT61121 and <http://www.utilitydesign.co.uk/mall/productpage.cfm/UtilityDesign/UT61122/123303/>

Hay%20Ray%20Coffee%20Table, 4 pages.

Contemporary Garden Pedestal Table, manufactured by Alias, designed by Cross By Alfredo Haberli, printout available online on Jan. 29, 2013 at: <http://www.archiexpo.com/prod/alias/contemporary-garden-pedestal-tables-11279-668388.html>, 1 page.

* cited by examiner

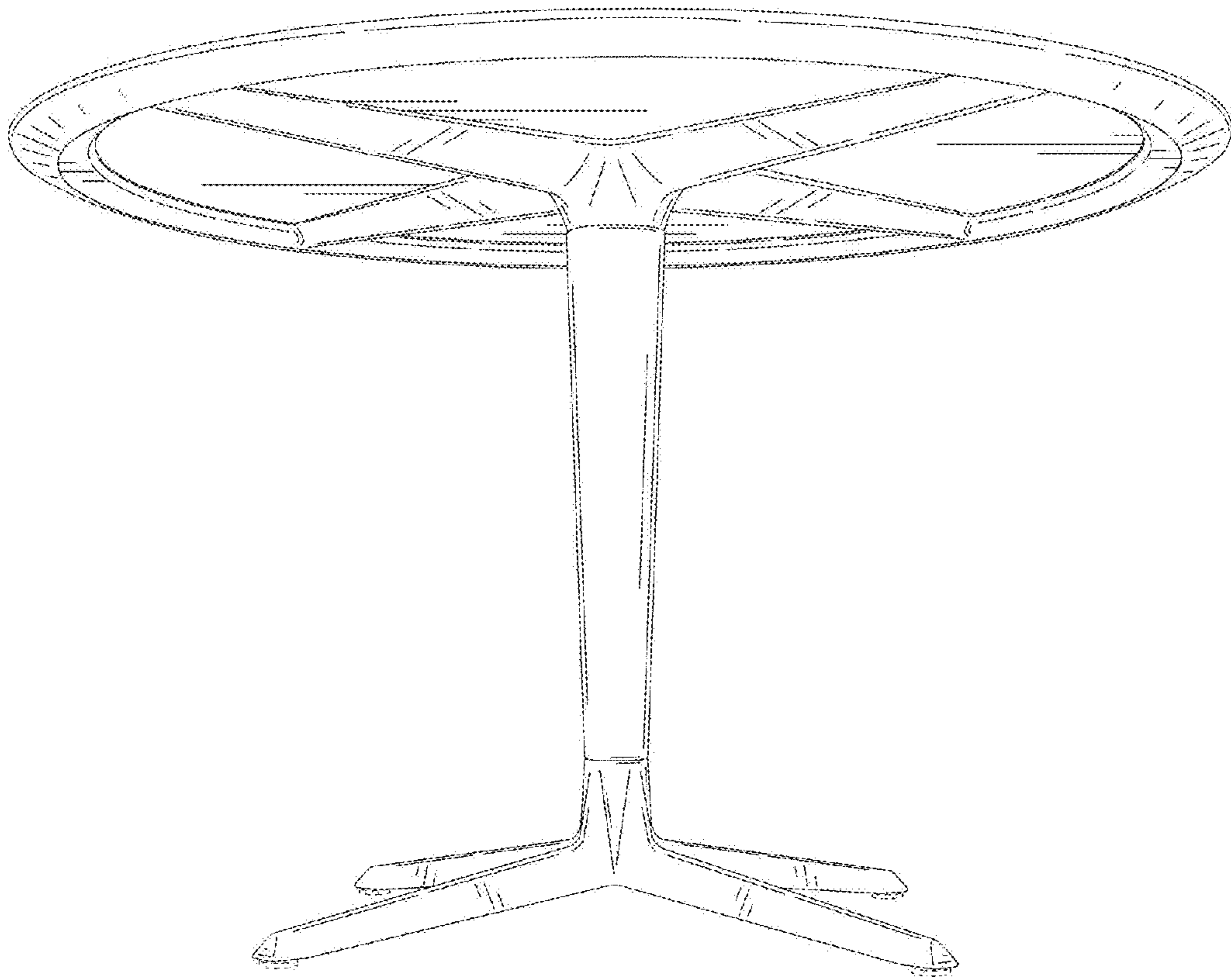


FIG. 1

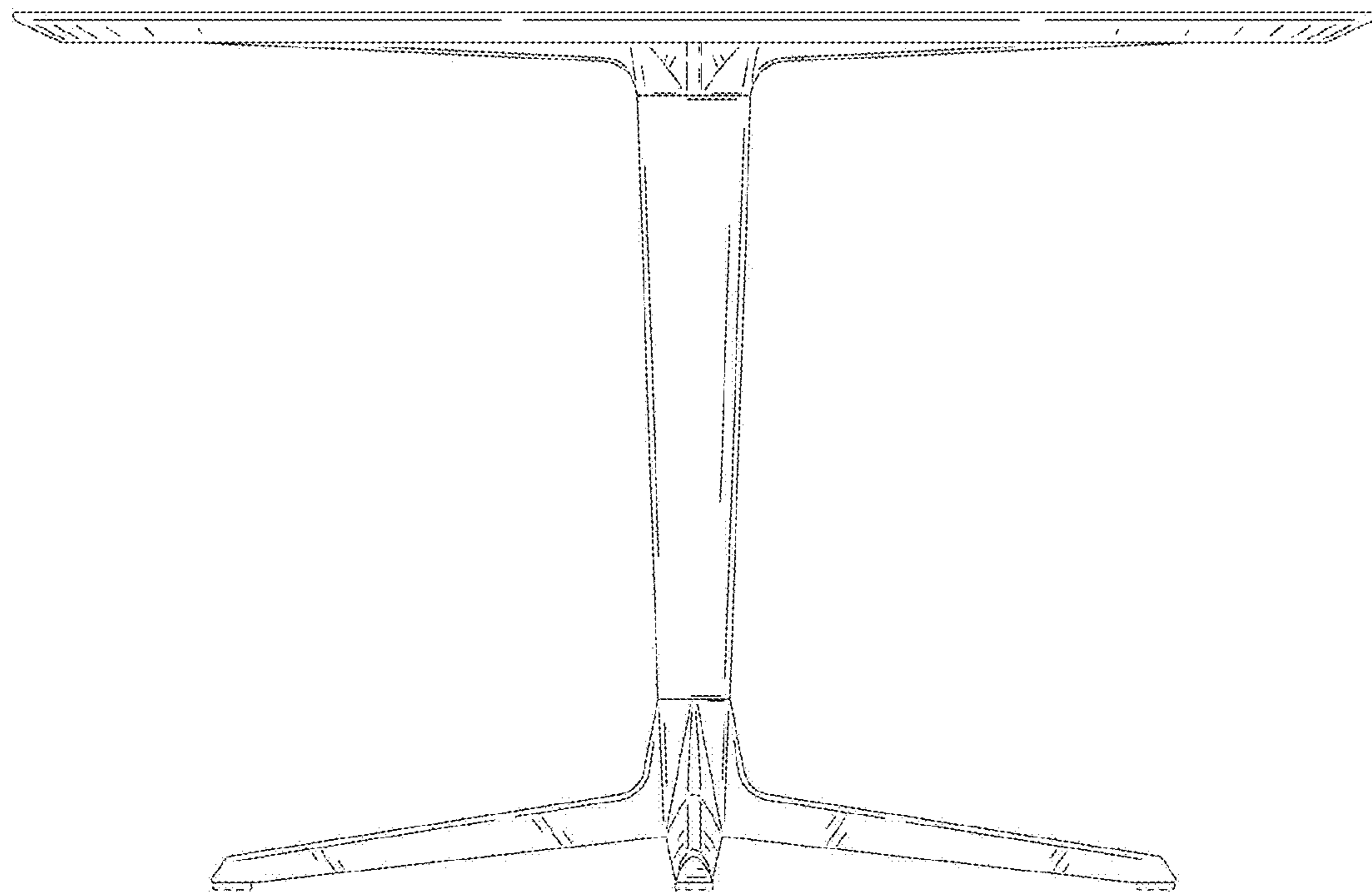


FIG. 2

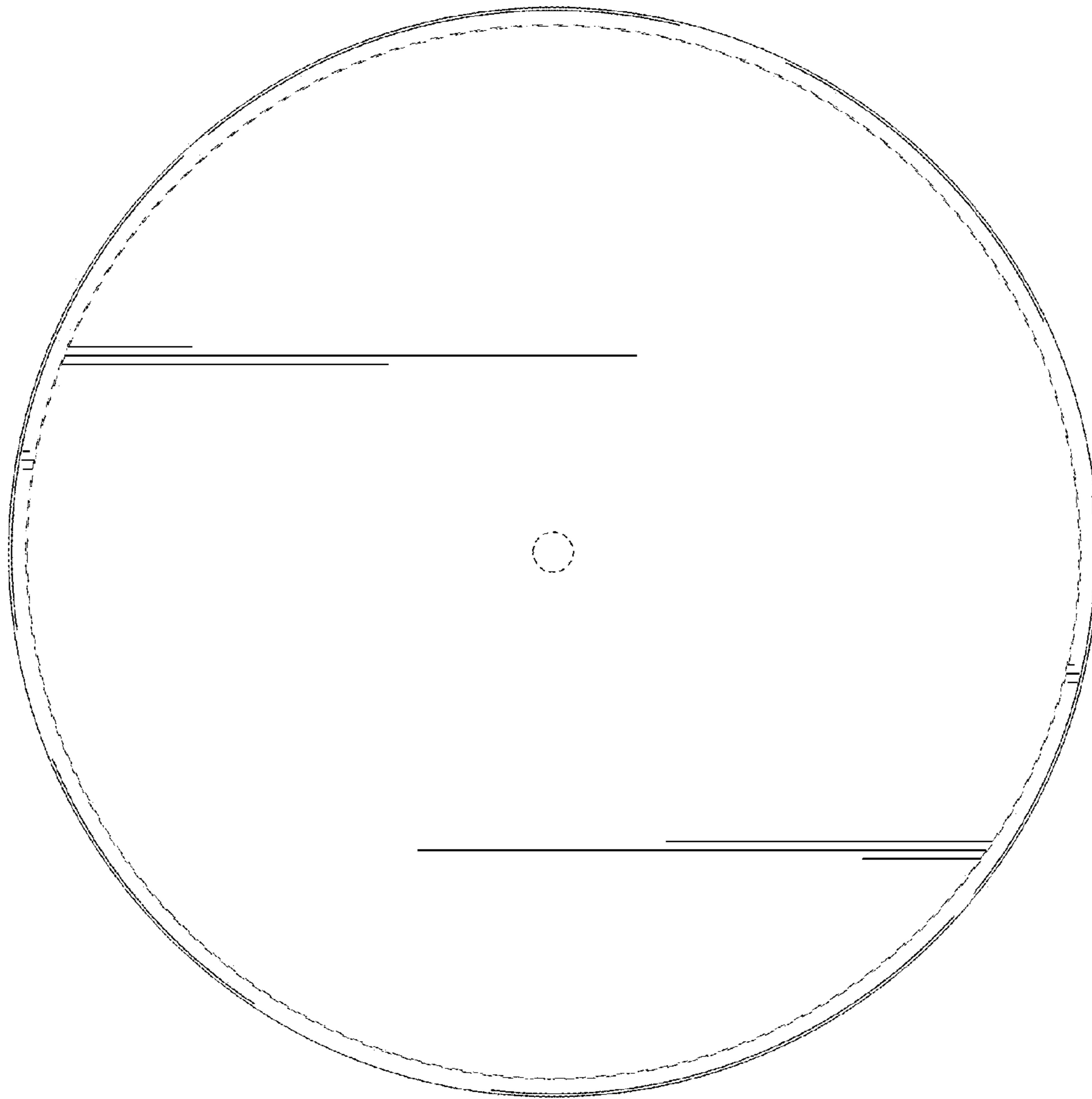


FIG. 3

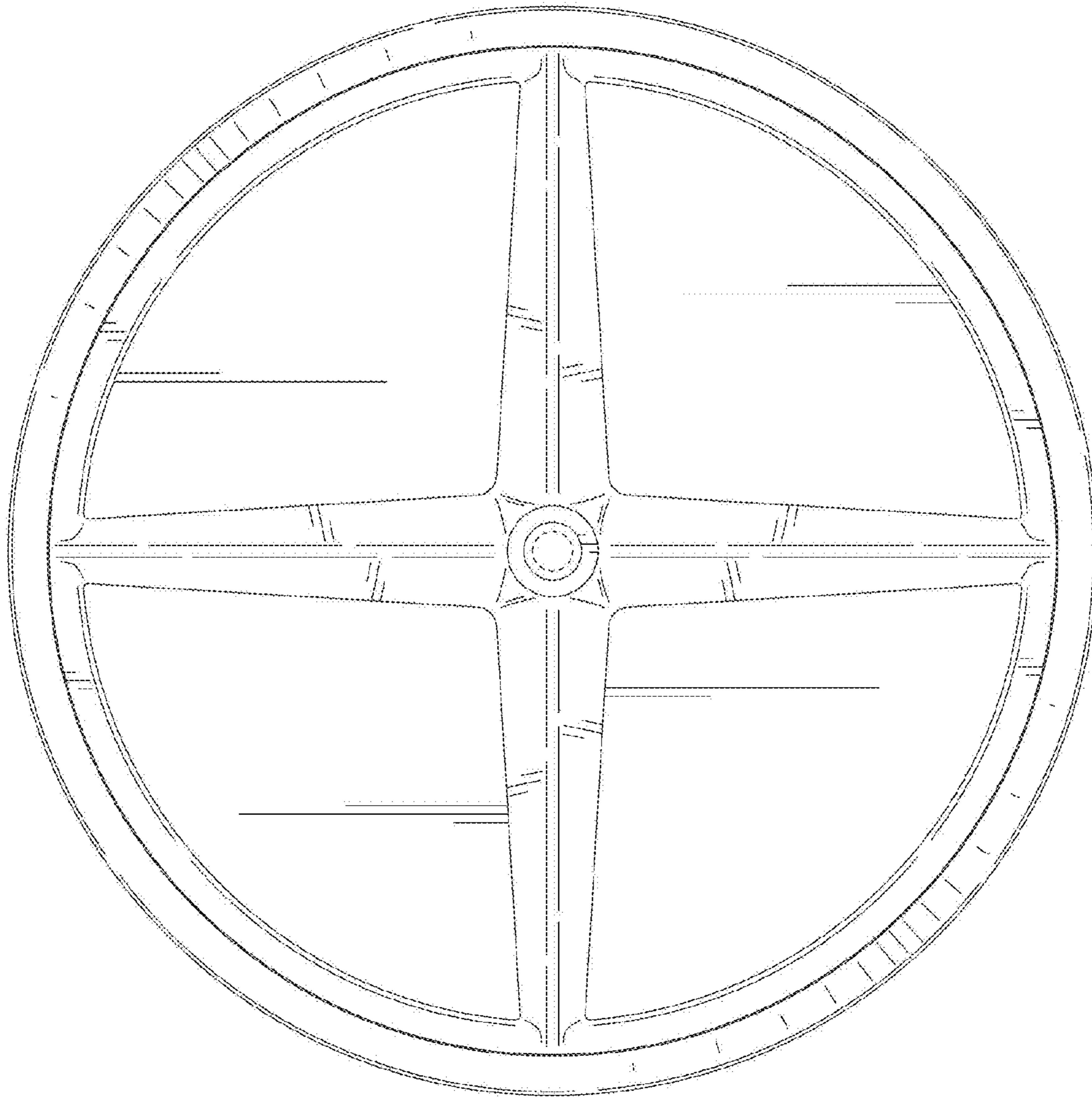


FIG. 4

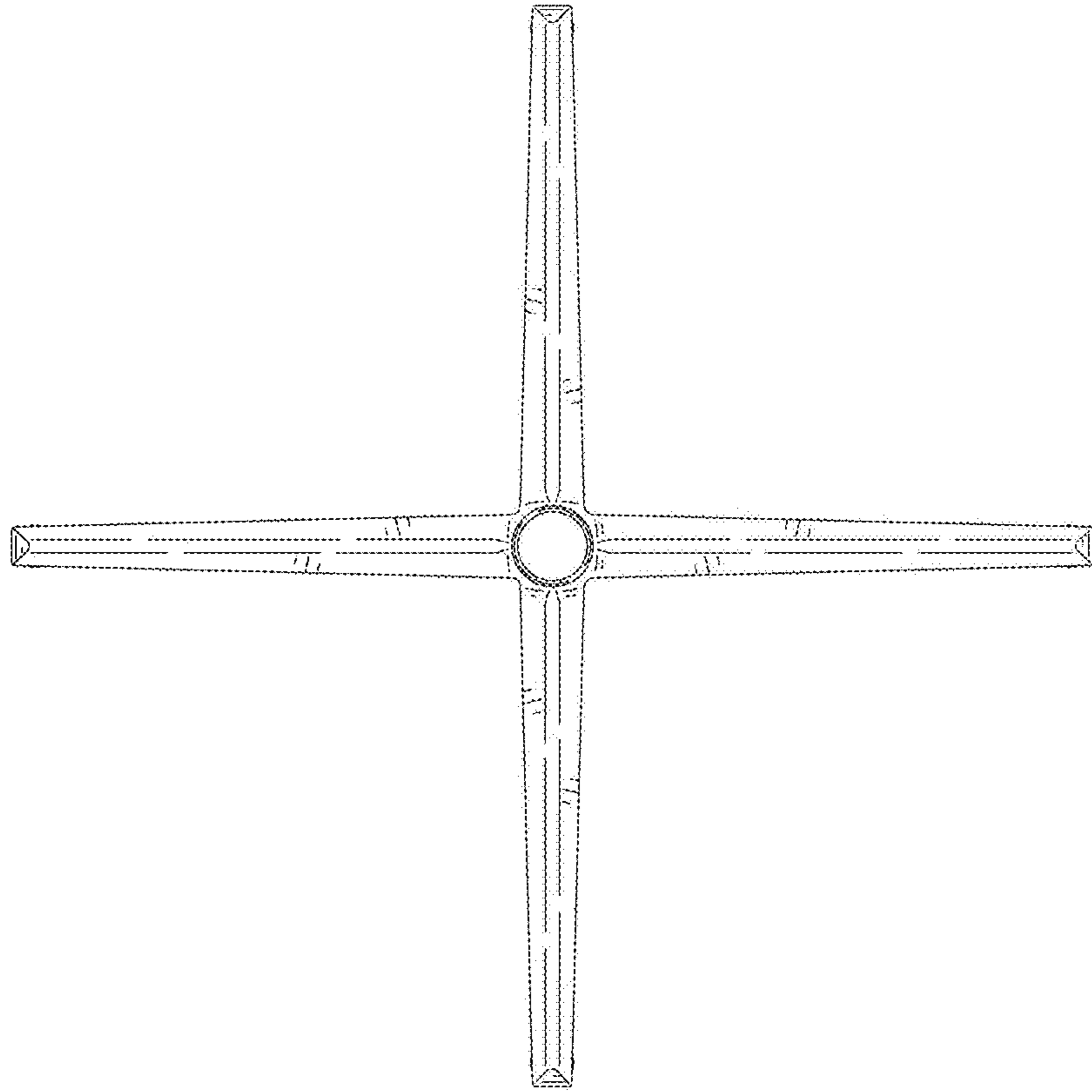


FIG. 5

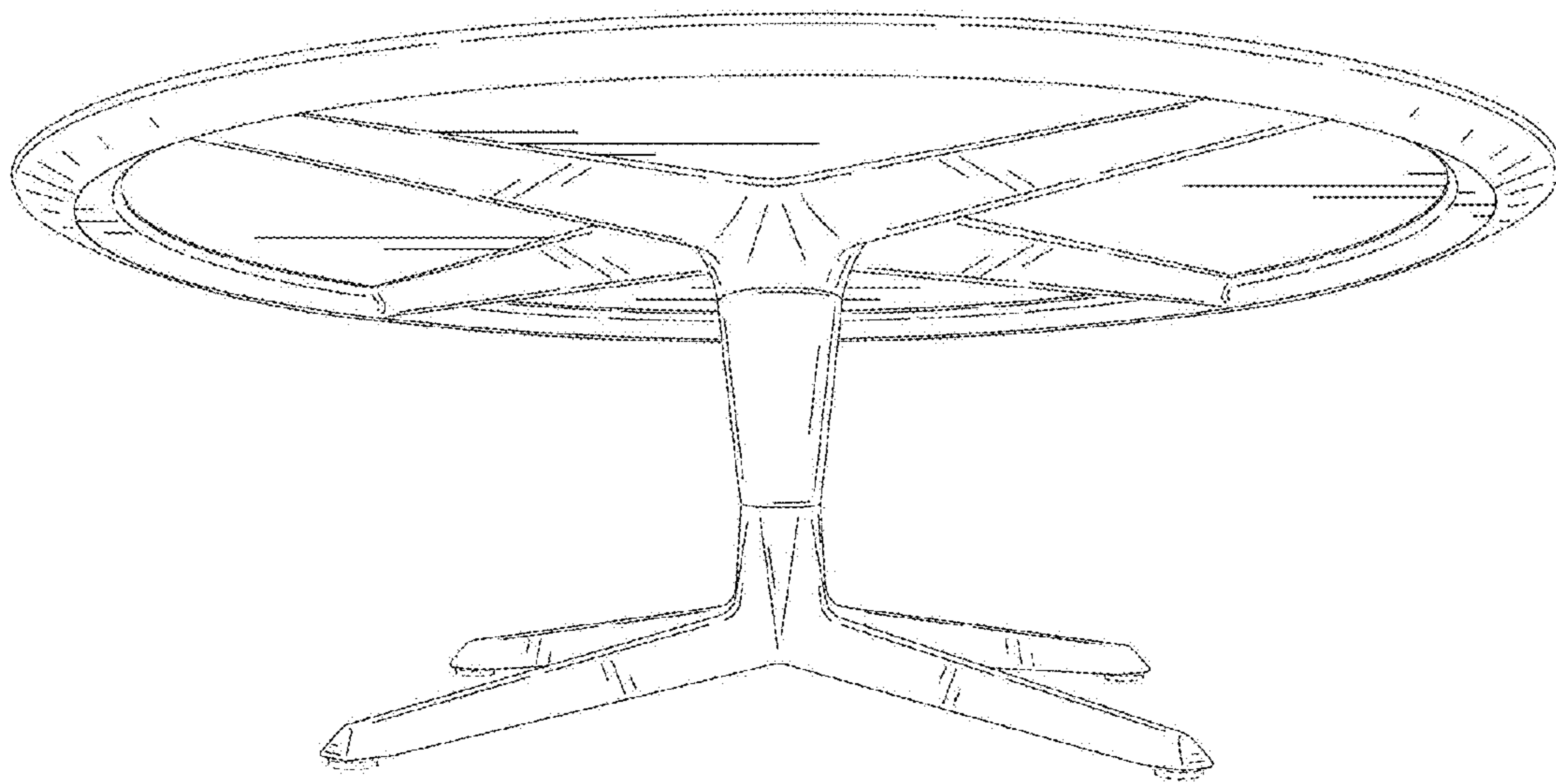


FIG. 6

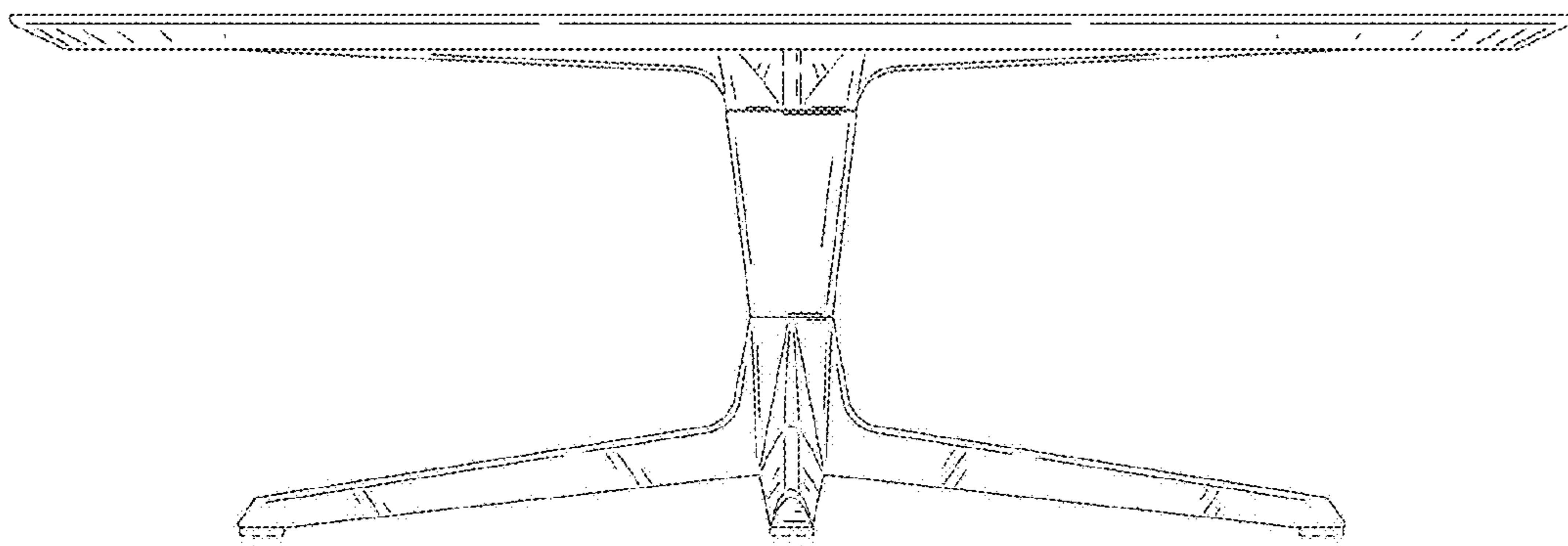


FIG. 7