



US00D718556S

(12) **United States Design Patent**
Kreuzer

(10) **Patent No.:** **US D718,556 S**

(45) **Date of Patent:** **** Dec. 2, 2014**

(54) **FOLDING ADHESIVE-MOUNTED SHELF**

(71) Applicant: **Eric John Kreuzer**, Temple Terrace, FL
(US)

(72) Inventor: **Eric John Kreuzer**, Temple Terrace, FL
(US)

(**) Term: **14 Years**

(21) Appl. No.: **29/433,749**

(22) Filed: **Oct. 4, 2012**

(51) **LOC (10) Cl.** **06-04**

(52) **U.S. Cl.**
USPC **D6/574**

(58) **Field of Classification Search**
USPC D6/518–524, 548–550, 574, 707.22;
D8/300, 303, 315–321, 349, 354, 363,
D8/373, 380; 108/28–29; 211/13.1, 16,
211/60.1, 100, 86.01, 87.01, 88.01, 88.04,
211/105.1–105.2, 123, 182, 181.1;
248/176, 176.1, 251, 302, 309.1;
16/110.1, 412, 415; 242/570, 590,
242/595–598

See application file for complete search history.

(56) **References Cited**

U.S. PATENT DOCUMENTS

2,556,105	A	6/1951	Rhett	
3,799,072	A	3/1974	Slaboden	
3,901,165	A	8/1975	Schlesinger	
4,129,080	A	12/1978	Vall	
4,187,787	A	2/1980	Nakatsu	
4,523,526	A	6/1985	O'Neill	
D294,548	S *	3/1988	Wallace	D6/567
D314,115	S *	1/1991	Murphy	D6/574
5,052,648	A	10/1991	Landau	

5,427,344	A	6/1995	Beauchemin	
6,637,609	B2	10/2003	Stevens	
7,320,453	B2	1/2008	Berlyn et al.	
D594,261	S *	6/2009	Maxwell	D6/574
D598,228	S *	8/2009	West	D6/574
D604,981	S *	12/2009	Frank et al.	D6/574
D614,428	S *	4/2010	Bauchet et al.	D6/574
D620,737	S *	8/2010	Nakaoka et al.	D6/574
D678,699	S *	3/2013	Stravitz	D6/707.22

* cited by examiner

Primary Examiner — Brian N Vinson

(74) *Attorney, Agent, or Firm* — Larson & Larson, P.A.;
Frank Liebenow; Justin P. Miller

(57) **CLAIM**

I claim the ornamental design for a folding adhesive-mounted shelf, as shown and described.

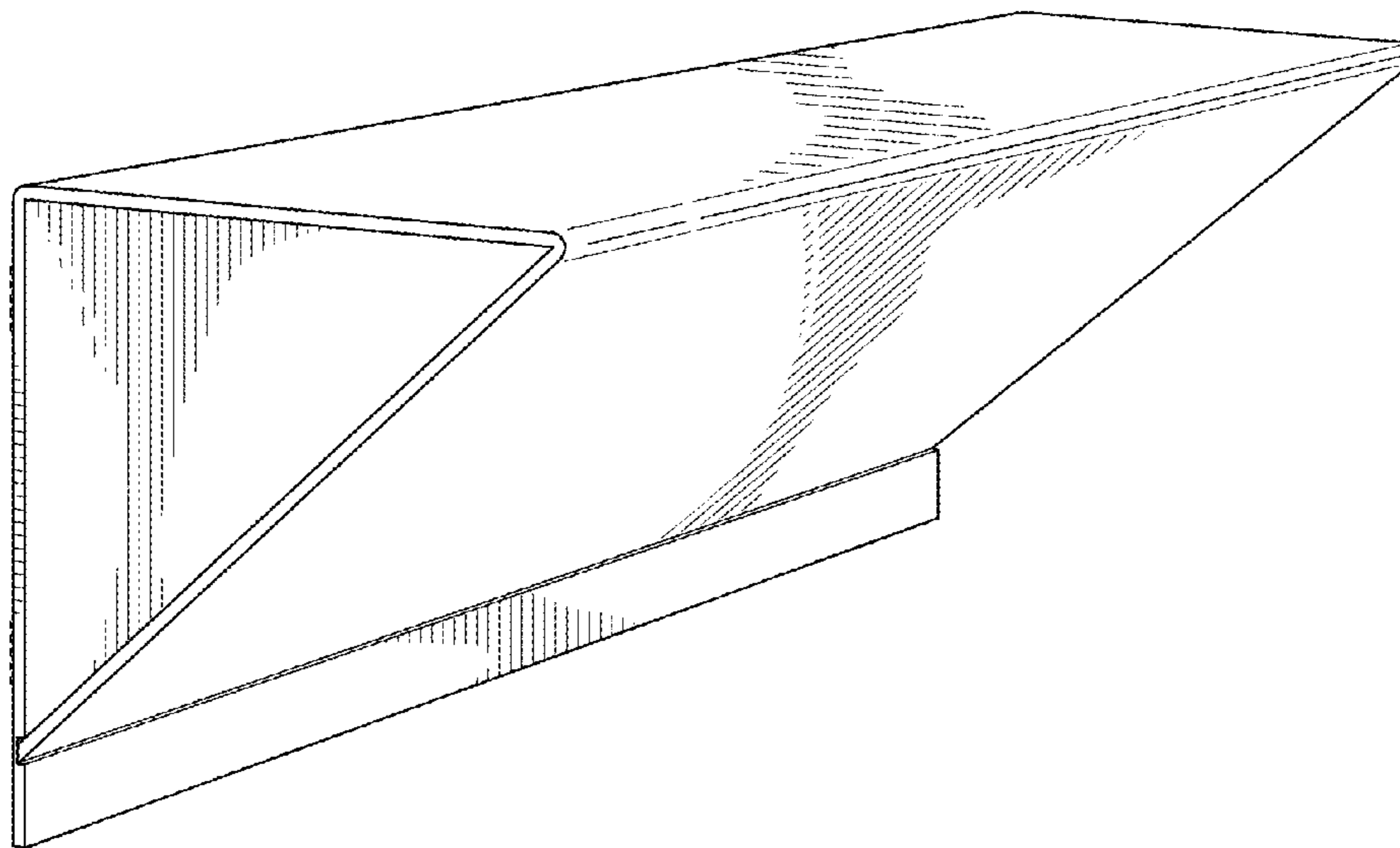
DESCRIPTION

FIG. 1 is a perspective view of the folding adhesive-mounted shelf showing my new design;
FIG. 2 is a front view thereof;
FIG. 3 is a back view thereof;
FIG. 4 is a right side view thereof;
FIG. 5 is a left side view thereof;
FIG. 6 is a top plan view thereof;
FIG. 7 is a bottom plan view thereof; and,
FIG. 8 is a perspective view thereof, showing an exemplary cutout of a company name.

The broken lines depicting adhesive tape in FIGS. 3-7 are for illustrative purposes only and form no part of the claimed design.

The broken lines depicting an exemplary cutout in FIG. 8 are for illustrative purposes only and form no part of the claimed design.

1 Claim, 7 Drawing Sheets



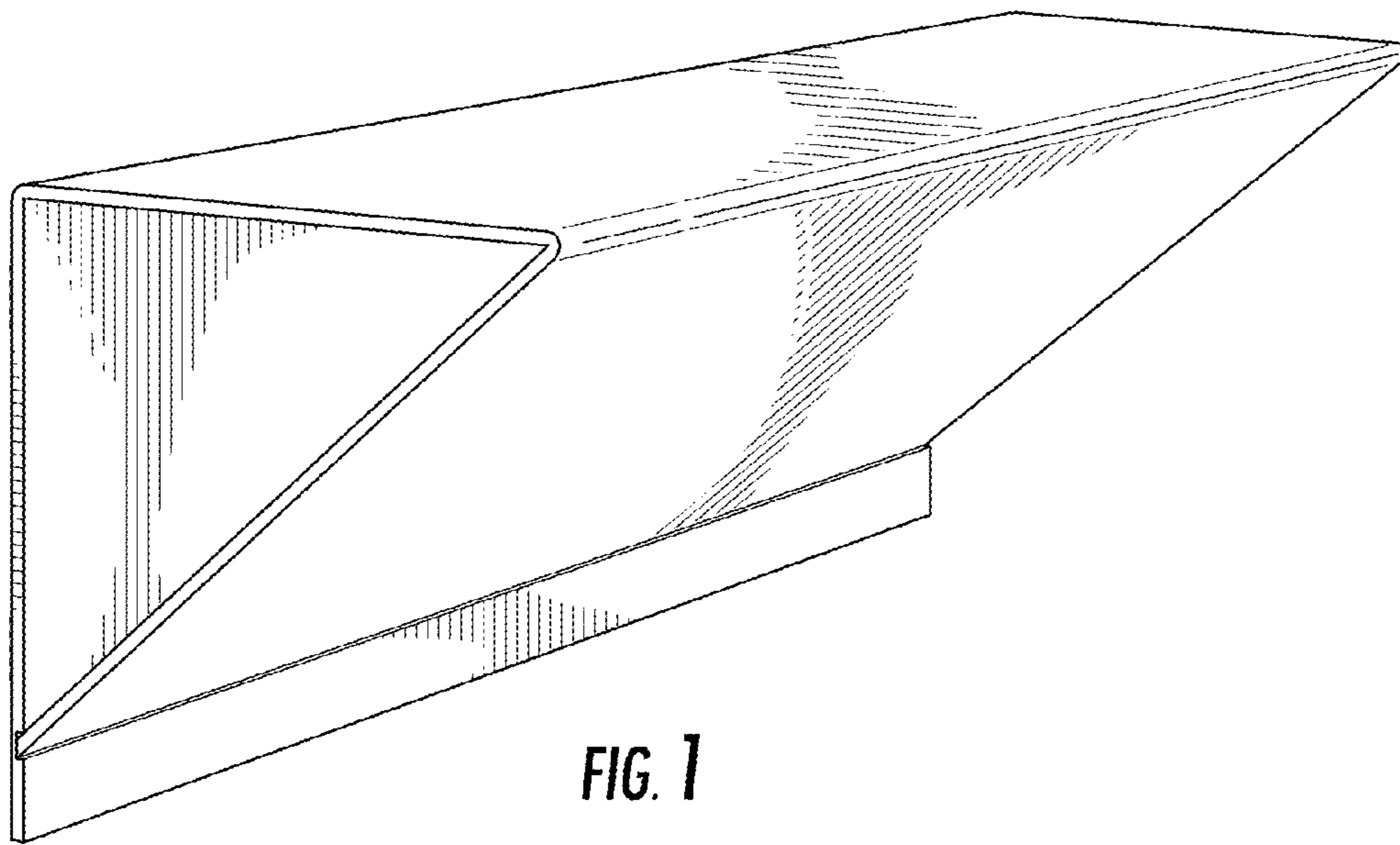


FIG. 1

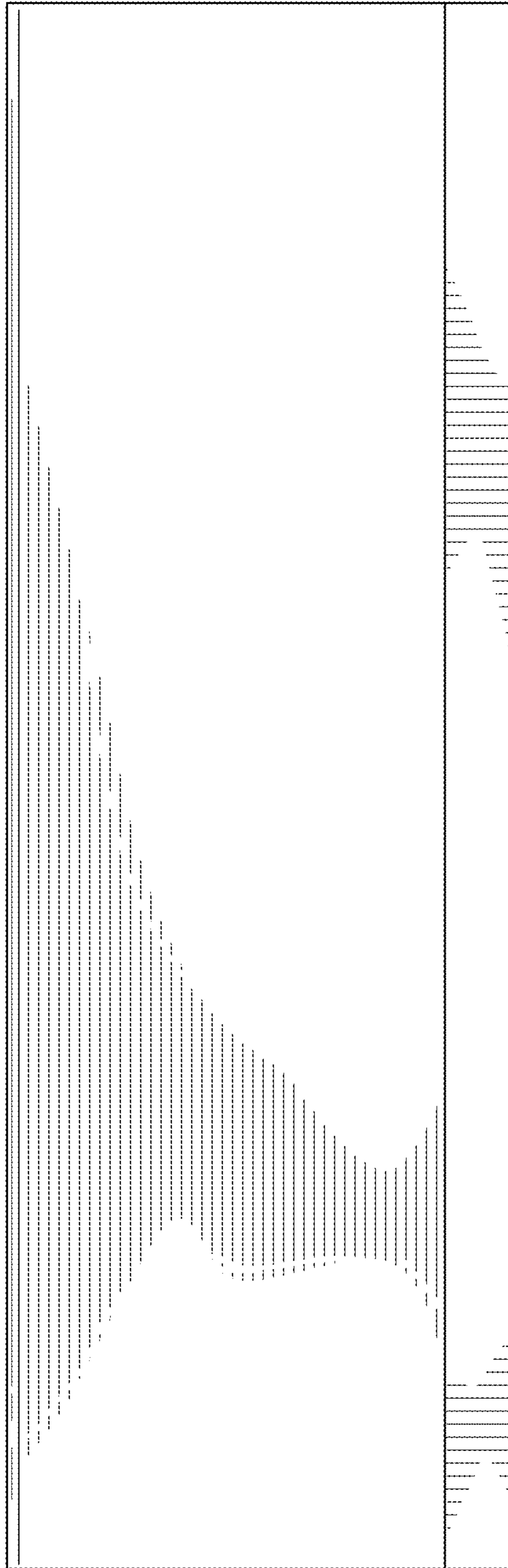


FIG. 2

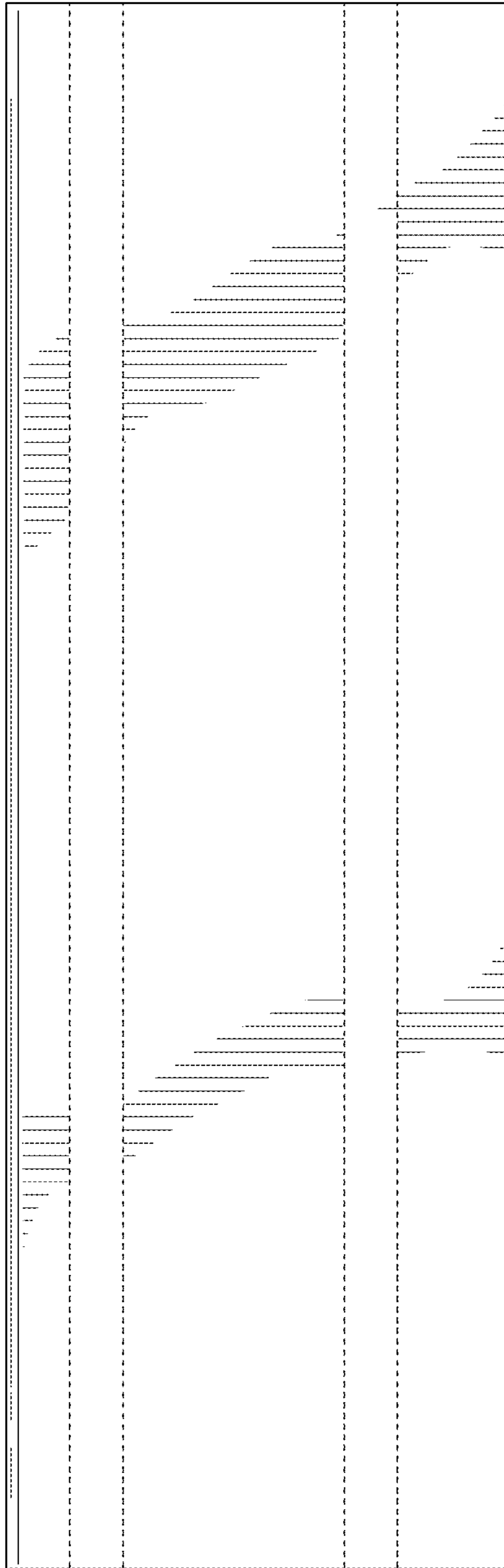


FIG. 3

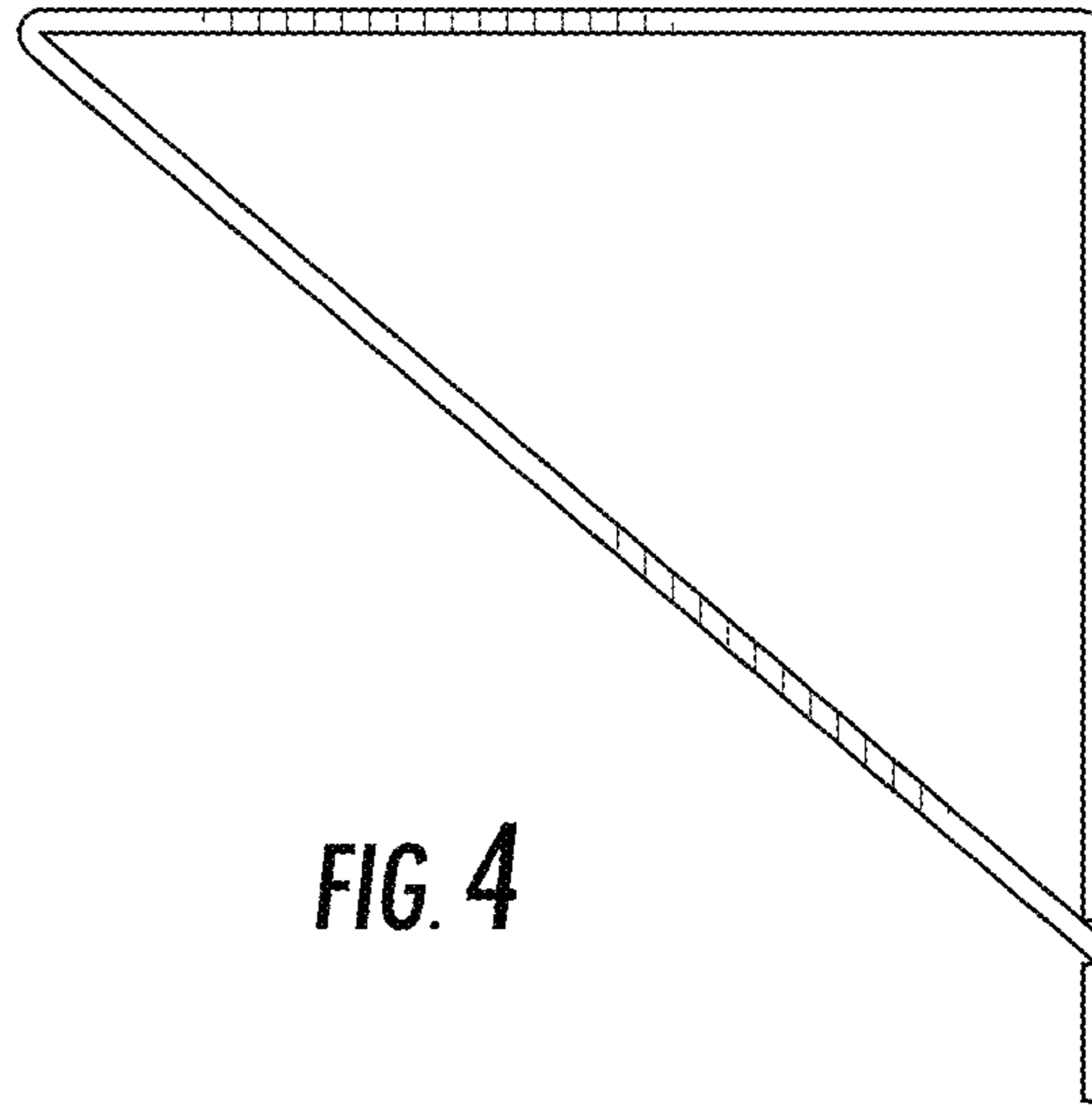


FIG. 4

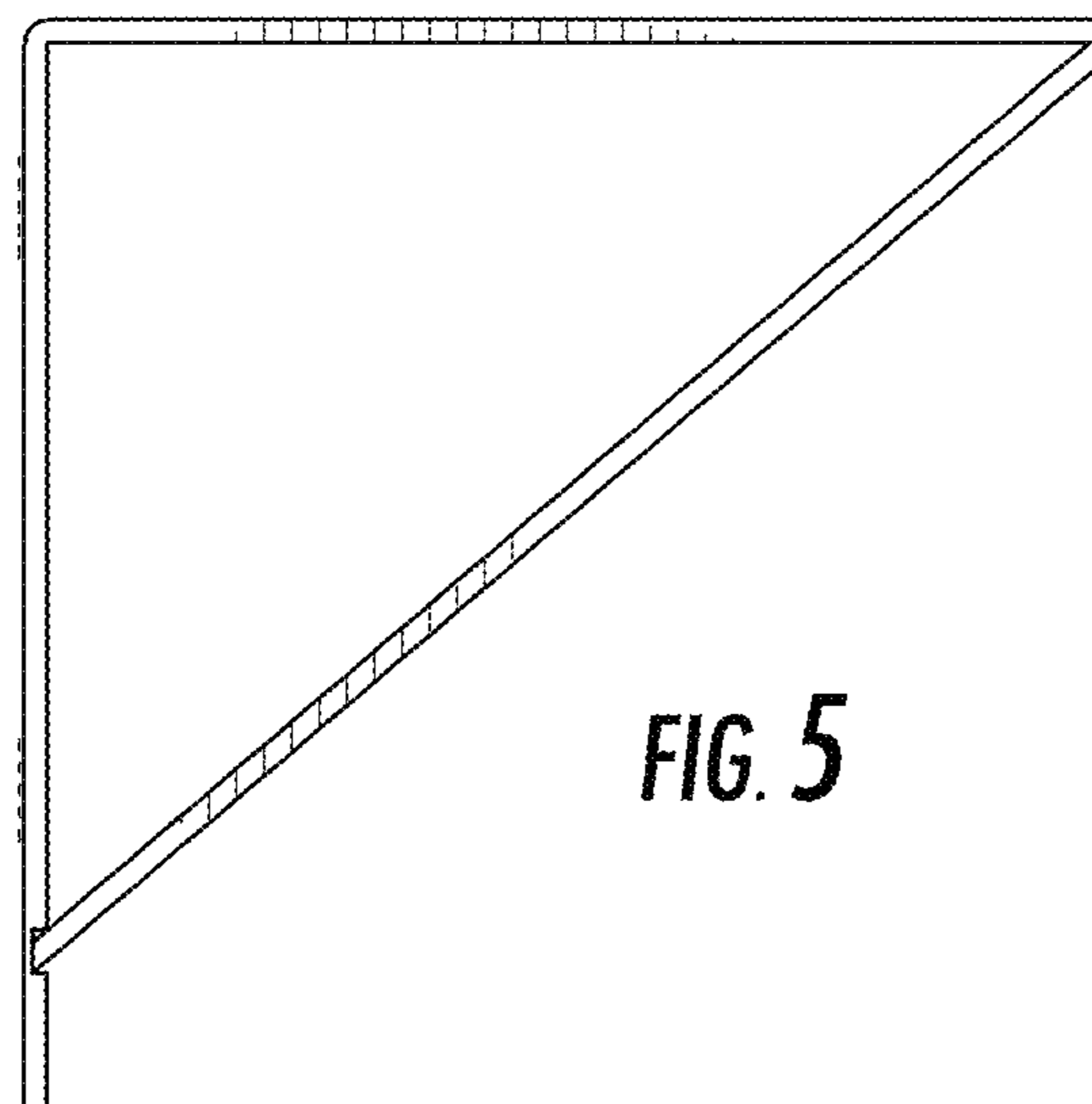


FIG. 5

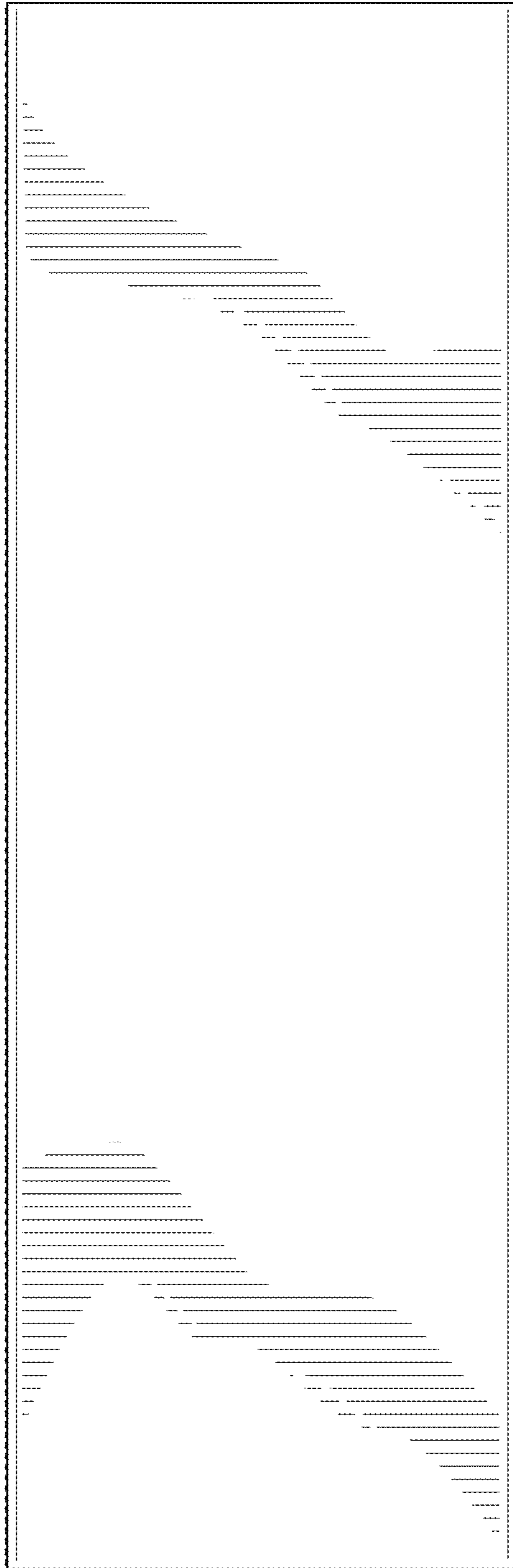


FIG. 6

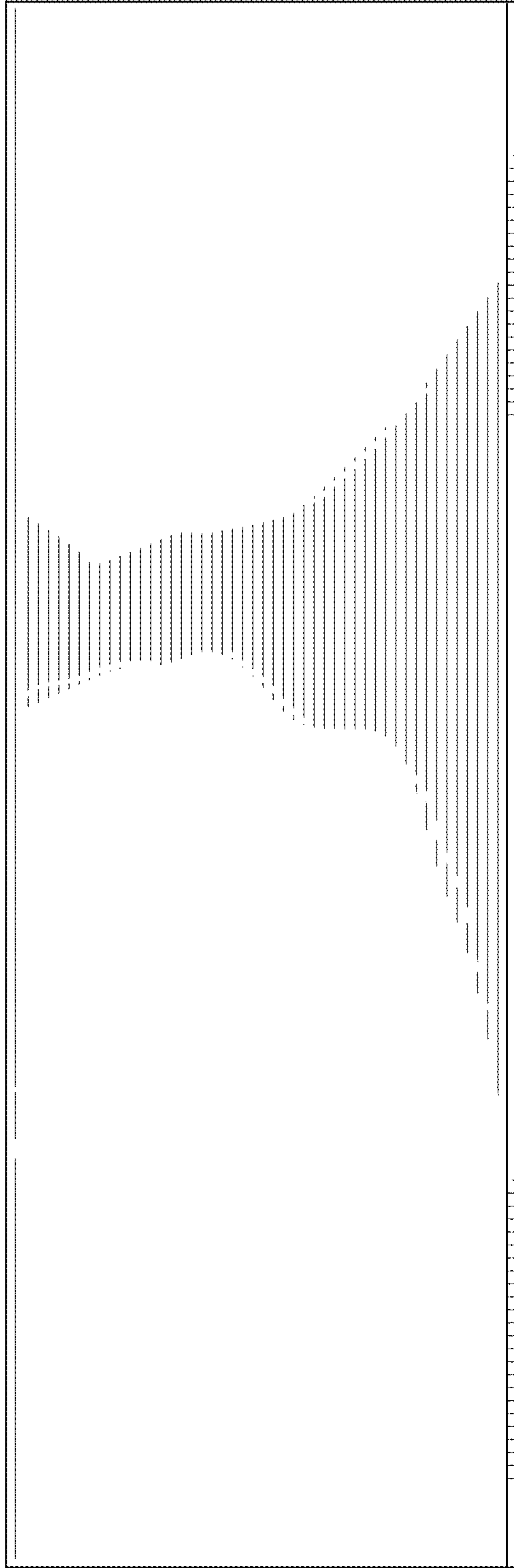


FIG. 7

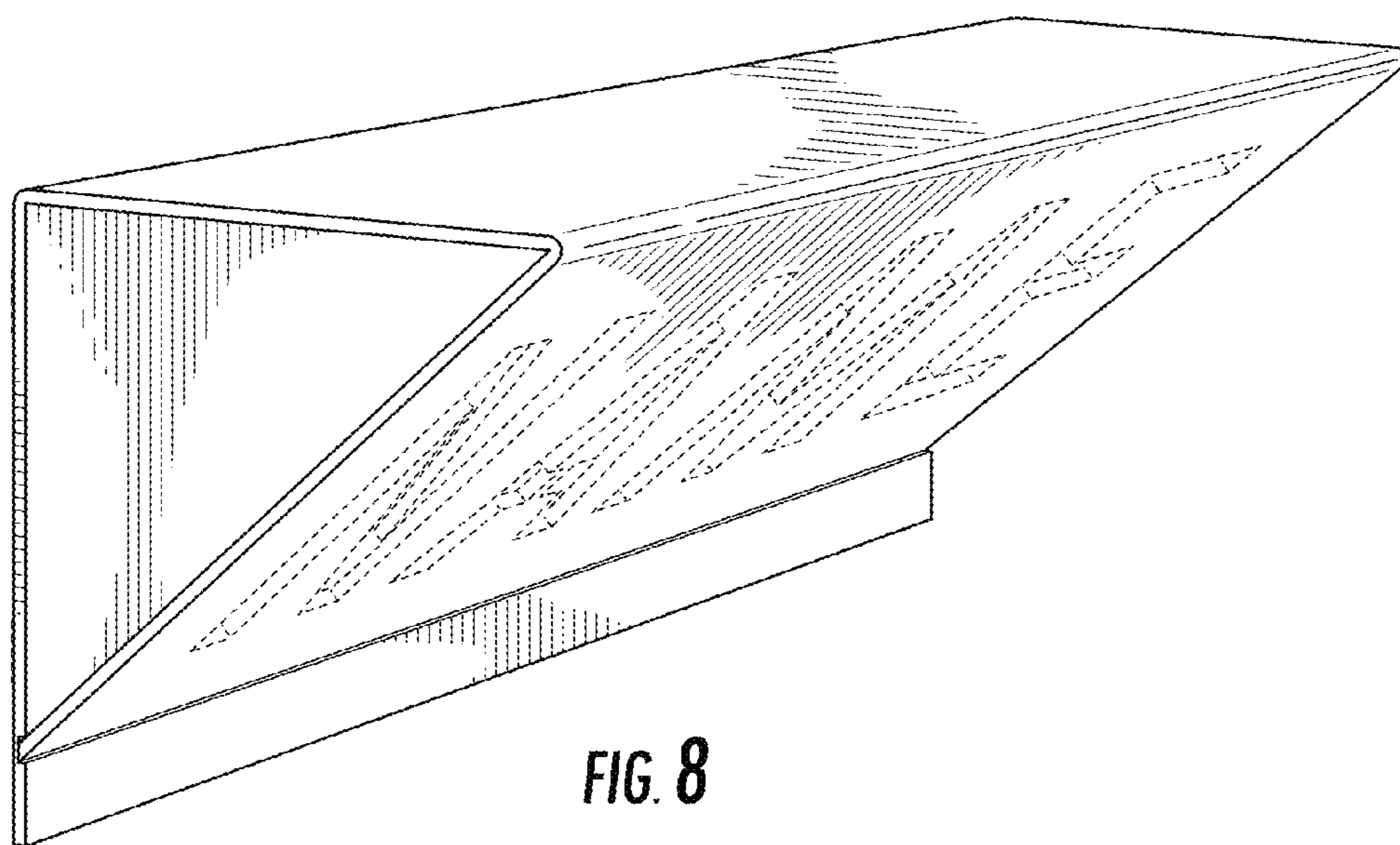


FIG. 8