



US00D718555S

(12) **United States Design Patent**  
**Fox**

(10) **Patent No.:** **US D718,555 S**  
(45) **Date of Patent:** **\*\* Dec. 2, 2014**

(54) **SKATEBOARD DISPLAY RACK**

(71) Applicant: **Jeremy Fox**, Huntington Beach, CA  
(US)

(72) Inventor: **Jeremy Fox**, Huntington Beach, CA  
(US)

(\*\*) Term: **14 Years**

(21) Appl. No.: **29/470,516**

(22) Filed: **Oct. 22, 2013**

(51) **LOC (10) Cl.** ..... **08-08**

(52) **U.S. Cl.**  
USPC ..... **D6/552**

(58) **Field of Classification Search**  
USPC ..... D6/512-514, 552, 553, 567, 572;  
D8/354, 363, 372; 211/13.1, 86.01,  
211/87.01, 205-207, 182; 248/309.1;  
D21/769

See application file for complete search history.

(56) **References Cited**

**U.S. PATENT DOCUMENTS**

5,305,897	A *	4/1994	Smith	.....	D6/552
D479,077	S *	9/2003	Ginsburg	.....	D6/552
D591,095	S *	4/2009	Zasloff	.....	D6/574

D679,123 S \* 4/2013 Evangelista ..... D6/552

\* cited by examiner

*Primary Examiner* — Brian N Vinson

(74) *Attorney, Agent, or Firm* — Advantage IP Law Firm

(57) **CLAIM**

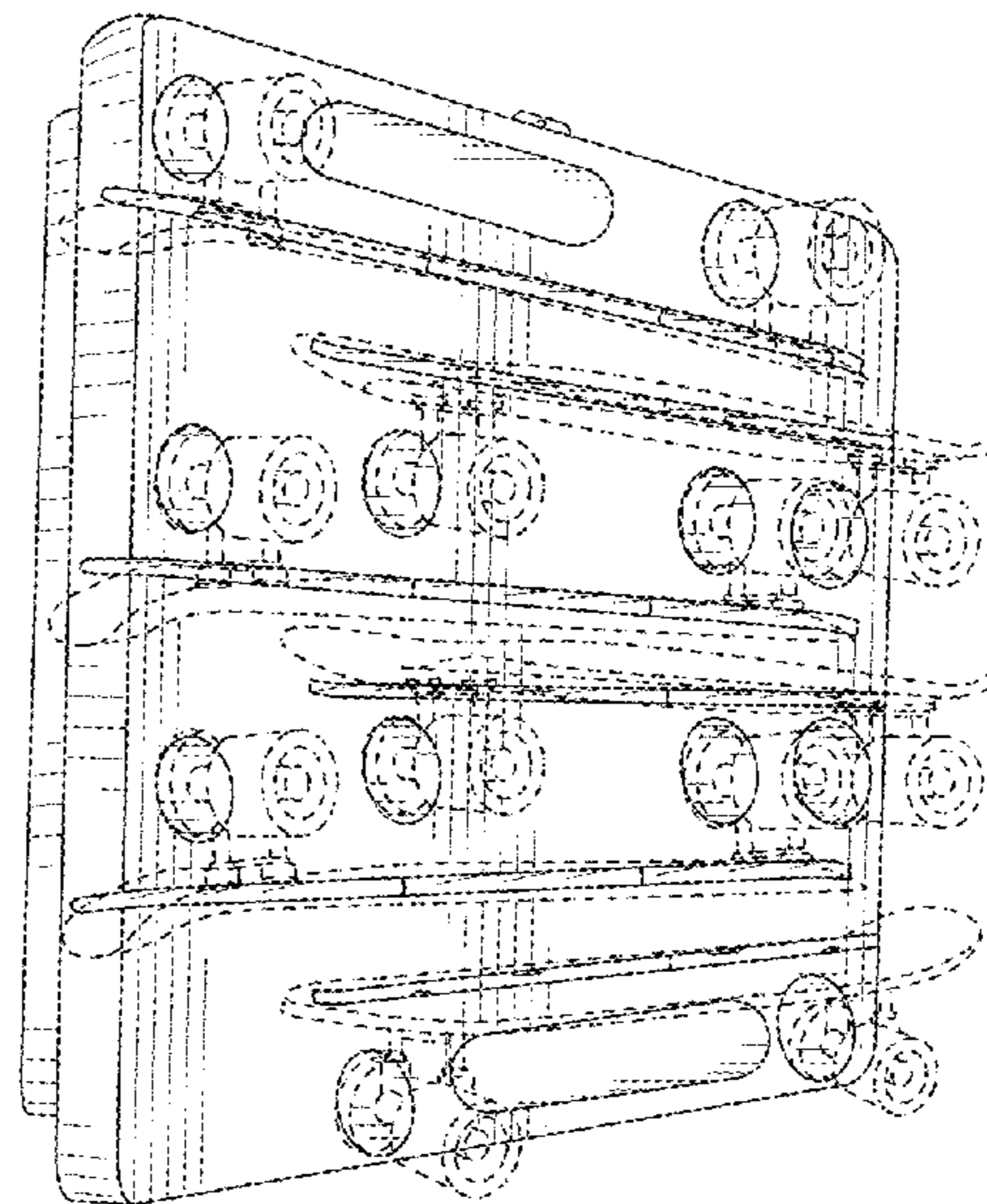
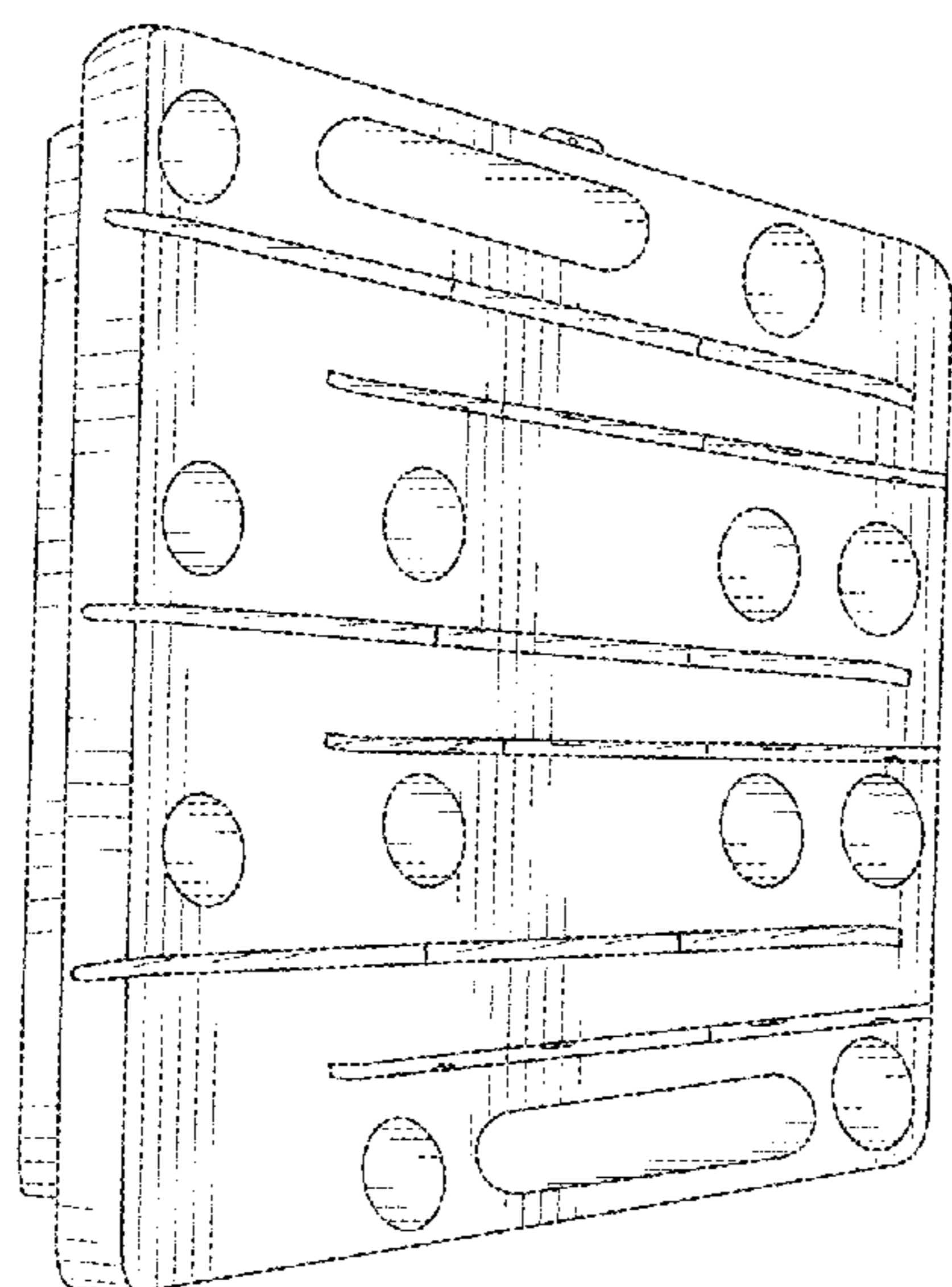
The ornamental design for a skateboard display rack, as shown and described.

**DESCRIPTION**

FIG. 1 is a left lower perspective view of a skateboard display rack illustrating my new design; FIG. 2 is a right side view thereof; FIG. 3 is a left side view thereof; FIG. 4 is a front view thereof; FIG. 5 is a rear view thereof; FIG. 6 is a top view thereof; FIG. 7 is a bottom view thereof; FIG. 8 is a right lower perspective view of the skateboard display rack of FIG. 1 hanging on an exemplary wallboard and displaying a plurality of exemplary skateboards; and, FIG. 9 is a left lower perspective view of the skateboard display rack of FIG. 1 displaying a plurality of exemplary skateboards.

All dashed lines are for environmental purposes only and form no part of the claimed design.

**1 Claim, 5 Drawing Sheets**



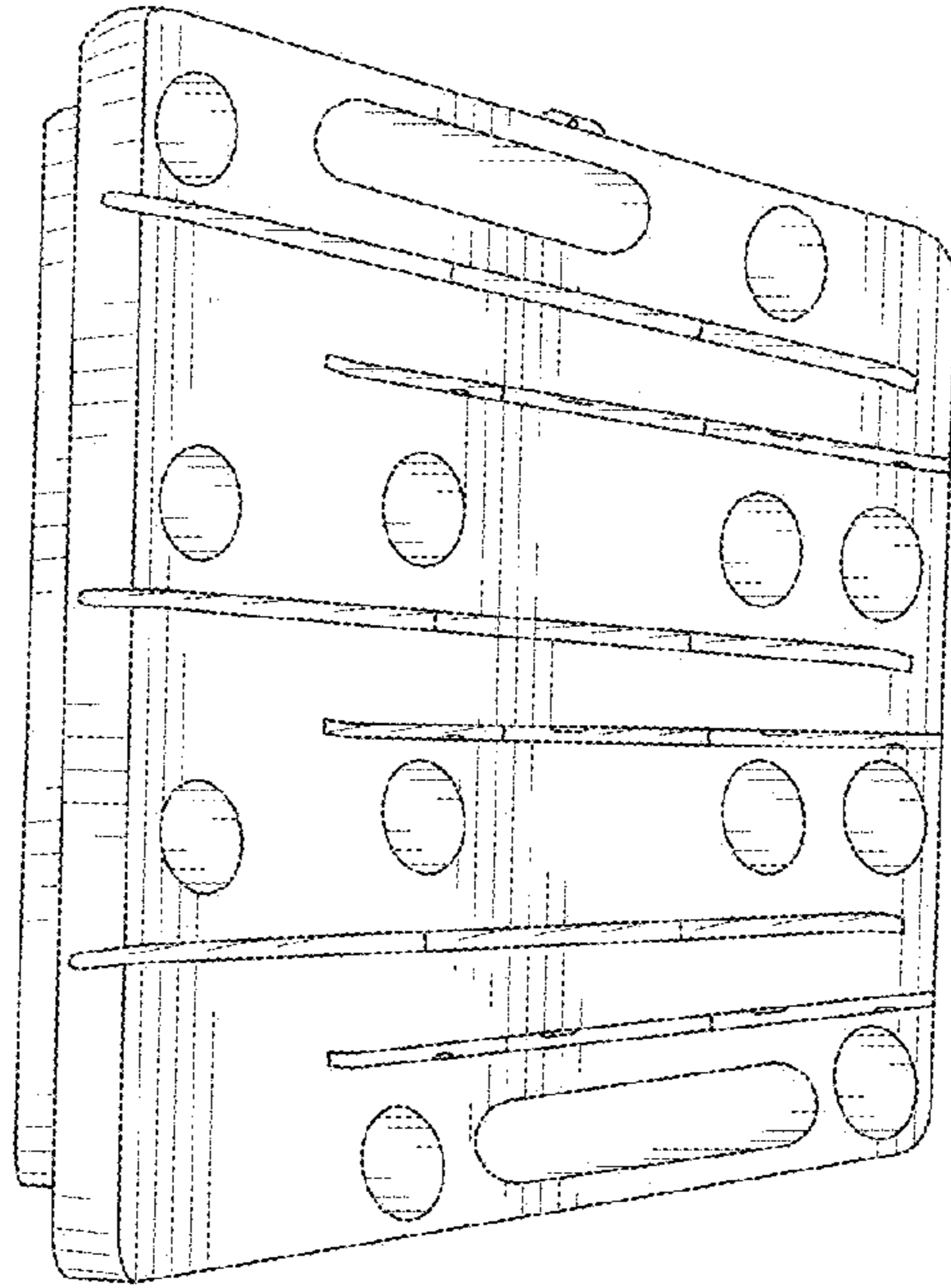


FIG. 1

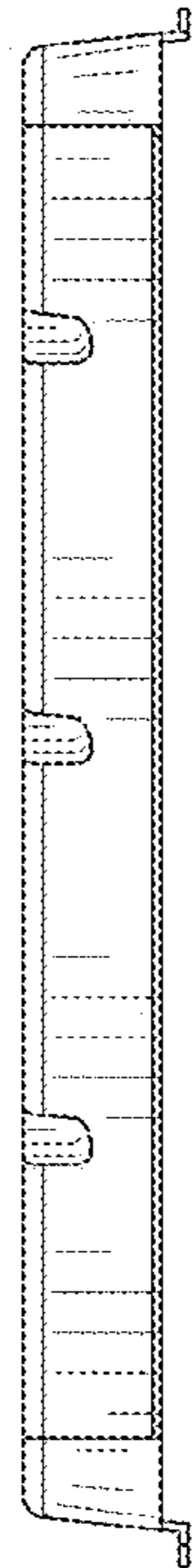
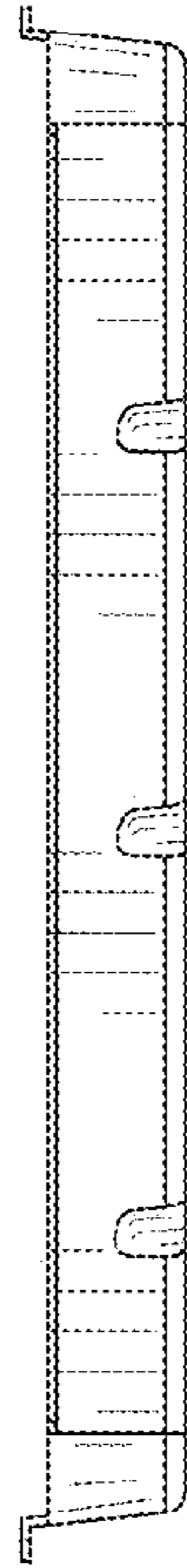
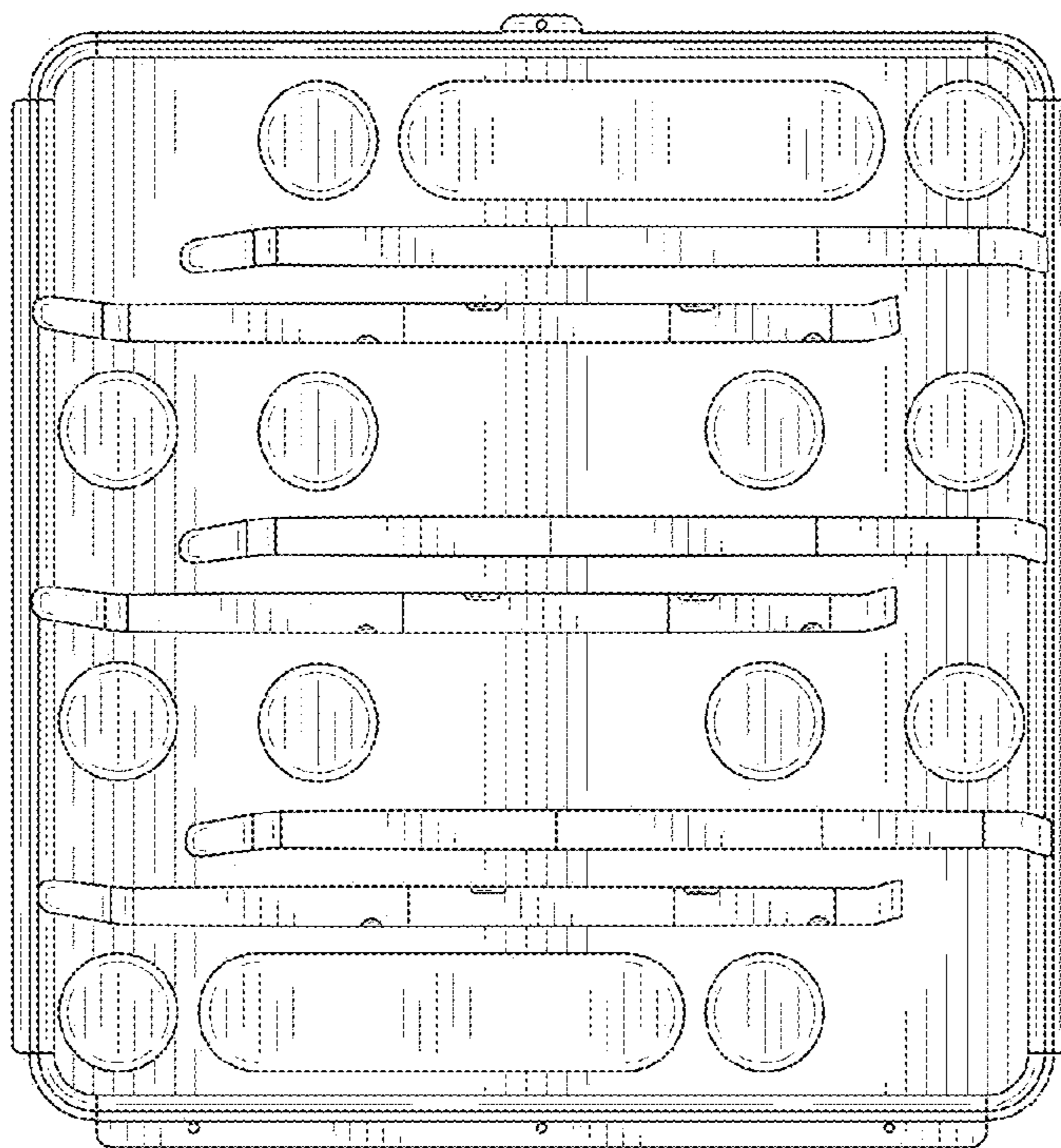


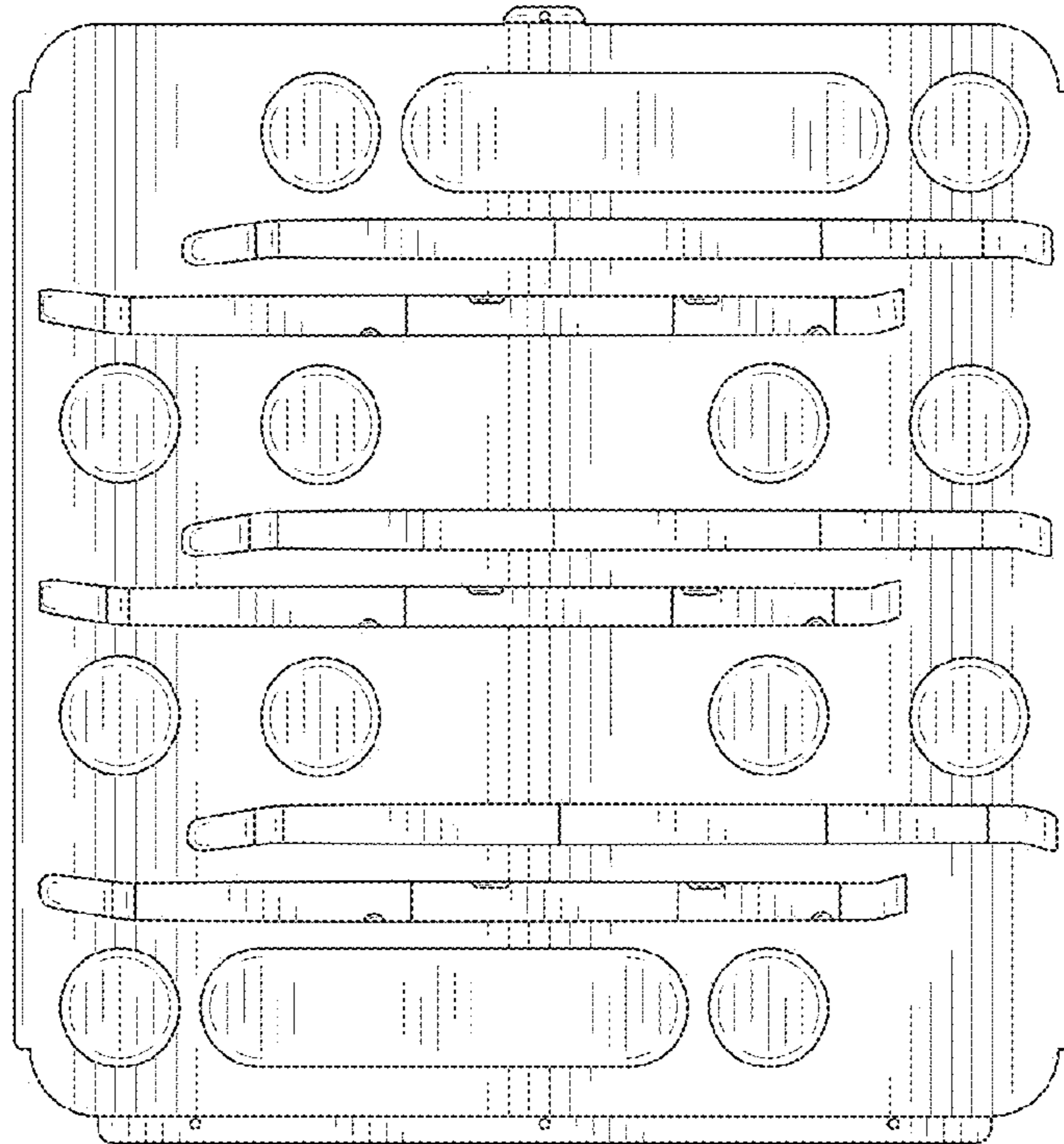
FIG. 2



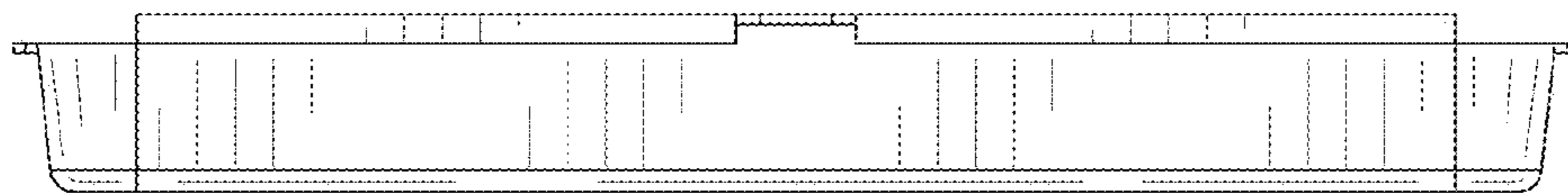
**FIG. 3**



**FIG. 4**



**FIG. 5**



**FIG. 6**

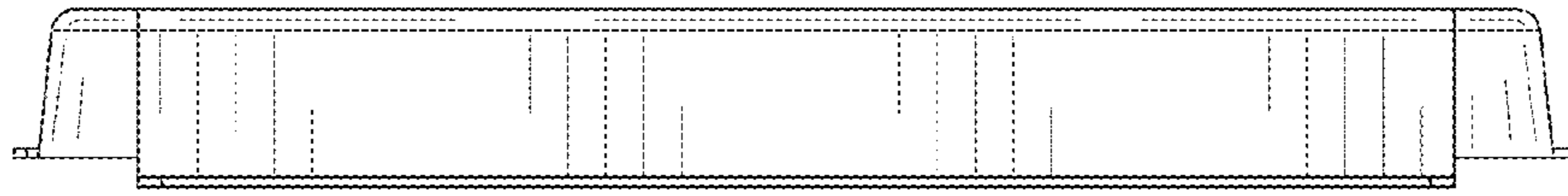


FIG. 7

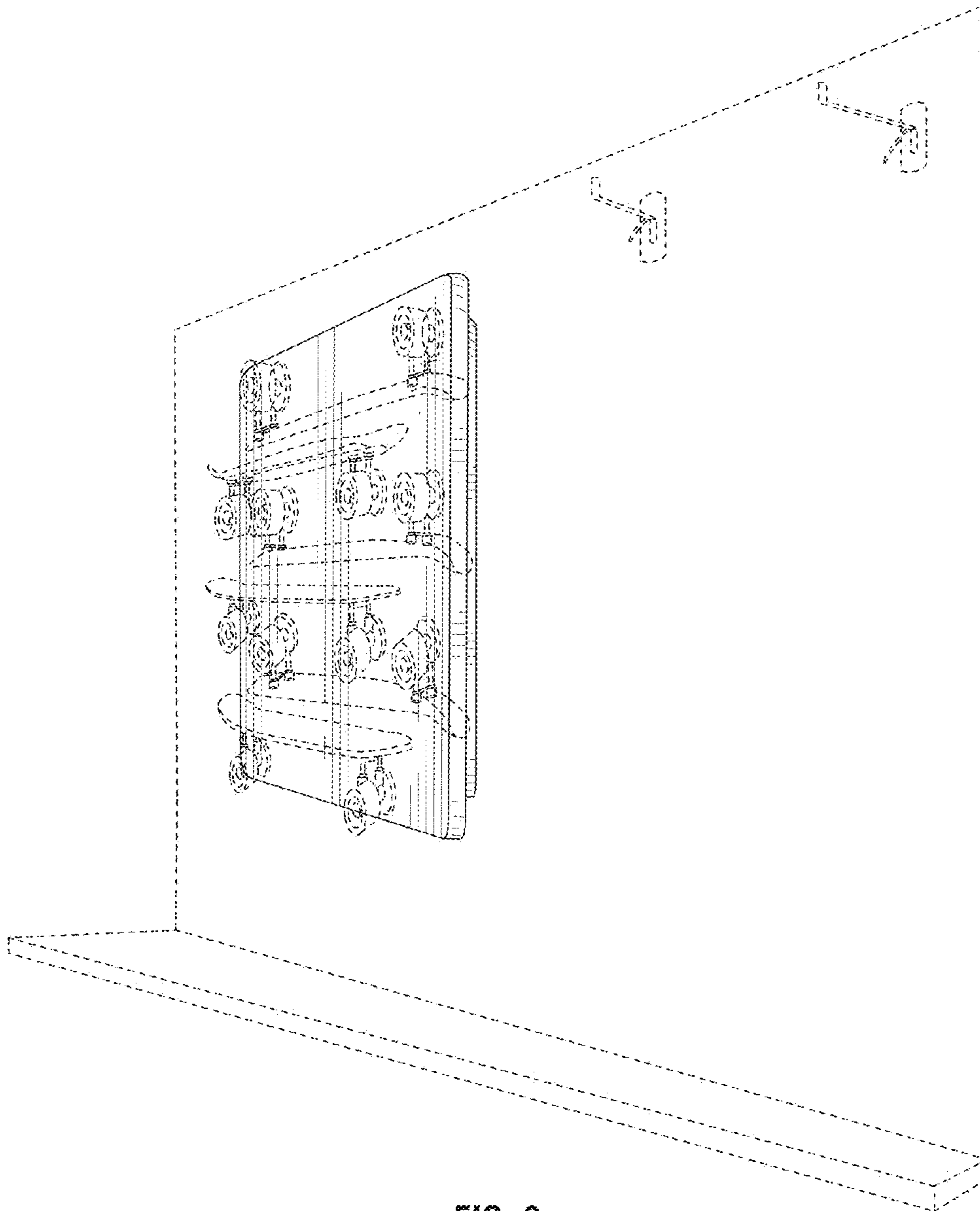
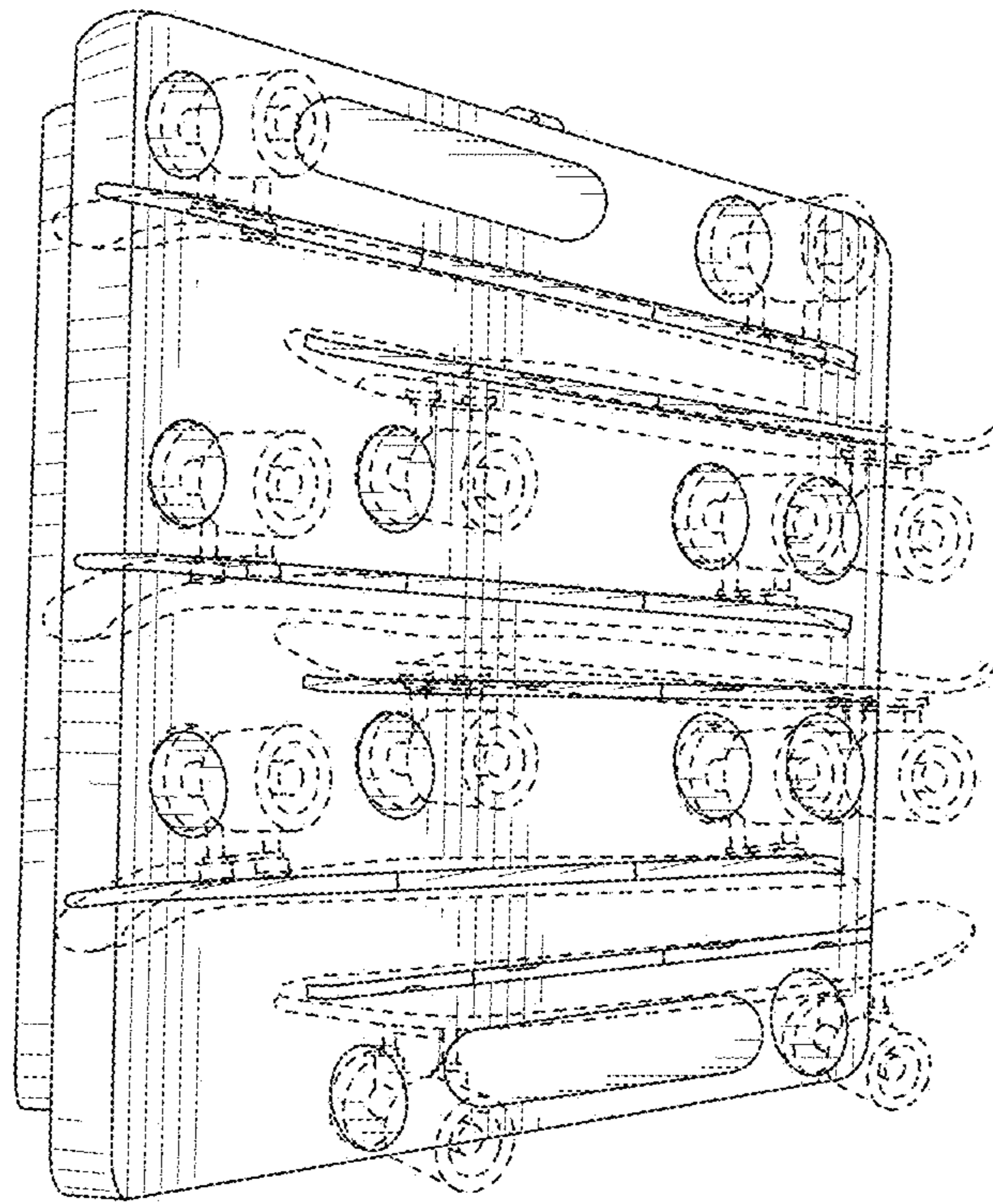


FIG. 8



**FIG. 9**