



US00D718553S

(12) **United States Design Patent**  
**Gnanendran**

(10) **Patent No.:** **US D718,553 S**

(45) **Date of Patent:** **\*\* Dec. 2, 2014**

(54) **BAG DISPENSER**

(71) Applicant: **9252-8595 Quebec Inc.**, Saint Laurent (CA)

(72) Inventor: **Abaragidan Gnanendran**, Saint-Laurent (CA)

(73) Assignee: **9252-8595 Quebec Inc.**, Quebec (CA)

(\*\*) Term: **14 Years**

(21) Appl. No.: **29/460,429**

(22) Filed: **Jul. 10, 2013**

(30) **Foreign Application Priority Data**

Feb. 1, 2013 (CA) ..... 149600

(51) **LOC (10) Cl.** ..... **20-02**

(52) **U.S. Cl.**  
USPC ..... **D6/518**

(58) **Field of Classification Search**

CPC ..... B65D 85/04; B65D 85/672; A47F 7/00;  
A47G 21/12; D05B 3/14; B66D 1/7492;  
B65H 49/205; A47K 10/025

USPC ..... D6/515-523; 206/389, 391; 211/13.1;  
221/173, 282; 242/570, 590, 588.1,  
242/598, 588.6; 312/34.1, 34.8

See application file for complete search history.

(56) **References Cited**

**U.S. PATENT DOCUMENTS**

D464,179 S \* 10/2002 Petersen et al. .... D6/518  
D502,622 S \* 3/2005 Berger ..... D6/515

D521,781 S \* 5/2006 Edwards ..... D6/518  
D654,739 S \* 2/2012 Chin et al. .... D6/518  
D657,174 S \* 4/2012 Yatscoff ..... D6/518  
D683,560 S \* 6/2013 Goldberg ..... D6/518

\* cited by examiner

*Primary Examiner* — Brian N Vinson

(74) *Attorney, Agent, or Firm* — Nelson Mullins Riley & Scarborough, LLP

(57) **CLAIM**

The ornamental design for a bag dispenser, as shown and described.

**DESCRIPTION**

FIG. 1 is a perspective view taken from a top, front, right side of a bag dispenser, according to our new design;

FIG. 2 is a front elevation view thereof;

FIG. 3 is a rear elevation view thereof;

FIG. 4 is a left side elevation view thereof;

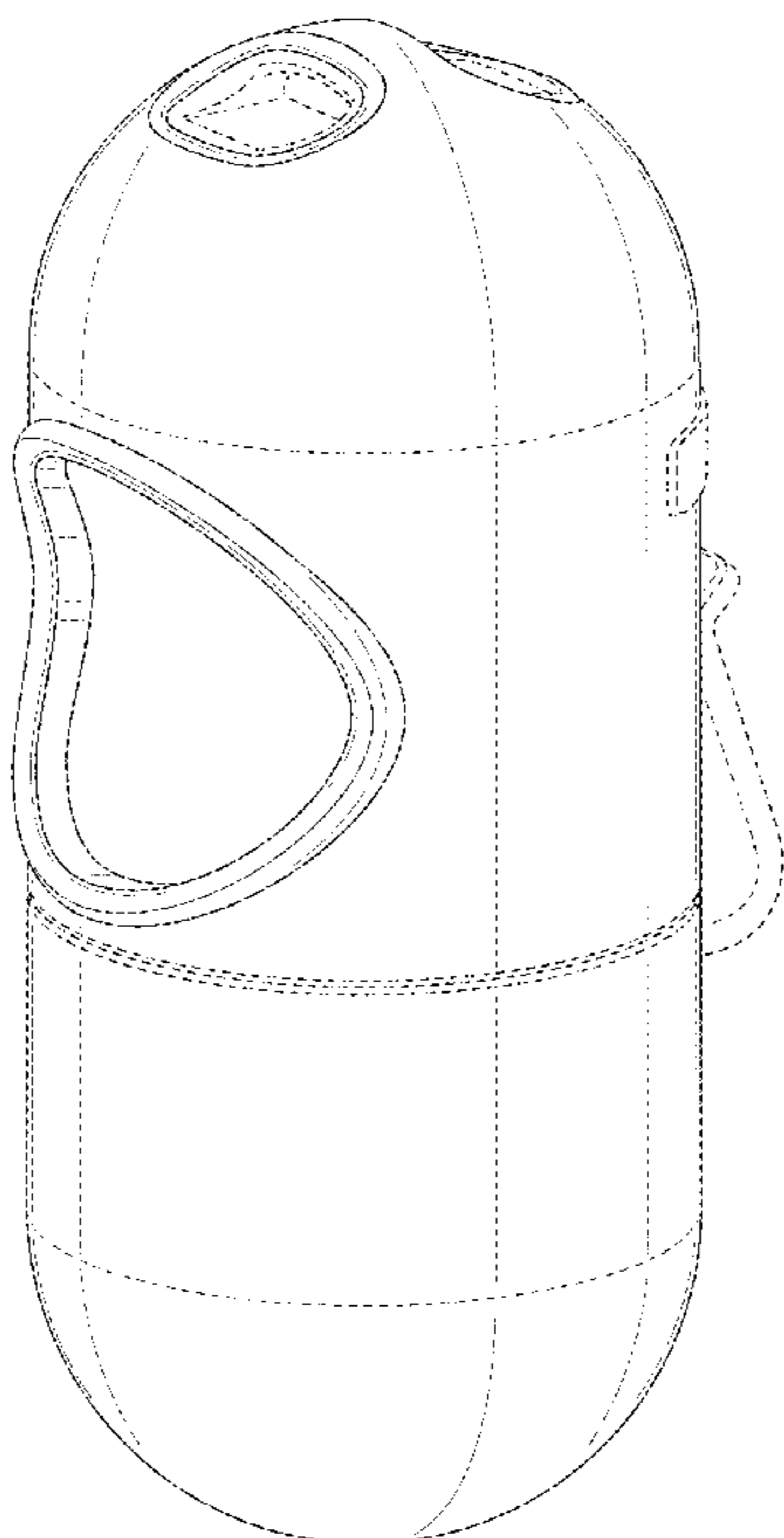
FIG. 5 is a right side elevation view thereof;

FIG. 6 is a top plan view thereof; and,

FIG. 7 is a bottom plan view thereof.

The design consists of the visual features of the portions of the bag dispenser shown in solid lines in the drawings. Throughout the figures, where shown the dotted lines-showing additional structure of the bag dispenser are for illustrative purposes only and form no part of the claimed design.

**1 Claim, 7 Drawing Sheets**



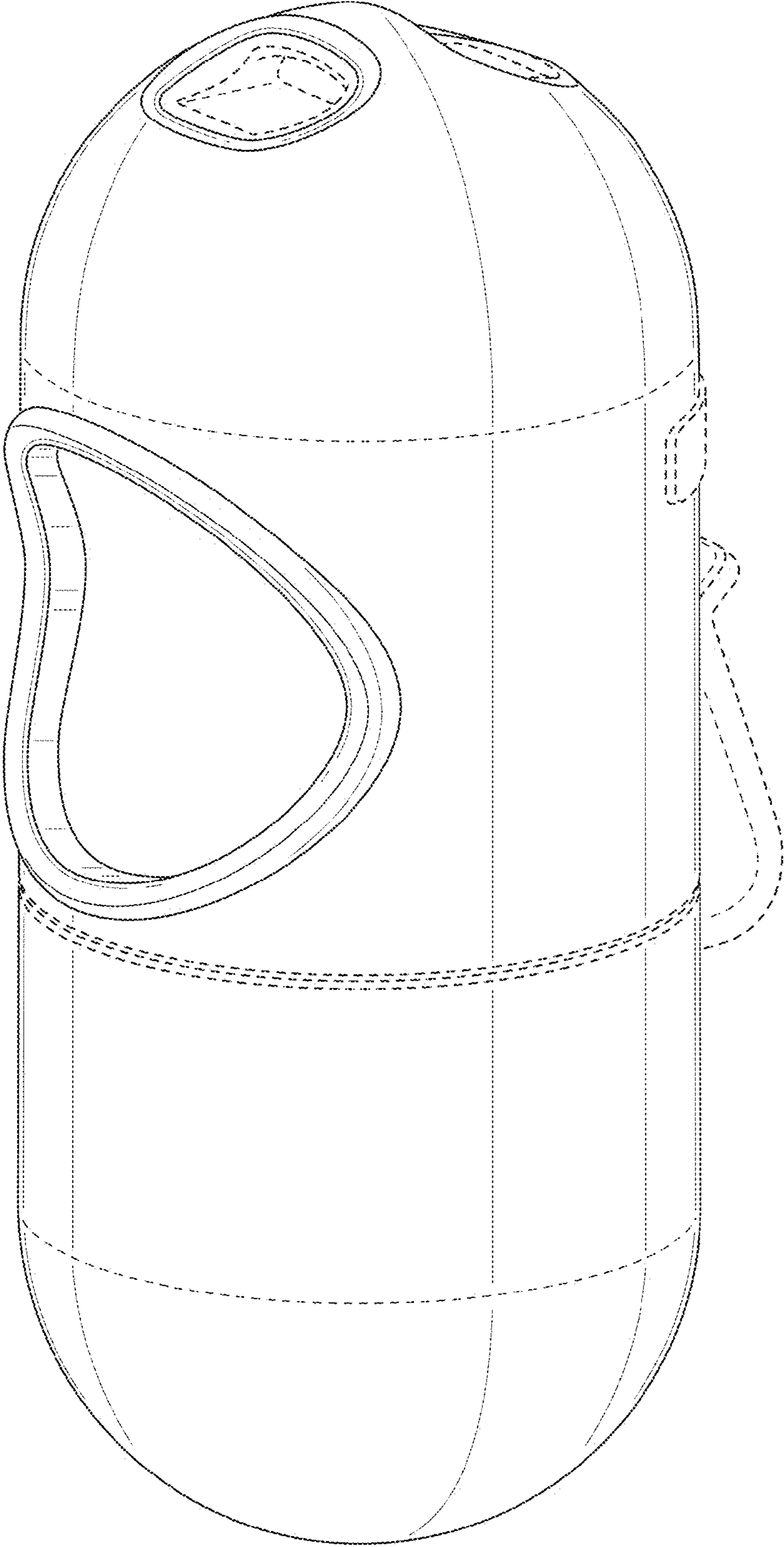


FIG. 1

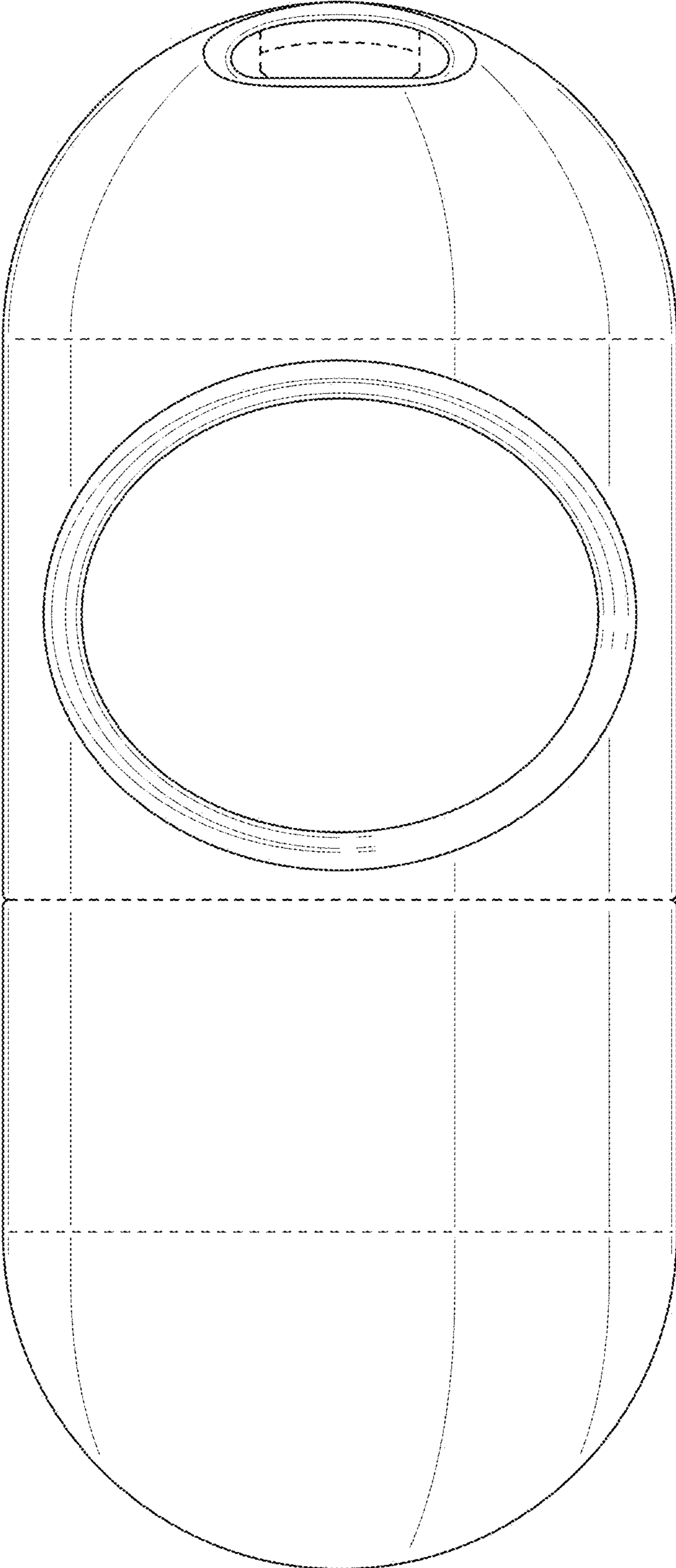


FIG. 2

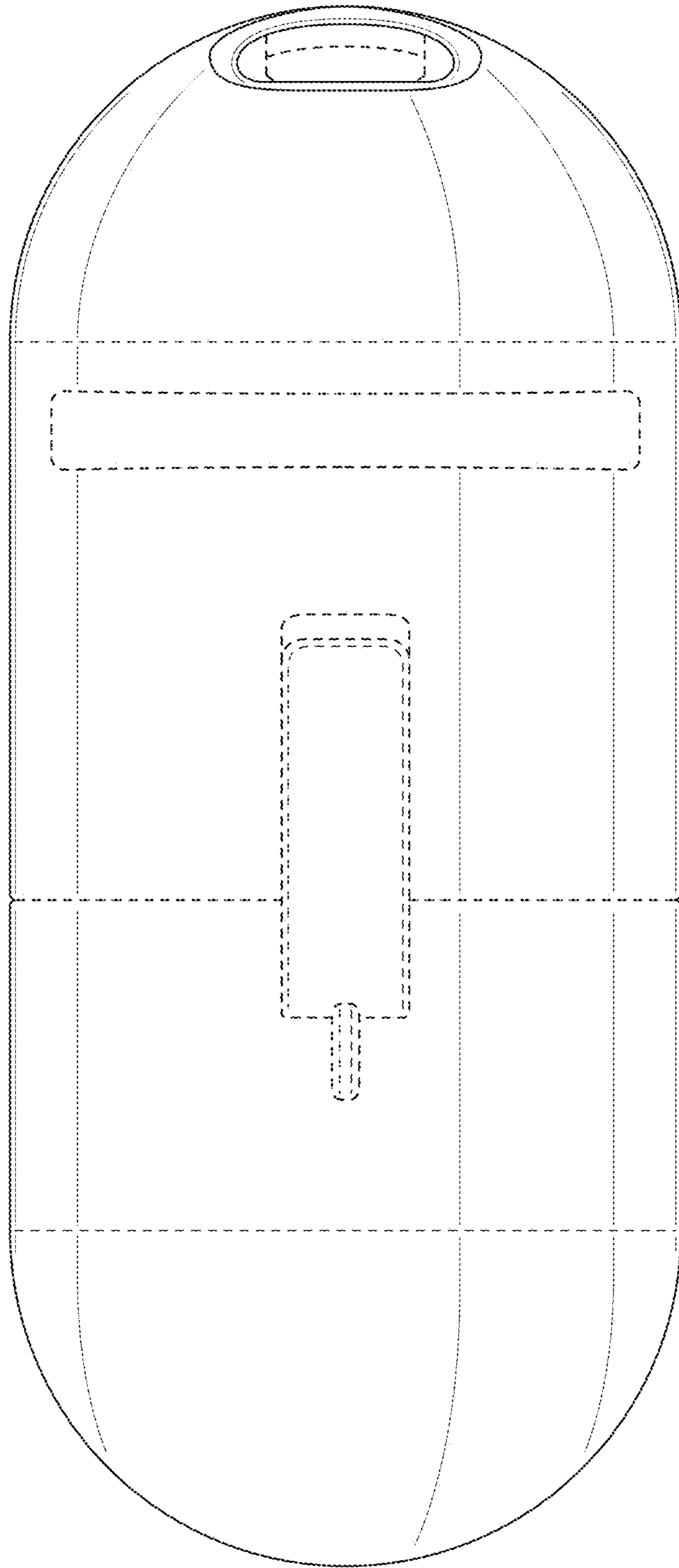


FIG. 3

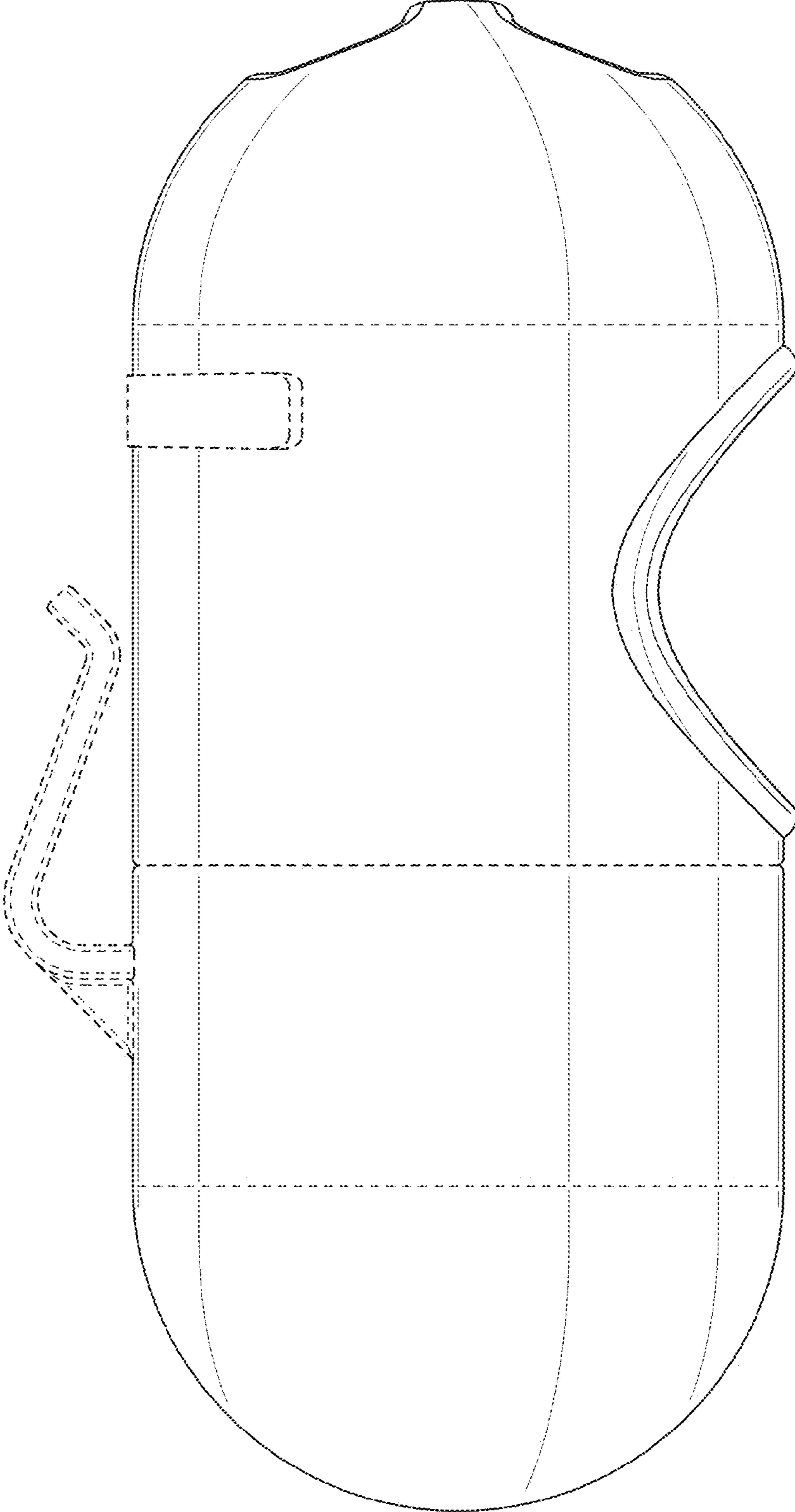


FIG. 4



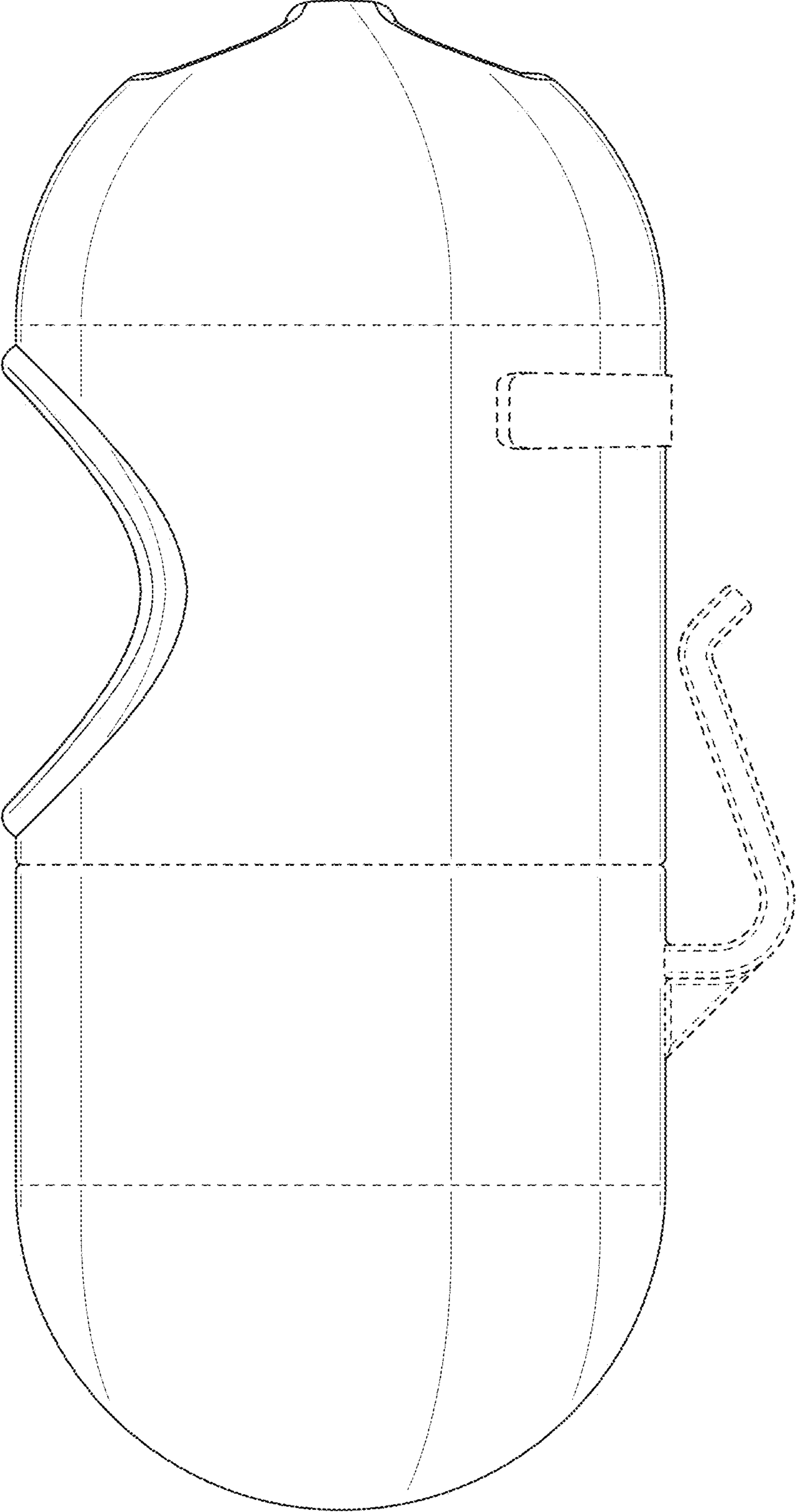


FIG. 5

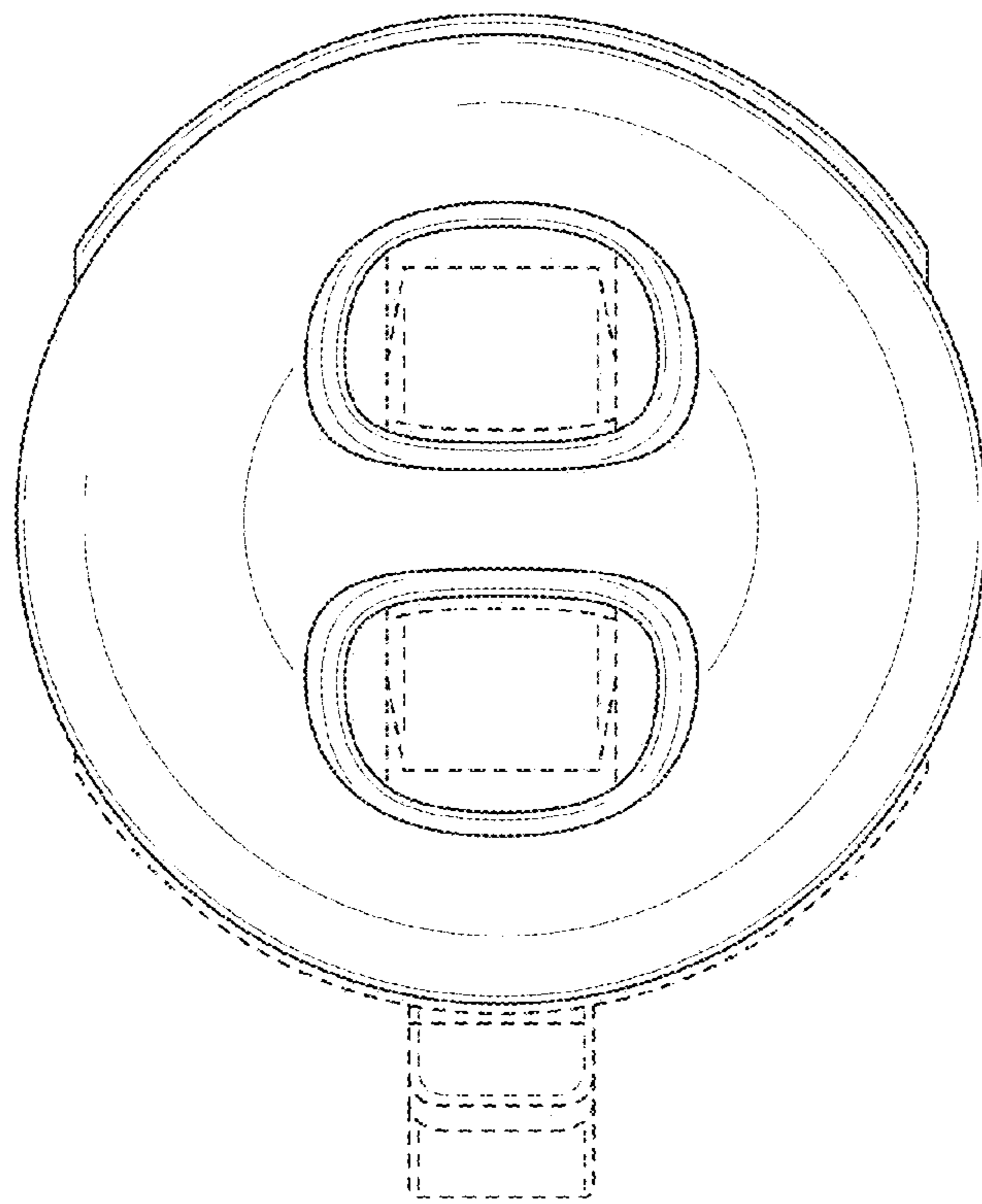


FIG. 6

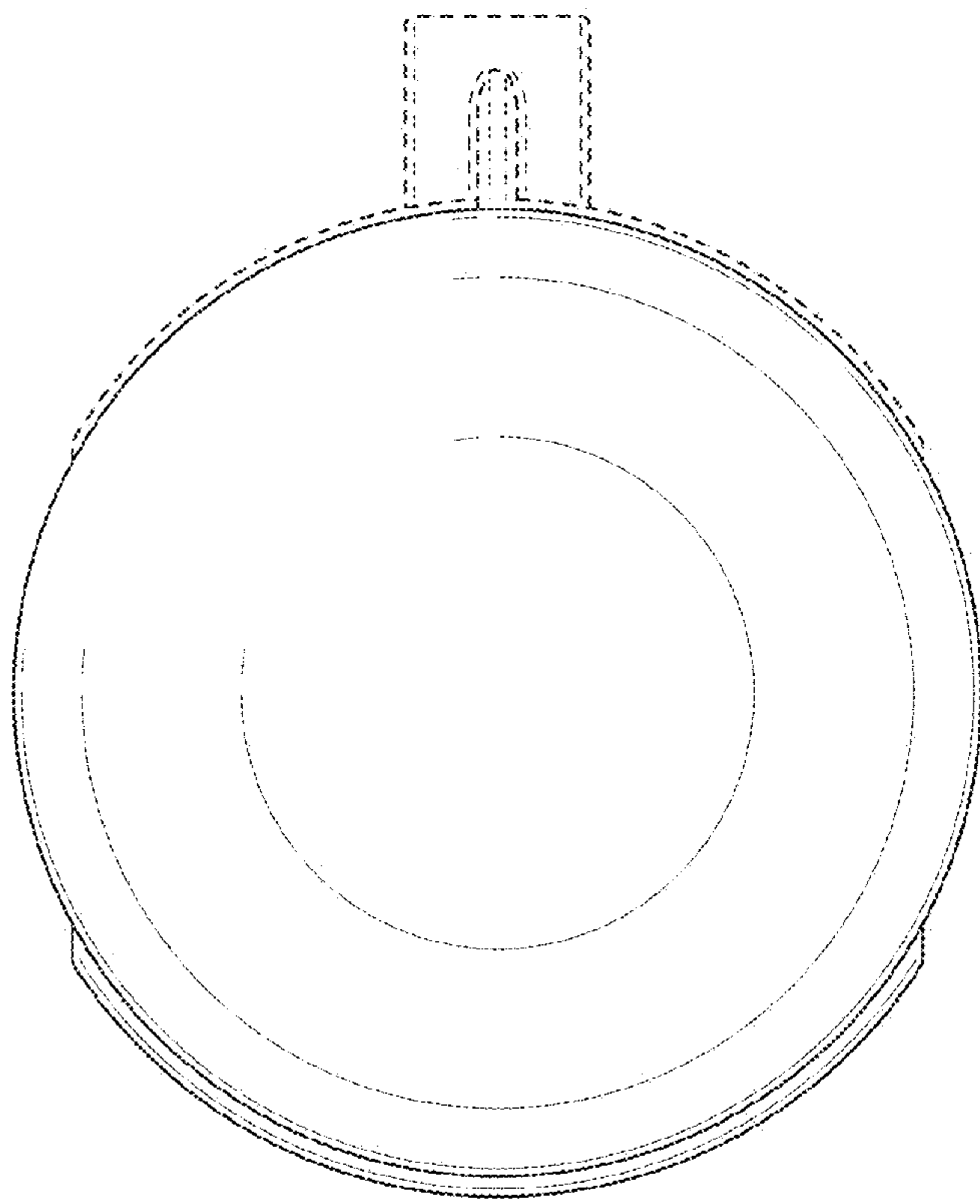


FIG. 7