



US00D718552S

(12) **United States Design Patent**
Kanthasamy

(10) **Patent No.:** **US D718,552 S**
(45) **Date of Patent:** **** Dec. 2, 2014**

(54) **CONVERTIBLE SOFA BED WITH ARMS THAT CONVERT INTO FOOT RESTS**

(71) Applicant: **Lifestyle Solutions, Inc.**, Fremont, CA (US)

(72) Inventor: **Abedan Kanthasamy**, Kuala Lumpur (MY)

(73) Assignee: **Lifestyle Solutions, Inc.**, Fremont, CA (US)

(**) Term: **14 Years**

(21) Appl. No.: **29/492,707**

(22) Filed: **Jun. 2, 2014**

(51) **LOC (10) Cl.** **06-01**

(52) **U.S. Cl.**
USPC **D6/381**

(58) **Field of Classification Search**

CPC A47C 17/00; A47C 17/02; A47C 17/12;
A47C 17/18; A47C 7/021; A47C 31/00;
A47C 3/16

USPC D6/334, 335, 336, 379, 381, 369;
297/94, 118, 232, 445.1, 448.1, DIG. 7

See application file for complete search history.

(56) **References Cited**

U.S. PATENT DOCUMENTS

3,973,800 A * 8/1976 Kogan 297/440.23
D477,152 S * 7/2003 Levy D6/381

(Continued)

Primary Examiner — Sandra Snapp

(74) *Attorney, Agent, or Firm* — Jackson Walker L.L.P.

(57) **CLAIM**

The ornamental design for a convertible sofa bed with arms that convert into foot rests, as shown and described.

DESCRIPTION

FIG. 1 is a front perspective view of the convertible sofa bed being in a sofa position;

FIG. 2 is a front view of the convertible sofa bed being in a sofa position;

FIG. 3 is a side view of the convertible sofa bed being in a sofa position;

FIG. 4 is a front perspective view of the convertible sofa bed with one of the arms being between an arm position and foot rest position;

FIG. 5 is a front perspective view of the convertible sofa bed with one of the arms being between an arm position and foot rest position;

FIG. 6 is a front perspective view of the convertible sofa bed with one of the arms being in a foot rest position;

FIG. 7 is a front view of the convertible sofa bed with both of the arms being in a foot rest position;

FIG. 8 is a top view of the convertible sofa bed being in a bed position with both of the arms being in a foot rest position;

FIG. 9 is a side view of the convertible sofa bed being in a sofa position with at least one of the arms being in a foot rest position;

FIG. 10 is a side view of the convertible sofa bed with the seat back being between a sofa and bed position and with at least one of the arms being in a foot rest position;

FIG. 11 is a side view of the convertible sofa bed with the seat back being between a sofa and bed position and with at least one of the arms being in a foot rest position;

FIG. 12 is a side view of the convertible sofa bed with the seat back being between a sofa and bed position and with at least one of the arms being in a foot rest position;

FIG. 13 is a side view of the convertible sofa bed being in a bed position with at least one of the arms being in a foot rest position;

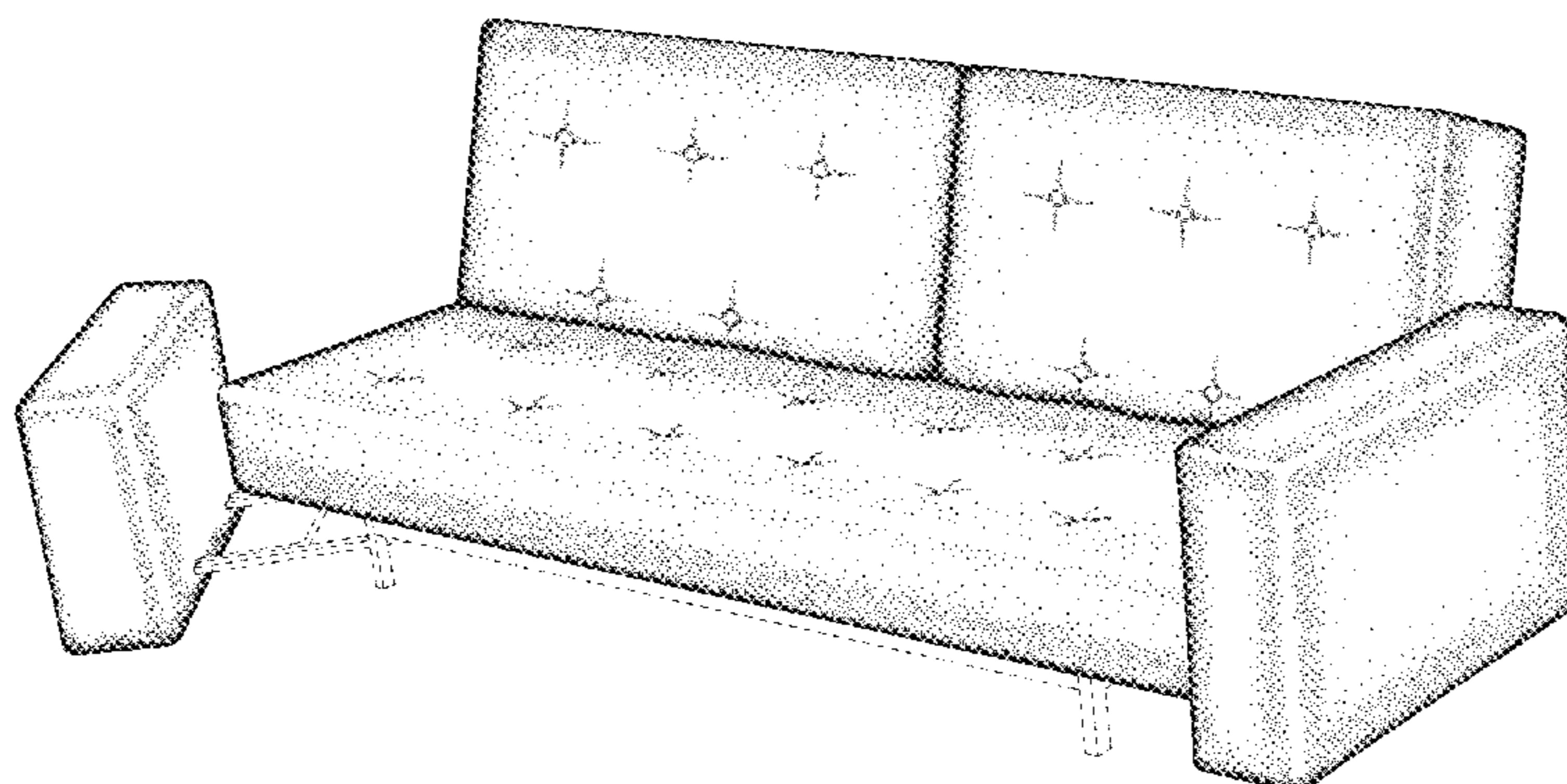
FIG. 14 is a side view of the convertible sofa bed with the seat back being split into sofa and bed positions and with at least one of the arms being in a foot rest position;

FIG. 15 is a side view of the convertible sofa bed with the seat back being split into sofa and bed positions and with at least one of the arms being in a foot rest position;

FIG. 16 is a back view of the convertible sofa bed being in a sofa position; and, FIG. 17 is a bottom view of the convertible sofa bed being in a bed position and with both arms in the foot rest position.

The broken lines shown in the drawings are for illustrative purposes only and form no part of the claimed design.

1 Claim, 17 Drawing Sheets



(56)

References Cited

U.S. PATENT DOCUMENTS

D493,039 S * 7/2004 Ricci D6/381
D495,514 S * 9/2004 Ricci D6/381
D495,893 S * 9/2004 Ricci D6/381
D499,261 S * 12/2004 Ricci D6/381
D515,333 S * 2/2006 Natuzzi D6/381
D515,334 S * 2/2006 Natuzzi D6/381

D527,541 S * 9/2006 Natuzzi D6/381
D541,074 S * 4/2007 Natuzzi D6/381
D552,862 S * 10/2007 Natuzzi D6/381
D590,171 S * 4/2009 Natuzzi D6/381
D600,037 S * 9/2009 Natuzzi D6/381
D677,070 S * 3/2013 Kanthasamy D6/381
D677,071 S * 3/2013 Kanthasamy D6/381
2002/0000741 A1 * 1/2002 Clay et al. 297/118

* cited by examiner

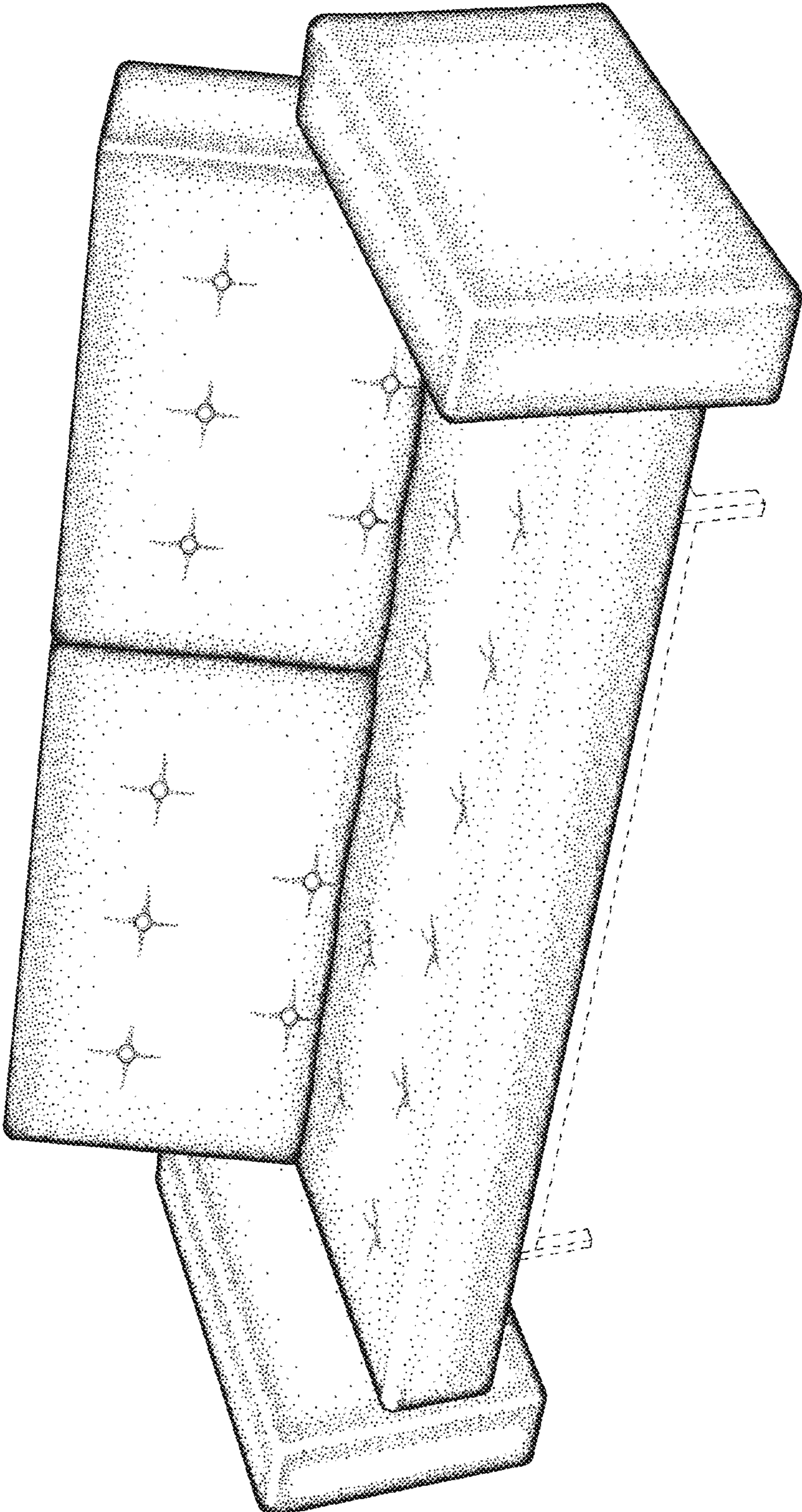


FIG. 1

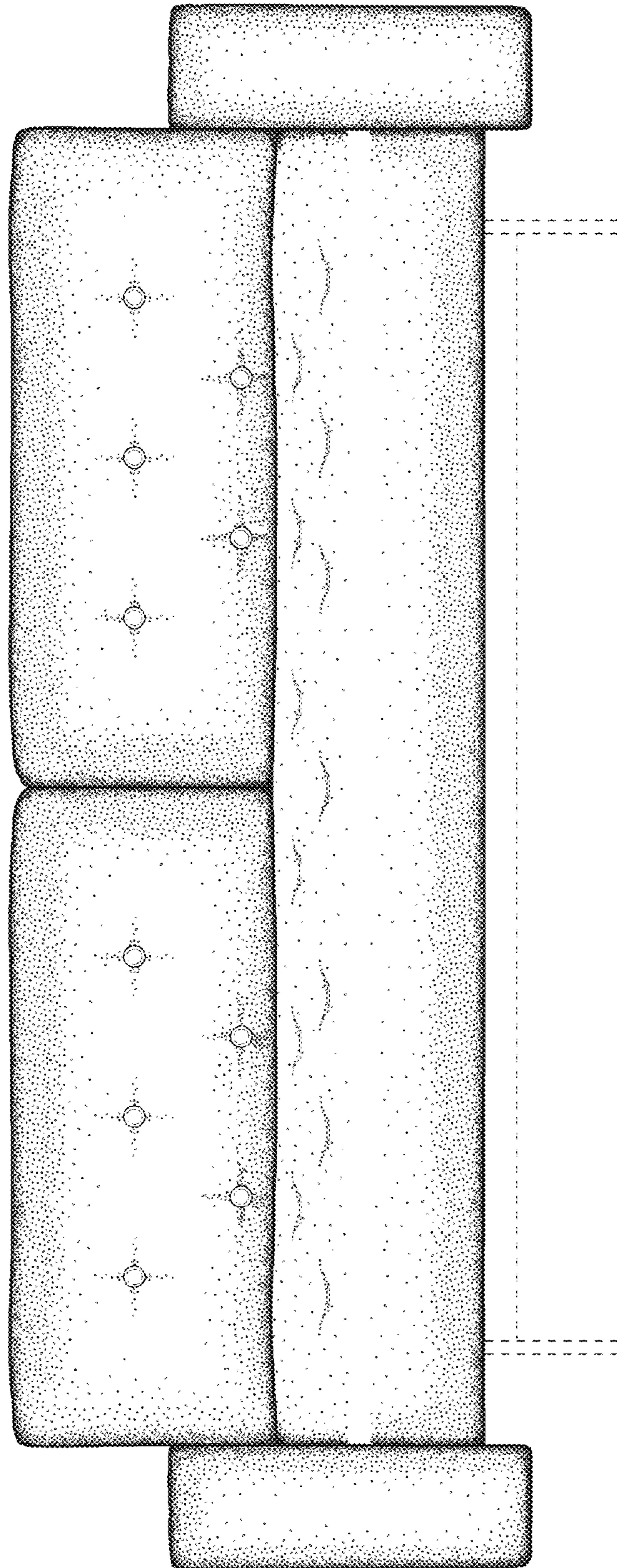


FIG. 2

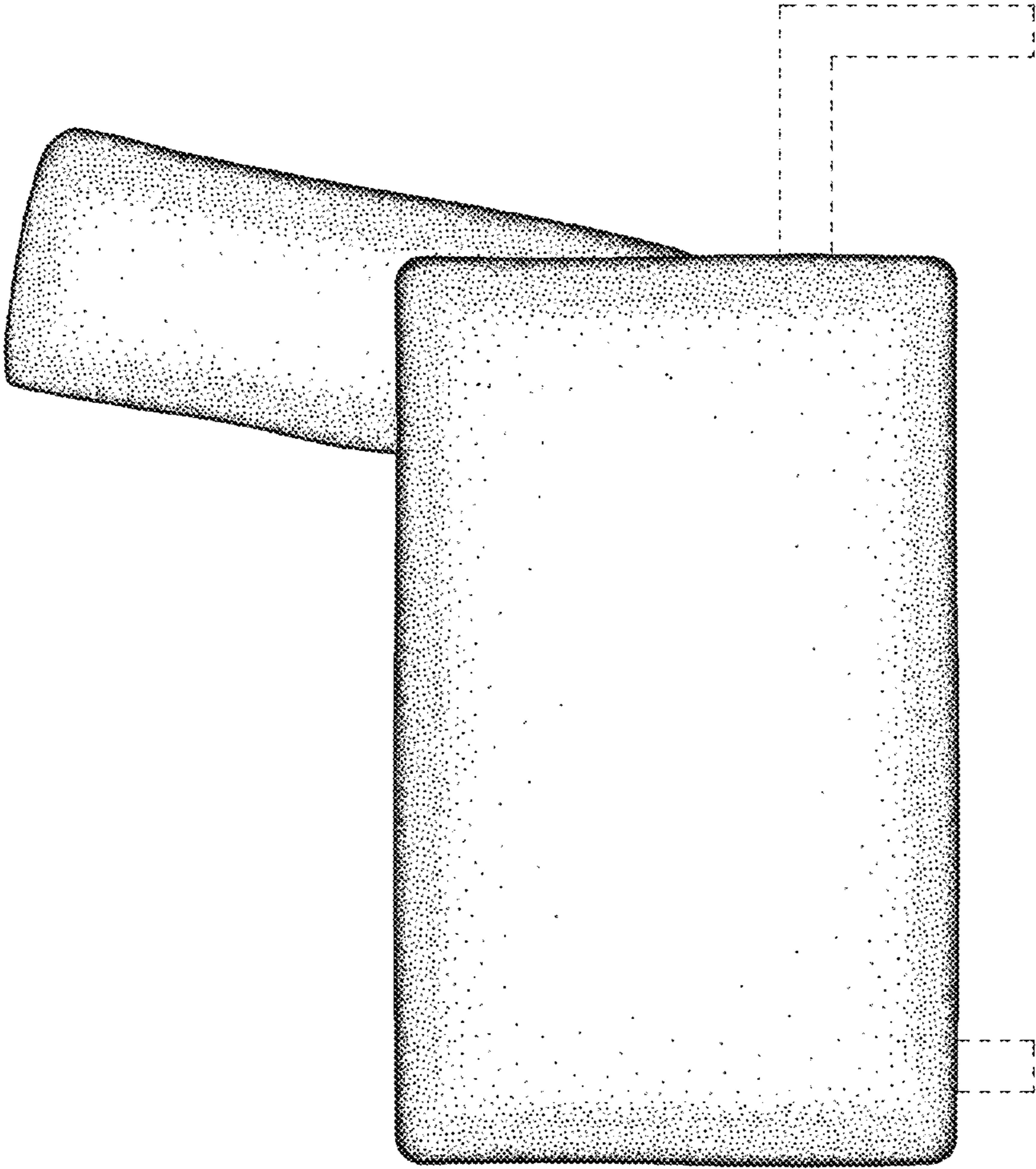


FIG. 3

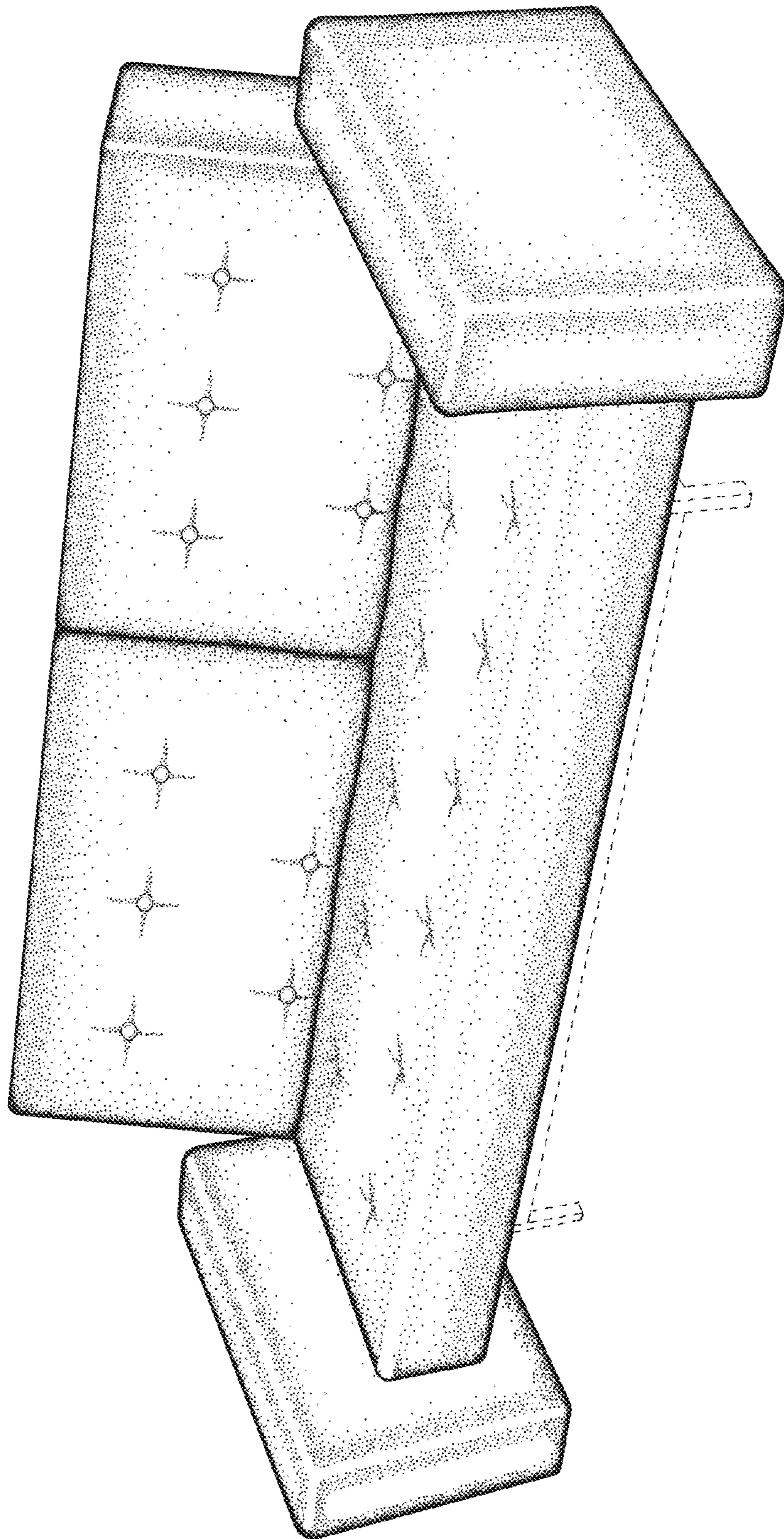


FIG. 4

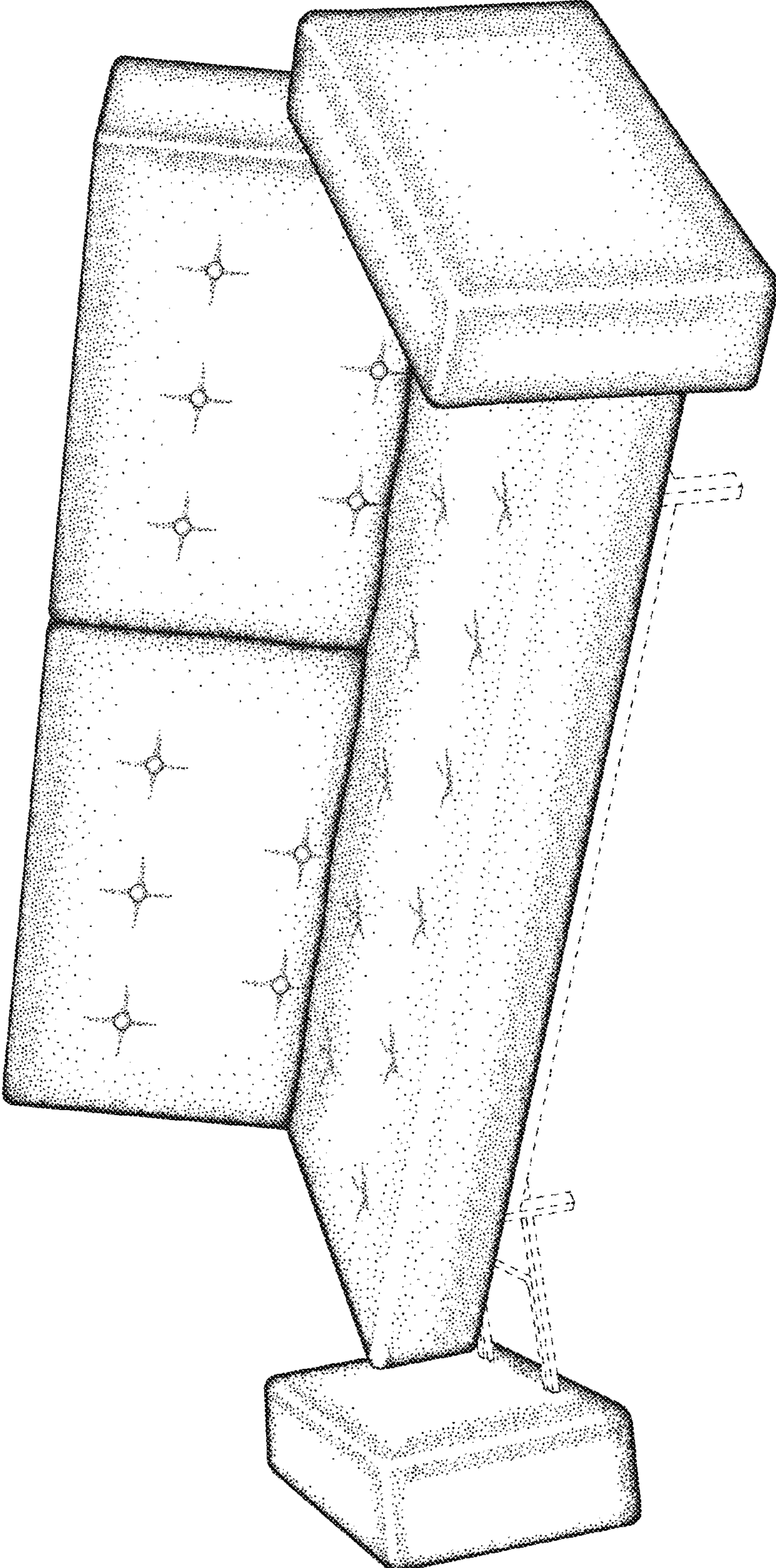


FIG. 5

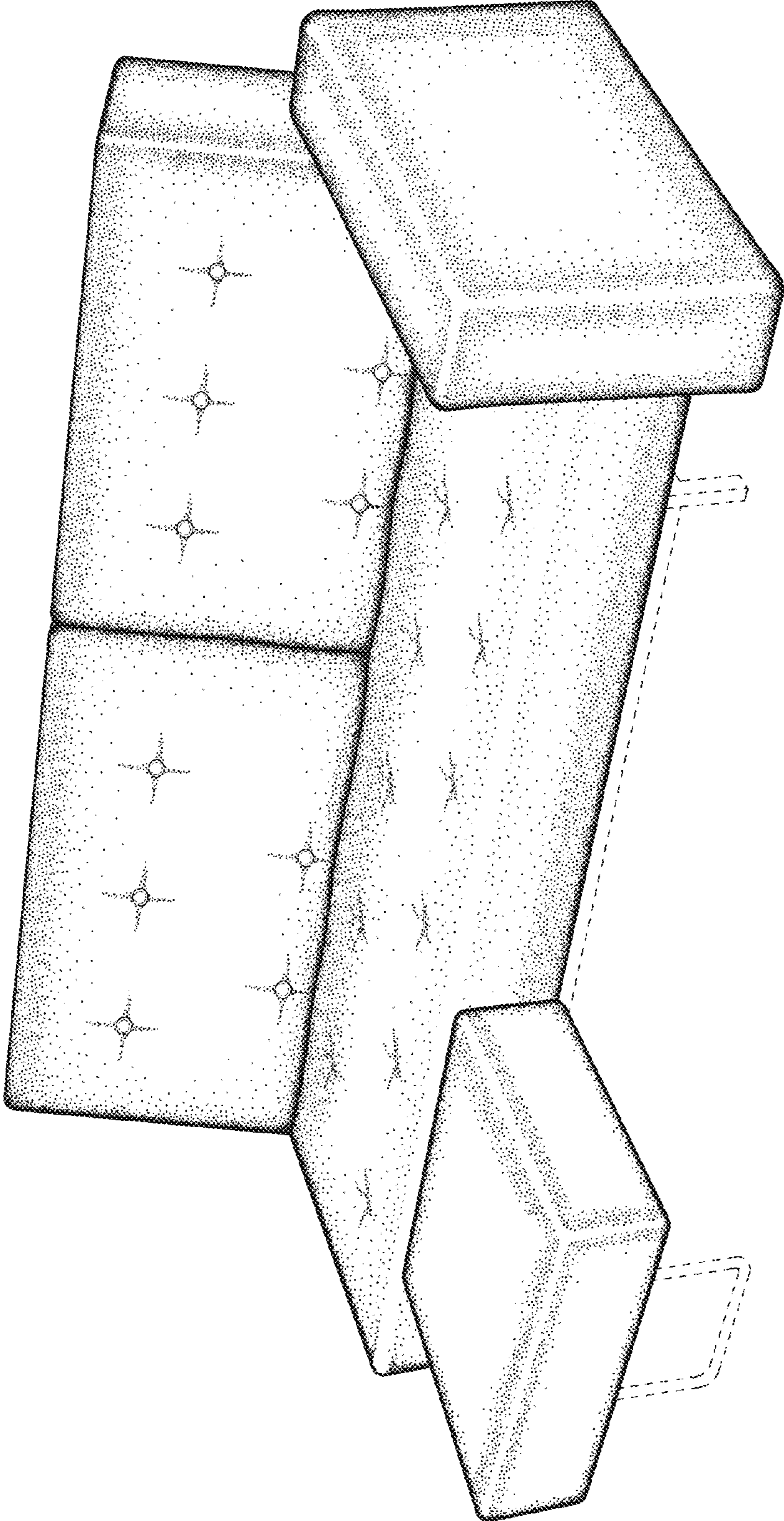


FIG. 6

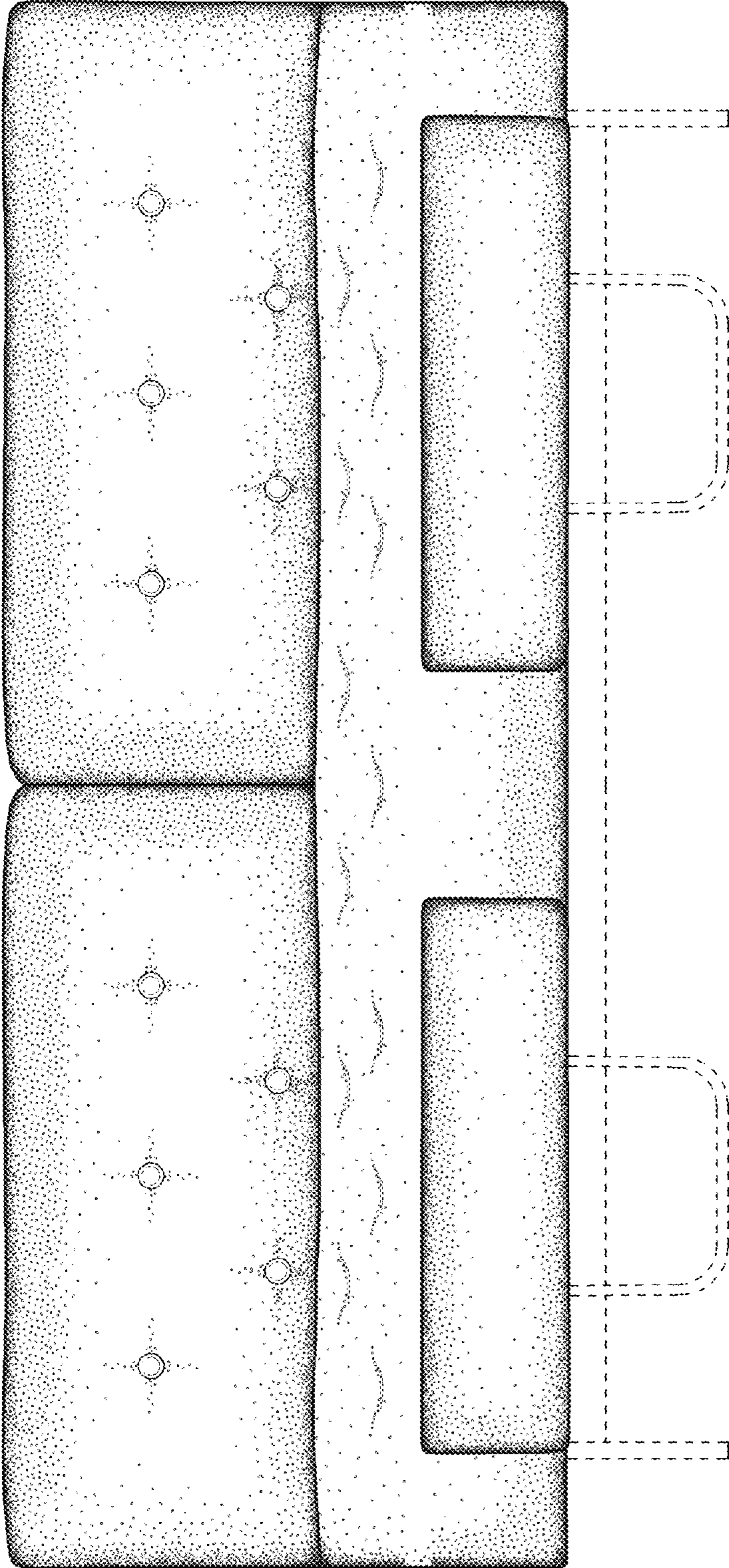


FIG. 7

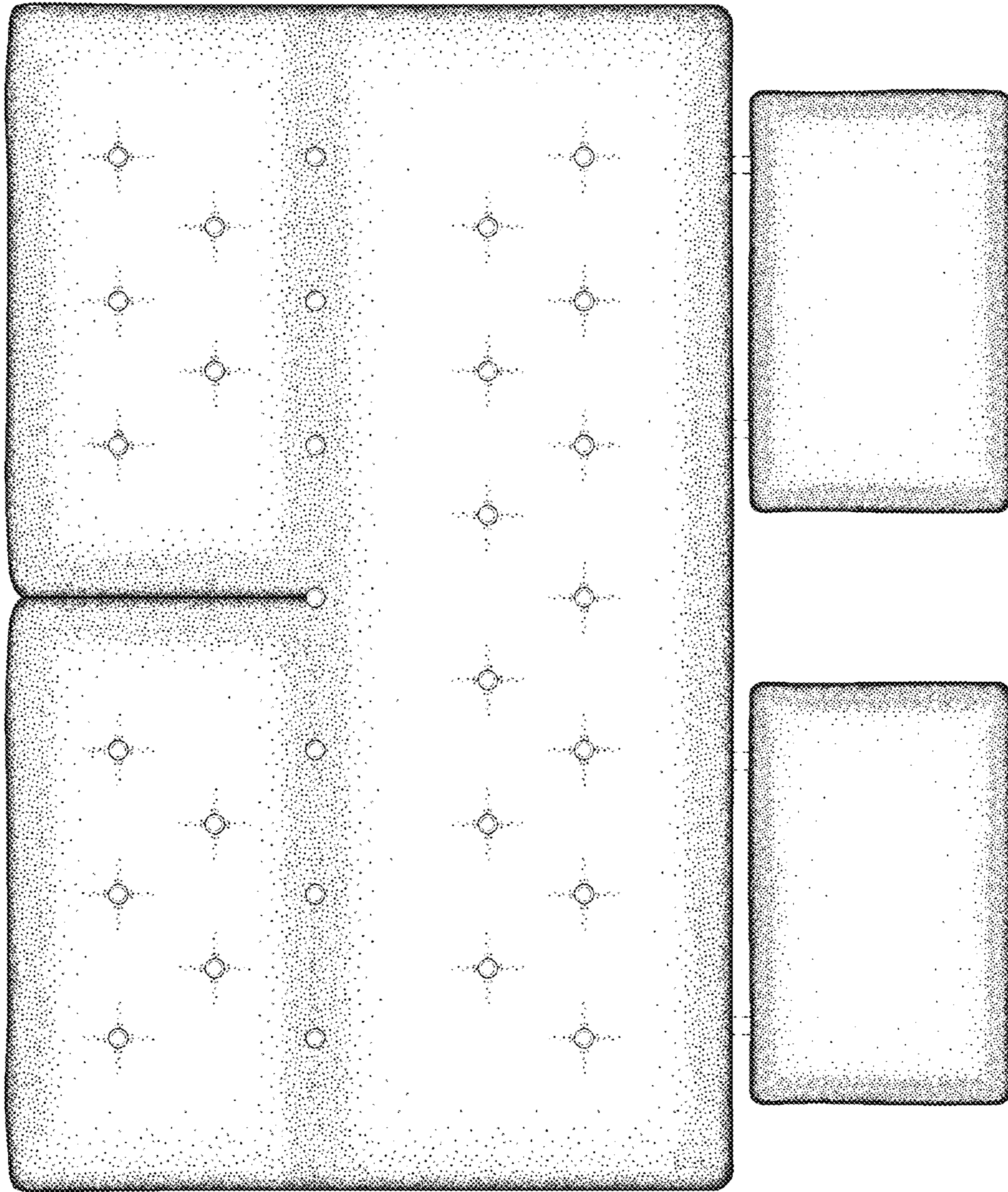


FIG. 8

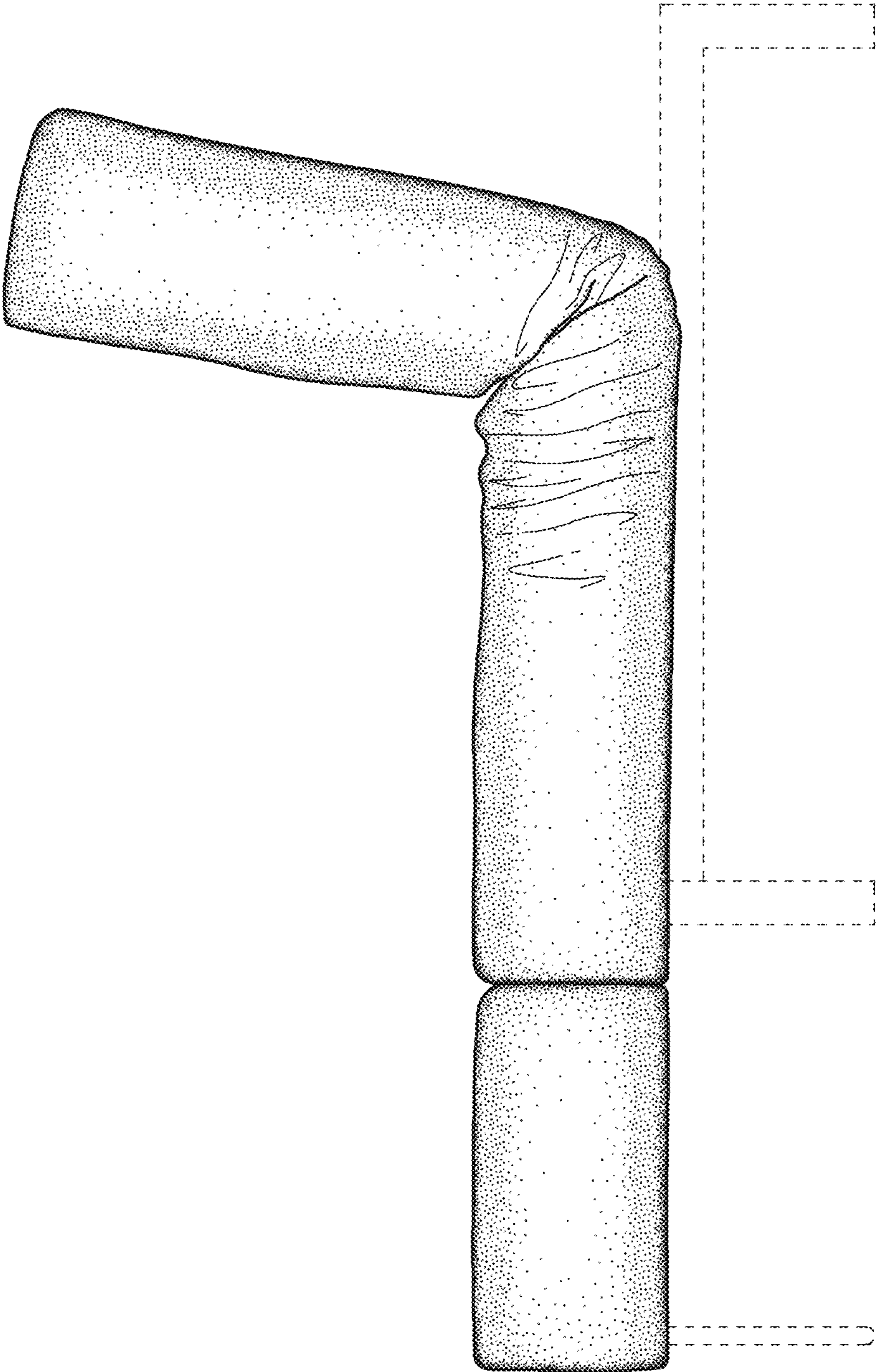


FIG. 9

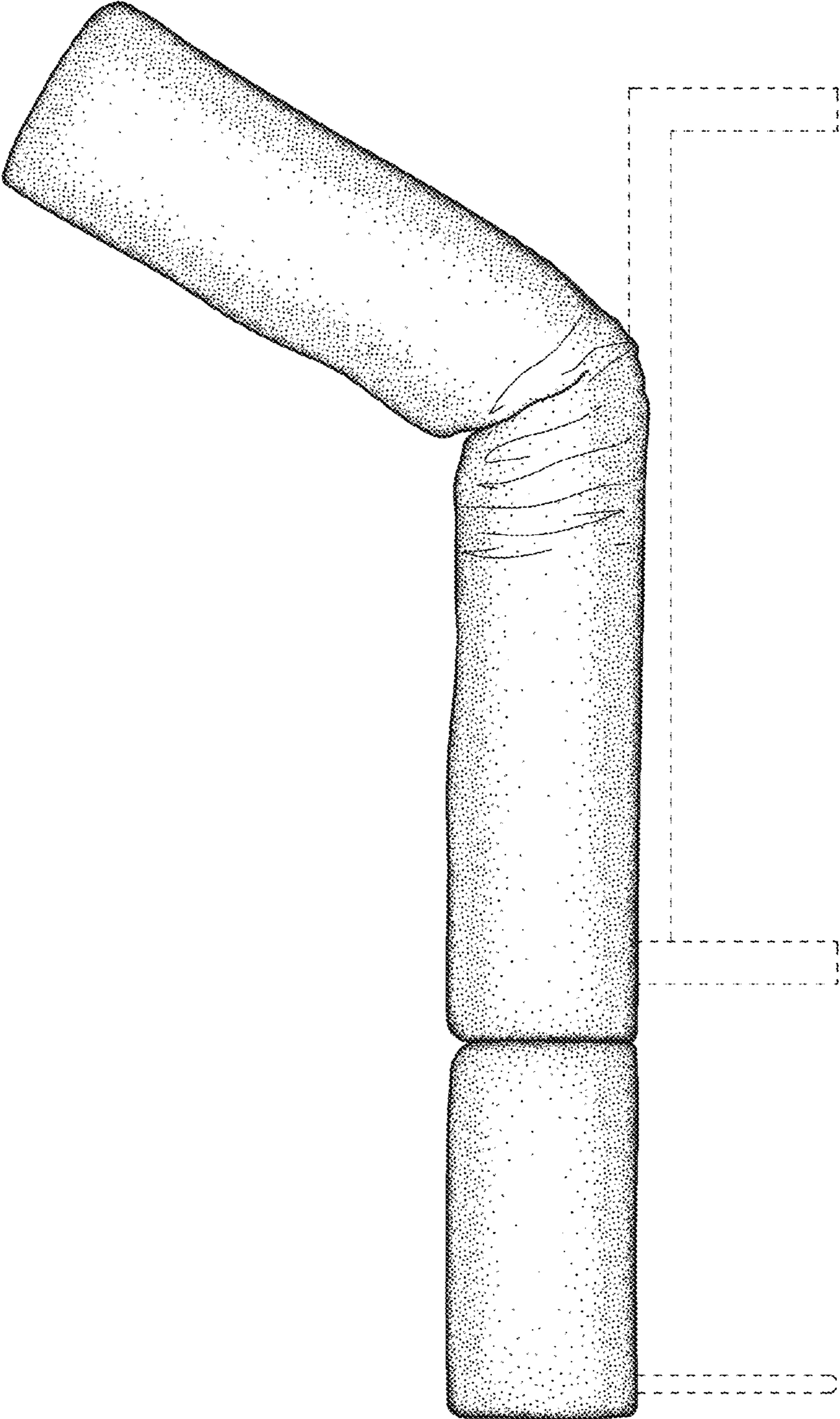


FIG. 10

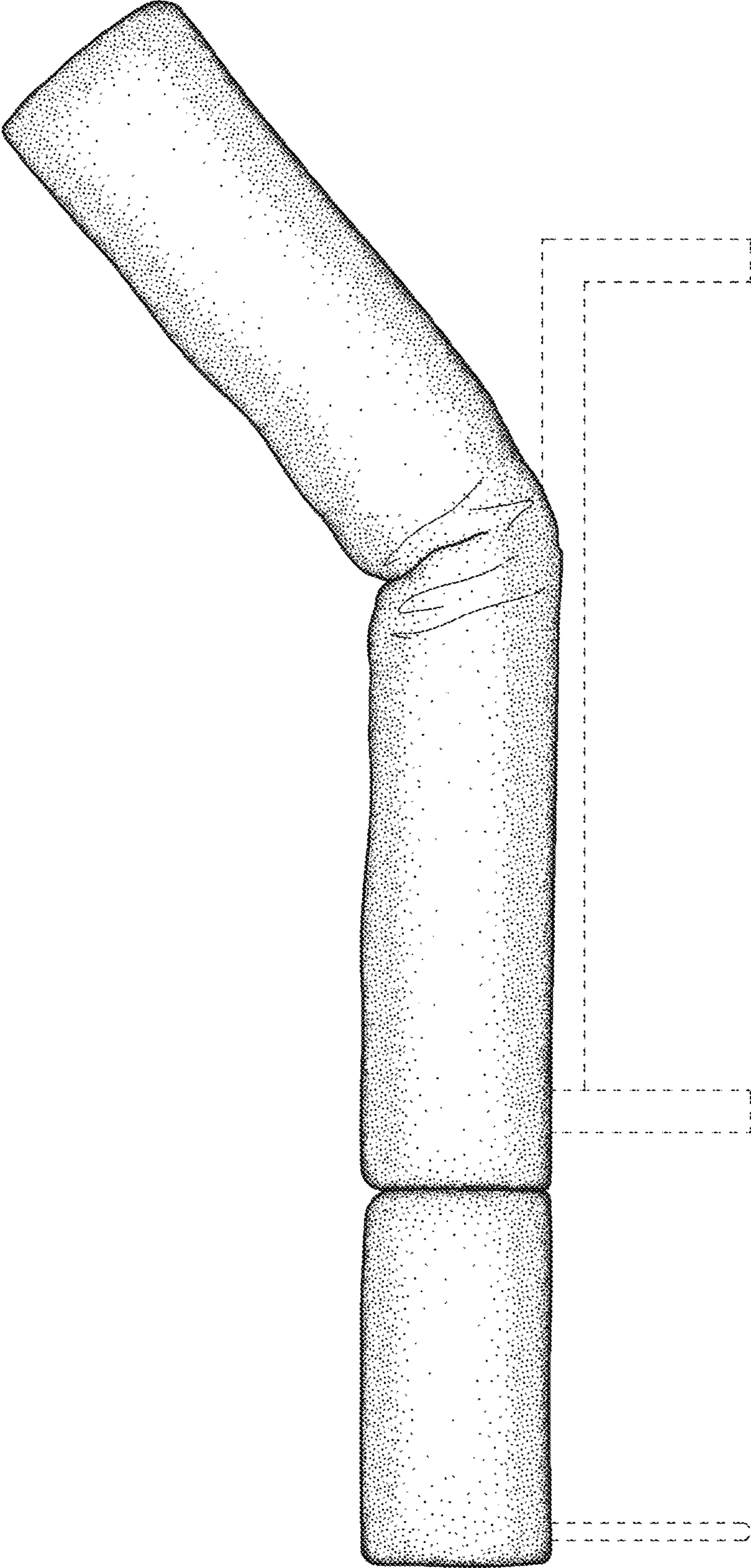


FIG. 11

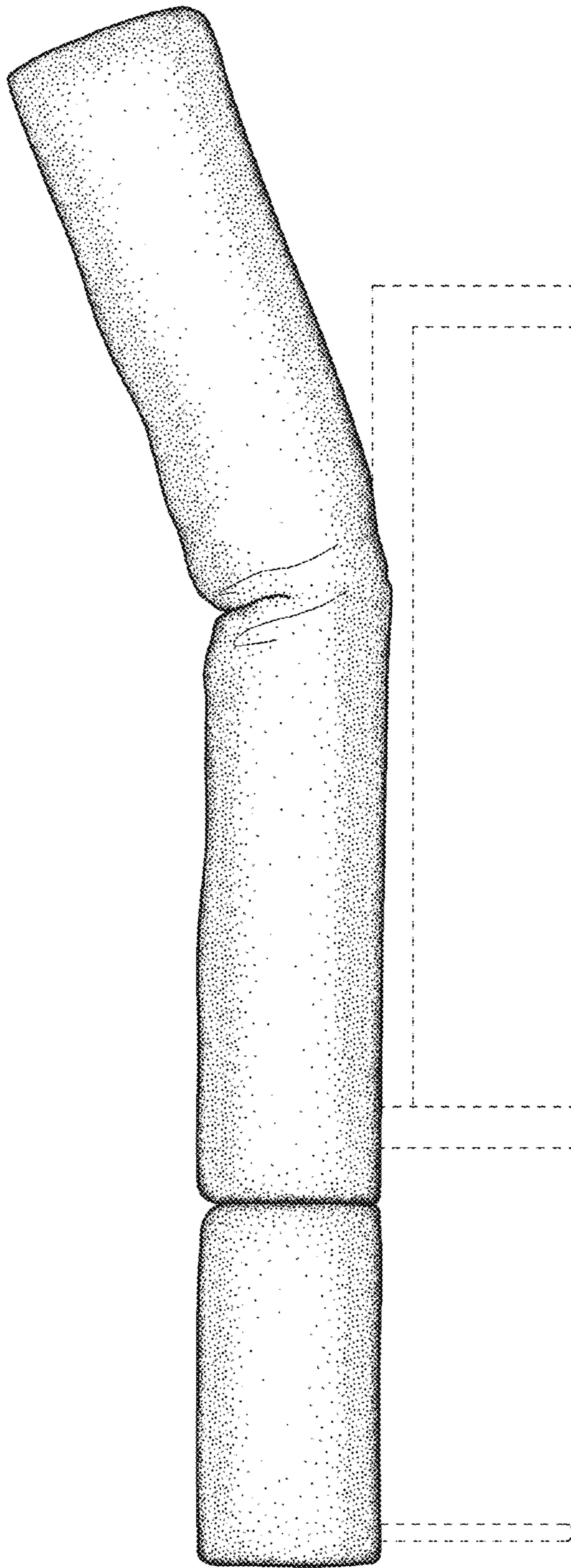


FIG. 12

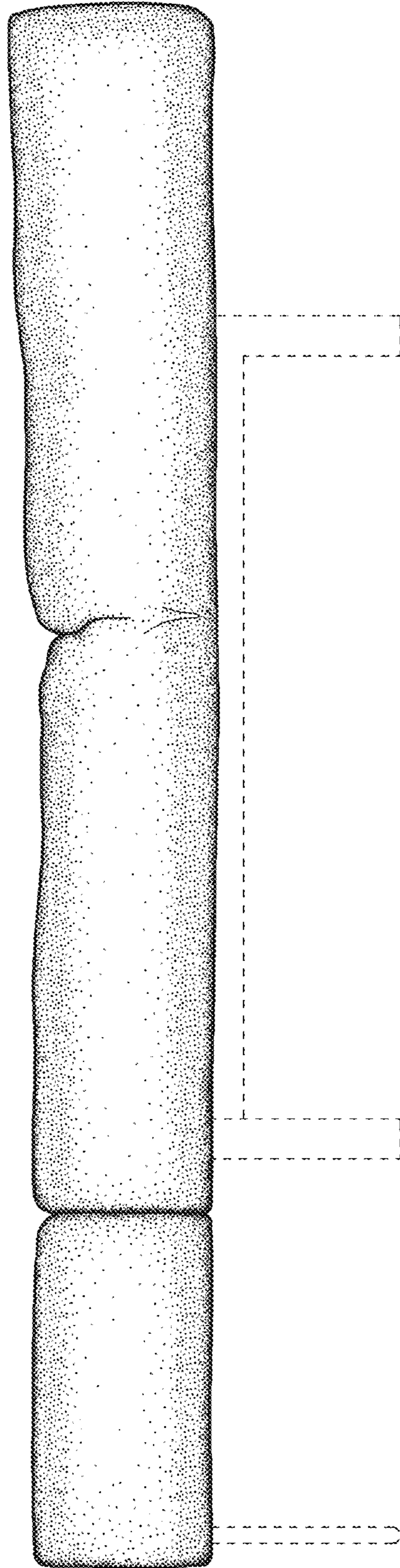


FIG. 13

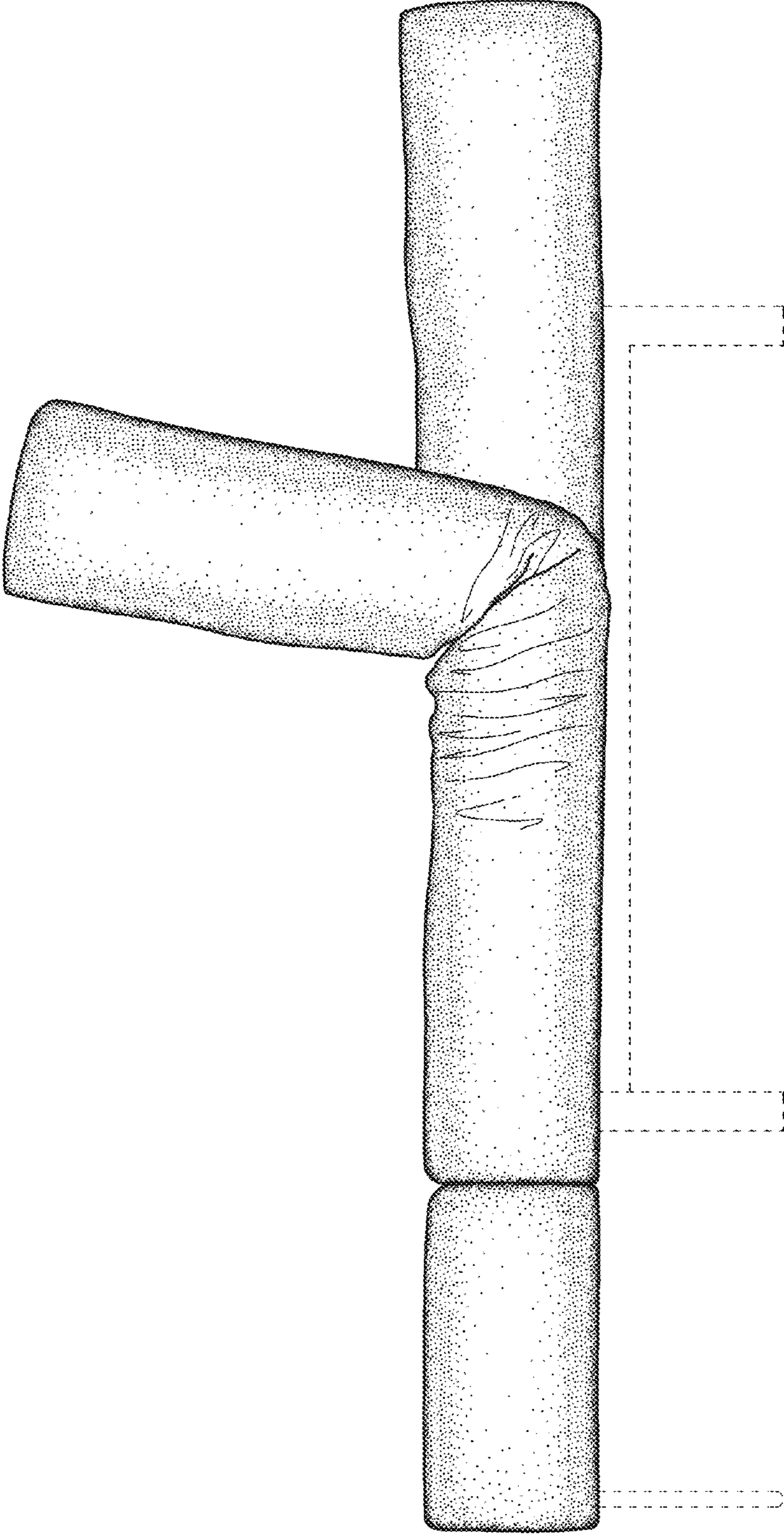


FIG. 14

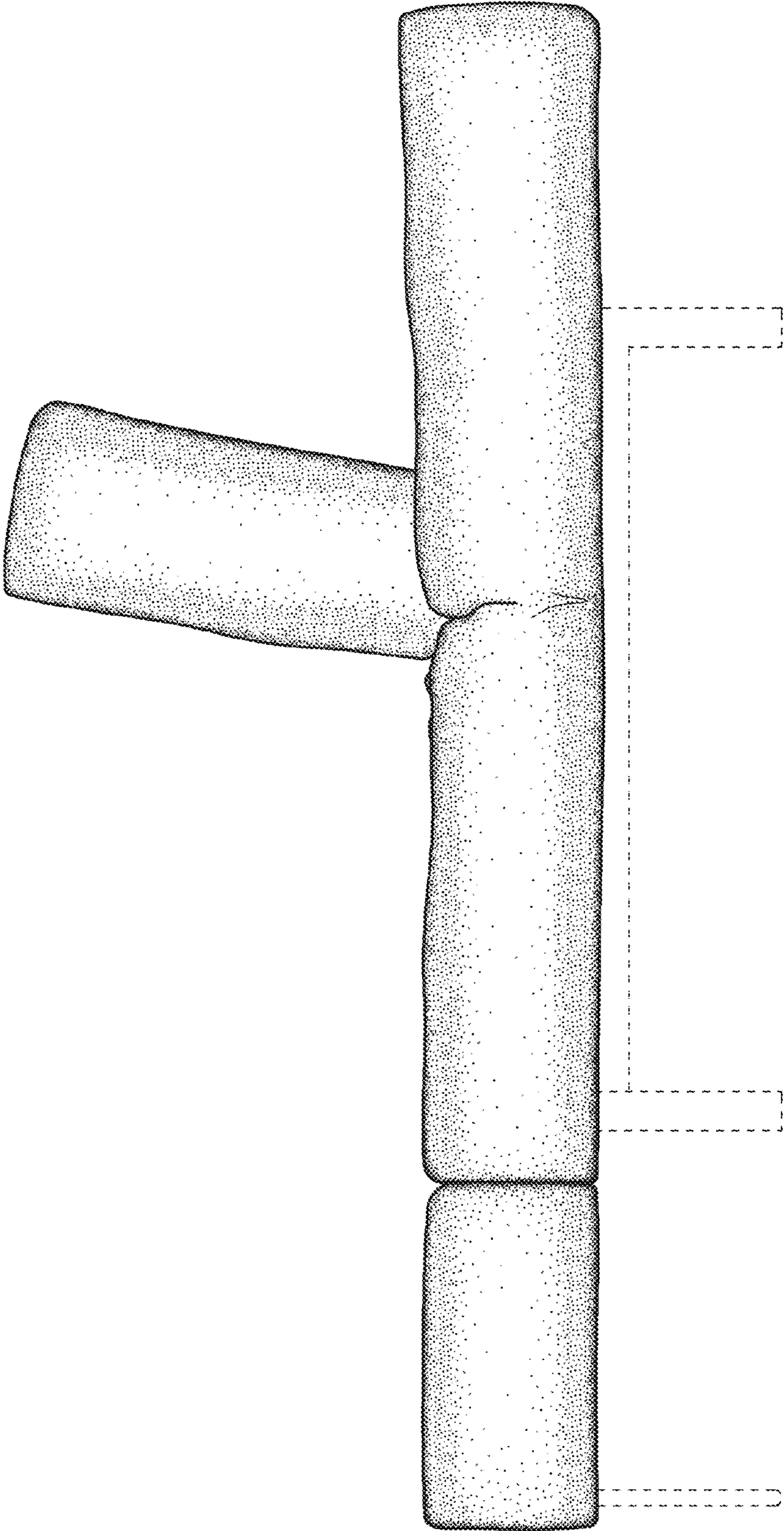


FIG. 15

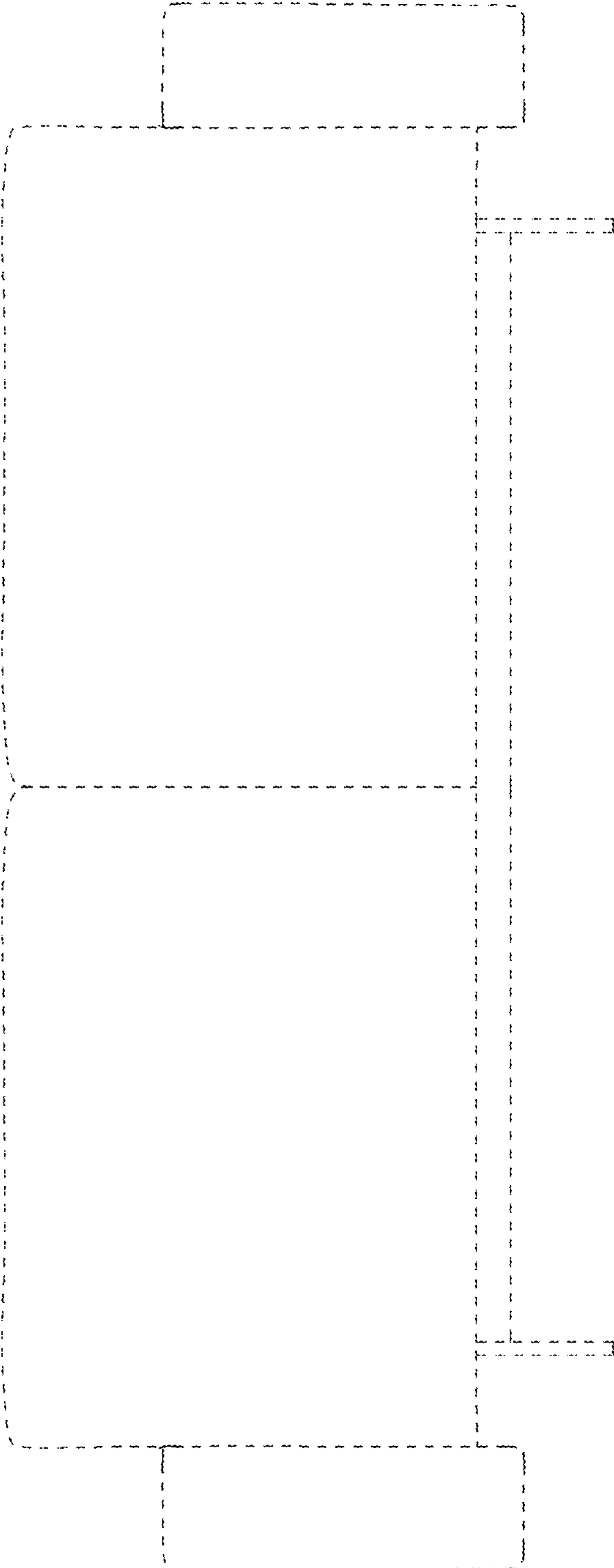


FIG. 16

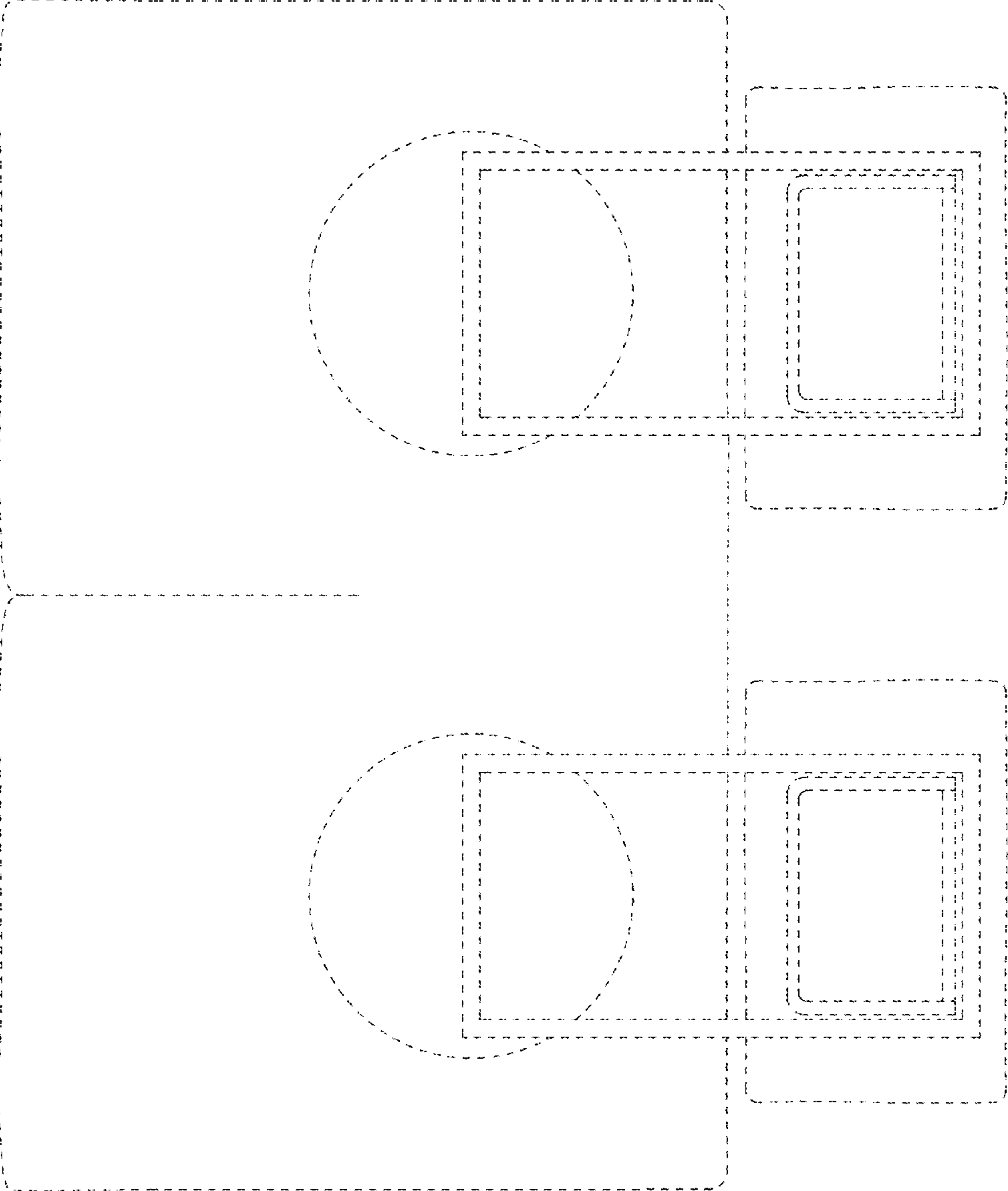


FIG. 17