



US00D718551S

(12) **United States Design Patent**  
**Banda**

(10) **Patent No.:** **US D718,551 S**

(45) **Date of Patent:** **\*\* Dec. 2, 2014**

(54) **FURNITURE**

(71) Applicant: **Andrea Banda**, Baldwyn, MS (US)

(72) Inventor: **Andrea Banda**, Baldwyn, MS (US)

(73) Assignee: **H.M. Richards, Inc.**, Baldwyn, MS (US)

(\*\*) Term: **14 Years**

(21) Appl. No.: **29/449,083**

(22) Filed: **Mar. 14, 2013**

(51) **LOC (10) Cl.** ..... **06-01**

(52) **U.S. Cl.**  
USPC ..... **D6/381**

(58) **Field of Classification Search**

CPC ..... A47C 17/00; A47C 17/02; A47C 17/12;  
A47C 17/18; A47C 7/021; A47C 31/00;  
A47C 3/16

USPC ..... D6/334, 335, 336, 379, 381, 369;  
297/94, 118, 232, 445.1, 448.1, DIG. 7

See application file for complete search history.

(56) **References Cited**

**U.S. PATENT DOCUMENTS**

D177,455 S *	4/1956	Young .....	D6/381
D180,697 S *	7/1957	Peabody .....	D6/381
D187,790 S *	5/1960	Caldemeyer .....	D6/381
D360,997 S *	8/1995	Hutton .....	D6/381
D439,752 S *	4/2001	Natuzzi et al. ....	D6/334
D495,892 S *	9/2004	Ricci .....	D6/381
D570,129 S *	6/2008	Natuzzi .....	D6/381
D575,545 S *	8/2008	Weiss .....	D6/381
D592,877 S *	5/2009	Natuzzi .....	D6/381
D614,884 S *	5/2010	Metcalf et al. ....	D6/381
D677,489 S *	3/2013	Digirolamo .....	D6/381

\* cited by examiner

*Primary Examiner* — Sandra Snapp

(74) *Attorney, Agent, or Firm* — John Smith T; Jeremy A. Smith; Bradley Arant Boult Cummings LLP

(57) **CLAIM**

The ornamental design for furniture, as shown and described.

**DESCRIPTION**

FIG. 1 is a front view of a first embodiment of the furniture; FIG. 2 is a top perspective view of the embodiment of furniture shown in FIG. 1;

FIG. 3 is a front perspective view of the embodiment of furniture shown in FIG. 1;

FIG. 4 is an alternate front perspective view of the embodiment of furniture shown in FIG. 1;

FIG. 5 is a side view of the embodiment of furniture shown in FIG. 1;

FIG. 6 is an alternate side view of the embodiment of furniture shown in FIG. 1;

FIG. 7 is a front view of a second embodiment of the furniture, the side views of this embodiment are identical to those shown in FIGS. 5 & 6;

FIG. 8 is a top view of the embodiment of furniture shown in FIG. 7;

FIG. 9 is a front perspective view of the embodiment of furniture shown in FIG. 7;

FIG. 10 is an alternate front perspective view of the embodiment of furniture shown in FIG. 7;

FIG. 11 is a front view of a third embodiment of furniture, the side views of this embodiment are identical to those shown in FIGS. 5 and 6;

FIG. 12 is a top view of the embodiment of furniture shown in FIG. 11;

FIG. 13 is a front perspective view of the embodiment of furniture shown in FIG. 11;

FIG. 14 is an alternate front perspective view of the embodiment of furniture shown in FIG. 11;

FIG. 15 is a front view of a fourth embodiment of furniture; FIG. 16 is a top perspective view of the embodiment of furniture shown in FIG. 15;

FIG. 17 is a front perspective view of the embodiment of furniture shown in FIG. 15;

FIG. 18 is an alternate front perspective view of the embodiment of furniture shown in FIG. 15;

FIG. 19 is a side view of the embodiment of furniture shown in FIG. 15;

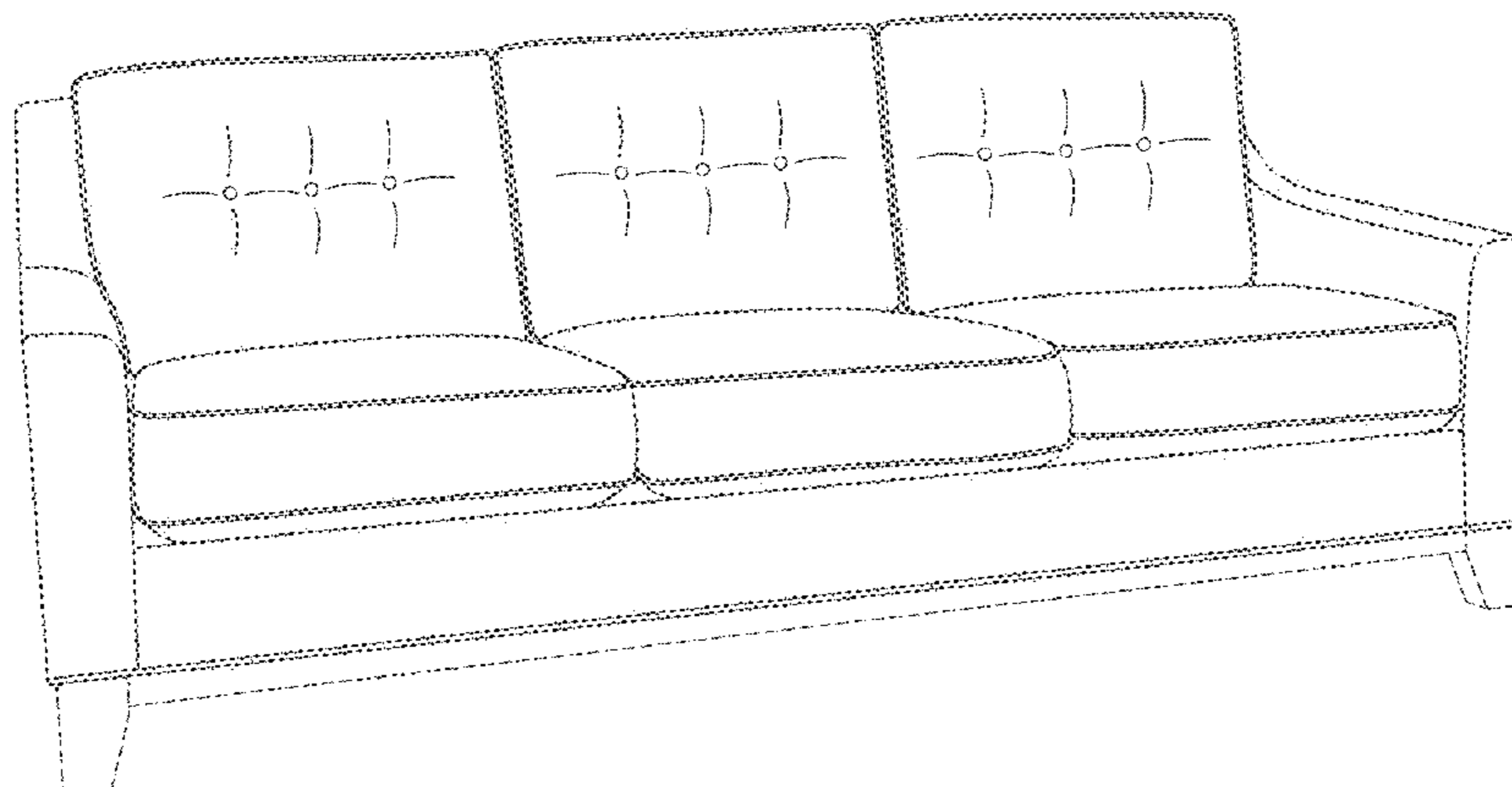


FIG. **20** is an alternate side view of the embodiment of furniture shown in FIG. **15**;

FIG. **21** is a front view of a fifth embodiment of furniture, the side views of this embodiment are identical to those shown in FIGS. **19** and **20**;

FIG. **22** is a top view of the embodiment of furniture shown in FIG. **21**;

FIG. **23** is a front perspective view of the embodiment of furniture shown in FIG. **21**;

FIG. **24** is an alternate front perspective view of the embodiment of furniture shown in FIG. **21**;

FIG. **25** is a front view of a sixth embodiment of furniture, the side view of this embodiment are identical to those shown in FIGS. **19** and **20**;

FIG. **26** is a top view of the embodiment of furniture shown in FIG. **25**;

FIG. **27** is a front perspective view of the embodiment of furniture shown in FIG. **25**; and,

FIG. **28** is an alternate front perspective view of the embodiment of furniture shown in FIG. **25**.

The dashed lines shown in the drawings illustrate environmental structure and form no part of the claimed design.

**1 Claim, 18 Drawing Sheets**

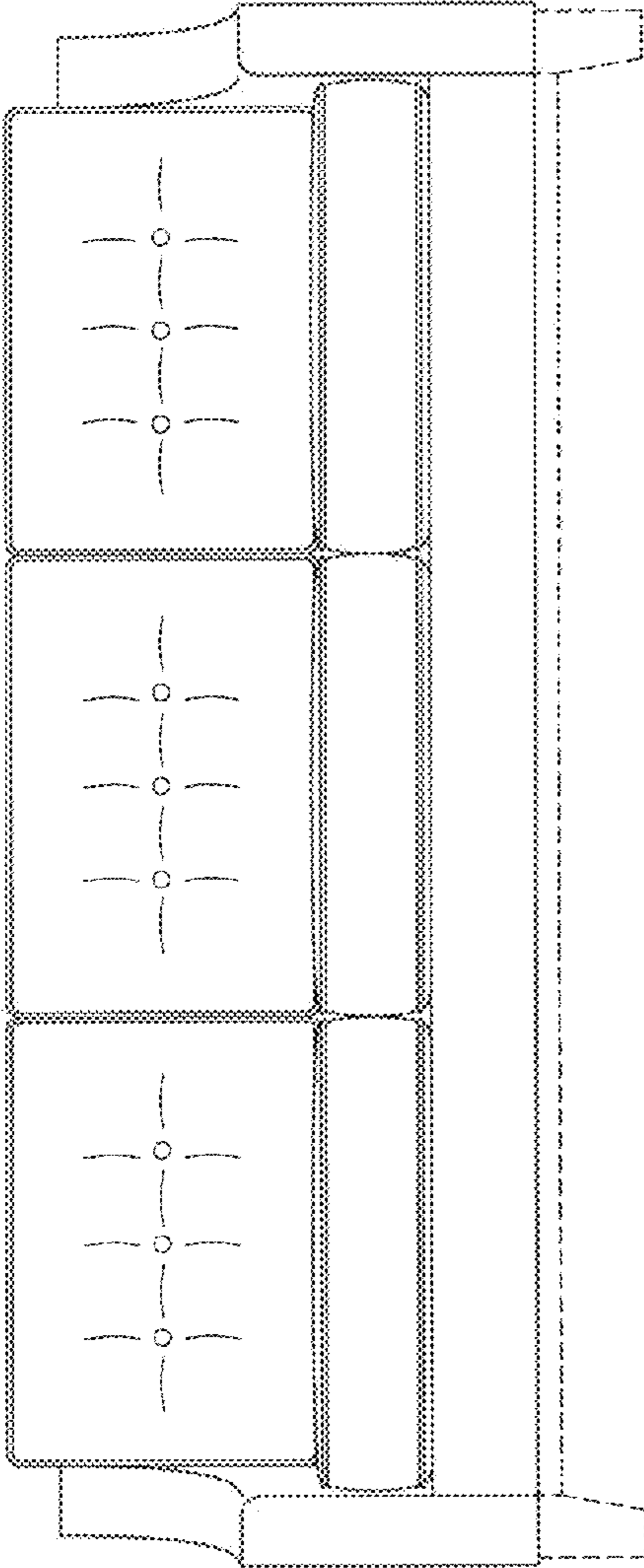


FIG. 1

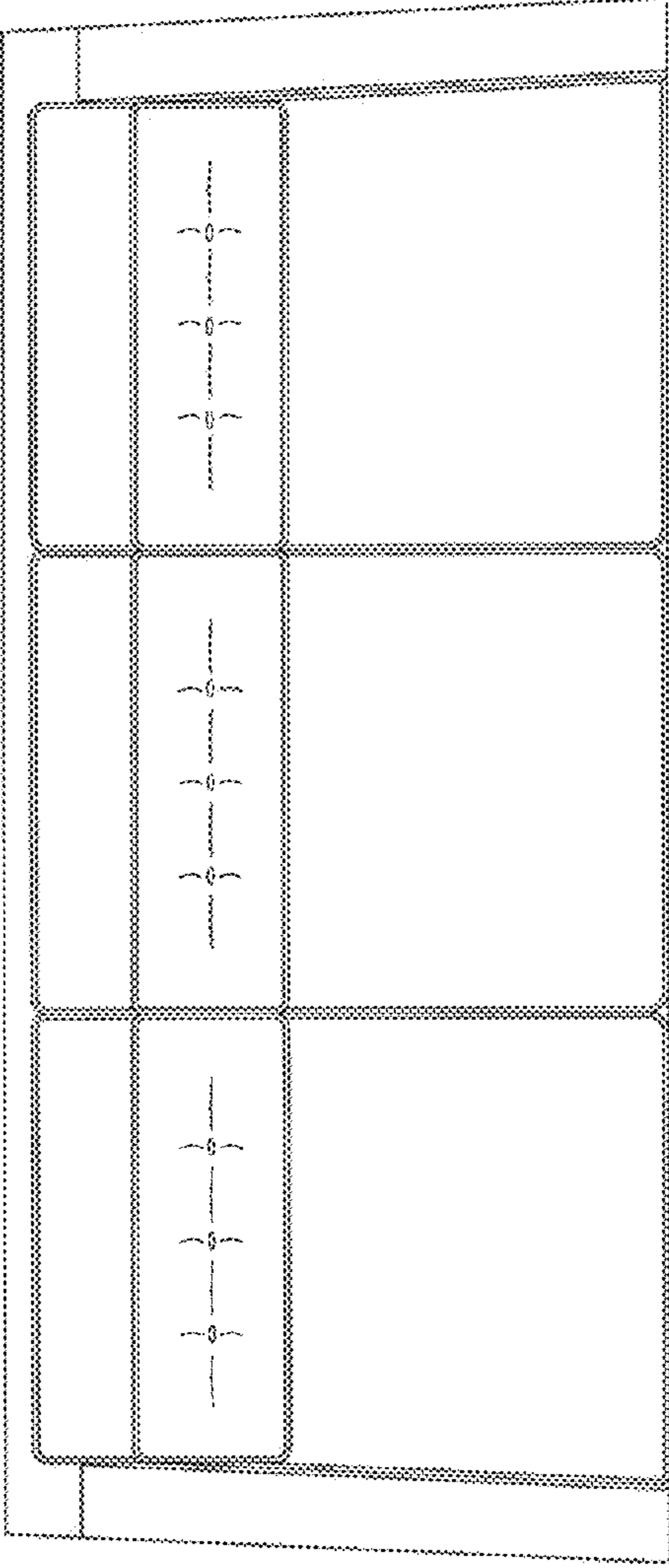


FIG. 2

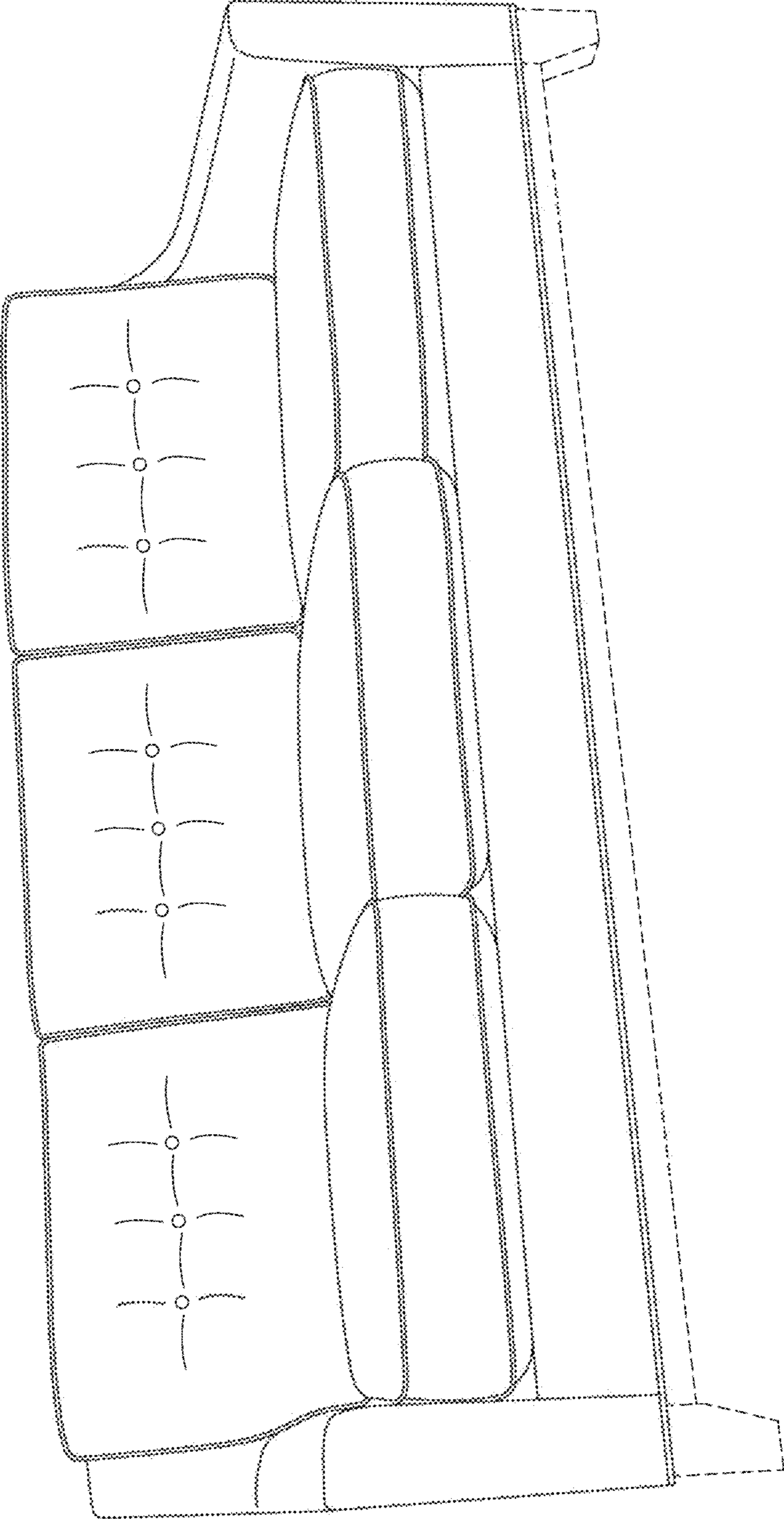


FIG. 3

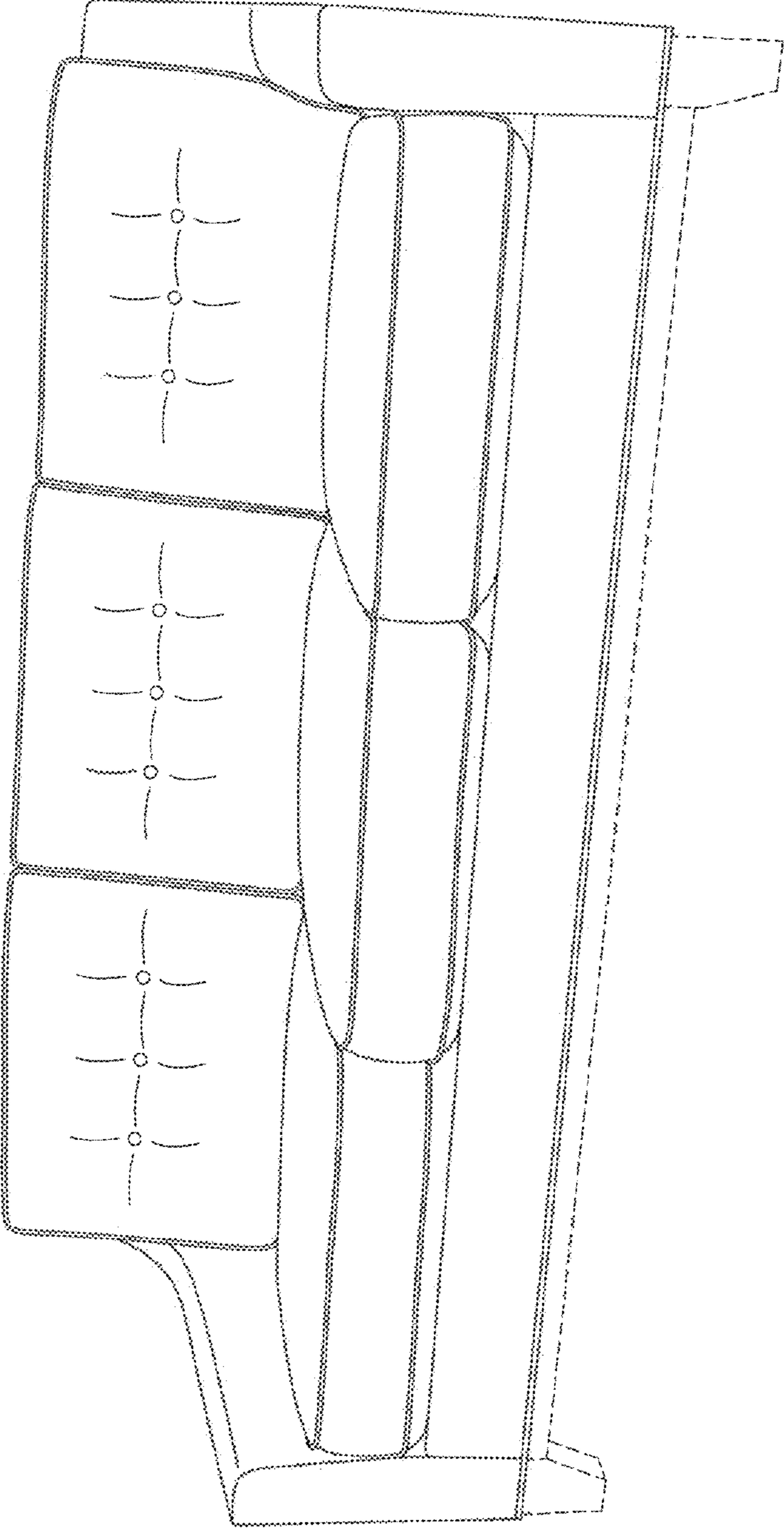


FIG. 4

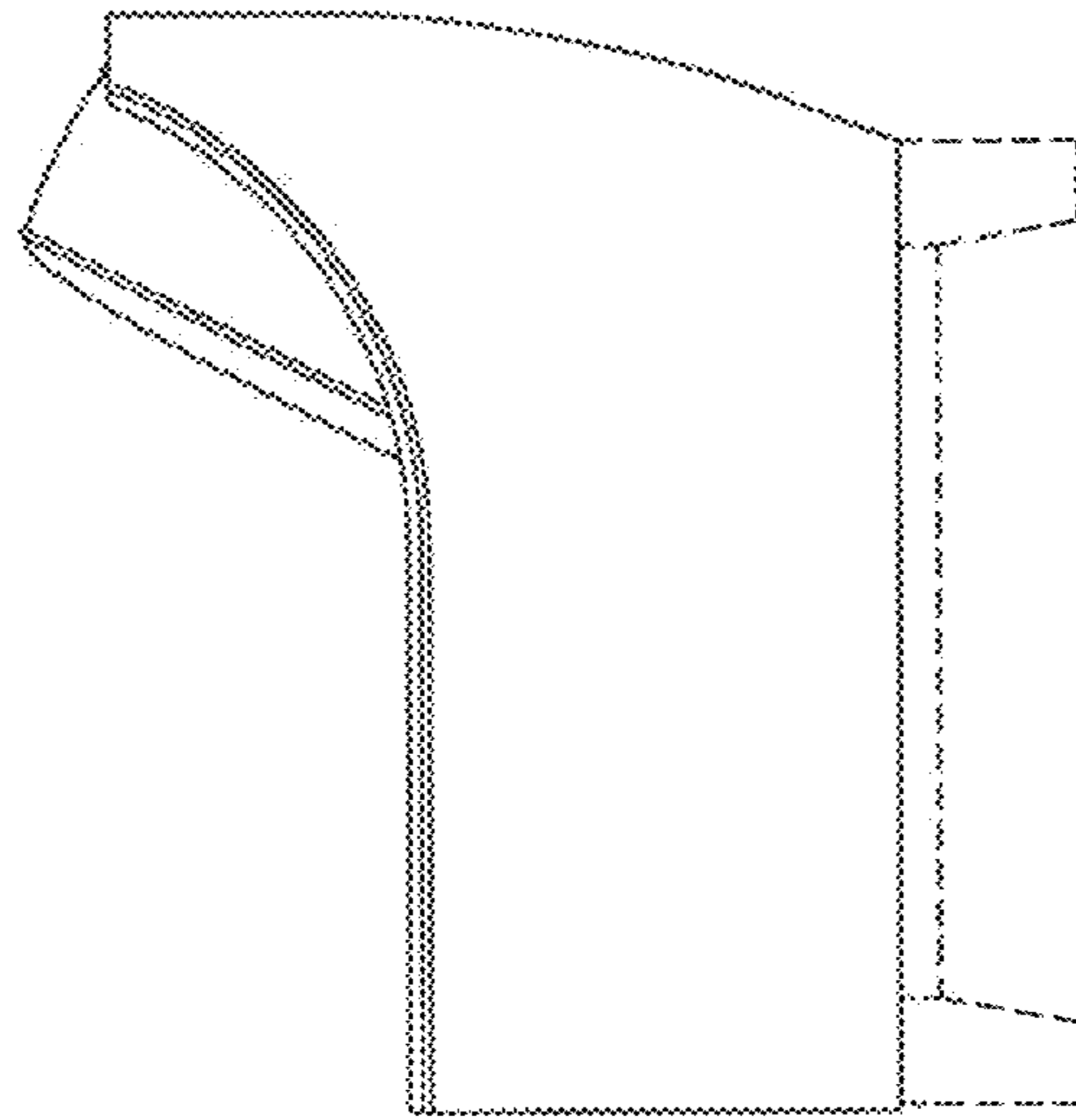


FIG. 6

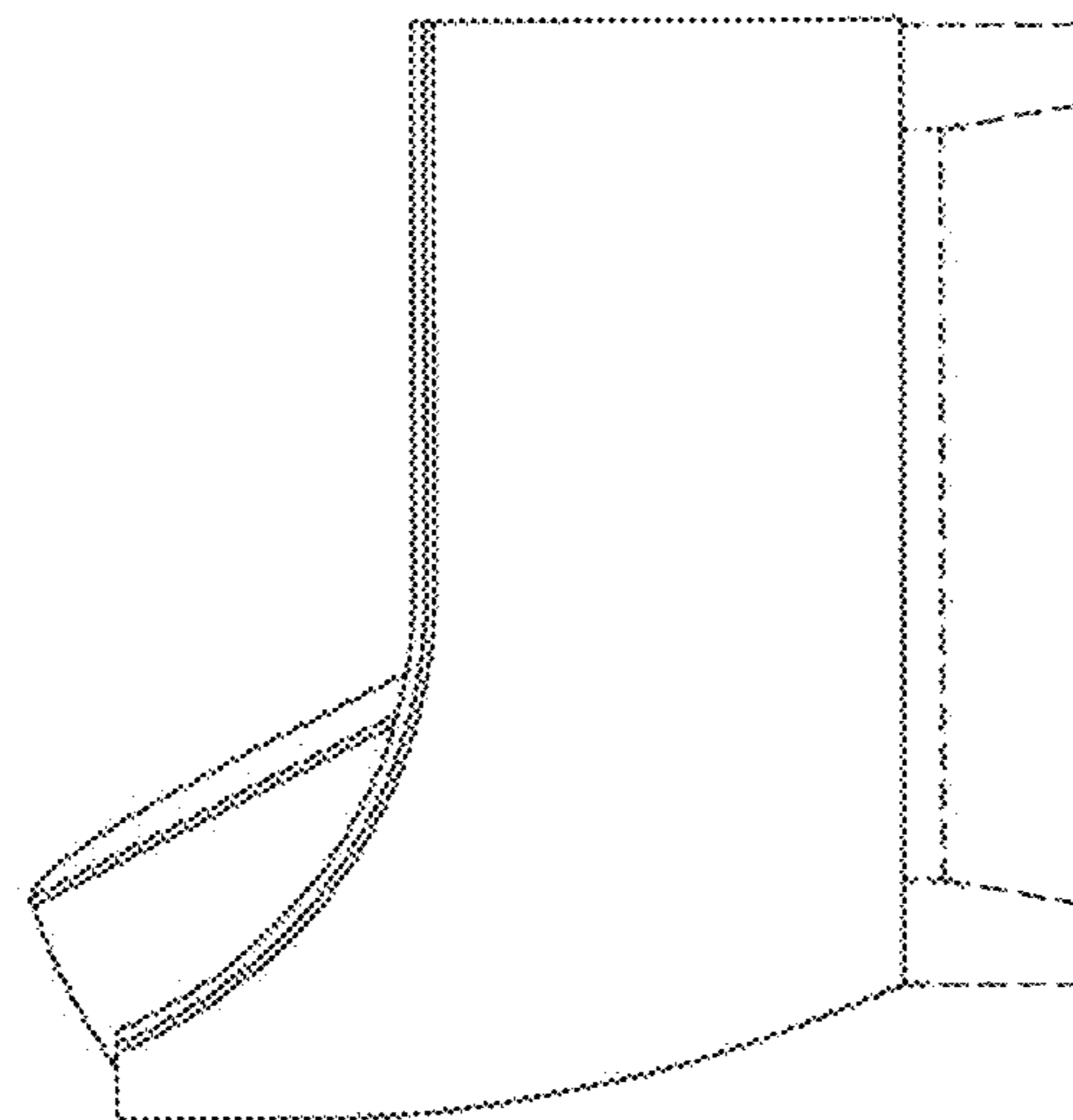


FIG. 5

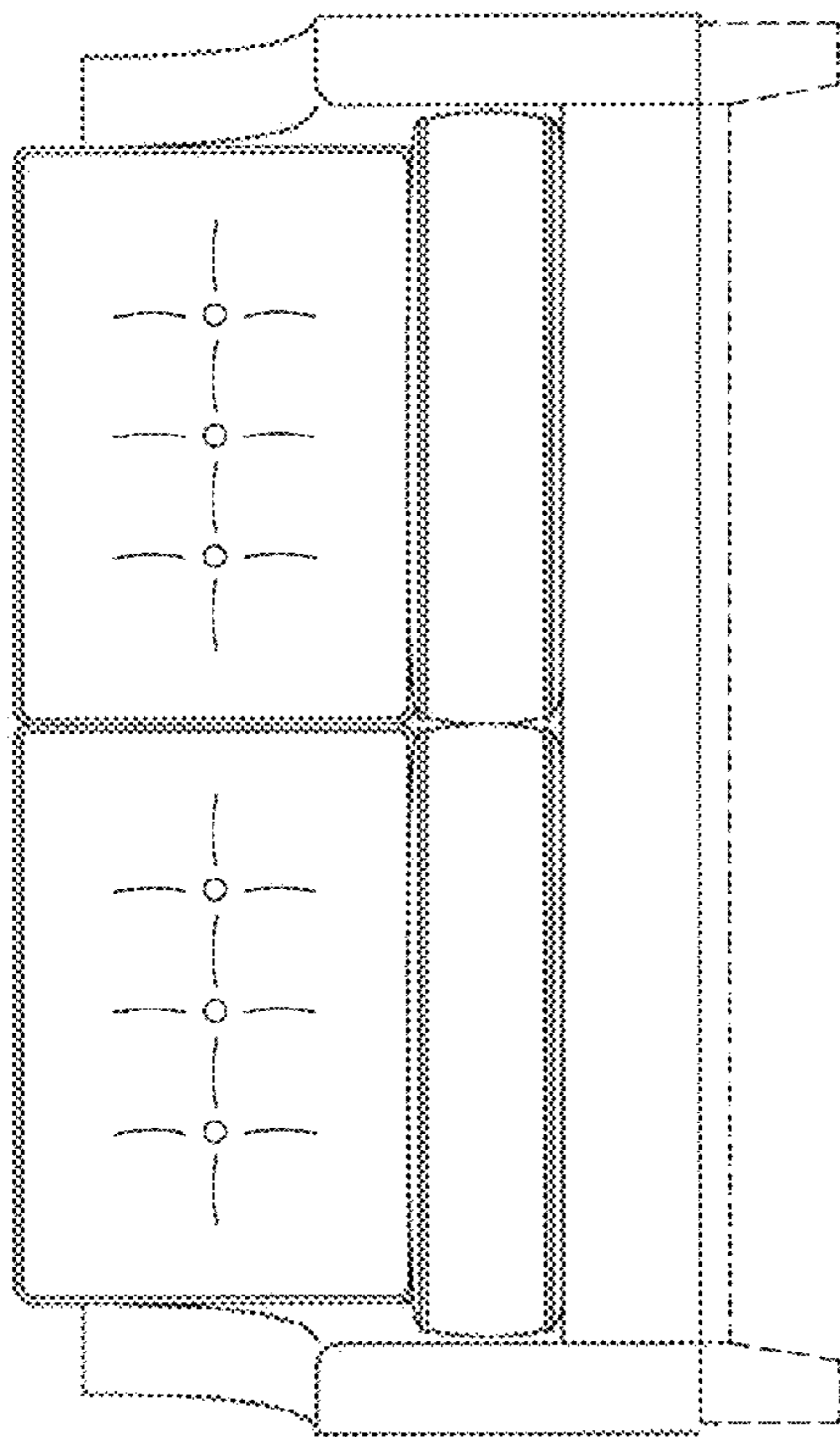


FIG. 7

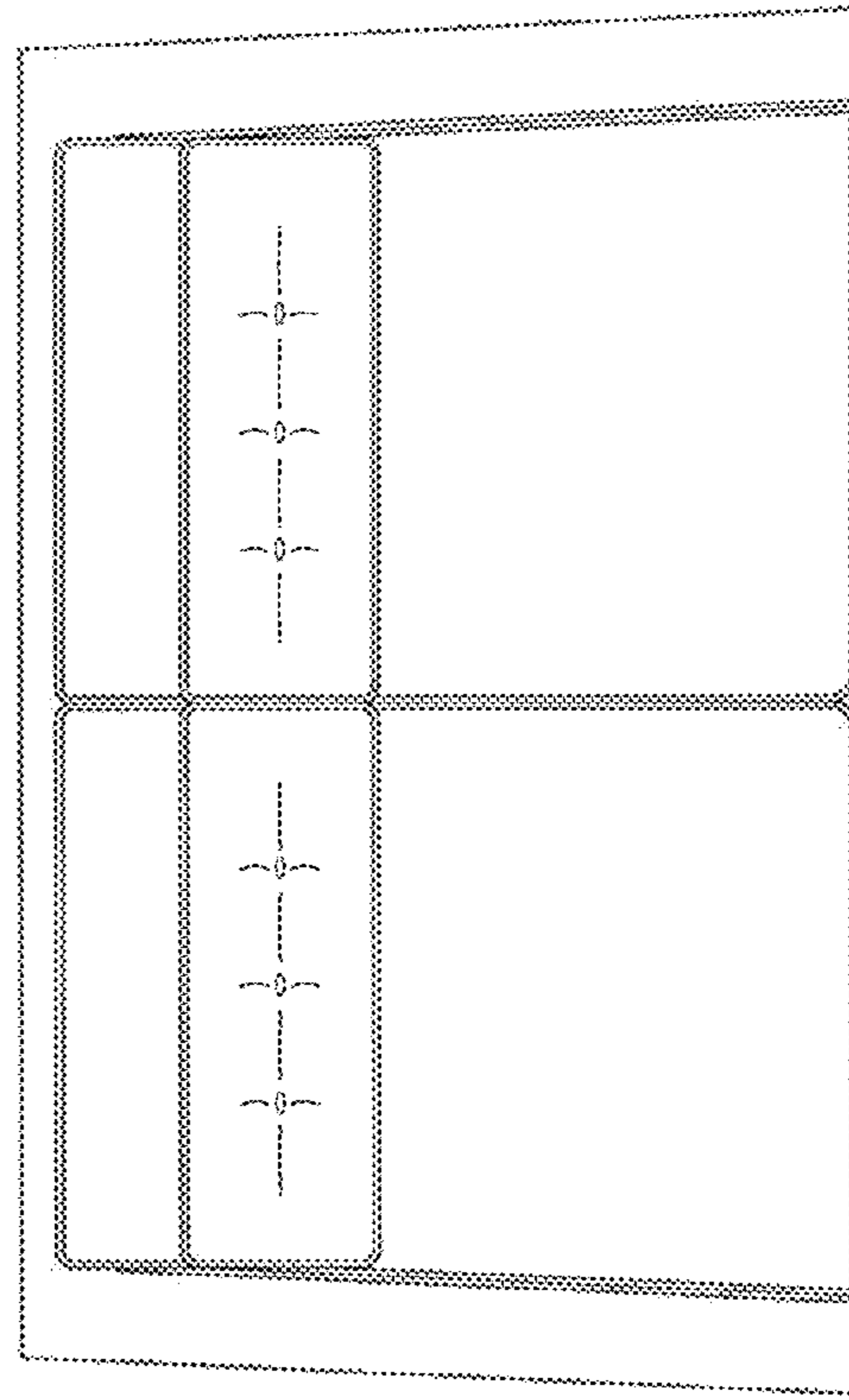


FIG. 8

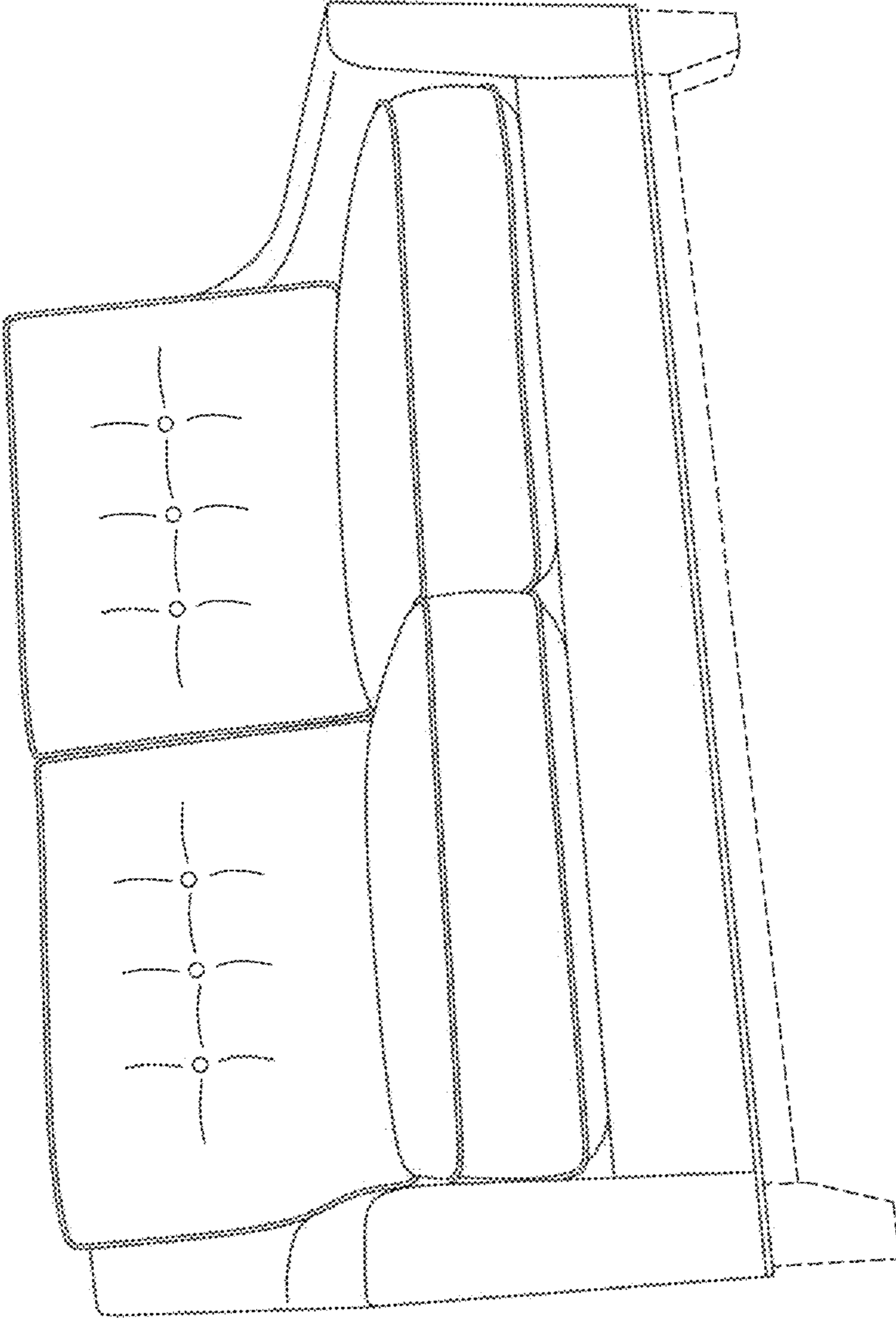


FIG. 9



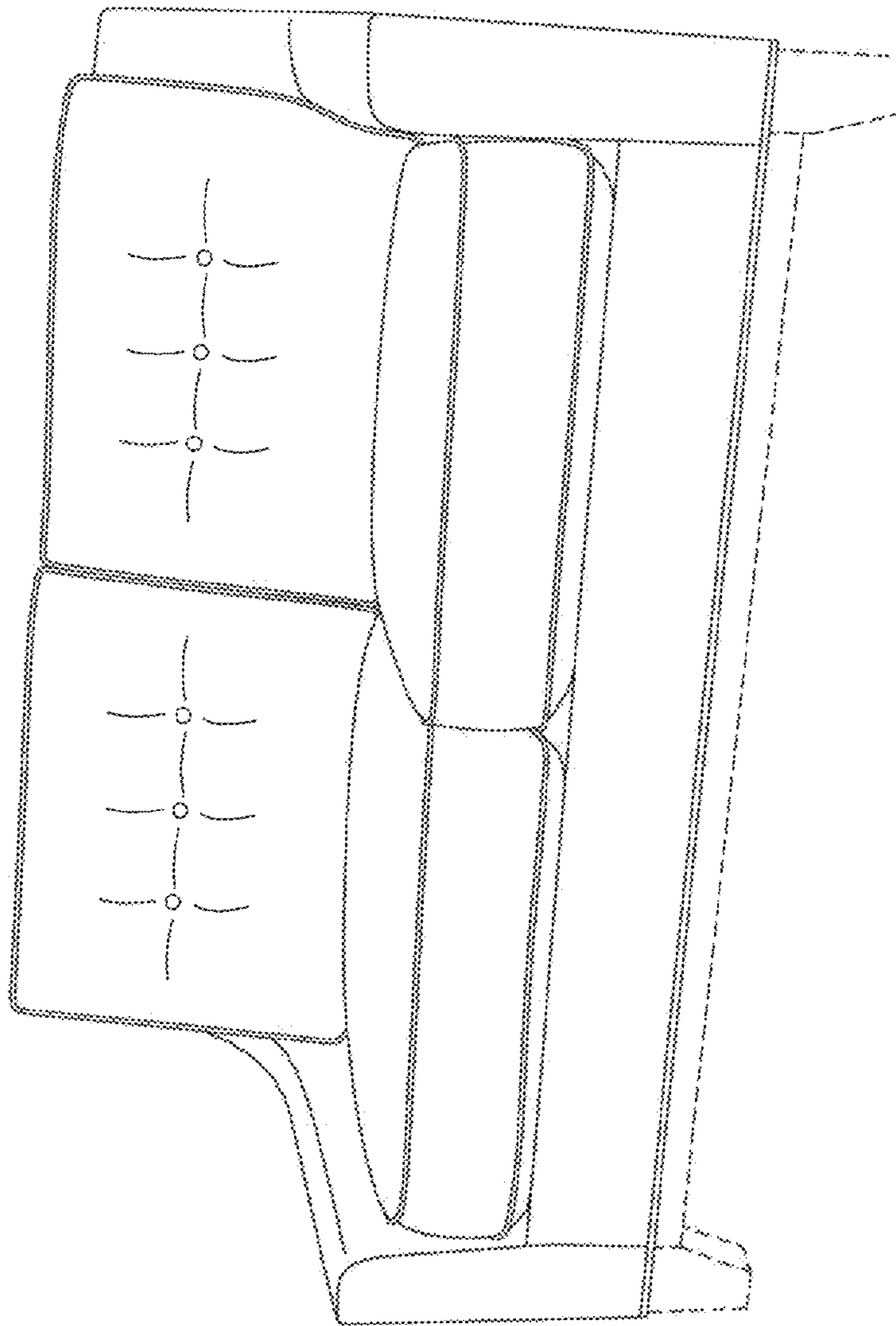


FIG. 10

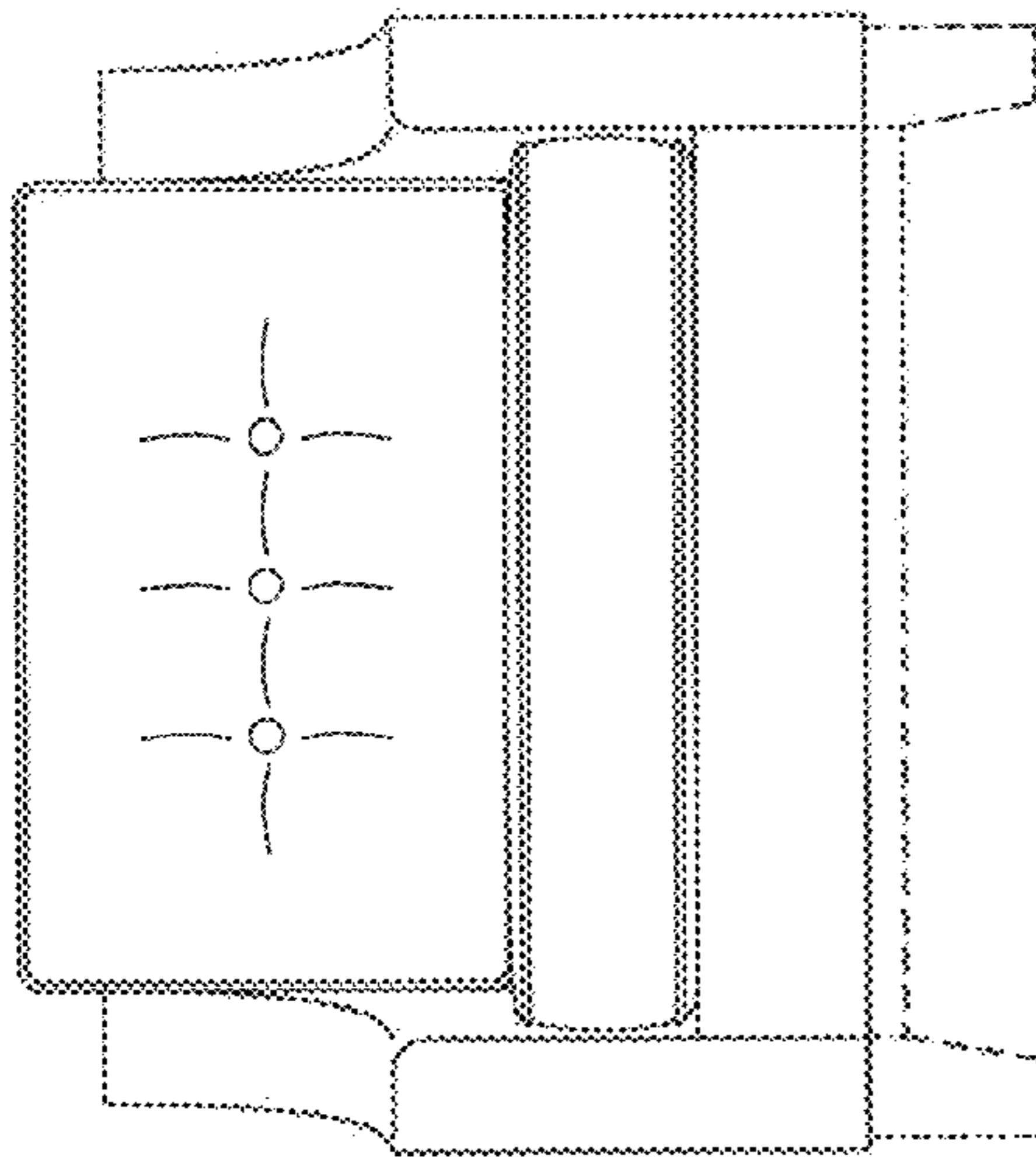


FIG. 11

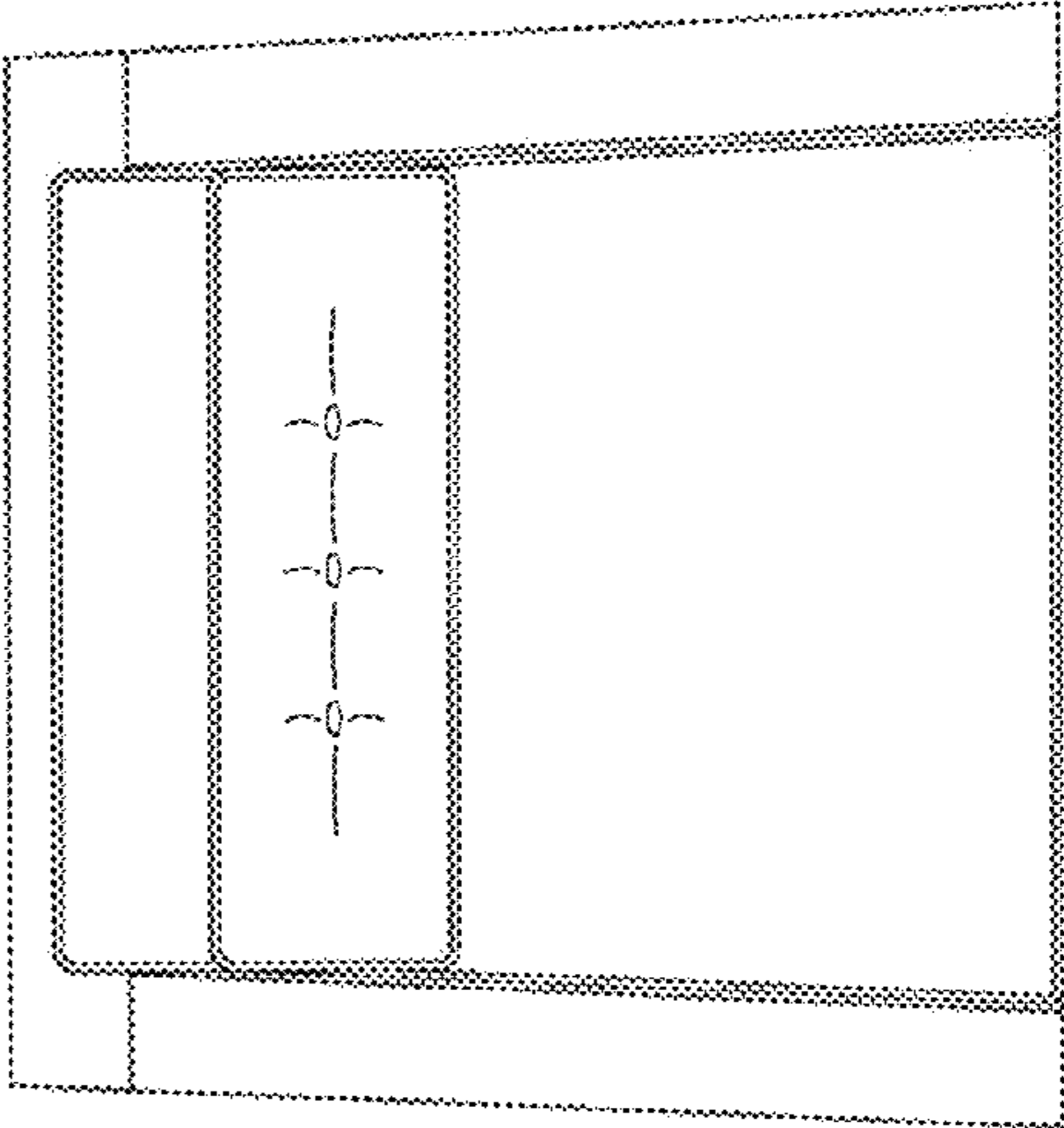


FIG. 12

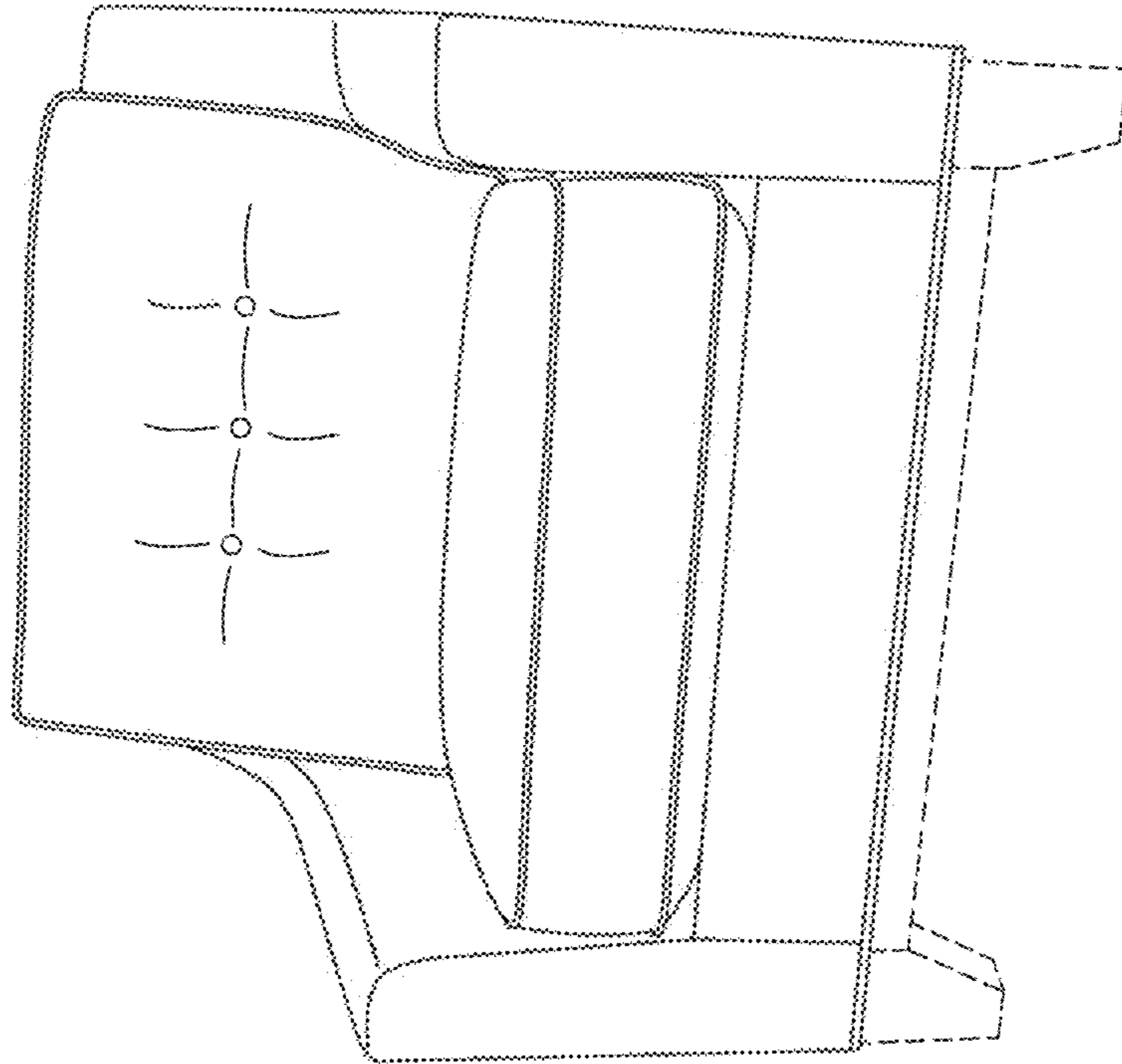


FIG. 13

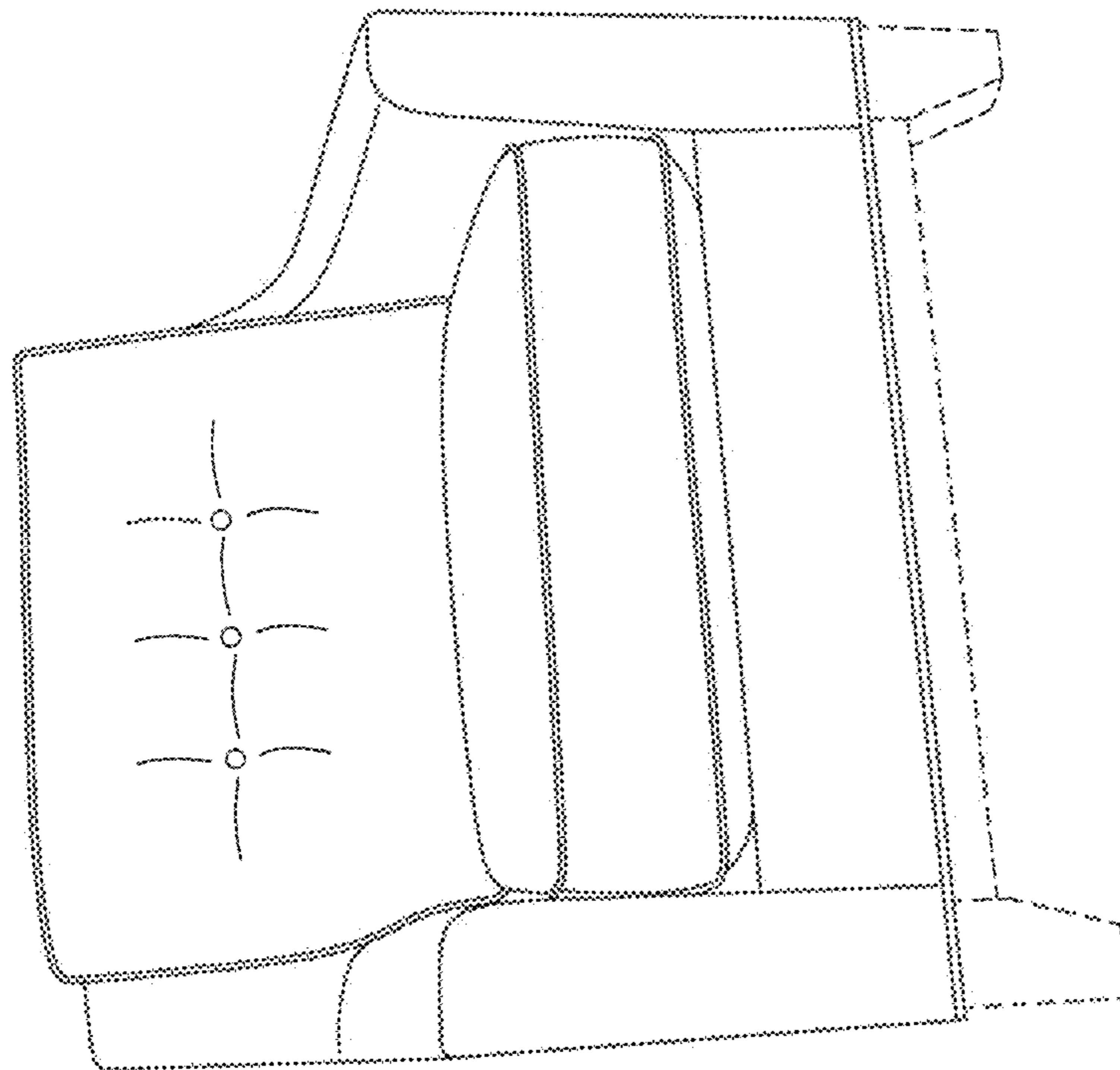


FIG. 14

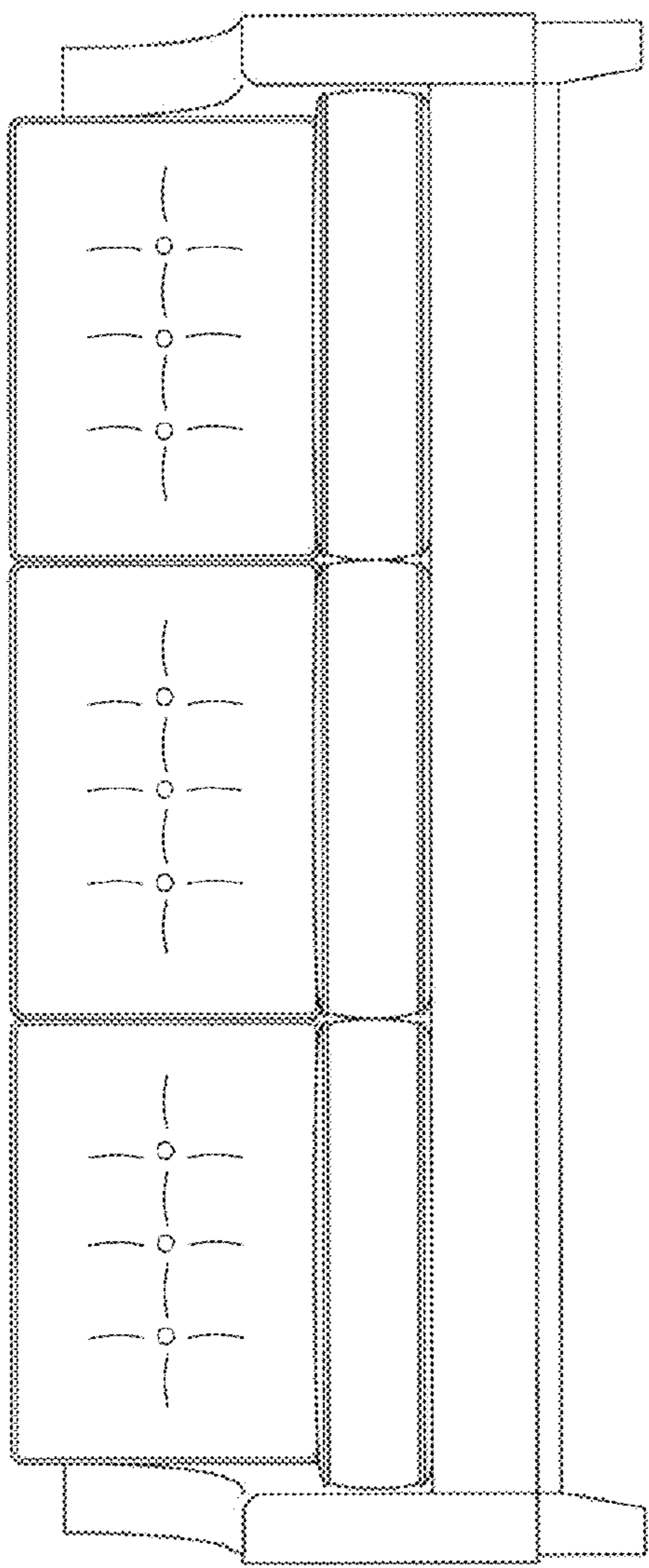


FIG. 15

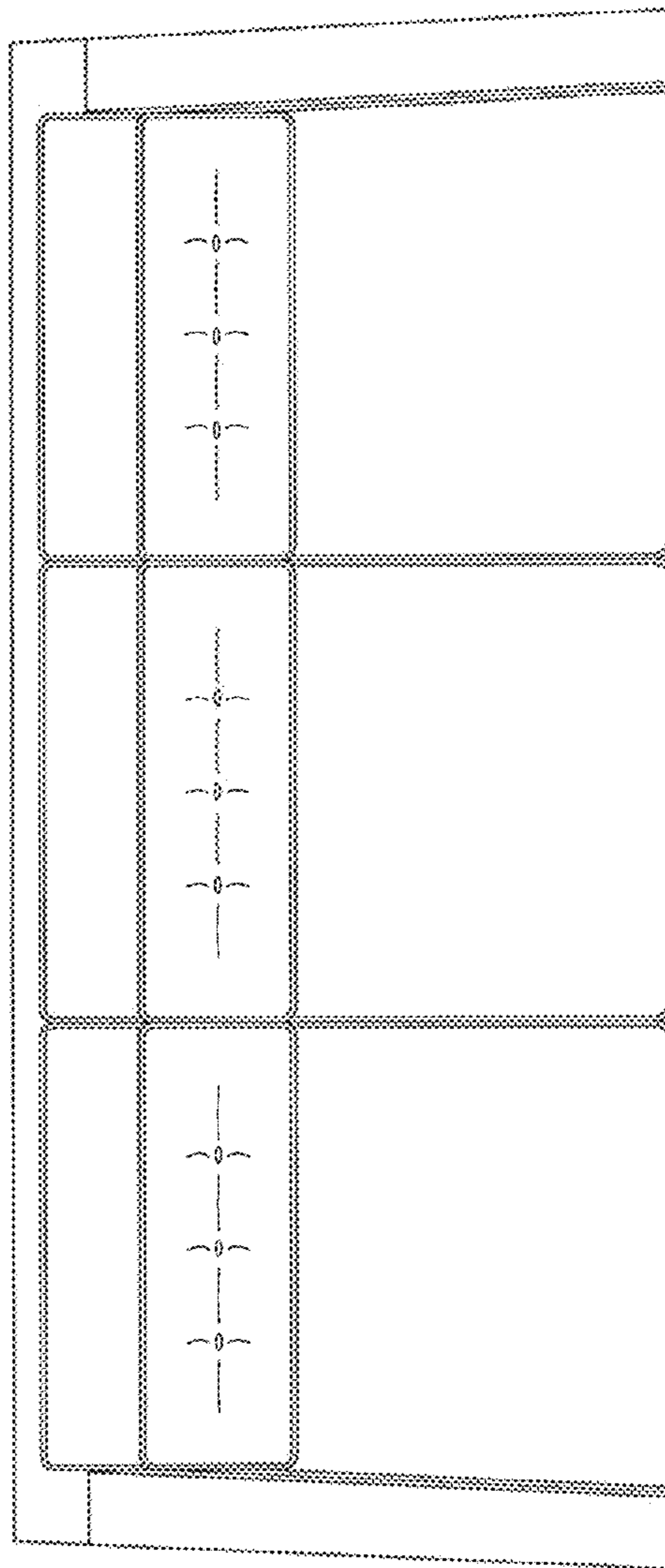


FIG. 16

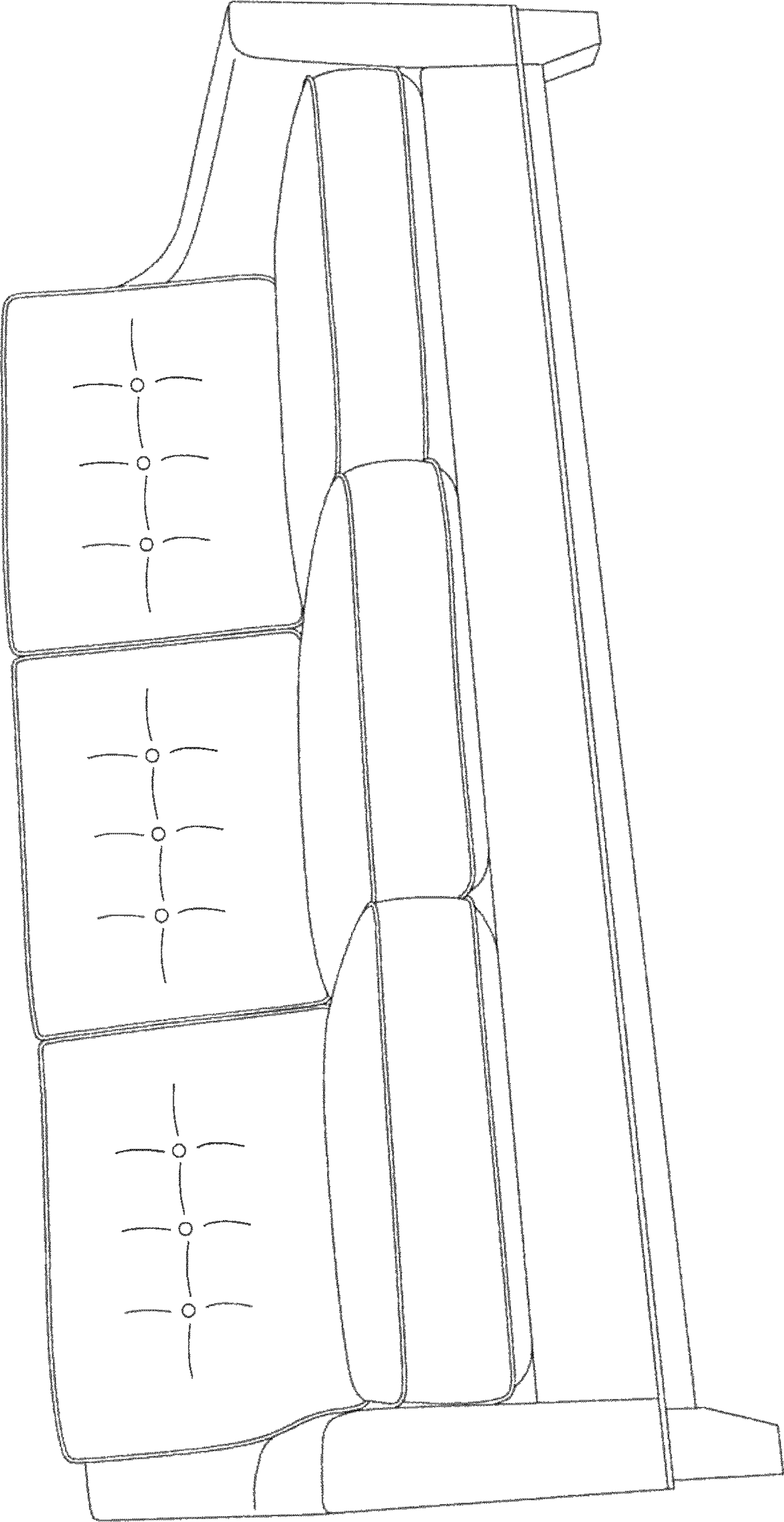


FIG. 17

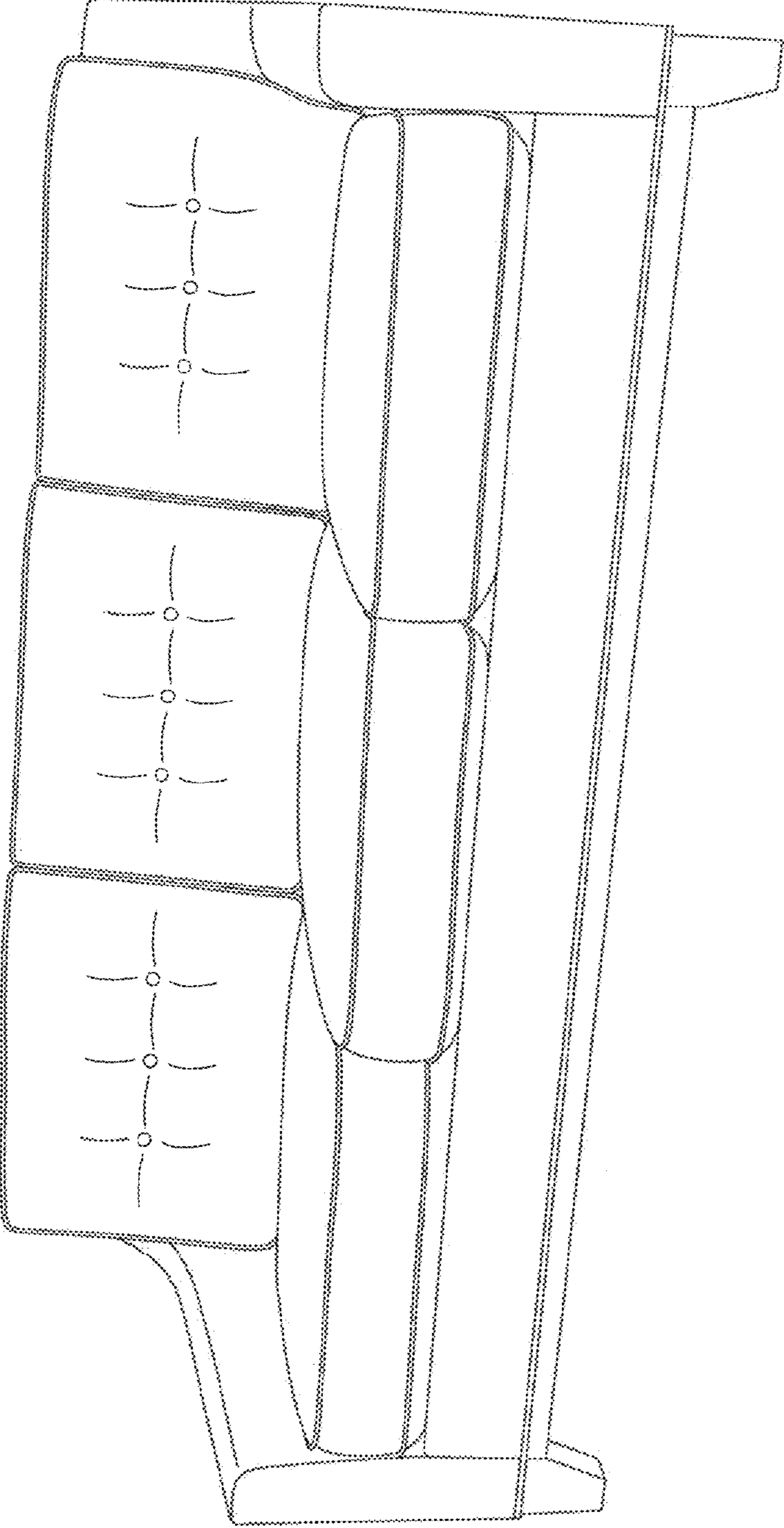


FIG. 18

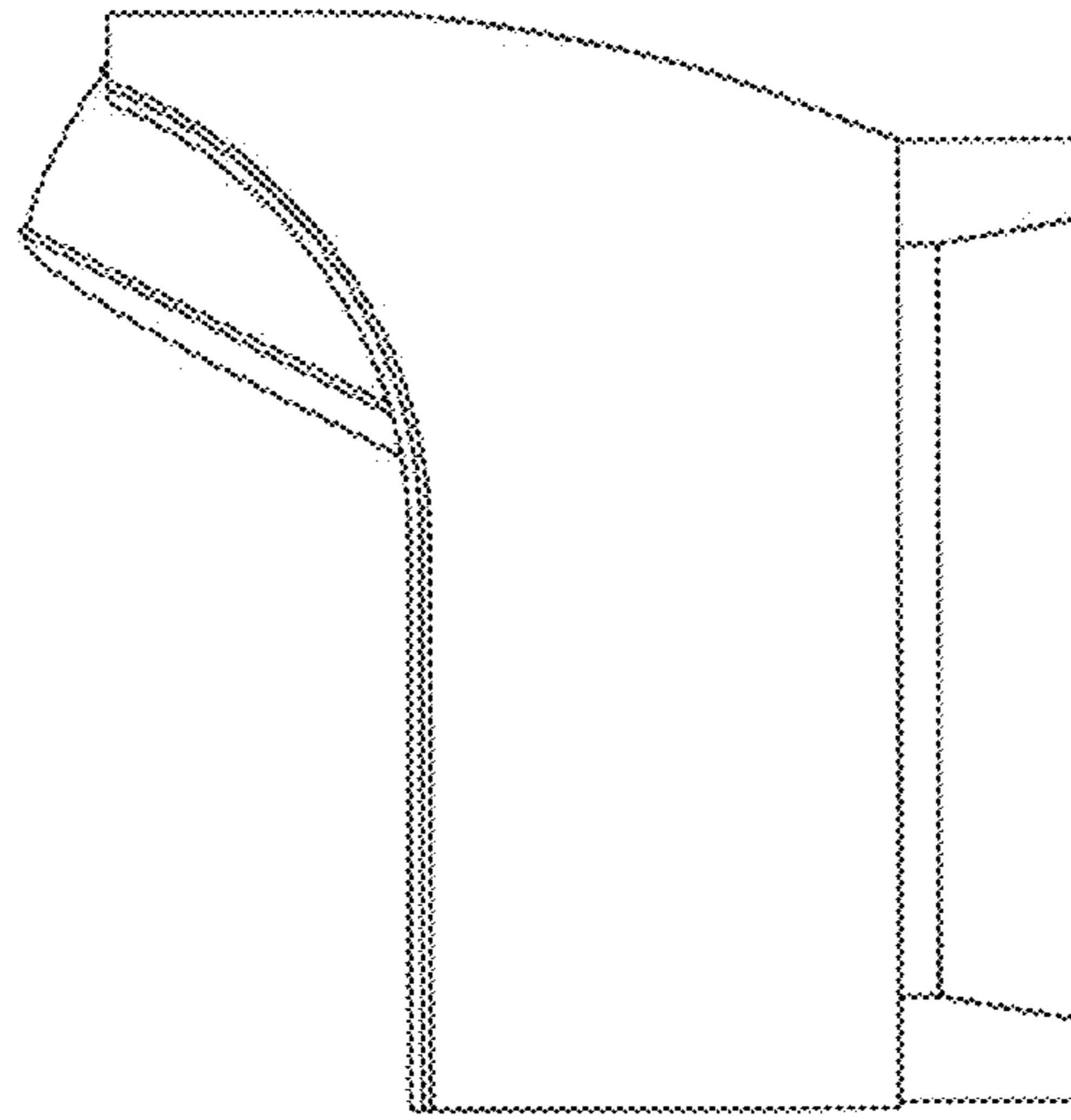


FIG. 20

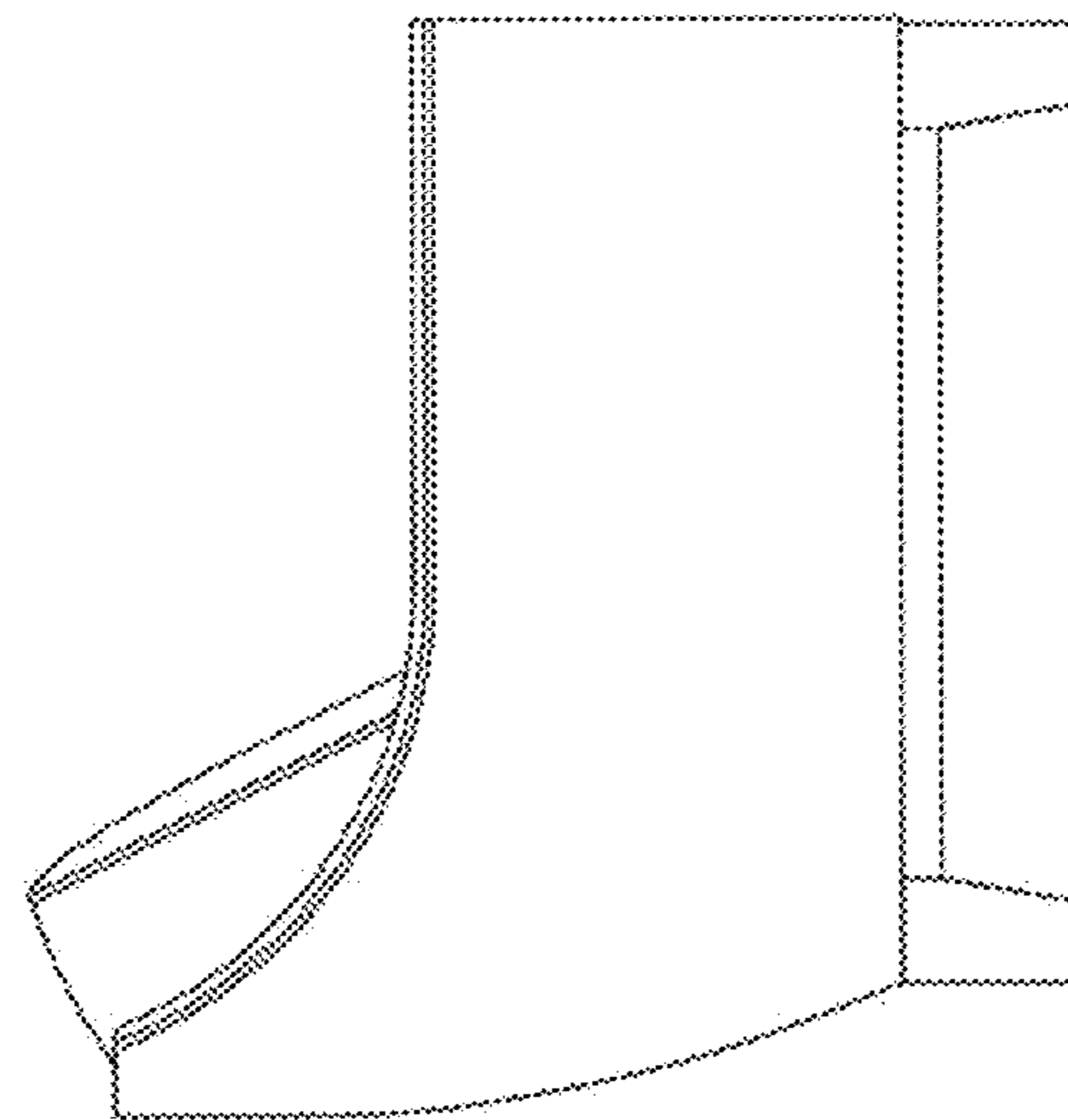


FIG. 19

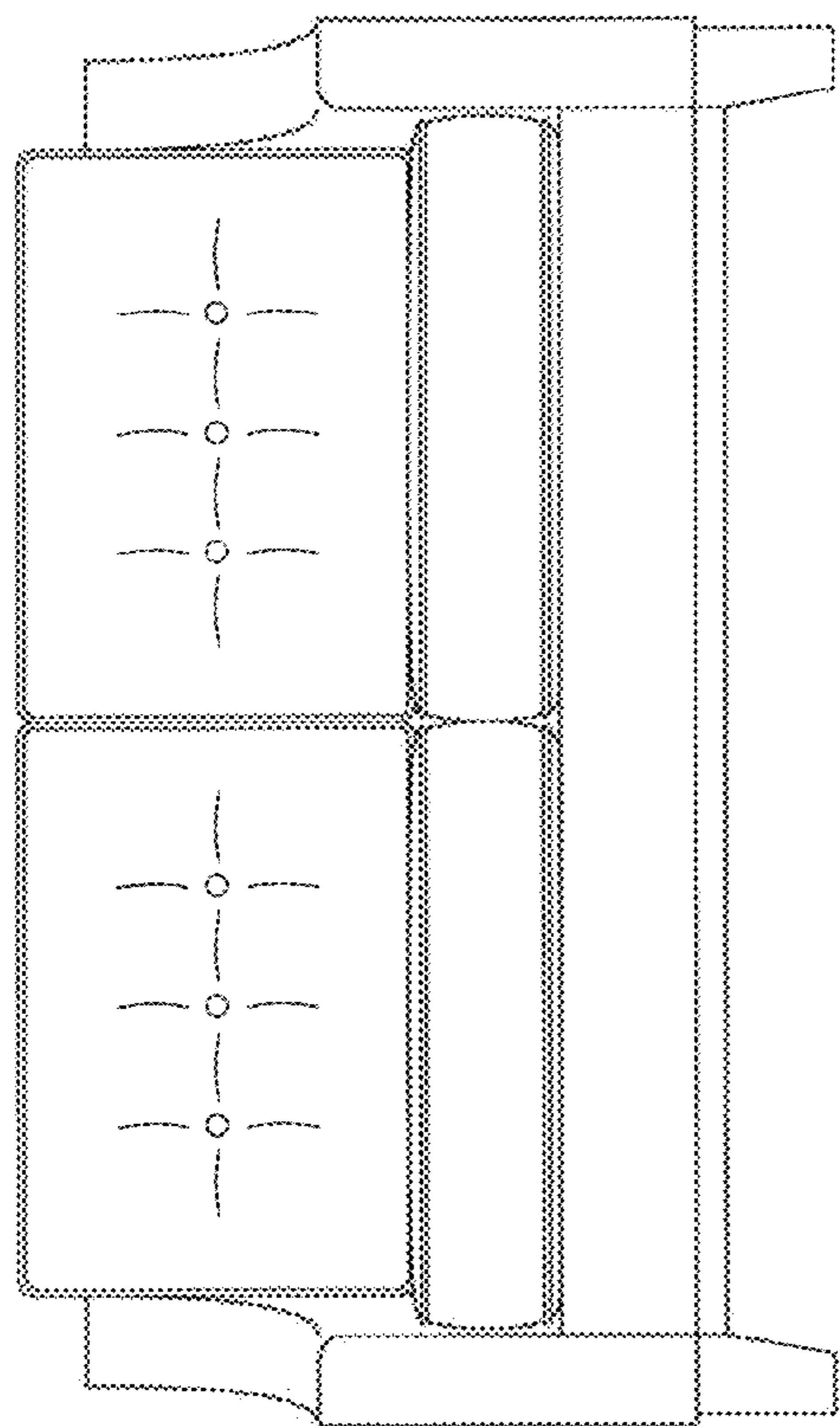


FIG. 21

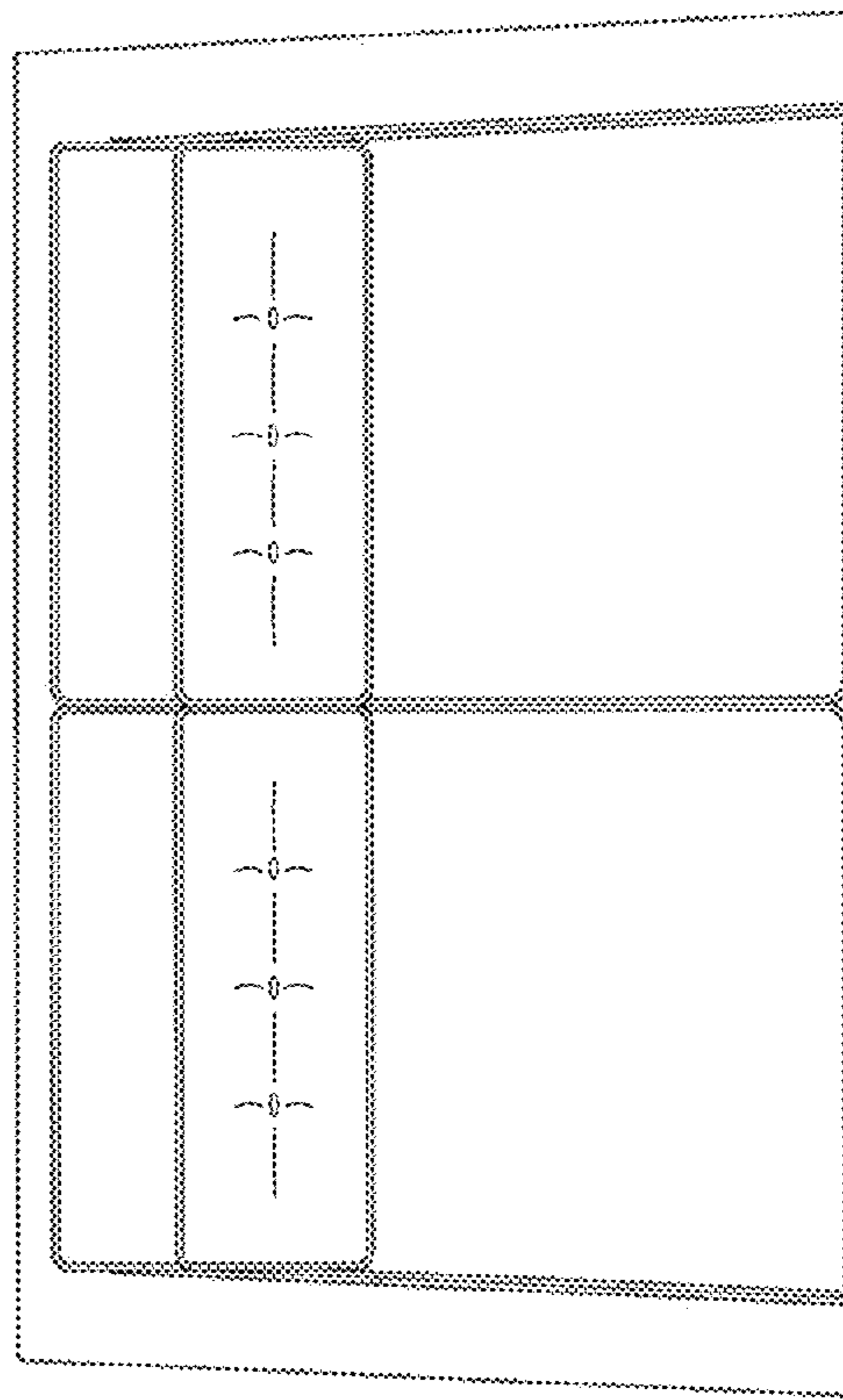


FIG. 22



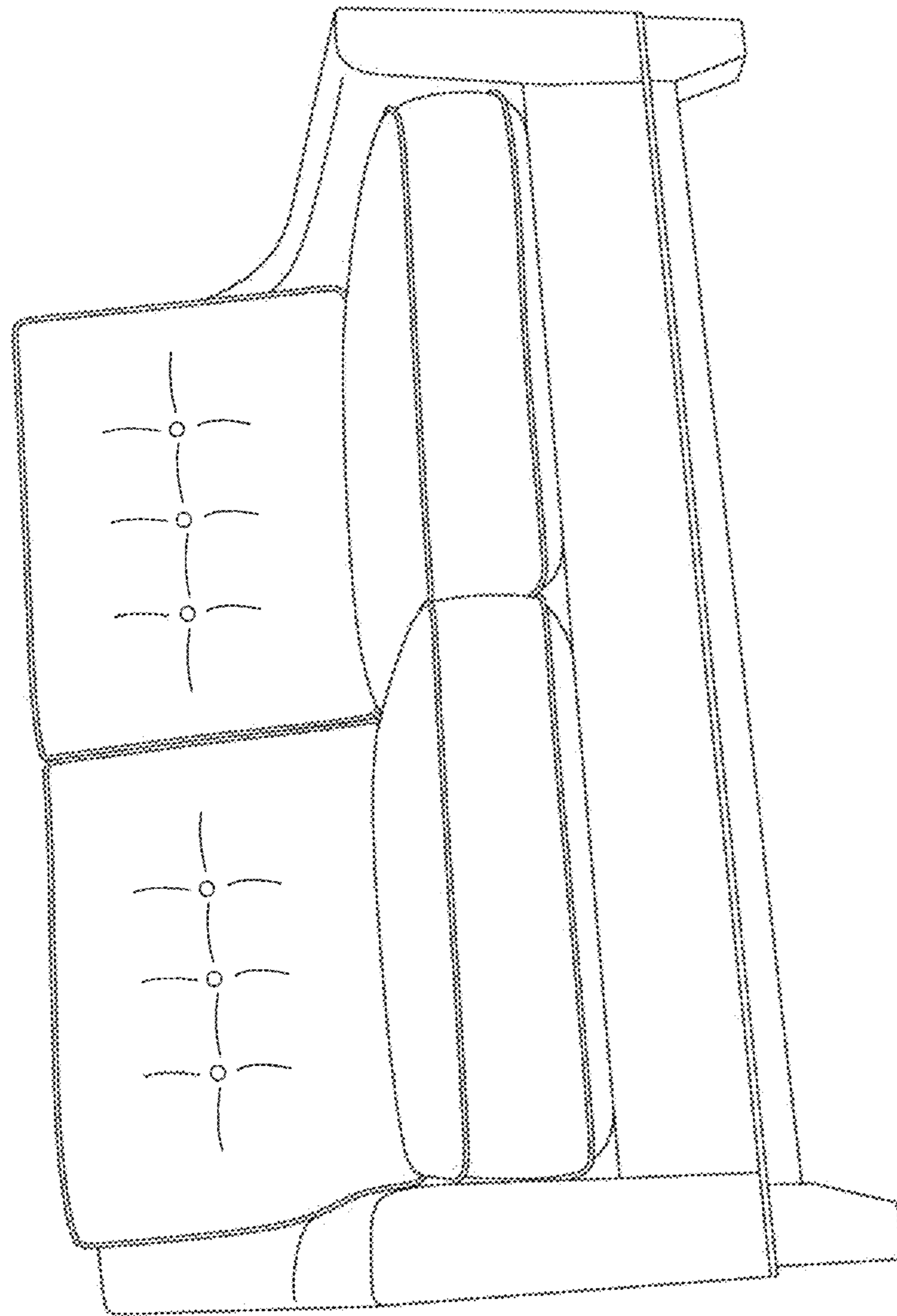


FIG. 23

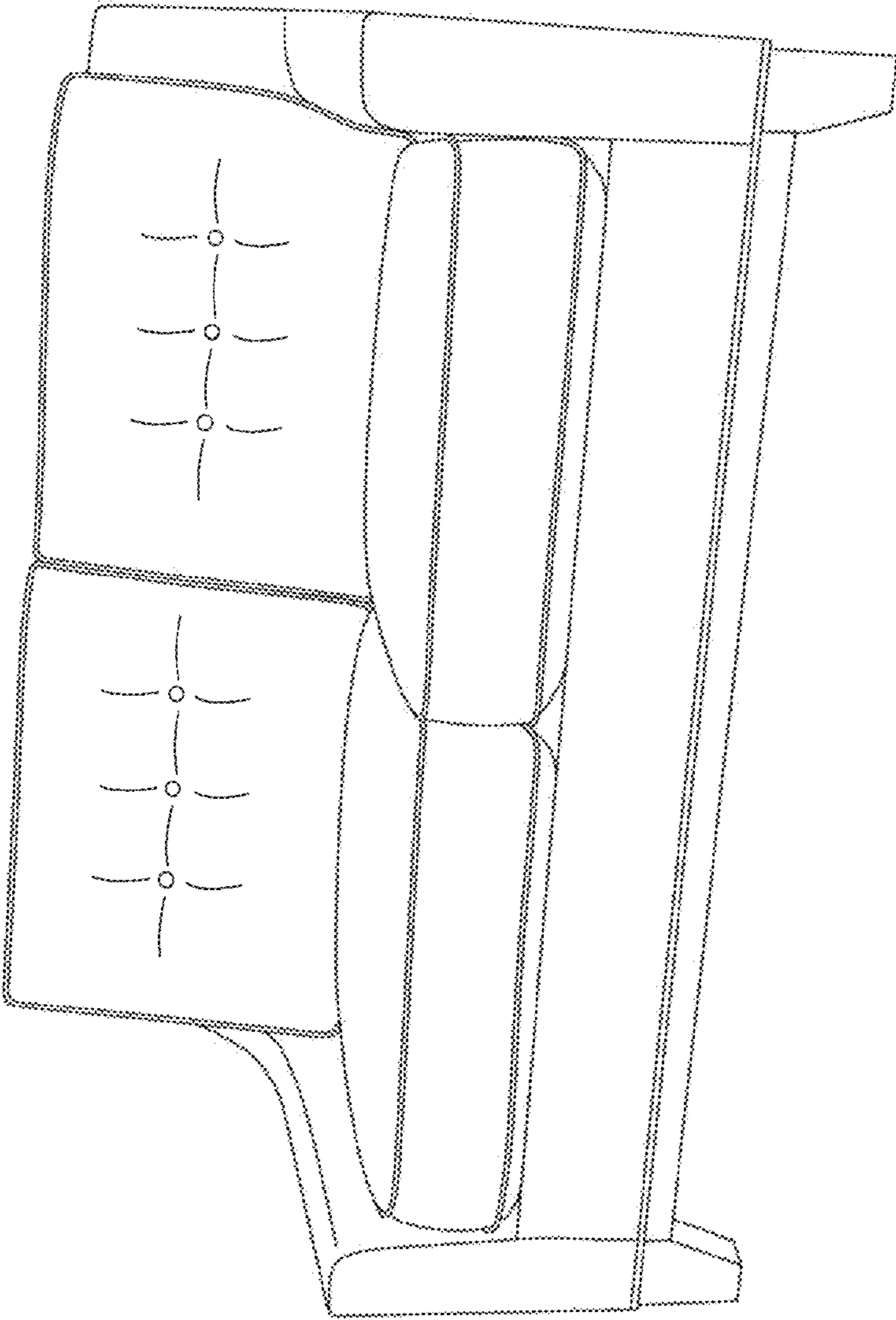


FIG. 24

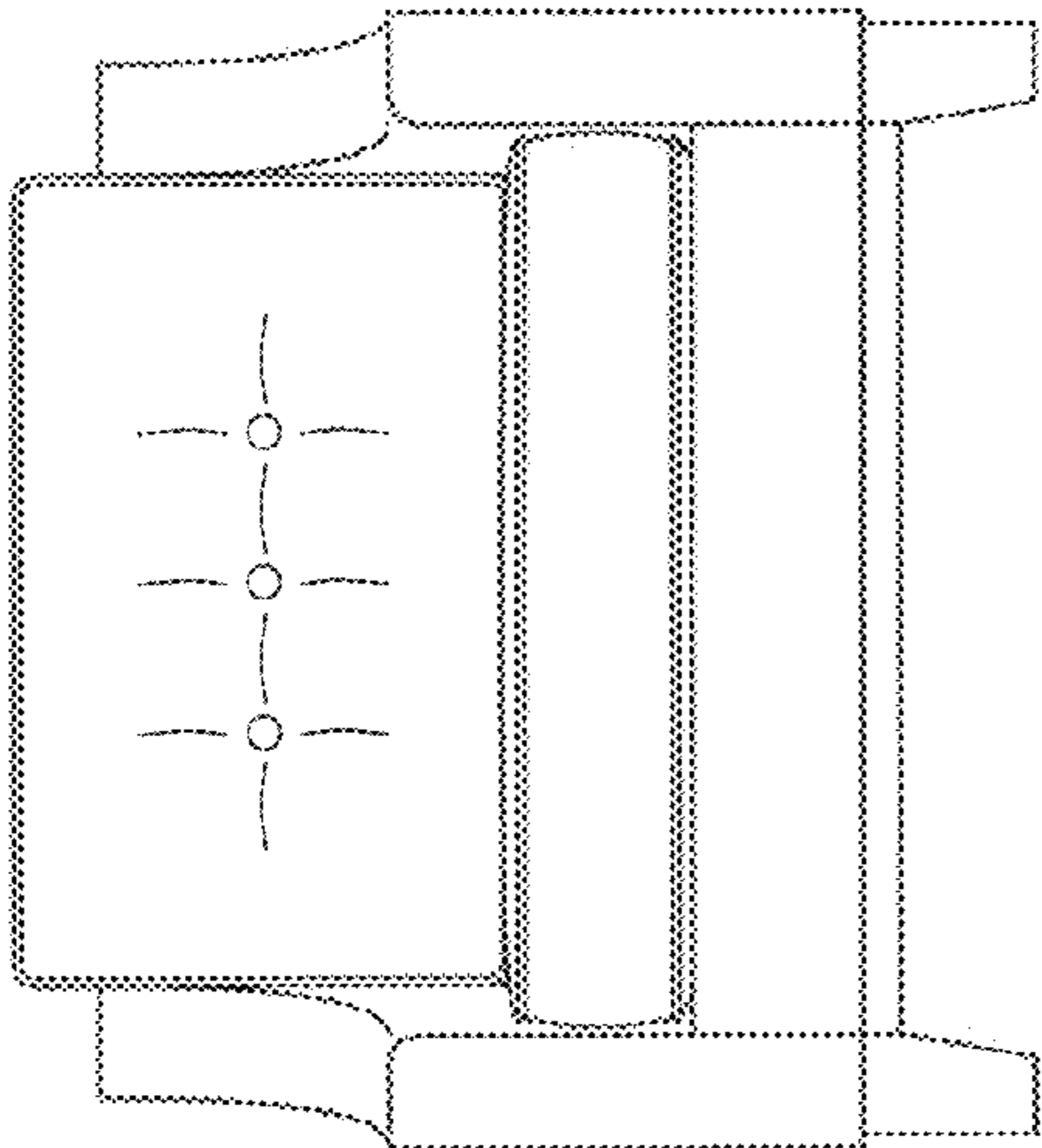


FIG. 25

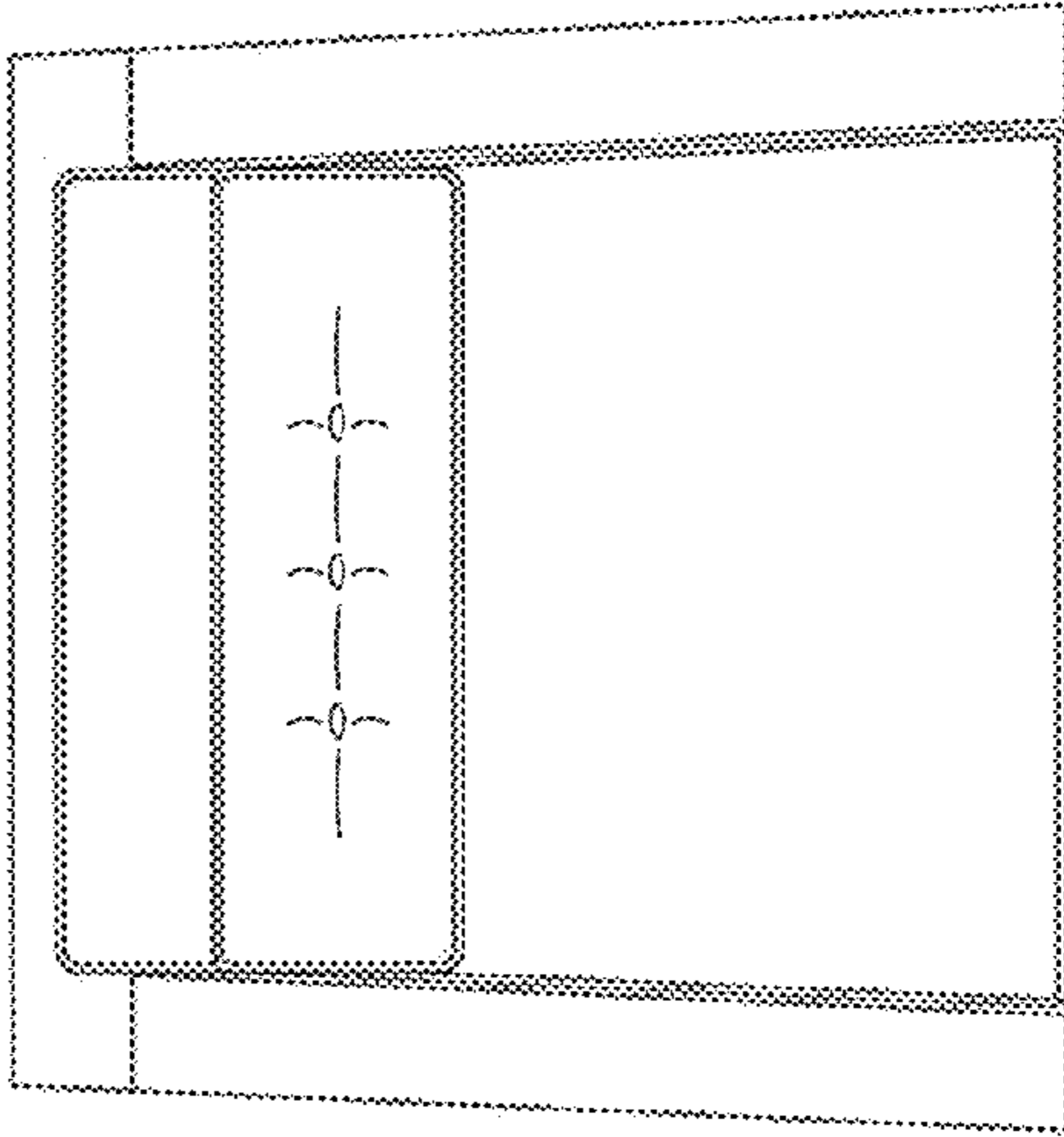


FIG. 26

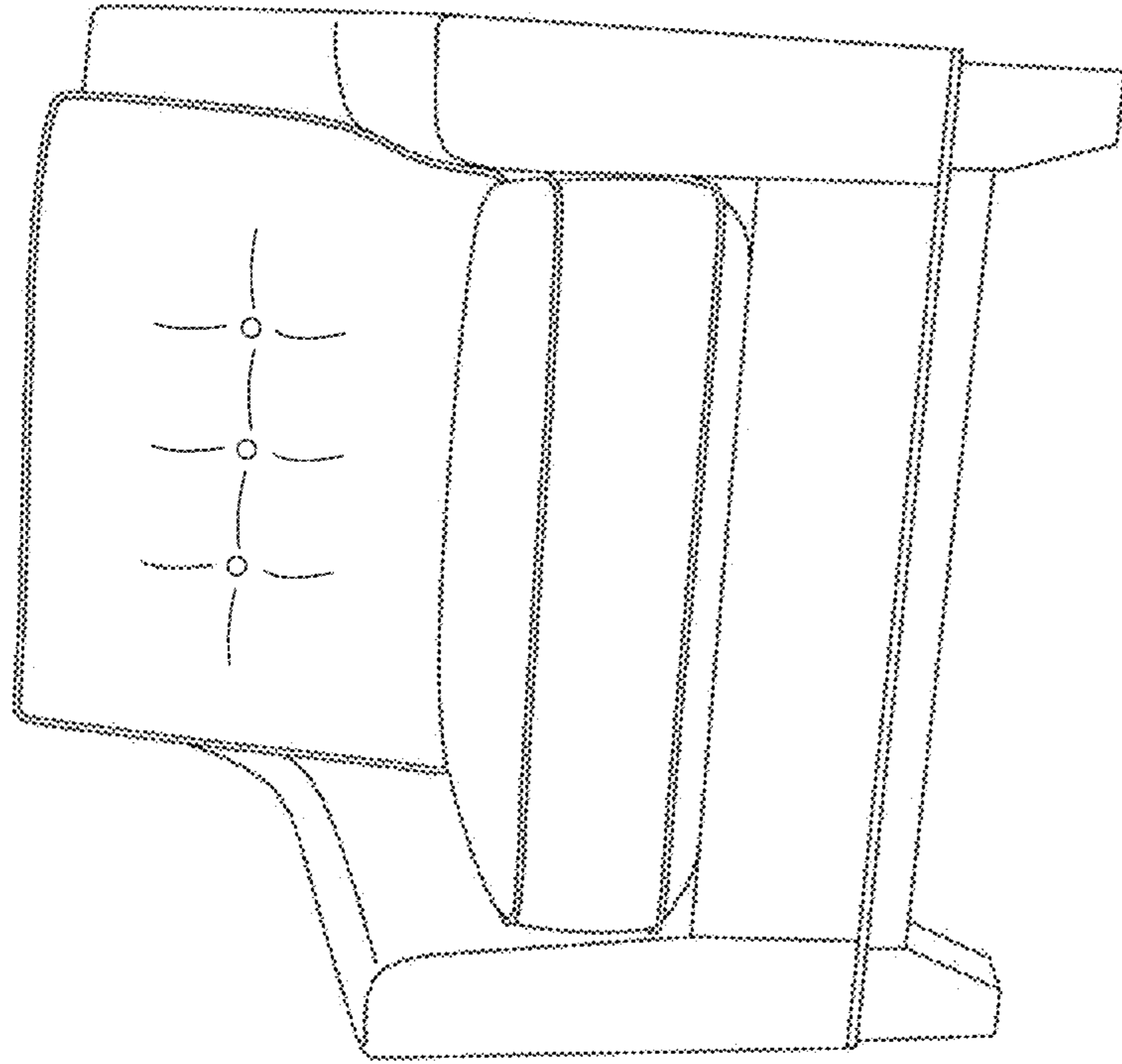


FIG. 28

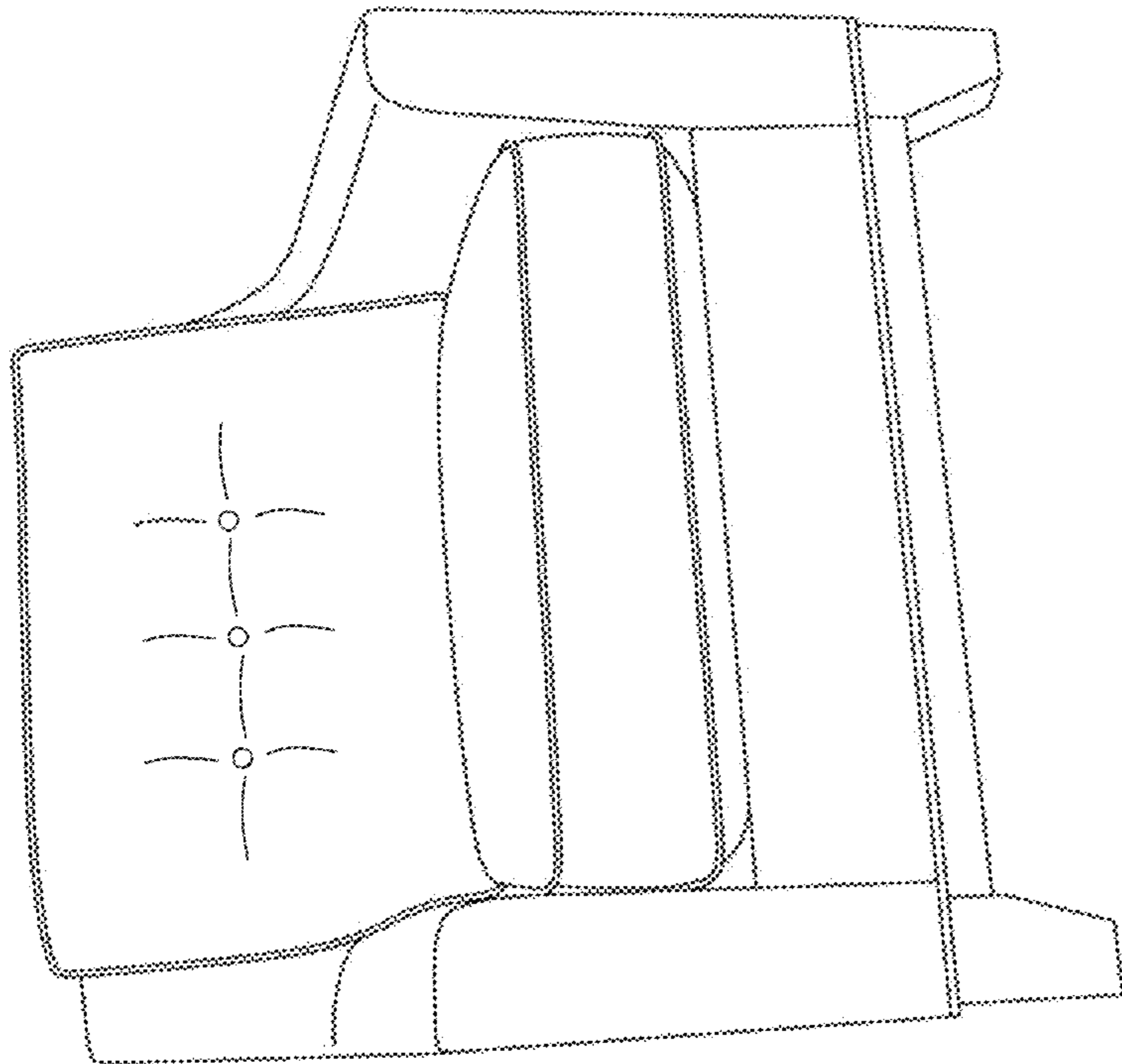


FIG. 27