



US00D718548S

(12) **United States Design Patent**
Shinall

(10) **Patent No.:** **US D718,548 S**
(45) **Date of Patent:** **** Dec. 2, 2014**

- (54) **BUNGEE CHAIR**
- (71) Applicant: **Blu Dot Design & Manufacturing, Inc.**,
Minneapolis, MN (US)
- (72) Inventor: **Jeff Shinall**, Minneapolis, MN (US)
- (73) Assignee: **Blu Dot Design & Manufacturing, Inc.**,
Minneapolis, MN (US)
- (**) Term: **14 Years**
- (21) Appl. No.: **29/491,576**
- (22) Filed: **May 22, 2014**
- (51) **LOC (10) Cl.** **06-01**
- (52) **U.S. Cl.**
USPC **D6/368**
- (58) **Field of Classification Search**
USPC D6/329, 334-336, 348-349, 363,
D6/366-369, 371-376, 379, 716,
D6/716.1-716.4; D21/797; 5/114;
297/16.1, 16.2, 31, 34, 45-47, 50, 54,
297/56, 271.6, 314, 411.41, 411.42, 440.11,
297/440.24, 448.1, 448.2, 451.4, 452.12,
297/452.13; 473/197, 431, 456; 482/28
See application file for complete search history.

2,930,430 A	3/1960	Bloom	
3,180,685 A	4/1965	Rogalski et al.	
3,656,808 A	4/1972	Chang	
3,694,030 A	9/1972	Grosfillex	
D287,909 S *	1/1987	Weiss	D6/329
D292,048 S	9/1987	Shaffer	
5,246,265 A *	9/1993	Nagan et al.	297/54
5,338,097 A	8/1994	Tan	
5,695,253 A	12/1997	Jenkins	
D427,797 S	7/2000	Tseng	
D429,303 S	8/2000	Peterson, Jr.	
6,134,727 A *	10/2000	Hwang	5/114
6,332,646 B1	12/2001	Tseng	
6,364,410 B1 *	4/2002	Tang	297/16.2
6,447,057 B1	9/2002	Chen	
6,554,717 B2	4/2003	Cho	

(Continued)

OTHER PUBLICATIONS

Advertisement from Target, "Woven Techniques Hard Goods", Interior Design Capsule, made publicly available by at least Feb. 27, 2012.

Primary Examiner — Ricky Pham

(74) *Attorney, Agent, or Firm* — Fredrikson & Byron, P.A.

(57) **CLAIM**

I claim the ornamental design for a bungee chair, as shown and described.

DESCRIPTION

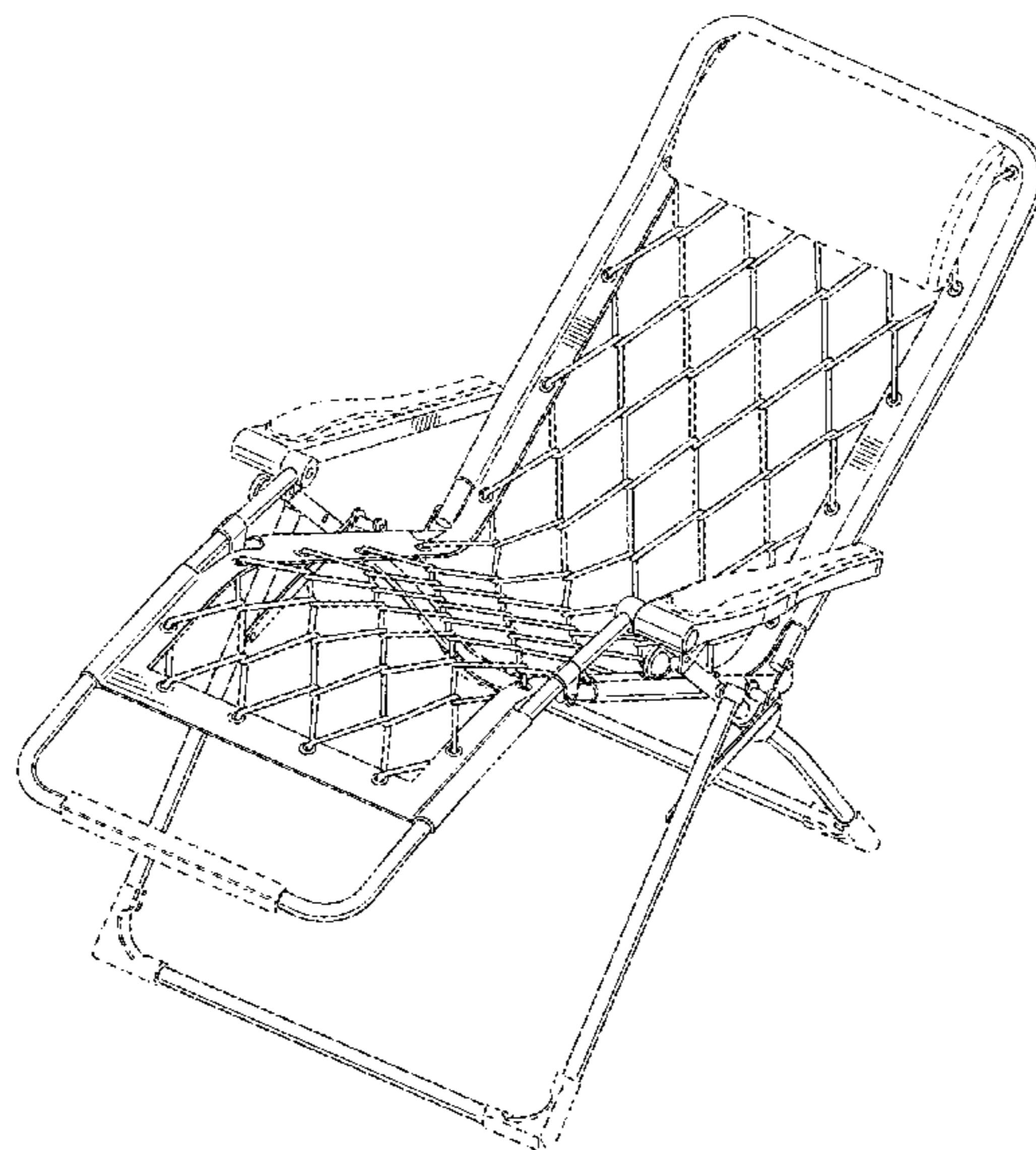
FIG. 1 is a perspective of my new design for a bungee chair; FIG. 2 is top thereof; FIG. 3 is a side view thereof; FIG. 4 is a bottom view thereof; FIG. 5 is an opposite side view thereof; FIG. 6 is a front view thereof; and, FIG. 7 is a rear view thereof. The broken lines shown in the drawings are for illustrative purposes only and form no part of the claimed design.

1 Claim, 6 Drawing Sheets

(56) **References Cited**

U.S. PATENT DOCUMENTS

2,590,049 A *	3/1952	Sidlinger	482/28
D168,212 S	11/1952	Cicchelli	
2,649,901 A *	8/1953	Johnson	297/411.42
D171,265 S	1/1954	Phillips	
2,684,709 A	7/1954	Schawinsky	
2,723,712 A	11/1955	Yellen	
2,733,755 A *	2/1956	Boucher	297/411.41
2,763,318 A *	9/1956	Bertoia	297/448.2
D179,376 S	12/1956	Breed	
D184,202 S	12/1958	Yuen	
2,916,744 A	12/1959	May et al.	



(56)

References Cited

U.S. PATENT DOCUMENTS

D475,860 S	6/2003	Yang	7,648,421 B2	1/2010	Yoon
6,702,371 B2	3/2004	Zheng	7,878,585 B2	2/2011	Salisbury
6,752,452 B2 *	6/2004	Choi et al. 297/16.2	D637,828 S	5/2011	Horn et al.
6,824,207 B1	11/2004	Lin	7,938,489 B2	5/2011	Nazari
D499,258 S	12/2004	Tseng	7,967,374 B2	6/2011	Akkad
6,840,573 B1	1/2005	Yao	D649,800 S	12/2011	Lievore et al.
6,848,740 B1	2/2005	Reese	D656,326 S	3/2012	Soewondo
D503,289 S	3/2005	Eyman et al.	D661,360 S *	6/2012	Campanaro et al. D21/797
6,877,814 B2	4/2005	Lin	8,282,509 B1	10/2012	Michaelson et al.
6,883,862 B1	4/2005	Yao	D677,920 S	3/2013	Christakos
D507,121 S	7/2005	Eyman	D681,970 S	5/2013	Christakos
D507,616 S	7/2005	Simpson	D683,156 S	5/2013	Christakos
D507,891 S	8/2005	Eyman et al.	D688,057 S	8/2013	Christakos
6,938,951 B1	9/2005	Tseng	D691,384 S	10/2013	Akkad
6,939,241 B1	9/2005	Chang	D701,703 S	4/2014	Aiello
6,957,852 B1	10/2005	Hsieh	D703,460 S *	4/2014	Kreuzer et al. D6/368
6,971,712 B1	12/2005	Tseng	2001/0009871 A1	7/2001	Cho
7,000,983 B1	2/2006	Tsai	2002/0145326 A1 *	10/2002	Liu 297/440.11
D516,330 S	3/2006	Ruiter	2002/0183128 A1	12/2002	Cho
7,011,372 B1	3/2006	Hsieh	2003/0008721 A1	1/2003	Macaluso
7,144,078 B2	12/2006	Hsieh	2003/0060309 A1	3/2003	Smith
7,178,864 B2	2/2007	Hsieh	2003/0078111 A1	4/2003	Wenzler
7,264,245 B2	9/2007	Cho	2003/0168900 A1	9/2003	Poli
D554,873 S	11/2007	Ma	2003/0234561 A1	12/2003	Zheng
D555,378 S	11/2007	Tsai	2004/0034929 A1 *	2/2004	Hwang 5/114
7,311,617 B2	12/2007	Langhorn	2004/0245810 A1	12/2004	Tseng
D565,310 S	4/2008	Marin et al.	2005/0088018 A1	4/2005	Yao
D571,572 S	6/2008	Tseng	2006/0232108 A1	10/2006	Hsieh
7,401,785 B1	7/2008	Waite	2006/0249991 A1	11/2006	Hsieh
7,404,601 B2	7/2008	Chen	2007/0052178 A1	3/2007	Cottrell
7,540,259 B2	6/2009	Pape et al.	2007/0063550 A1	3/2007	Lin
D608,104 S	1/2010	Vonnegut	2007/0187897 A1	8/2007	Dilling
			2007/0187998 A1	8/2007	Chen
			2010/0164256 A1	7/2010	Salisbury
			2011/0043003 A1	2/2011	Akkad

* cited by examiner

Fig. 1

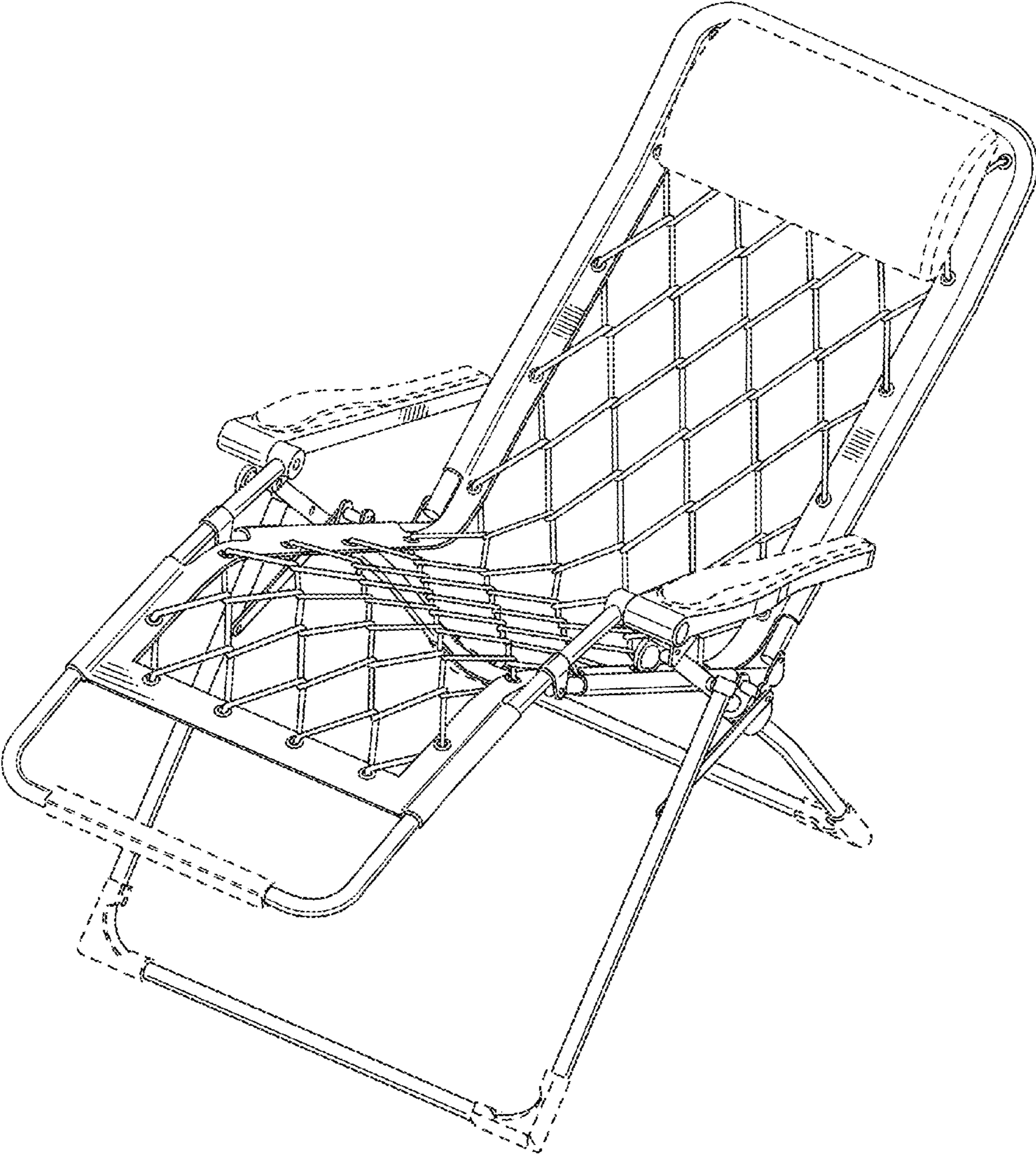


Fig. 2

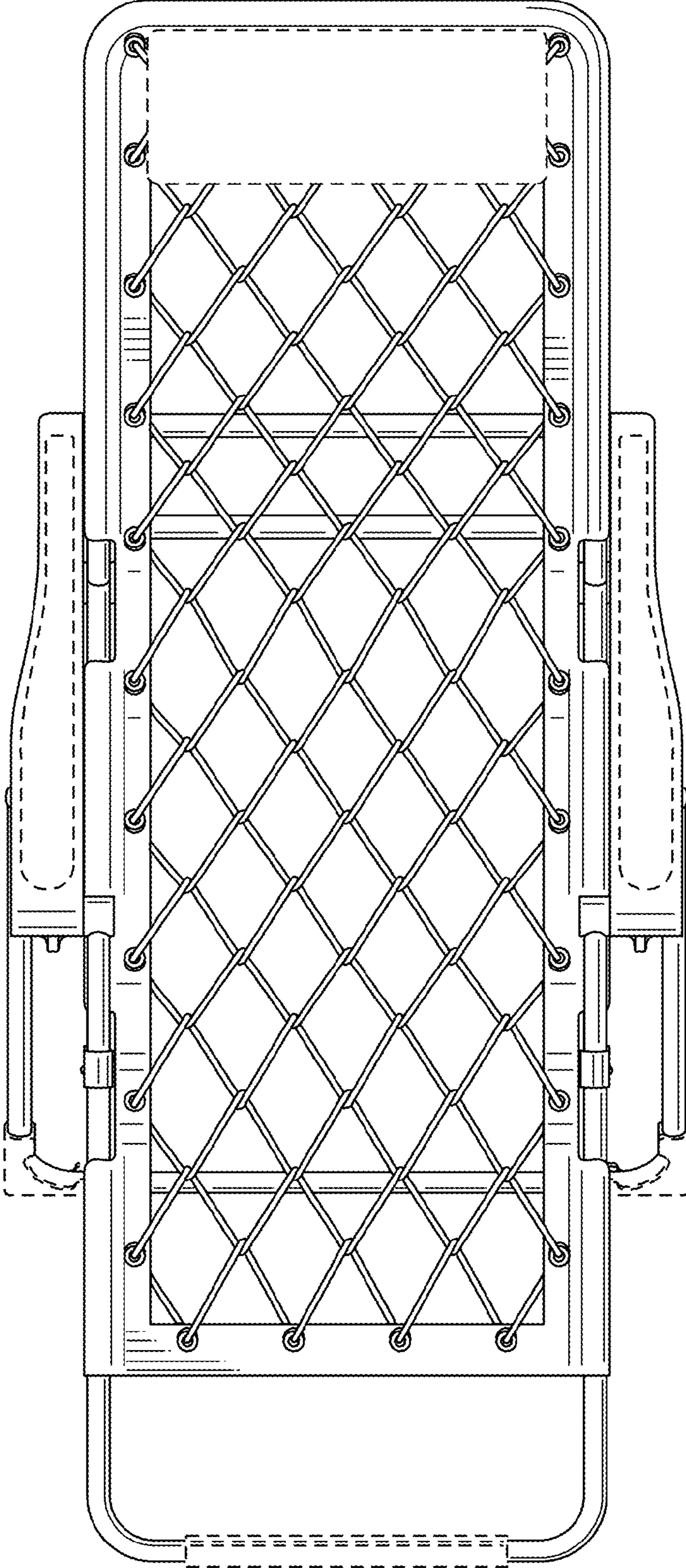


Fig. 3

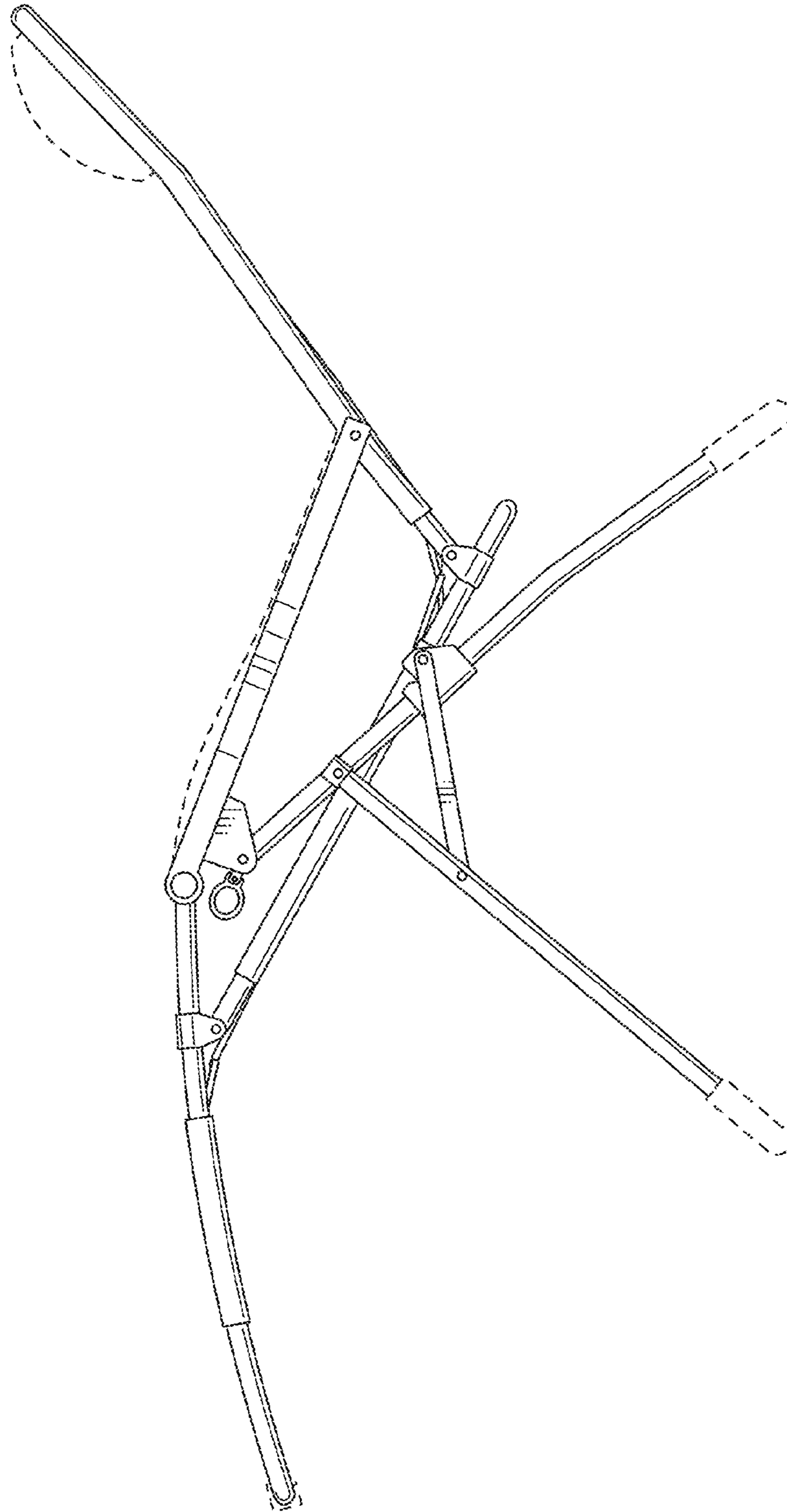


Fig. 4

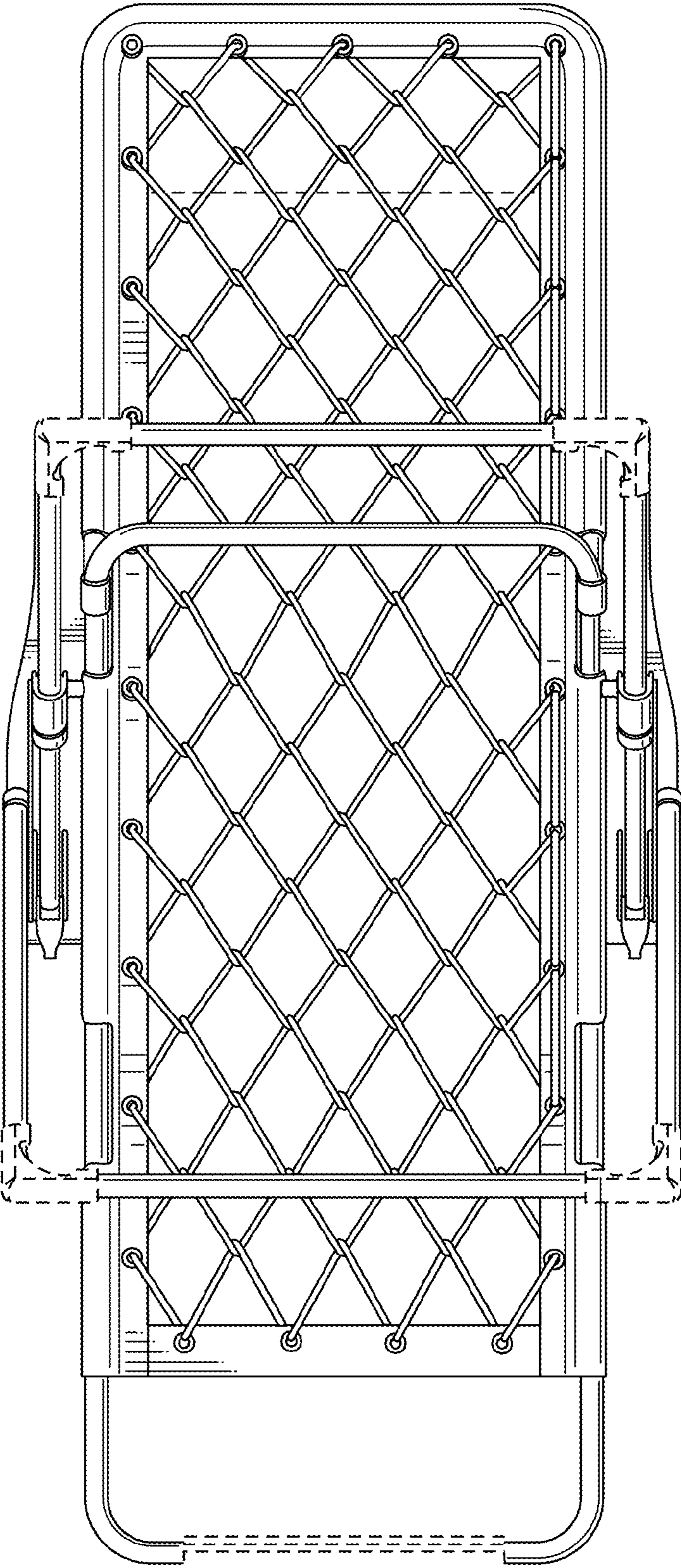


Fig. 5

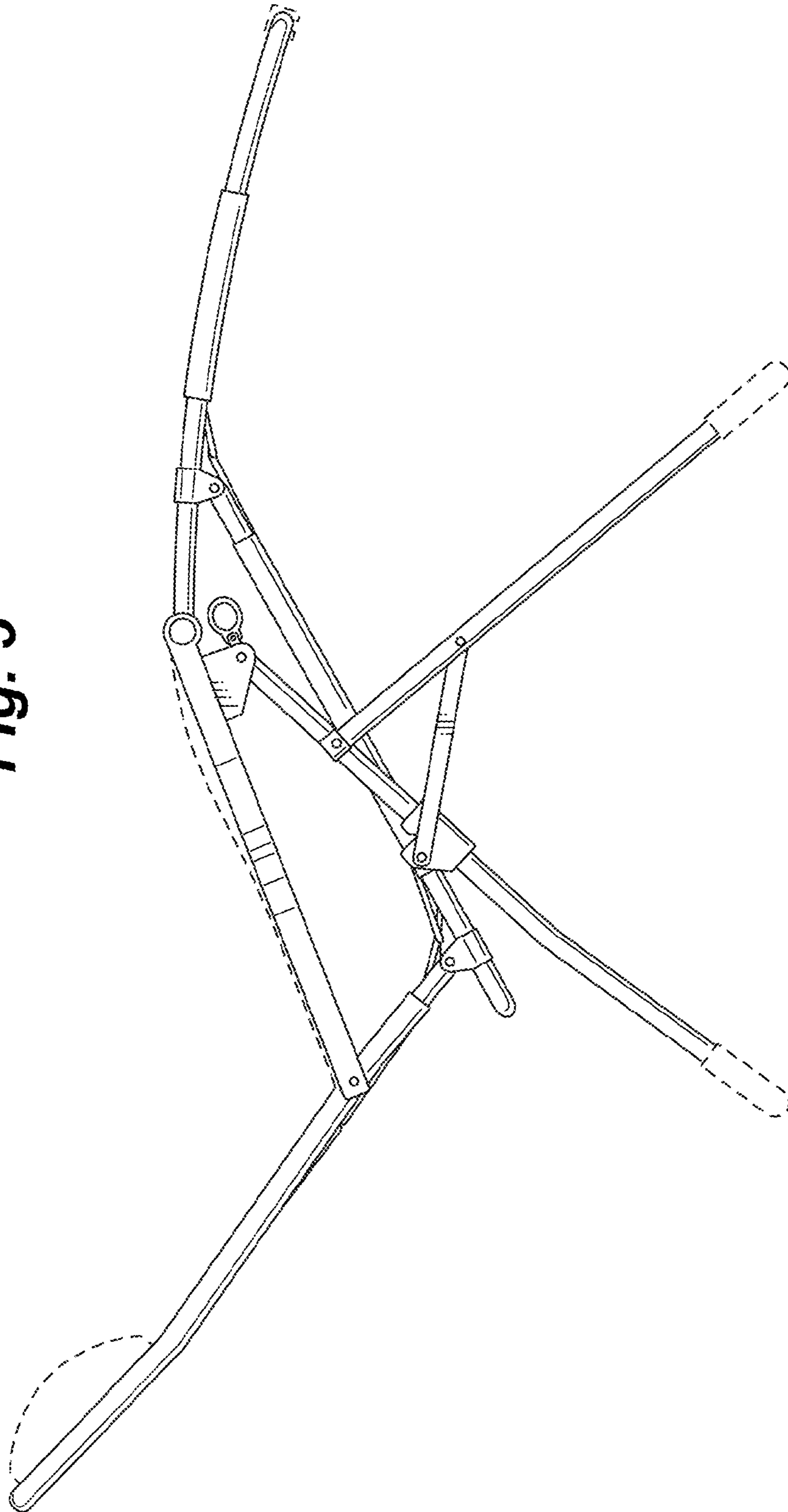


Fig. 6

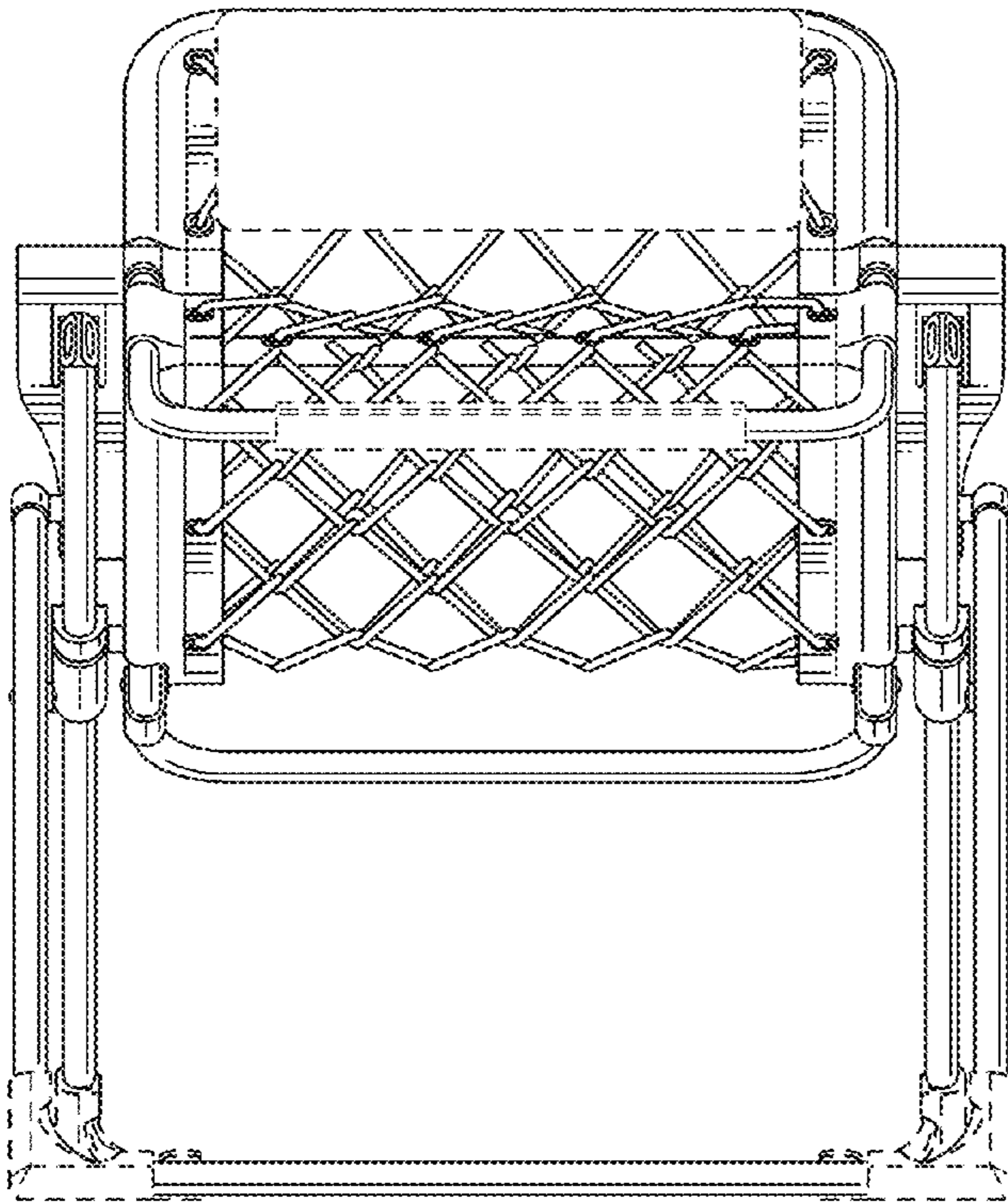


Fig. 7

